

MSM7661**NTSC/PAL Digital Video Decoder****GENERAL DESCRIPTION**

The MSM7661 is an LSI device which converts digitally sampled NTSC or PAL video signals to 8-bit digital data based on ITU-RBT601.

The input video signals available are composite video signals and S video signals.

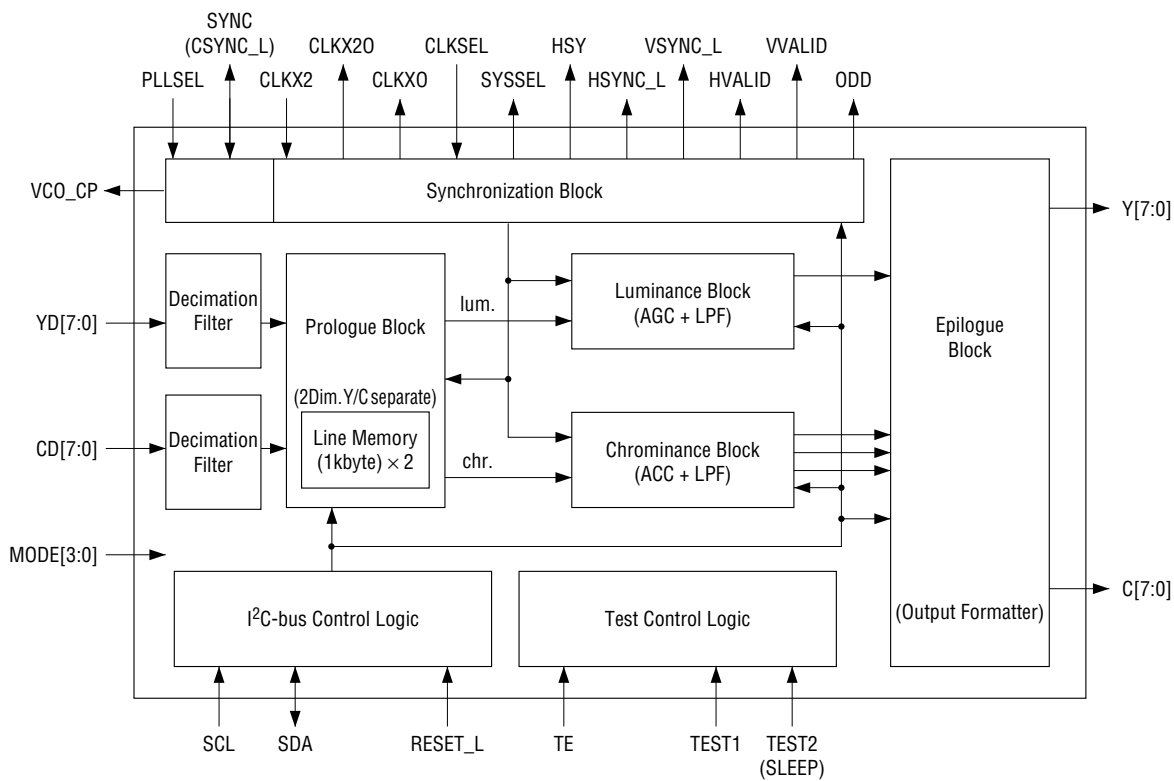
The composite video signals are converted to YUV data via a 2-dimensional Y/C separation circuit.

The A-to-D converted data is data sampled at pixel clock frequency or double pixel clock frequency (the built-in decimation filter is used). Input signal synchronization can lock synchronization and color burst at high speed through internal digital processing.

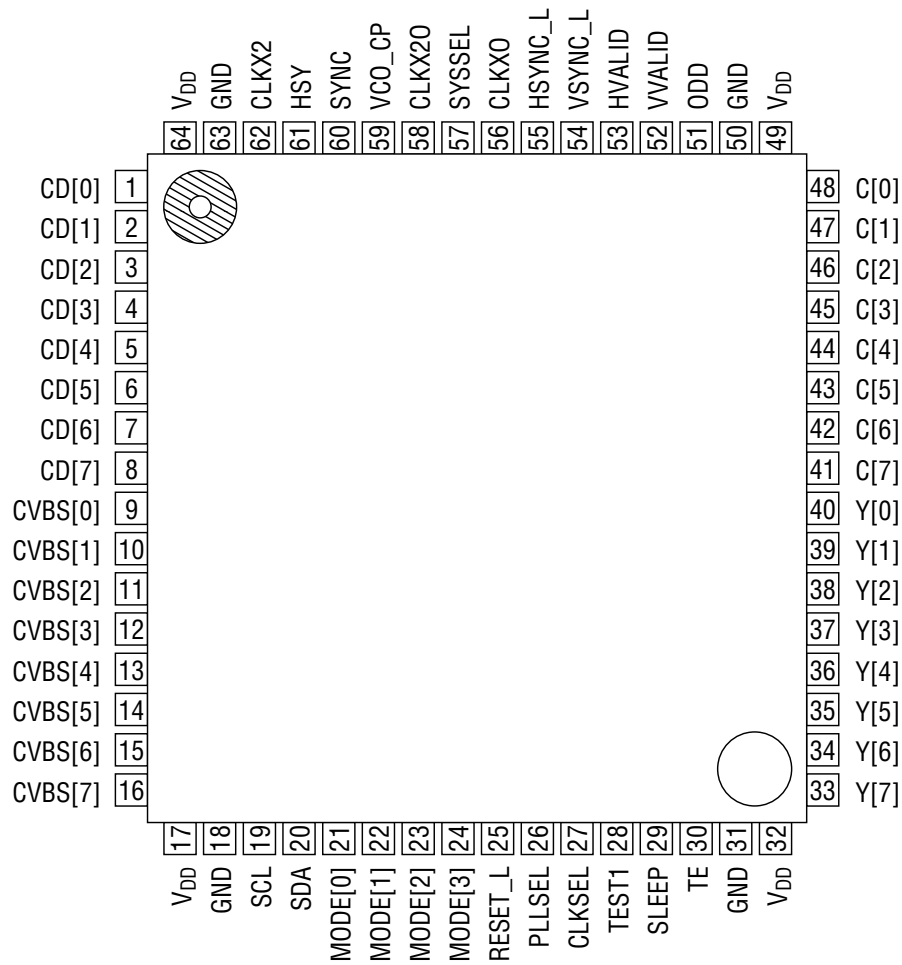
FEATURES (• indicates a new feature compared with MSM7660)

- Input video signals include the following two types of digital data that are A-to-D converted at pixel frequency or double pixel frequency :
 - NTSC/PAL composite video signal
 - NTSC/PAL S video signal
- 8-bit Y/8-bit C (CbCr) output (conforms to ITU-RBT601)
 - YCbCr 4 : 2 : 2
 - YCbC4 : 1 : 1
- 2-dimensional Y/C separation using adaptive comb filter (this filter is bypassed for S video signal input)
 - NTSC: 3 lines/2 lines
 - PAL: 2 lines (3 virtual lines)
- Input signal synchronization can lock synchronization and color burst at high speed through internal digital processing.
- Sampling frequency
 - 13.5 MHz (ITU-R601)
 - 12.27 MHz (NTSC Square Pixel)
 - 14.31818 MHz (NTSC 4Fsc)
 - 14.75 MHz (PAL Square Pixel)
- Internal AGC/ACC circuit
 - Switchable between AGC and MGC (fixed gain)
- Built-in decimation filter located in the input stage allows easy configuration of an external filter circuit (located ahead of A/D converter).
- Automatic NTSC/PAL recognition (only for ITU-RBT.601)
- Sleep mode
- Multiplex signal recognition (Teletext)
 - Data during vertical blanking is output in 8 bits in Through mode.
- I²C-bus interface
- 3.3 V single power supply (each I/O pin is 5 V tolerable)
- Package:
 - 64-pin plastic QFP (QFP64-P-1414-0.80-BK) (Product name: MSM7661GS-BK)

BLOCK DIAGRAM



PIN CONFIGURATION (TOP VIEW)



64-Pin Plastic QFP

Pin	Symbol	Type	Description
33 to 40	Y[7 to 0]	0	Chrominance signal output pins
41 to 48	C[7 to 0]	0	Luminance signal output pins
49	V _{DD}		
50	GND		
51	ODD	0	Field display output pin Outputs "H" for odd field.
52	VVALID	0	Vertical valid line timing output pin
53	HVALID	0	Horizontal valid pixel timing output pin
54	VSYNC_L	0	V sync output pin
55	HSYNC_L	0	H sync output pin
56	CLKX0	0	Internal operation clock output pin
57	SYssel	0	Display select output pin for NTSC-PAL detect / multiplex signal detect / HLOCK sync detect. Selection by register. (Default : NTSC-PAL detect) NTSC mode : "L", PAL mode : "H" Multiplex signal detect : "H" HLOCK sync detect : "H"
58	CLKX20	0	Clock output pin
59	VCO_CP	0	Unused. Open normally.
60	SYNC	I/O	Composite sync output. Unused as input pin.
61	HSY	0	Clamp signal timing output pin for A/D converter
62	CLKX2	I	Clock input pin
63	GND		
64	V _{DD}		

ABSOLUTE MAXIMUM RATINGS

Parameter	Symbol	Condition	Rating	Unit
Power Supply Voltage	V_{DD}	—	-0.3 to +4.5	V
Input Voltage	V_I	—	-0.3 to +5.5	V
Power Consumption	P_W	—	800	mW
Storage Temperature	T_{STG}	—	-55 to +150	°C

RECOMMENDED OPERATING CONDITIONS

Parameter	Symbol	Condition	Min.	Typ.	Max.	Unit
Power Supply Voltage	V_{DD}	—	3.0	3.3	3.6	V
Power Supply Voltage	GND	—	—	0	—	V
"H" Level Input Voltage	V_{IH}	—	2.2	—	V_{DD}	V
"L" Level Input Voltage	V_{IL}	—	0	—	0.8	V
Operating Temperature	T_a	—	0	25	70	°C

ELECTRICAL CHARACTERISTICS

DC Characteristics

(Ta = 0 to 70°C, V_{DD} = 3.3 V ±0.3 V)

Parameter	Symbol	Condition	Min.	Typ.	Max.	Unit
"H" Level Output Voltage	V _{OH}	I _{OH} = -4 mA (*1)	0.7 V _{DD}	—	—	V
		I _{OH} = -6 mA (*2)				
		I _{OH} = -8 mA (*3)				
"L" Level Output Voltage	V _{OL}	I _{OL} = 4 mA (*1)	—	—	0.4	V
		I _{OL} = 6 mA (*2)				
		I _{OL} = 8 mA (*3)				
Input Leak Current	I _I	V _I = GND to V _{DD}	-10	—	+10	μA
		R _{pull-down} = 50 kΩ (*4)	20	—	250	
Output Leak Current	I _O	V _I = GND to V _{DD}	-10	—	+10	μA
Power Supply Current (operating)	I _{DD0}	CLK = 27 MHz V _{DD} = 3.3 V	—	140	180	mA
Power Supply Current (operating)	I _{DD02}	CLK = 13.5 MHz V _{DD} = 3.3 V	—	110	150	mA
Power Supply Current (SLEEP)	I _{DDS}	SLEEP ON	—	1	5	mA
SDA Output Voltage	SDA _{V_L}	—	0	—	0.4	V
SDA Output Current	SDA _{I_O}	—	3	—	—	mA

*1: HSYNC_L, VSYNC_L, SYSSEL

*2: Y[7:0], C[7:0], HSY, HVALID, VVALID, ODD, CLKXO

*3: CLKX2O

*4: MODE[3:0], SLEEP, TEST1, TE

AC Characteristics (Single Speed Mode)

(Ta = 0 to 70°C, V_{DD} = 3.3 V ±0.3 V)

Parameter	Symbol	Condition	Min.	Typ.	Max.	Unit
CLKX2 Cycle Time	t _{CLKX1}	ITU-R601	—	74.07	—	ns
		NTSC 4Fsc	—	69.84	—	ns
		NTSC Square Pixel	—	81.5	—	ns
		PAL Square Pixel	—	67.8	—	ns
CLKX2 Duty	t _{D_D1}	—	40	—	60	%
Input Data Setup Time	t _{IS1}	CLKSEL : H	0	—	—	ns
Input Data Hold Time	t _{IH1}	CLKSEL : H	30	—	—	ns
Output Data Delay Time 1 (*)	t _{ODX1}	CLKSEL : H	2	—	8	ns
Output Data Delay Time 2 (*)	t _{OD2X1}	CLKSEL : H	2	—	7	ns
Output Data Delay Time 3 (*)	t _{OD1}	CLKSEL : H	9	—	25	ns
Output Clock Delay Time (*) (External)	t _{CXD1}	CLKSEL : H	7	—	17	ns
Output Clock Delay Time (*) (Internal)	t _{CD1}	CLKSEL : H	7	—	18	ns
SCL Clock Cycle Time	t _{C_SCL}	Rpull_up = 4.7 kΩ	200	—	—	ns
Low Level Cycle	t _{L_SCL}	Rpull_up = 4.7 kΩ	100	—	—	ns

(* output load 40 pF)

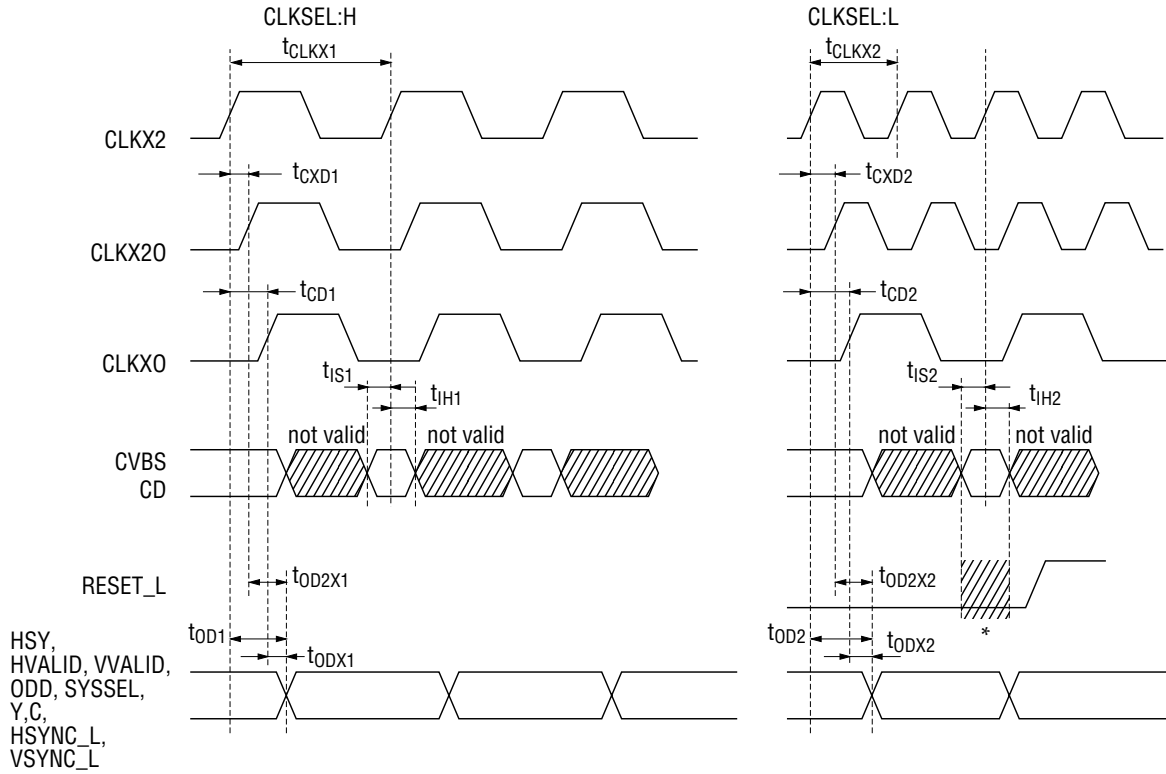
AC Characteristics (Double Speed Mode)

(Ta = 0 to 70°C, V_{DD} = 3.3 V ±0.3 V)

Parameter	Symbol	Condition	Min.	Typ.	Max.	Unit
CLKX2 Cycle Time	t _{CLKX2}	ITU-R601	—	37.05	—	ns
		NTSC 4Fsc	—	34.9	—	ns
		NTSC Square Pixel	—	40.75	—	ns
		PAL Square Pixel	—	33.9	—	ns
CLKX2 Duty	t _{D_D2}	—	40	—	60	%
Input Data Setup Time	t _{IS2}	CLKSEL : L	5	—	—	ns
Input Data Hold Time	t _{IH2}	CLKSEL : L	15	—	—	ns
Output Data Delay Time 1 (*)	t _{ODX2}	CLKSEL : L	2	—	7	ns
Output Data Delay Time 2 (*)	t _{OD2X2}	CLKSEL : L	2	—	6	ns
Output Data Delay Time 3 (*)	t _{OD2}	CLKSEL : L	9	—	24	ns
Output Clock Delay Time (*) (External)	t _{CXD2}	CLKSEL : L	7	—	17	ns
Output Clock Delay Time (*) (Internal)	t _{CD2}	CLKSEL : L	7	—	18	ns
SCL Clock Cycle Time	t _{C_SCL}	Rpull_up = 4.7 kΩ	200	—	—	ns
Low Level Cycle	t _{L_SCL}	Rpull_up = 4.7 kΩ	100	—	—	ns

(* output load 40 pF)

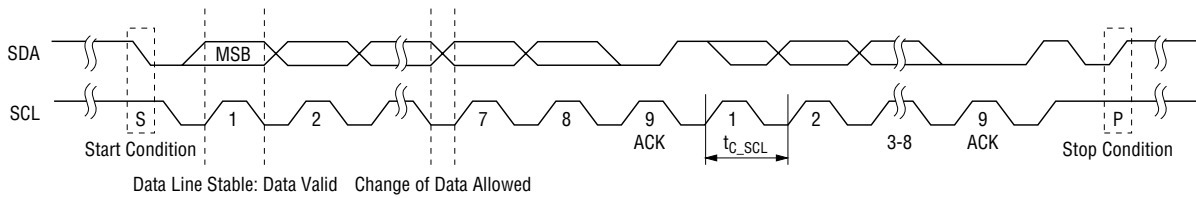
Input and Output Timing



* When changing the state of RESET_L input in double speed mode, avoid doing it in the period of setup time and hold time (the shaded portion).

I²C-bus Interface Input/Output Timing

The basic input/output timing of the I²C-bus interface is as follows.



I²C-bus Basic Input/Output Timing

BLOCK DESCRIPTION

1. Prologue Block

The prologue block performs Y/C separation by inputting data.

Data can be input either at ordinary pixel frequency (ITU-R : 13.5 MHz) or at double pixel frequency (ITU-R: 27 MHz).

When the double pixel frequency is used, data is processed after changing to the ordinary pixel frequency via a decimeter circuit.

By changing the register setting, the decimeter circuit can be bypassed irrespective of whether data is input at ordinary pixel frequency or at double pixel frequency.

The prologue block performs Y/C separation using a 2-dimensional adaptive comb filter when composite signals (CVBS) are input.

The following operation modes can be changed via the I²C-bus. The * mark indicates a default. The default is a state that is selected when reset.

- 1) Video input mode select
 - Composite video input *
 - S video input
- 2) Video input mode select
 - Auto NTSC/PAL select* (Only for ITU-R601)
 - Dependent on Operation mode selected
 - When ITU-R601 is selected, the video input mode is automatically determined by the number of lines per field.
- 3) Operation mode select

NTSC CCIR601	13.5 MHz*
MTSC Square Pixel	12.27 MHz
NTSC 4Fsc	14.31818 MHz
PAL CCIR601	13.5 MHz
PAL Square Pixel	14.75 MHz
- 4) Decimeter circuit pass/bypass select
 - Decimeter circuit is passed. *
 - Decimeter circuit is bypassed.
- 5) Y/C separation mode select
 - Adaptive comb filter is used. *
 - Unadaptive comb filter is used.
 - Trap filter is used.

The adaptive comb filter detects the correlation up to 3 lines between continuous lines. The Y/C is separated by the comb filter according to the way of correlation if these lines are correlated. The Y/C is separated by the trap filter if these lines are not correlated (only 2 lines in the case of PAL).

In the unadaptive comb filter, the Y/C is always separated by removing the luminance component based on the average of preceding and following lines (when there is the correlation between 3 lines).

If the comb filter is not used, the Y/C is separated by the trap filter.
 The Y/C separation circuit is bypassed by S video signal input.
 In addition, the functions of this block work only when lines are valid as image information.
 The processing of CVBS signals is not made during V-blanking.

2. Luminance Block

The luminance block removes synchronous signals from the signals containing luminance components after Y/C separation. The signals are corrected and output as luminance signals. The luminance signal output level gain control functions include three selectable modes such as AGC (Auto Gain Control), MGC (manual Gain Control) + No Clamp, and MGC + Pedestal Clamp.

In the AGC mode, the luminance level amplification is determined by comparing the depth of SYNC with the reference value. The default is 40IRE which can be changed by the register. The input is a sync chip clamp type.

In the MGC + No Clamp mode, the luminance signal output level is not affected by the input, and the amplification and black level are controlled by setting the register.

In the MGC + Pedestal Clamp mode, the signal output level is clamped to the pedestal level of the input. The signal amplification and black level are controllable from the clamped point by setting the register.

This block can select the following operation modes.

- 1) Use of prefilter and sharp filter
 - Used*
 - Not used

These filters are used for enhancing the edges of luminance component signals.
- 2) Selection of aperture bandpass filter coefficient
 - Middle range*
 - High range
- 3) Coring range select
 - off*
 - ±4LBS
 - ±5LBS
 - ±7LBS
- 4) Aperture weighting factor select
 - 0*
 - 0.25
 - 0.75
 - 1.5

The profile of these signals can be corrected by coring and aperture correction.

- 5) Use of pixel position correction circuit
 - Used*
 - Not used
- 6) AGC loop filter time constant select
 - Slow

Factor value 1/1024n

Medium	1/64n*
Fast	1/n
Fixed	0

- 7) Parameter for AGC reference level fine adjustment
- 8) Parameter for sync separation level fine adjustment

The black level is controlled. When the default is specified, the pedestal position is output as a black level (=16).

- 9) Pedestal clamp selecton
 - Pedestal clamp is not used.*
 - Pedestal clamp is used. (AGC will not operate)

3. Chrominance Block

This is a chroma signal processing block.
The following modes can be selected.

- 1) Use of color bandpass filter
 - Used*
 - Not used
- 2) ACC loop filter time constant select

Slow	Factor value 1/1024n
Medium	1/64n*
Fast	1/n
Fixed	0
- 3) ACC reference level fine adjustment
- 4) Parameter for burst level fine adjustment

The threshold level for valid chroma amplitude is selected based on a color burst ratio.

 - 0.5
 - 0.25*
 - 0.125
 - off
- 5) Color killer mode select
 - Auto color killer mode*
 - Forcible color killer
- 6) Parameter for color subcarrier phase fine adjustment

In this block, chroma signals pass through the chroma bandpass filter to cut an unnecessary band. To maintain a constant chroma level, UV demodulation is performed on these signals via the ACC correction circuit. (This filter can be bypassed.)
If the demodulation result does not reach a specified level, color killer signals are generated to fix the ACC gain. This functions as an auto color killer control circuit.
The UV demodulation result is output as chrominance signals via a low pass filter.

4. Synchronization Block

This is a synchronizing signal processing block.

Chip output synchronizing signals and synchronizing signals for internal use are generated by this block. Various signals are output in this block and the following operation modes can be selected.

1) SYNC threshold level adjustment

2-1) Fine adjustment of HSY signal (start side)

2-2) Fine adjustment of HSY signal (stop side)

3) HSY signal enable select

High Level

Active*

These signal are used to sync chip and clamp timing to the A/D converter

4) Fine adjustment of HSYNC_L signal

5-1) Fine adjustment of HVALID signal (start side)

5-2) Fine adjustment of HVALID signal (stop side)

6-1) Fine adjustment of VVALID signal (start side)

6-2) Fine adjustment of VVALID signal (stop side)

The data signals are transmitted or received at the rising edge of the HVALID signal.

7) TV, VTR mode select

TV mode

VTR mode*

The TV mode outputs a fixed pixel number per one line and absorbs a jitter that does not appear on the TV receiver normally.

The VTR mode outputs the results of decoding in accordance with the HSYNC signal regardless of whether a jitter exists or not.

5. Epilogue Block

The Epilogue Block outputs UV signals from the chrominance block and Y signals from the luminance block in the format based on the signal obtained by setting of the control register. In this block, the following modes can be selected.

- 1) Display of blue back when synchronization fails.

OFF

ON*

- 2) Output signal Y/CbCr format select

YCbCr 4 : 2 : 2*

YCbCr 4 : 1 : 1

The chrominance signal (U, V component) outputs Cb and Cr data to the C pin in an output format described later.

- 3) Selection of 8-bit chroma signal output format

Offset binary*

2's Complement

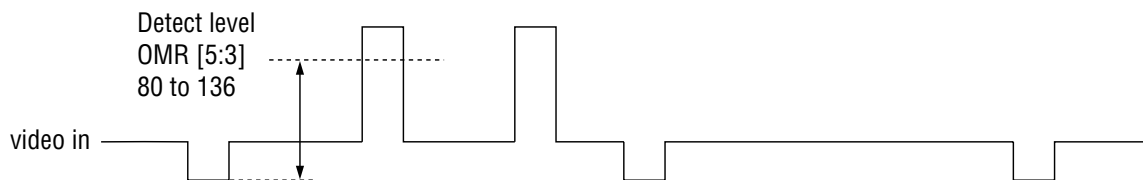
- 4) Output pin enable select

High impedance

Output enable*

- 5) Multiplex signal detect level adjustment

The levels to detect multiplexed signals sent during the vertical blanking period are configured to be variable. The binary values after input signals are A-to-D converted are employed as the levels to detect multiplexed signals, and the levels are set in eight steps with respect to the SYNC tip level.



- 6) Various modes detection

NTSC/PAL detect mode*

Multiplex signal detect mode

HSYNC synchronization detect mode

- 7) Output signal phase control

6. I²C Control Block

This is the serial interface block based on the I²C standard of Phillips Corporation. This block functions only as a Slave-Receiver. The external control can set the internal registers (MRA, MRB, HSYT, etc.).

7. Test Control Block

This block is used to test this LSI. Normally it is not used.

Register Description

Registers controlled by I²C bus are shown below.
 A register setting value with an "*" indicates the default.
 Enter "0" to the undefined register when setting registers.

Mode Register A (MRA) <default: 0xC0>

MRA[7]	NTSC/PAL Auto select	0: Fix *1: Auto
MRA[6]	Synchronization mode	0: TV mode *1: VTR mode
MRA[5]	Chroma format	*0: Offset binary 1: 2's Complement
MRA[4]	Override	*0: external terminal mode 1: register mode
MRA[3]	Video Input mode	*0: composite video input 1: S video input
MRA[2:0]	Video Input mode	*000: NTSC CCIR601 13.5 MHz 001: NTSC Square Pixel 12.27 MHz 010: NTSC 4Fsc 14.31818 MHz 100: PAL CCIR601 13.5 MHz 101: PAL Square Pixel 14.75 MHz

Mode Register B (MRB) <default: 0x18>

MRB[7]	Sub Pixel Alignment	*0: Sub Pixel Alignment is used. 1: Sub Pixel Alignment is not used.
MRB[6]	Color killer mode	*0: Auto color killer (Chrominance signal level becomes "0" when color burst level is below specified value.) *1: Forced color killer ON (Chrominance signal level is forced to be "0".)
MRB[5]	Pixel Sampling Ratio	*0: (4:2:2) 1: (4:1:1)
MRB[4]	Blue Back	0: OFF (Video signal is demodulated and output regardless of synchronization detection.) *1: AUTO (Blue Back is output when synchronization is not detected.)

MRB[3]	Sync enable, clamping pulse	0:	HSY outputs "HIGH" level.
		*1:	HSY outputs active.
MRB[2]	Data-pass control	*0:	DECIMETER is used at 2X sampling.
		1:	No DECIMETER is used.

(Note) This register becomes valid at double-speed clock input(27 MHz).

MRB[1:0]	Y/C separation mode	*00:	Adaptive comb filter (Operation mode is selected monitoring the correlation of 3 lines.)
		01:	Nonadaptive comb filter (Operation mode is always fixed.)
		10:	Comb filter is not used. (Trap filter is used.)
		11:	Undefined

(Note) Adaptive comb filter:

2/3-line comb filter at NTSC

Comb filter/trap filter at PAL

Non-adaptive comb filter:

3-line comb filter at NTSC

2-line cosine comb filter at PAL

Horizontal Sync Trimmer (HSYT) <default: 0x00>

HSYT[7:4]	HSY begin trimmer (8/pixel)	0xC: -4 (-32) to 0xB: +11 (+88)
HSYT[3:0]	HSY stop trimmer (8/pixel)	0xC: -4 (-32) to 0xB: +11 (+88)

Sync Threshold level adjust (STHR) <default: 0x00>

STHR[7:0]	Sync depth	0x0: -0 to *0x37:55 to 0xFF:255
-----------	------------	---------------------------------

(Note) The sync signal detect threshold level is adjusted.

Horizontal Sync Delay (HSDL) <default: 0x00>

HSDL[7:0]	HSYNC_L delay trimmer (4/pixel)	0x80: -128 (-512) to 0x7F: +127 (508)
-----------	---------------------------------	---------------------------------------

Horizontal Valid Trimmer (HVALT) <default: 0x00>

HVALT[7:0]	HVALID begin trimmer (1/pixel)	0x8: -8 to 0x7: +7
HVALT[3:0]	HVALID stop trimmer (1/pixel)	0x8: -8 to 0x7: +7

Vertical Valid Trimmer (VVALT) <default: 0x00>

VVALT[7:4] VVALID begin trimmer (1/line) 0x8: -8 to 0x7: +7

VVALT[3:0] VVALID stop trimmer (1/line) 0x8: -8 to 0x7: +7

Luminance Control (LUMC) <default: 0x40>

LUMC[7] Output level limiter *0: OFF 1: ON

(Note) The limit range is from 16 to 235 at limiter ON.

LUMC[6] Use of Pre-filter 0: Prefilter is not used.
*1: Prefilter is used.

LUMC[5:4] Aperture bandpass select *00: middle range
01:
10:
11: high range

LUMC[3:2] Coring range select *00: coring off
01: +/-4LSB
10: +/-5LSB
11: +/-7LSB

LUMC[1:0] Aperture filter weighting factor
*00: 0
01: 0.25
10: 0.75
11: 1.5

AGC/Pedestal Loop filter control (AGCLF) <default: 0x40>

AGCLF[7:6] AGC loop filter time constant
00: slow
*01: medium
10: fast
11: fixed

AGCLF[5:0] AGC reference level 0x20: -32 to 0x1F: +31

Sync separation level (SSEPL) <default: 0x00>

SSEPL[7]	Pedestal clamp on/off	*0:	Pedestal clamp is not used.
		1:	Pedestal clamp is used. (AGC will not operate.)

SSEPL[6:0]	Sync separation level	0x40: -64	to	0x3F: +63
------------	-----------------------	-----------	----	-----------

Chrominance Control (CHRC) <default: 0x5>

CHRC[7:4]	Undefined
-----------	-----------

CHRC[7:3]	C-Output level limiter	0:	*OFF	1:	ON
-----------	------------------------	----	------	----	----

(Note) The limit range is from 16 to 224 at limiter ON.

CHRC[2]	Chroma bandpass filter	0:	OFF	*1:	ON
---------	------------------------	----	-----	-----	----

CHRC[1:0]	Color kill threshold factor	00:	0.5 color burst level
		*01:	0.25 color burst level
		10:	0.125 color burst level
		11:	0 (Color killer off)

ACC Loop filter control (ACCLF) <default: 0x20>

ACCLF[7]	Undefined
----------	-----------

ACCLF[6:5]	ACC loop filter time constant	00:	slow
		*01:	medium
		10:	fast
		11:	fixed

ACCLF[4:0]	ACC reference level	0x10: -16	to	0x0F: +15
------------	---------------------	-----------	----	-----------

Hue control (HUE) <default: 0x00>

HUE[7:0]	Hue control	0x80: -180 degrees	to	0x7F: 178.6 degrees
----------	-------------	--------------------	----	---------------------

Optional Mode Register (OMR) <default: 0x00>

OMR[7:6]	Undefined		
OMR[5:3]	Multiplex signal detection level (VBID etc.)	00: 80 01: 88 *10: 96 • • 11: 136	
OMR[2]	Hi-Z on Sleep for Out-pin	*0: Active 1: Hi-Z	
OMR[1:0]	Signal Indicate mode	*00: NTSC/PAL 01: SOUT (Multiplex signal detect) 10: HDET (H-Sync detect) 11: Undefined	

Output phase control for data Y (OPCY) <default: 0x00>

OPCY[7:2]	Undefined		
OPCY[1:0]	Output phase control for data Y	*00: normal 01: forward 1 clock 10: backward 2 clocks 11: backward 1 clock	

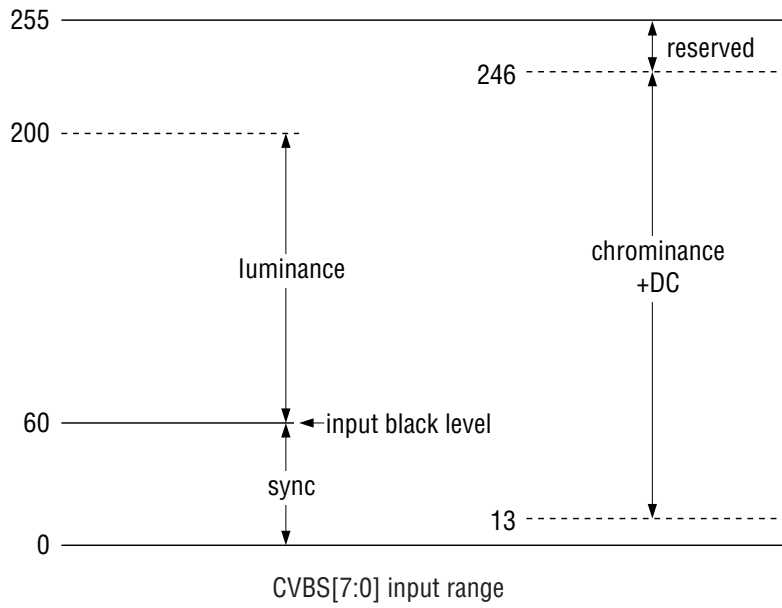
Output phase control for data C (OPCC) <default: 0x00>

OPCC[7:2]	Undefined		
OPCC[1:0]	Output phase control for data C	*00: normal 01: forward 1 clock 10: backward 2 clocks 11: backward 1 clock	

FUNCTIONAL DESCRIPTION

Input Signal Level

Input signal is 8 bits in a straight binary format.
The recommended input range is shown below.



Output format

The YCbCr 4:2:2 format and 4:1:1 format are shown below.
 The output format can be changed by register settings.

OUTPUT	PIXEL BYTE SEQUENCE					
Y7(MSB)	Y7	Y7	Y7	Y7	Y7	Y7
Y6	Y6	Y6	Y6	Y6	Y6	Y6
Y5	Y5	Y5	Y5	Y5	Y5	Y5
Y4	Y4	Y4	Y4	Y4	Y4	Y4
Y3	Y3	Y3	Y3	Y3	Y3	Y3
Y2	Y2	Y2	Y2	Y2	Y2	Y2
Y1	Y1	Y1	Y1	Y1	Y1	Y1
Y0(LSB)	Y0	Y0	Y0	Y0	Y0	Y0
C7(MSB)	Cb7	Cr7	Cb7	Cr7	Cb7	Cr7
C6	Cb6	Cr6	Cb6	Cr6	Cb6	Cr6
C5	Cb5	Cr5	Cb5	Cr5	Cb5	Cr5
C4	Cb4	Cr4	Cb4	Cr4	Cb4	Cr4
C3	Cb3	Cr3	Cb3	Cr3	Cb3	Cr3
C2	Cb2	Cr2	Cb2	Cr2	Cb2	Cr2
C1	Cb1	Cr1	Cb1	Cr1	Cb1	Cr1
C0(LSB)	Cb0	Cr0	Cb0	Cr0	Cb0	Cr0
Y point	0	1	2	3	4	5
C point	0		2		4	

YCbCr 4:2:2 format

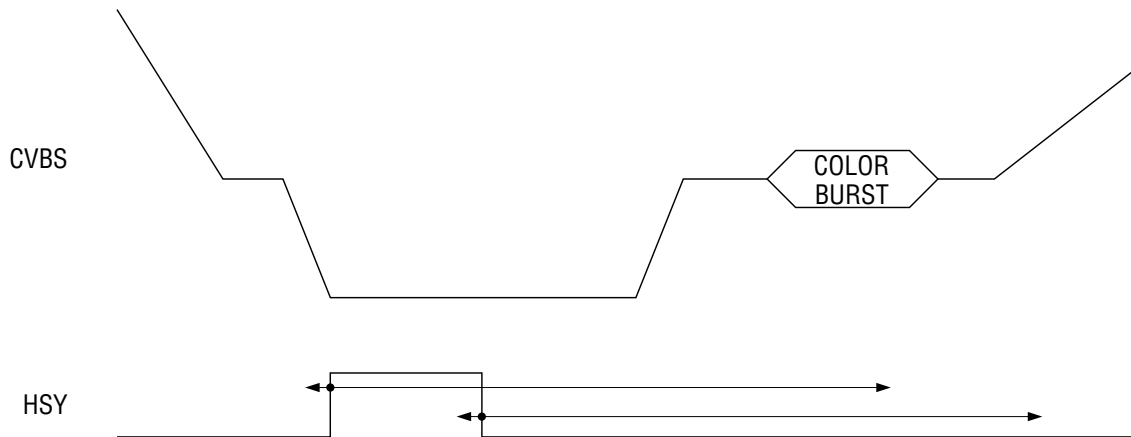
OUTPUT	PIXEL BYTE SEQUENCE							
Y7(MSB)	Y7	Y7	Y7	Y7	Y7	Y7	Y7	Y7
Y6	Y6	Y6	Y6	Y6	Y6	Y6	Y6	Y6
Y5	Y5	Y5	Y5	Y5	Y5	Y5	Y5	Y5
Y4	Y4	Y4	Y4	Y4	Y4	Y4	Y4	Y4
Y3	Y3	Y3	Y3	Y3	Y3	Y3	Y3	Y3
Y2	Y2	Y2	Y2	Y2	Y2	Y2	Y2	Y2
Y1	Y1	Y1	Y1	Y1	Y1	Y1	Y1	Y1
Y0(LSB)	Y0	Y0	Y0	Y0	Y0	Y0	Y0	Y0
C7(MSB)	Cb7	Cb5	Cb3	Cb1	Cb7	Cb5	Cb3	Cb1
C6	Cb6	Cb4	Cb2	Cb0	Cb6	Cb4	Cb2	Cb0
C5	Cr7	Cr5	Cr3	Cr1	Cr7	Cr5	Cr3	Cr1
C4	Cr6	Cr4	Cr2	Cr0	Cr6	Cr4	Cr2	Cr0
C3	0	0	0	0	0	0	0	0
C2	0	0	0	0	0	0	0	0
C1	0	0	0	0	0	0	0	0
C0(LSB)	0	0	0	0	0	0	0	0
Y point	0	1	2	3	4	5	6	7
C point	0				4			

YCbCr 4:1:1 format

TIMING DESCRIPTION

A/D Converter Support Signal

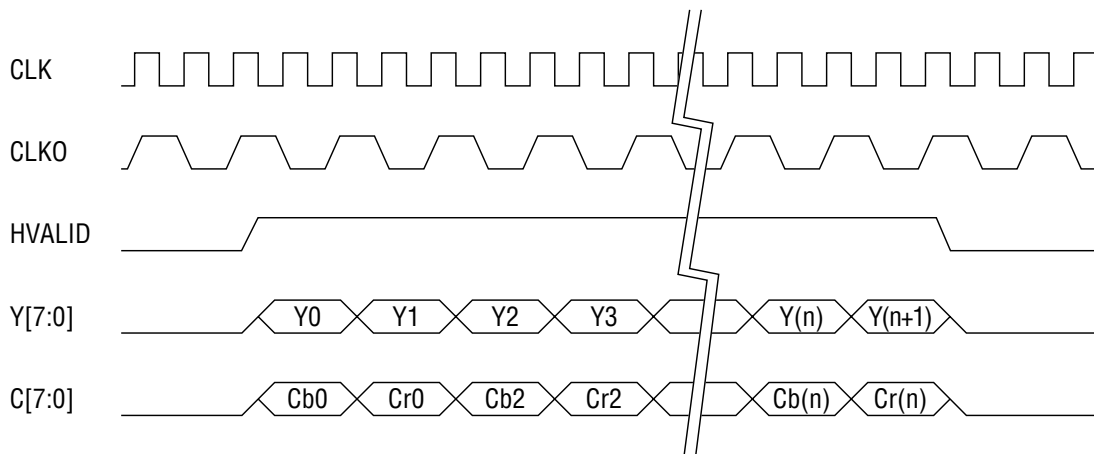
The timing wave form of HSY/HCL signals, which measure the sync chip and clamp timing for the A/D converter, is as follows.



A/D Converter Support Signal

Line control signal

The line control signal timing is as follows.



Line Control Timing

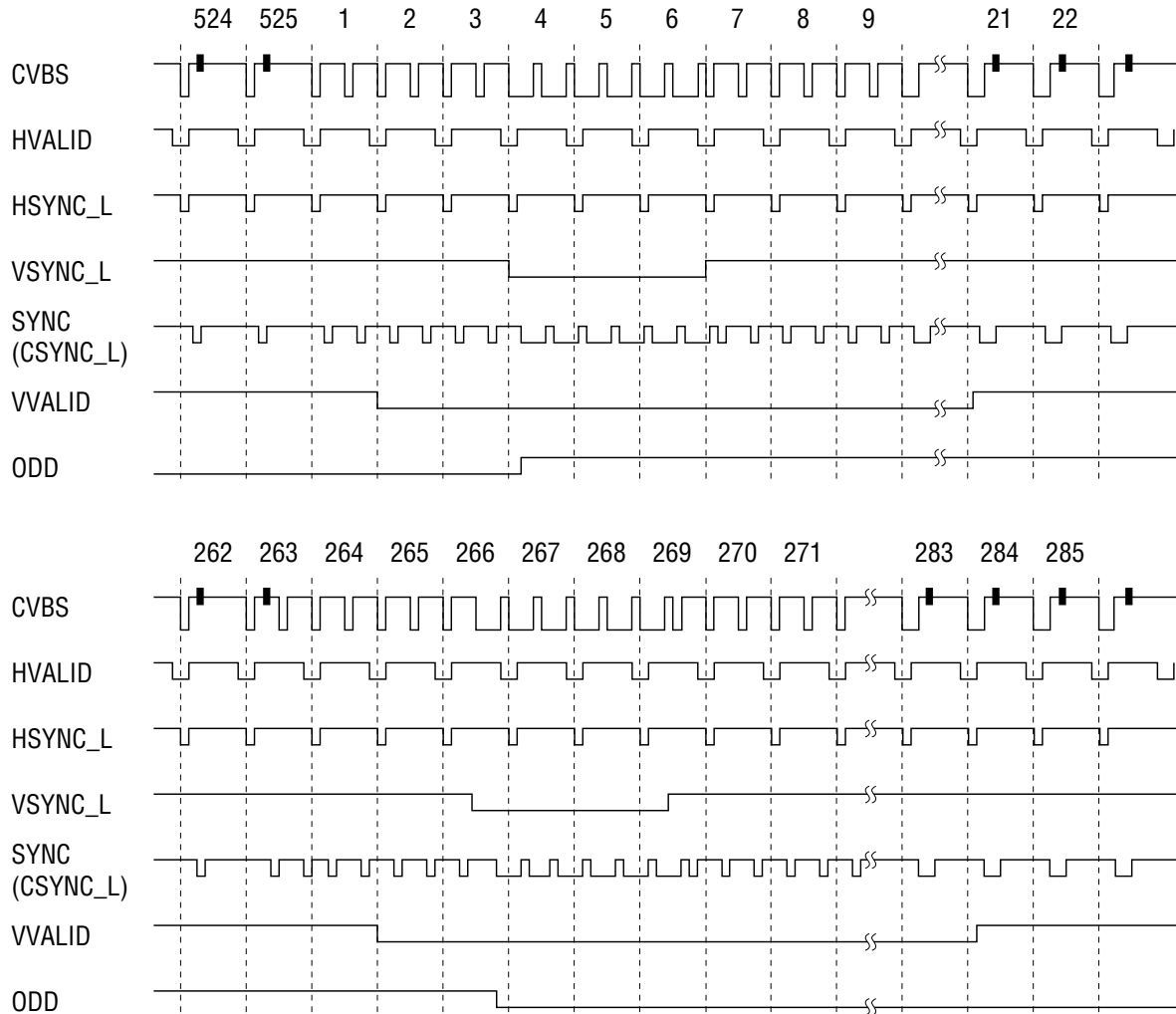
Total Number of Pixels

The total number of pixels vary depending on the mode and frequency used, as shown below (default values when typical signals are input).

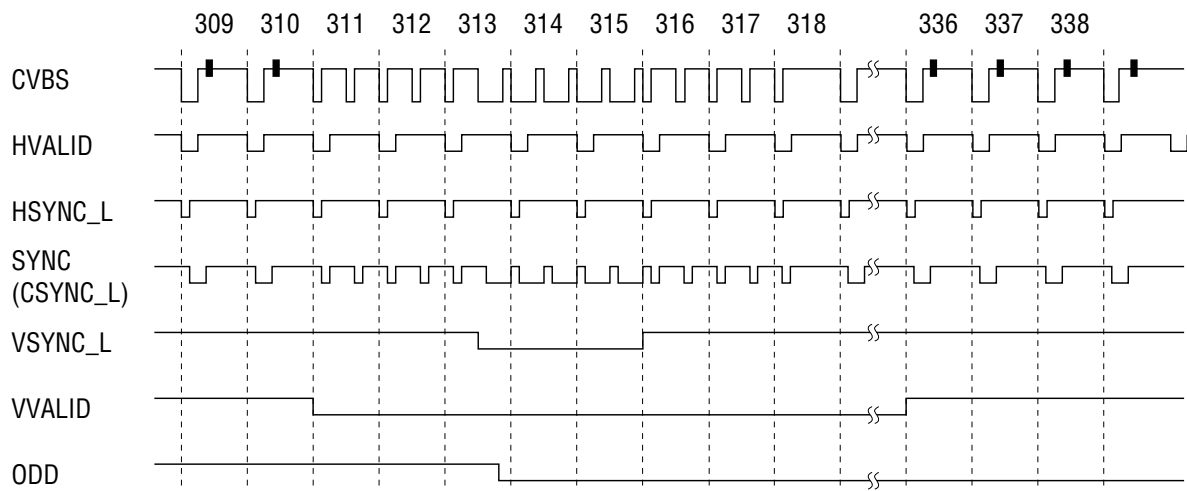
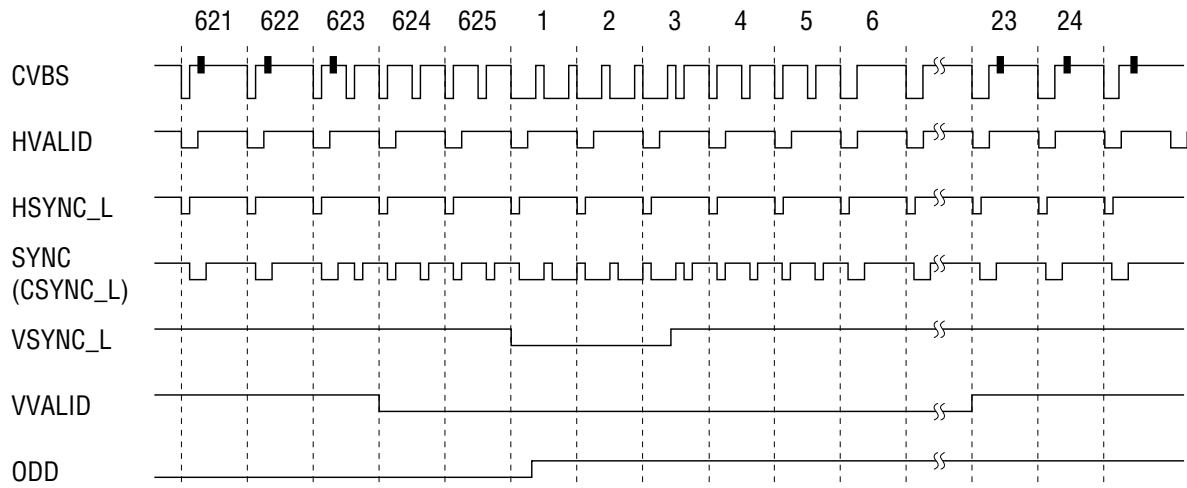
Video and Sampling Mode		Total Pixels	Active Pixels	HBLK Pixels		
Video Mode	Sampling Rate			Front-porch	Hsync.Back-porch	Total
NTSC	13.5 MHz	858	720	16	122	138
	12.27 MHz (SQ)	780	640	28	112	140
	14.32 MHz (4FSC)	910	768	8	134	142
	—					
PAL	13.5 MHz	864	720	14	130	144
	14.75 MHz (SQ)	944	768	34	142	176
	—					
	—					

Vertical Synchronizing Signal

The vertical synchronizing signal timing is as follows.



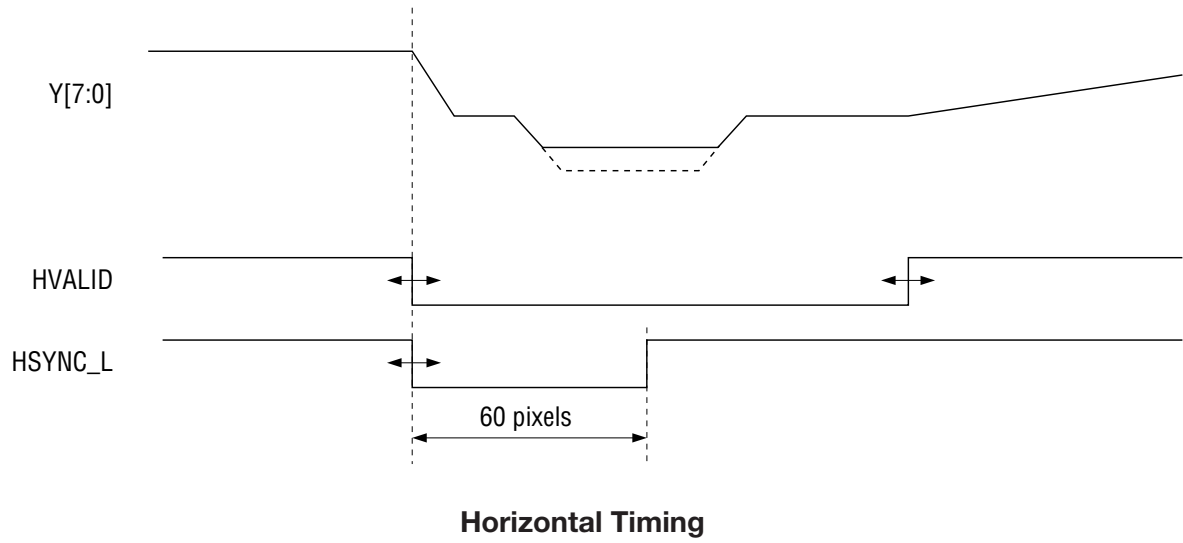
Vertical Synchronizing Signal (NTSC 60 Hz)



Vertical Synchronizing Signal (PAL 50 Hz)

Horizontal Synchronizing Signal

The horizontal synchronizing signal timing is as follows.



I²C BUS FORMAT

The I²C-bus interface input format is shown below.

S	Slave Address	A	Subaddress	A	Data 0	A	Data n	A	P
---	---------------	---	------------	---	--------	---	-------	--------	---	---

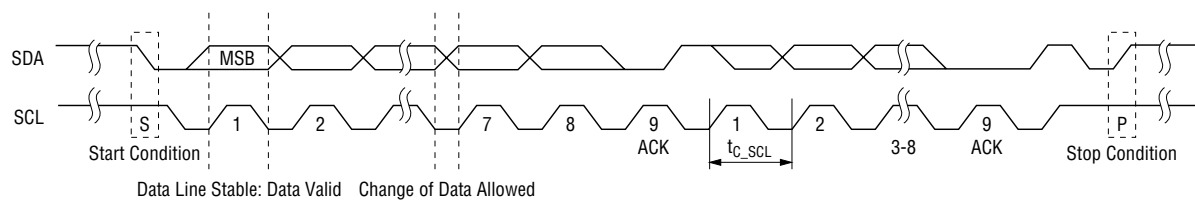
Symbol	Description
S	Start condition
Slave Address	Slave address 1000001X, 8th bit is write signal.
A	Acknowledge. Generated by slave
Subaddress	Subaddress byte
Data n	Data to write to address designated by subaddress.
P	Stop condition

As mentioned above, the write operation can be executed from subaddress to subaddress continuously. When the write operation is executed at subaddresses discontinuously, the Acknowledge and Stop condition formats are input repeatedly after Data 0.

If one of the following matters occurs, the decoder will not return "A" (Acknowledge).

- The slave address does not match.
- A non-existent subaddress is specified.
- The write attribute of a register does not match "X" (read/write control bit).

The input timing is shown below.



I²C-bus Basic Input/Output Timing

OPERATION MODE SETTING

The video mode includes ;

1. Internal terminal mode to be directly set by a dedicated terminal
2. Register setting mode to be specified by setting the internal registers

These modes can be changed by the mode register MRA [4].

The reset state (default) is the external terminal mode.

The following registers can be set in the external terminal mode.

MRA[3]	input signal mode	*0:	Composite video input	
		1:	S-video input	
MRA[2 : 0]	input mode	*000:	NTSC ITU-R601	13.5 MHz
		001:	NTSC Square Pixel	12.27 MHz
		010:	MTSC 4Fsc	14.31818 MHz
		100:	PAL ITU-R601	13.5 MHz
		101:	PAL Square Pixel	14.75 MHz

OPERATION CLOCK SETTING

The operation clock settings at ITU-R601 are shown below.

Input clock	Input data	CLKSEL Pin	Register (MRB2)	Clock for A/D converter
27.0 MHz	27.0 MHz	"L"	"0" (decimation filter used)	CLKX20 (27 MHz)
27.0 MHz	13.5 MHz	"L"	"1" (Unused)	CLKX0 (13.5 MHz)
13.5 MHz	13.5 MHz	"H"	"1" (Unused)	CLKX20 or CLKX0 (13.5 MHz)

When the double speed clock is used, data can be input at a double speed or at an ordinary speed by setting the internal register (MRB2) and the clock for the A/D converter.

The internal processing after decimation filter is performed at an ordinary speed.

INTERNAL REGISTERS

Register List

Register Function	Subaddress	Data byte							
		D7	D6	D5	D4	D3	D2	D1	D0
Mode Register A (MRA)	0	MRA7	MRA6	MRA5	MRA4	MRA3	MRA2	MRA1	MRA0
Mode Register B (MRB)	1	MRB7	MRB6	MRB5	MRB4	MRB3	MRB2	MRB1	MRB0
Horizontal Sync Trimmer (HSYT)	2	HSYT7	HSYT6	HSYT5	HSYT4	HSYT3	HSYT2	HSYT1	HSYT0
Sync Threshold level adjust (STHR)	3	STHR7	STHR6	STHR5	STHR4	STHR3	STHR2	STHR1	STHR0
Horizontal Sync Delay (HSDL)	4	HSDL7	HSDL6	HSDL5	HSDL4	HSDL3	HSDL2	HSDL1	HSDL0
Horizontal Valid Trimmer (HVALID)	5	HVALID7	HVALID6	HVALID5	HVALID4	HVALID3	HVALID2	HVALID1	HVALID0
Vertical Valid Trimmer (VVALID)	6	VVALID7	VVALID6	VVALID5	VVALID4	VVALID3	VVALID2	VVALID1	VVALID0
Luminance Control (LUMC)	7	LUMC7	LUMC6	LUMC5	LUMC4	LUMC3	LUMC2	LUMC1	LUMC0
AGC/Pedestal Loop Filter Control (AGCLF)	8	AGCLF7	AGCLF6	AGCLF5	AGCLF4	AGCLF3	AGCLF2	AGCLF1	AGCLF0
Sync separation level (SSEPL)	9	SSEPL7	SSEPL6	SSEPL5	SSEPL4	SSEPL3	SSEPL2	SSEPL1	SSEPL0
Chrominance Control (CHRC)	A	CHRC7	CHRC6	CHRC5	CHRC4	CHRC3	CHRC2	CHRC1	CHRC0
ACC Loop Filter Control (ACCLF)	B	ACCLF7	ACCLF6	ACCLF5	ACCLF4	ACCLF3	ACCLF2	ACCLF1	ACCLF0
Hue Control (HUE)	C	HUE7	HUE6	HUE5	HUE4	HUE3	HUE2	HUE1	HUE0
Optional Mode Register (OMR)	D	OMR7	OMR6	OMR5	OMR4	OMR3	OMR2	OMR1	OMR0
Output Phase Control for Data Y (OPCY)	E	OPCY7	OPCY6	OPCY5	OPCY4	OPCY3	OPCY2	OPCY1	OPCY0
Output Phase Control for Data C (OPCC)	F	OPCC7	OPCC6	OPCC5	OPCC4	OPCC3	OPCC2	OPCC1	OPCC0

Relationship between Register Setting Value and Adjusted Value

Horizontal Sync Trimmer

Position adjustment of sync chip clamp timing signal

HSYT [7:4] :Adjusting the starting position

Register Setting Value (0x)	C	D	E	F	0	1	2	3	4	5	6	7	8	9	A	B
Adjusted Value (Pixel)	-32	-24	-16	-8	0	+8	+16	+24	+32	+40	+48	+56	+64	+72	+80	+88

HSYT [3:0] :Adjusting the end position

Register Setting Value (0x)	C	D	E	F	0	1	2	3	4	5	6	7	8	9	A	B
Adjusted Value (Pixel)	-32	-24	-16	-8	0	+8	+16	+24	+32	+40	+48	+56	+64	+72	+80	+88

Horizontal Sync Delay

Adjustment of the starting position of horizontal sync signal

HSDL [7:0]

		MSB[7 : 4]															
		8	9	A	B	C	D	E	F	0	1	2	3	4	5	6	7
LSB [3 : 0]	0	-512	-448	-384	-320	-256	-192	-128	-64	0	+64	+128	+192	+256	+320	+384	+448
	1	-508	-444	-380	-316	-252	-188	-124	-60	+4	+68	+132	+196	+260	+324	+388	+452
	2	-504	-440	-376	-312	-248	-184	-120	-56	+8	+72	+136	+200	+264	+328	+392	+456
	3	-500	-436	-372	-308	-244	-180	-116	-52	+12	+76	+140	+204	+268	+332	+396	+460
	4	-496	-432	-368	-304	-240	-176	-112	-48	+16	+80	+144	+208	+272	+336	+400	+464
	5	-492	-428	-364	-300	-236	-172	-108	-44	+20	+84	+148	+212	+276	+340	+404	+468
	6	-488	-424	-360	-296	-232	-168	-104	-40	+24	+88	+152	+216	+280	+344	+408	+472
	7	-484	-420	-356	-292	-228	-164	-100	-36	+28	+92	+156	+220	+284	+348	+412	+476
	8	-480	-416	-352	-288	-224	-160	-96	-32	+32	+96	+160	+224	+288	+352	+416	+480
	9	-476	-412	-348	-284	-220	-156	-92	-28	+36	+100	+164	+228	+292	+356	+420	+484
	A	-472	-408	-344	-280	-216	-152	-88	-24	+40	+104	+168	+232	+296	+360	+424	+488
	B	-468	-404	-340	-276	-212	-148	-84	-20	+44	+108	+172	+236	+300	+364	+428	+492
	C	-464	-400	-336	-272	-208	-144	-80	-16	+48	+112	+176	+240	+304	+368	+432	+496
	D	-460	-396	-332	-268	-204	-140	-76	-12	+52	+116	+180	+244	+308	+372	+436	+500
	E	-456	-392	-328	-264	-200	-136	-72	-8	+56	+120	+184	+248	+312	+376	+440	+504
	F	-452	-388	-324	-260	-196	-132	-68	-4	+60	+124	+188	+252	+316	+380	+444	+508

Horizontal Valid Trimmer

Position adjustment of horizontal valid pixel timing signal

HVALT [7:4] :Adjusting the starting position

Register Setting Value (0x)	8	9	A	B	C	D	E	F	0	1	2	3	4	5	6	7
Adjusted Value (Pixel)	-8	-7	-6	-5	-4	-3	-2	-1	0	+1	+2	+3	+4	+5	+6	+7

HVALT [3:0] :Adjusting the end position

Register Setting Value (0x)	8	9	A	B	C	D	E	F	0	1	2	3	4	5	6	7
Adjusted Value (Pixel)	-8	-7	-6	-5	-4	-3	-2	-1	0	+1	+2	+3	+4	+5	+6	+7

Vertical Valid Trimmer

Position adjustment of vertical valid line timing signal

VVALT [7:4] :Adjusting the starting position

Register Setting Value (0x)	8	9	A	B	C	D	E	F	0	1	2	3	4	5	6	7
Adjusted Value (Line)	-8	-7	-6	-5	-4	-3	-2	-1	0	+1	+2	+3	+4	+5	+6	+7

VVALT [3:0] :Adjusting the end position

Register Setting Value (0x)	8	9	A	B	C	D	E	F	0	1	2	3	4	5	6	7
Adjusted Value (Line)	-8	-7	-6	-5	-4	-3	-2	-1	0	+1	+2	+3	+4	+5	+6	+7

AGC Loop filter control

AGCLF [5:0] :Adjusting sync level

Register Setting Value (0x)	MSB [5 : 4]				
	2	3	0	1	
LSB [3 : 0]	0	-32	-16	0	+16
	1	-31	-15	+1	+17
	2	-30	-14	+2	+18
	3	-29	-13	+3	+19
	4	-28	-12	+4	+20
	5	-27	-11	+5	+21
	6	-26	-10	+6	+22
	7	-25	-9	+7	+23
	8	-24	-8	+8	+24
	9	-23	-7	+9	+25
	A	-22	-6	+10	+26
	B	-21	-5	+11	+27
	C	-20	-4	+12	+28
	D	-19	-3	+13	+29
	E	-18	-2	+14	+30
	F	-17	-1	+15	+31

Sync separation level

SSEPL [6:0] :Adjusting the blanking level

Register Setting Value (0x)	MSB [6 : 4]								
	4	5	6	7	0	1	2	3	
LSB [3 : 0]	0	-64	-48	-32	-16	0	+16	+32	+48
	1	-63	-47	-31	-15	+1	+17	+33	+49
	2	-62	-46	-30	-14	+2	+18	+34	+50
	3	-61	-45	-29	-13	+3	+19	+35	+51
	4	-60	-44	-28	-12	+4	+20	+36	+52
	5	-59	-43	-27	-11	+5	+21	+37	+53
	6	-58	-42	-26	-10	+6	+22	+38	+54
	7	-57	-41	-25	-9	+7	+23	+39	+55
	8	-56	-40	-24	-8	+8	+24	+40	+56
	9	-55	-39	-23	-7	+9	+25	+41	+57
	A	-54	-38	-22	-6	+10	+26	+42	+58
	B	-53	-37	-21	-5	+11	+27	+43	+59
	C	-52	-36	-20	-4	+12	+28	+44	+60
	D	-51	-35	-19	-3	+13	+29	+45	+61
	E	-50	-34	-18	-2	+14	+30	+46	+62
	F	-49	-33	-17	-1	+15	+31	+47	+63

ACC Loop filter control

ACCLF [4:0] :Adjusting the color burst level

Register Setting Value (0x)	MSB [4]		
	1	0	
LSB [3 : 0]	0	-16	0
	1	-15	+1
	2	-14	+2
	3	-13	+3
	4	-12	+4
	5	-11	+5
	6	-10	+6
	7	-9	+7
	8	-8	+8
	9	-7	+9
	A	-6	+10
	B	-5	+11
	C	-4	+12
	D	-3	+13
	E	-2	+14
	F	-1	+15

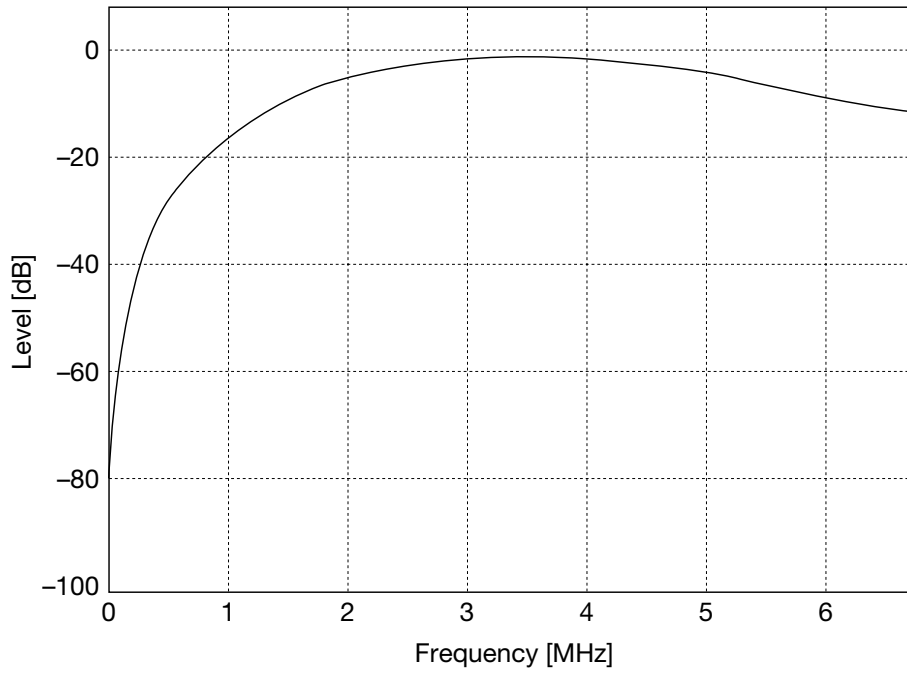
Hue control
Adjustment of color subcarrier phase

HUE [7:0]

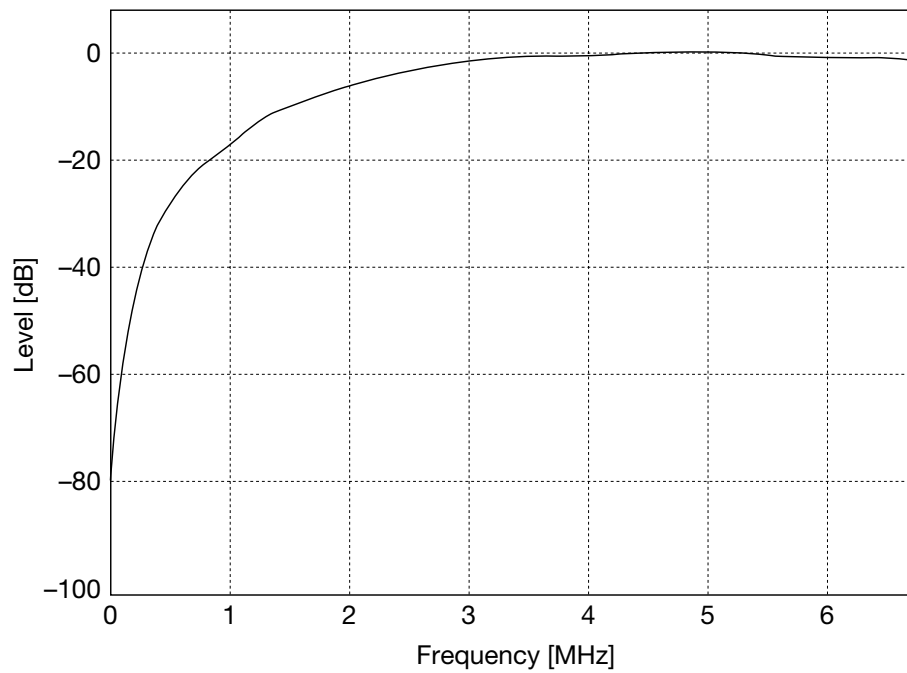
Register Setting Value (0x)	MSB [7 : 4]																
	8	9	A	B	C	D	E	F	0	1	2	3	4	5	6	7	
LSB [3 : 0]	0	-180.0	-157.5	-135.0	-112.5	-90.0	-67.5	-45.0	-22.5	+0.0	+22.5	+45.0	+67.5	+90.0	+112.5	+135.0	+157.5
	1	-178.6	-156.1	-133.6	-111.1	-88.6	-66.1	-43.6	-21.1	+1.4	+23.9	+46.4	+68.9	+91.4	+113.9	+136.4	+158.9
	2	-177.2	-154.7	-132.2	-109.7	-87.2	-64.7	-42.2	-19.7	+2.8	+25.3	+47.8	+70.3	+92.8	+115.3	+137.8	+160.3
	3	-175.8	-153.3	-130.8	-108.3	-85.8	-63.3	-40.8	-18.3	+4.2	+26.7	+49.2	+71.7	+94.2	+116.7	+139.2	+161.7
	4	-174.4	-151.9	-129.4	-106.9	-84.4	-61.9	-39.4	-16.9	+5.6	+28.1	+50.6	+73.1	+95.6	+118.1	+140.6	+163.1
	5	-173.0	-150.5	-128.0	-105.5	-83.0	-60.5	-38.0	-15.5	+7.0	+29.5	+52.0	+74.5	+97.0	+119.5	+142.0	+164.5
	6	-171.6	-149.1	-126.6	-104.1	-81.6	-59.1	-36.6	-14.1	+8.4	+30.9	+53.4	+75.9	+98.4	+120.9	+143.4	+165.9
	7	-170.2	-147.7	-125.2	-102.7	-80.2	-57.7	-35.2	-12.7	+9.8	+32.3	+54.8	+77.3	+99.8	+122.3	+144.8	+167.3
	8	-168.8	-146.3	-123.8	-101.3	-78.8	-56.3	-33.8	-11.3	+11.3	+33.8	+56.3	+78.8	+101.3	+123.8	+146.3	+168.8
	9	-167.3	-144.8	-122.3	-99.8	-77.3	-54.8	-32.3	-9.8	+12.7	+35.2	+57.7	+80.2	+102.7	+125.2	+147.7	+170.2
	A	-165.9	-143.4	-120.9	-98.4	-75.9	-53.4	-30.9	-8.4	+14.1	+36.6	+59.1	+81.6	+104.1	+126.6	+149.1	+171.6
	B	-164.5	-142.0	-119.5	-97.0	-74.5	-52.0	-29.5	-7.0	+15.5	+38.0	+60.5	+83.0	+105.5	+128.0	+150.5	+173.0
	C	-163.1	-140.6	-118.1	-95.6	-73.1	-50.6	-28.1	-5.6	+16.9	+39.4	+61.9	+84.4	+106.9	+129.4	+151.9	+174.4
	D	-161.7	-139.2	-116.7	-94.2	-71.7	-49.2	-26.7	-4.2	+18.3	+40.8	+63.3	+85.8	+108.3	+130.8	+153.3	+175.8
	E	-160.3	-137.8	-115.3	-92.8	-70.3	-47.8	-25.3	-2.8	+19.7	+42.2	+64.7	+87.2	+109.7	+132.2	+154.7	+177.2
	F	-158.9	-136.4	-113.9	-91.4	-68.9	-46.4	-23.9	-1.4	+21.1	+43.6	+66.1	+88.6	+111.1	+133.6	+156.1	+178.6

Filter Characteristics

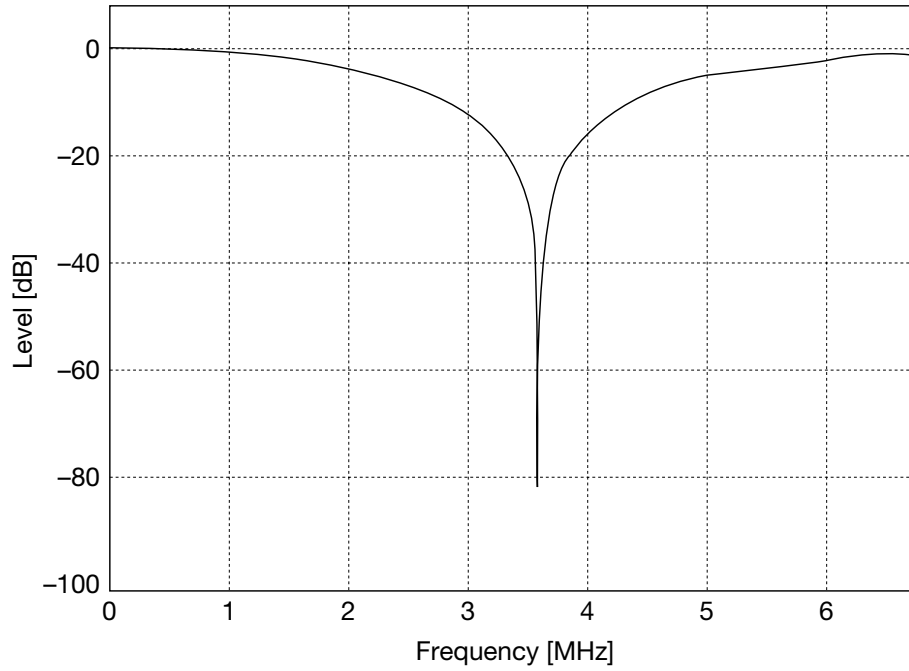
Band Pass Filter (NTSC ITU-R601)



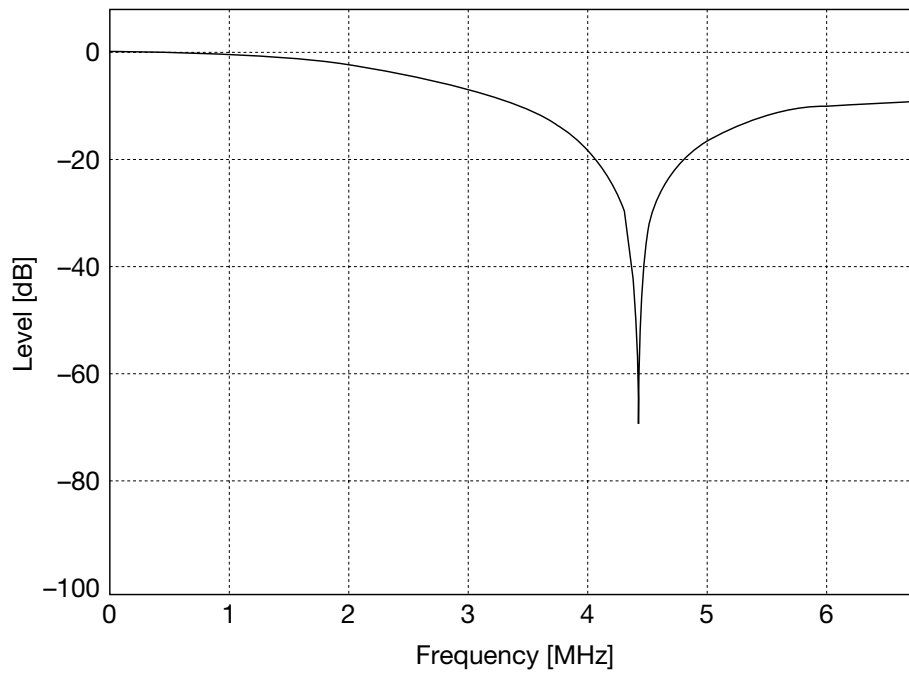
Band Pass Filter (PAL ITU-R601)



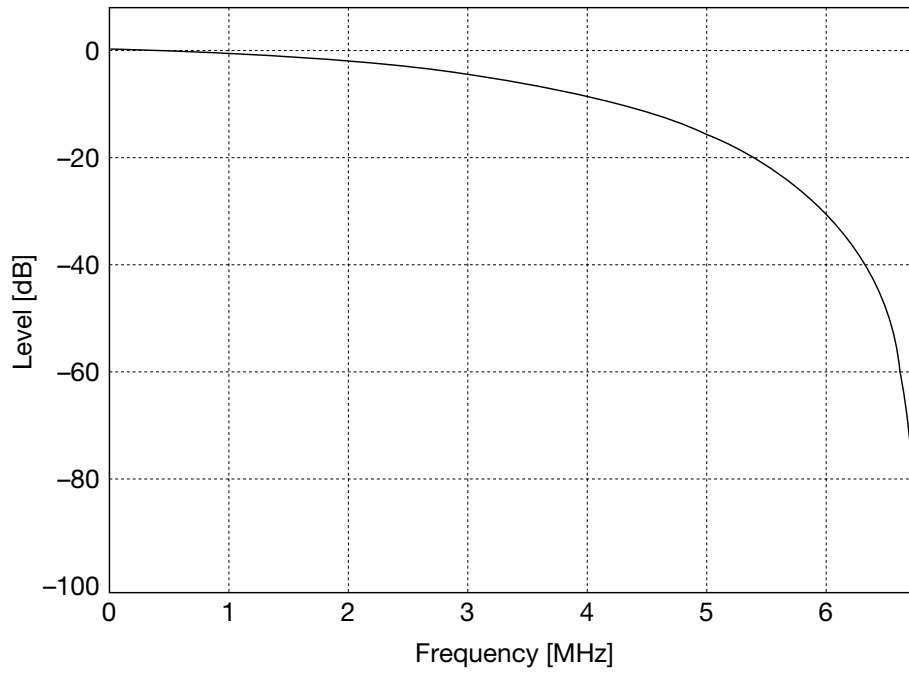
Trap Filter (NTSC ITU-R601)



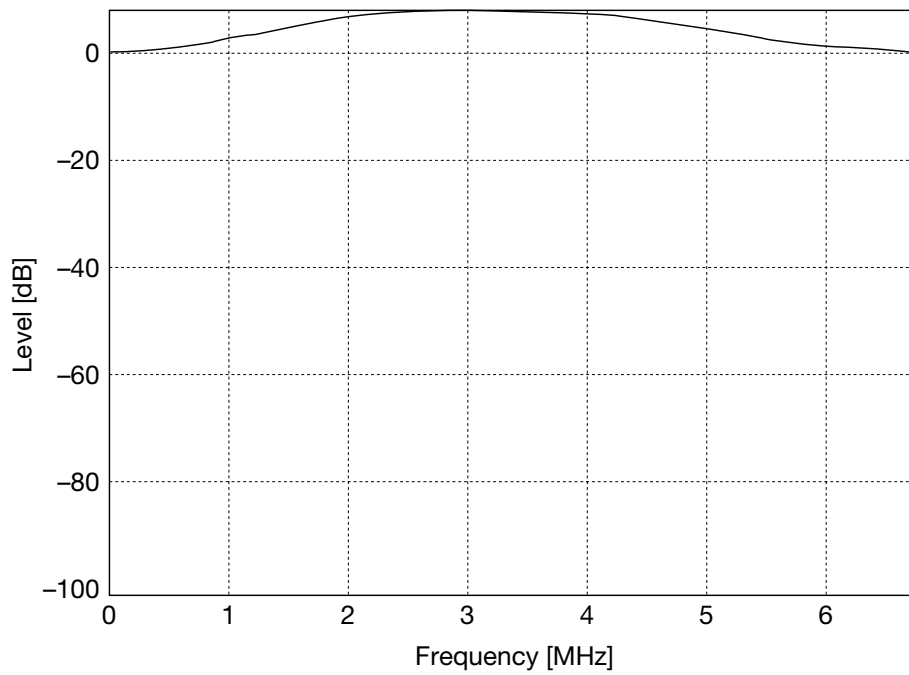
Trap Filter (PAL ITU-R601)

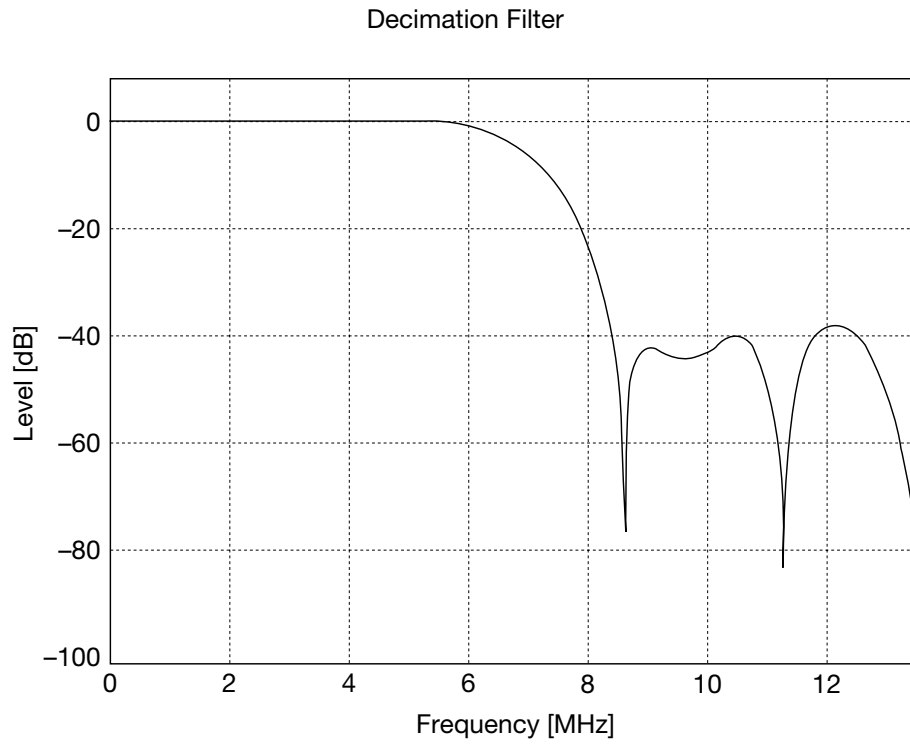


Pre Filter



Sharp Filter





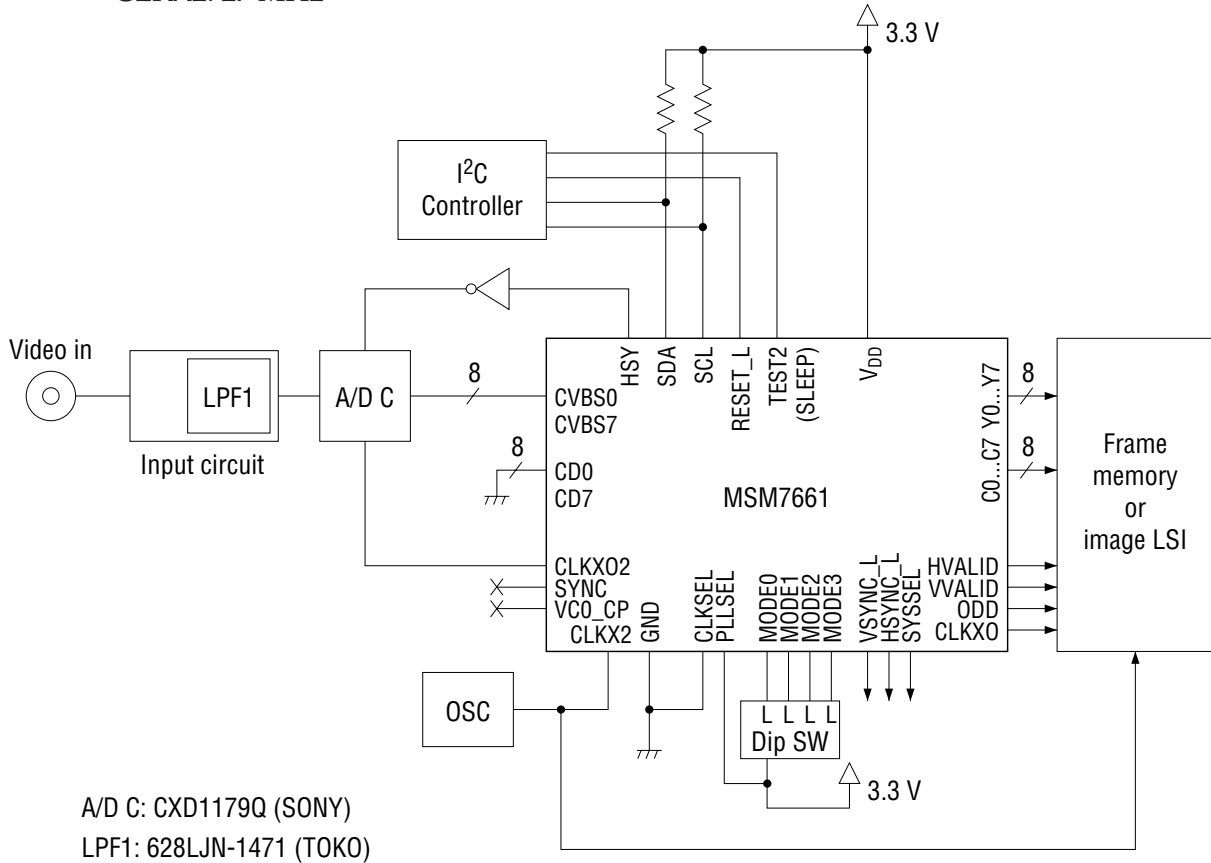
* The characteristics of the various filters shown above are based on design data.

BASIC APPLICATION CIRCUIT EXAMPLE

Application 1

Mode setting

Video signal: NTSC-composite
 CLKX2: 27 MHz

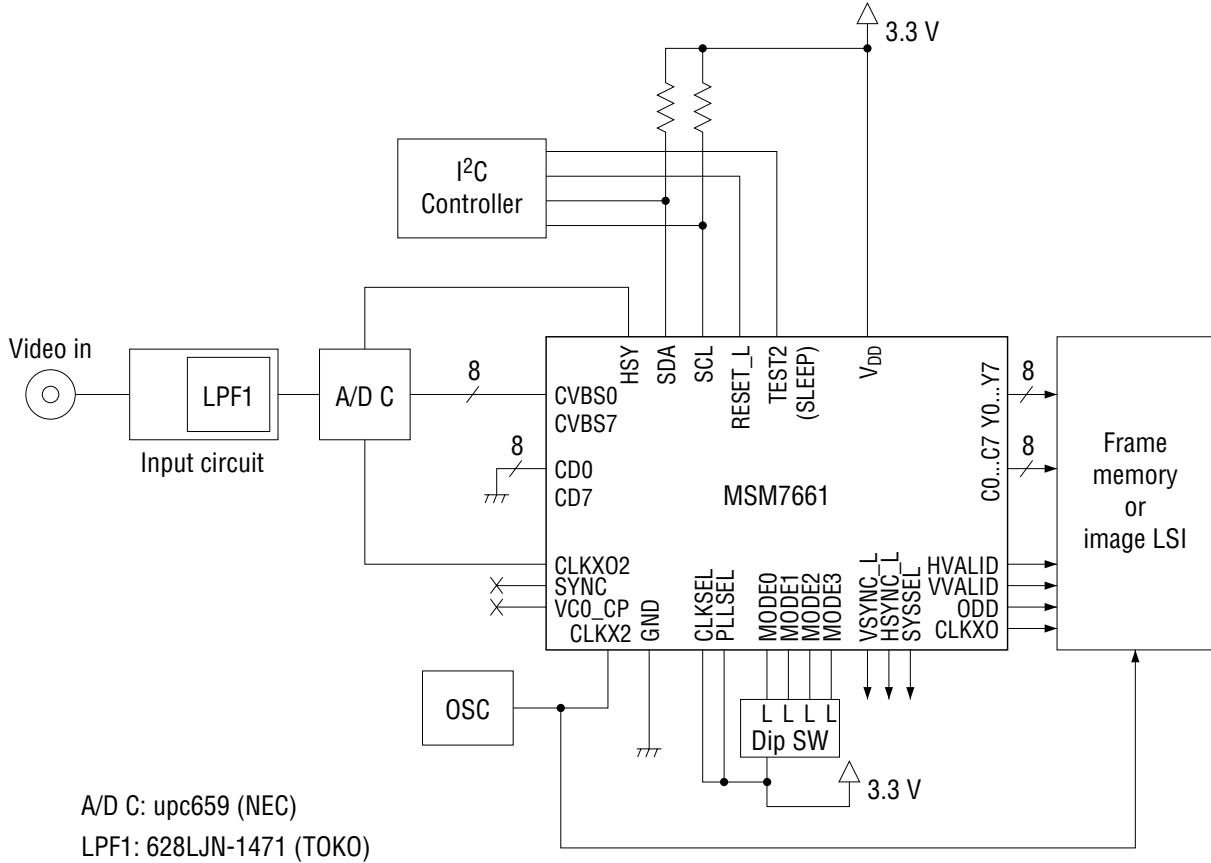


A/D C: CXD1179Q (SONY)
 LPF1: 628LJN-1471 (TOKO)

Application 2

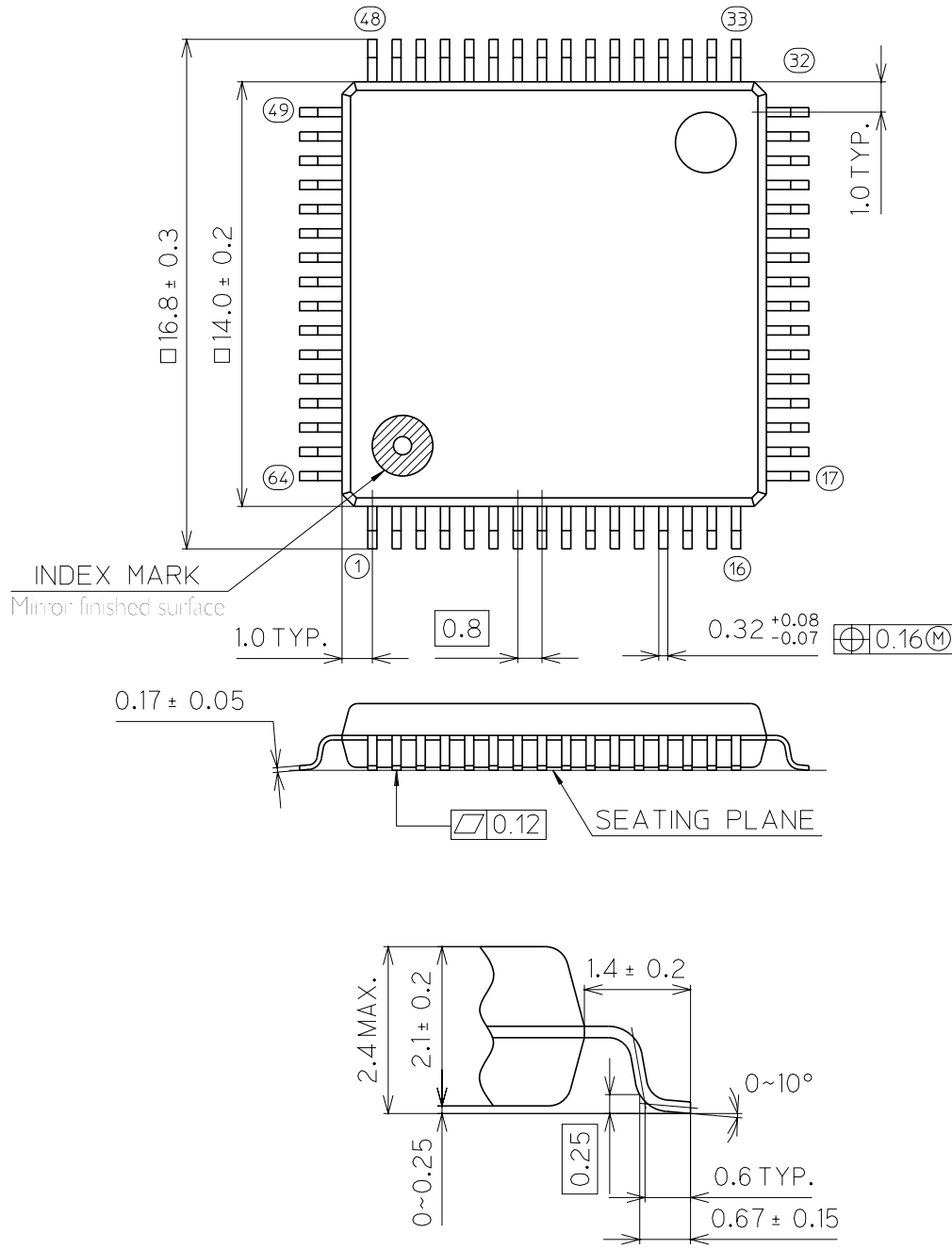
Mode setting

Video signal: NTSC-composite
 CLKX2: 13.5 MHz



PACKAGE OUTLINES AND DIMENSIONS

(Unit : mm)



64-Pin Plastic QFP