


AK4124

192kHz / 24Bit High Performance Asynchronous SRC

GENERAL DESCRIPTION

AK4124 is a stereo digital sample rate converter (SRC). The input sample rate ranges from 8kHz to 216kHz. The output sample rate is from 8kHz to 216kHz. By using the AK4124, the system can take very simple configuration because the AK4124 has an internal PLL and does not need any master clock at slave mode. Then the AK4124 is suitable for the application interfacing to different sample rates like high-end Car Audio, DVD recorder, etc.

FEATURES

1. SRC

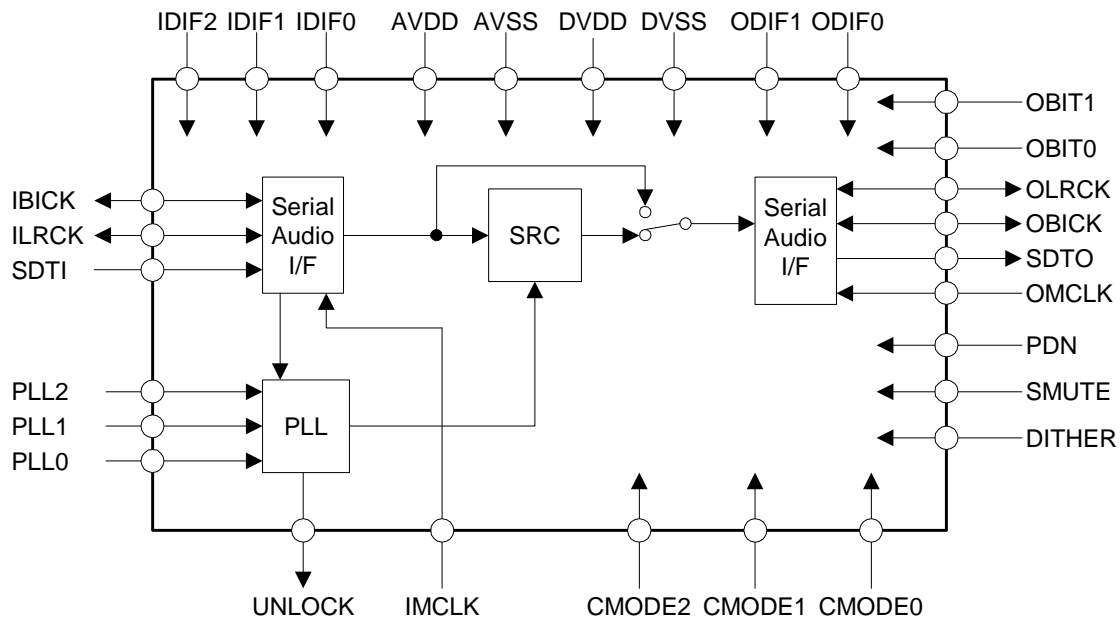
- Asynchronous Sample Rate Converter
- Input Sample Rate Range (fsi) : 8kHz ~ 216kHz
- Output Sample Rate (fso) : 8kHz ~ 216kHz
- Input to Output Sample Rate Ratio : 1/6 to 6
- THD+N : -130dB
- Dynamic Range : 140dB (A-weighted)
- I/F format : MSB justified, LSB justified and I²S compatible
- PLL for Internal Operation Clock
- Clock for Master mode : 128/192/256/384/512/768fsi, 128/192/256/384/512/768fso
- SRC Bypass mode
- Soft Mute Function

2. Power Supply

- AVDD, DVDD: 3.0 ~ 3.6V (typ. 3.3V)

3. Ta = -40 ~ 85°C

4. Package : 30pin VSOP



■ Ordering Guide

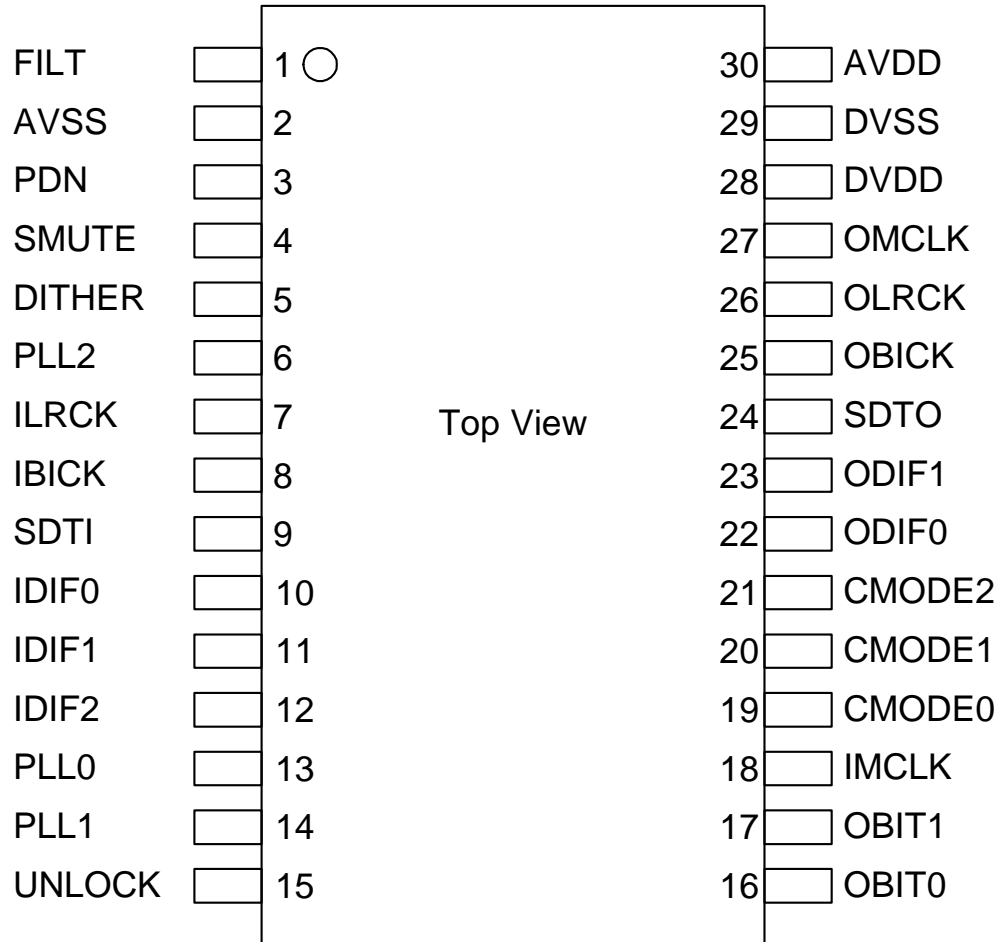
AK4124VF
AKD4124

-40 ~ +85°C

30pin VSOP (0.65mm pitch)

Evaluation Board for AK4124

■ Pin Layout



■ Compatibility with AK4121

	AK4124	AK4121
Pin 5	DITHER	DEM0
Pin 6	PLL2	DEM1
THD+N	-130dB	-113dB
D-Range (A-weighted)	140dB	117dB
Gain between Input and Output Signal	-0.01dB (typ)	-0.2dB (typ)
fs	8kHz ~ 216kHz	8kHz ~ 96kHz
Master mode for Input PORT	Yes	No
MCLK for Master mode (Input PORT)	128/192/256/384/512/768fsi	No
MCLK for Master mode (Output PORT)	128/192/256/384/512/768fso	256/384/512/768fso
Output Data Length	16/18/20/24 bit	16/20 bit
De-emphasis Filter	No	Yes (32k/44.1k/48kHz)
PLL Unlock Flag (UNLOCK pin)	Yes	No
5V tolerant	No	Yes (TVDD)
Package	30VSOP	24VSOP

PIN/FUNCTION			
No.	Pin Name	I/O	Function
1	FILT	O	PLL Loop Filter Pin
2	AVSS	-	Analog Ground Pin
3	PDN	I	Power-Down Mode Pin “H”: Power up, “L”: Power down reset and initializes the control register.
4	SMUTE	I	Soft Mute Pin “H” : Soft Mute, “L” : Normal Operation
5	DITHER	I	Dither Enable Pin “H” : Dither ON, “L” : Dither OFF
6	PLL2	I	PLL Mode Select 2 Pin
7	ILRCK	I/O	Input Channel Clock Pin
8	IBICK	I/O	Audio Serial Data Clock Pin
9	SDTI	I	Audio Serial Data Input Pin
10	IDIF0	I	Audio Interface Format 0 Pin for Input PORT
11	IDIF1	I	Audio Interface Format 1 Pin for Input PORT
12	IDIF2	I	Audio Interface Format 2 Pin for Input PORT
13	PLL0	I	PLL Mode Select 0 Pin
14	PLL1	I	PLL Mode Select 1 Pin
15	UNLOCK	O	Unlock Status Pin
16	OBIT0	I	Bit Length Select 0 Pin for Output Data
17	OBIT1	I	Bit Length Select 1 Pin for Output Data
18	IMCLK	I	Master Clock Input Pin for Input PORT
19	CMODE0	I	Clock Mode Select 0 Pin
20	CMODE1	I	Clock Mode Select 1 Pin
21	CMODE2	I	Clock Mode Select 2 Pin
22	ODIF0	I	Audio Interface Format 0 Pin for Output PORT
23	ODIF1	I	Audio Interface Format 1 Pin for Output PORT
24	SDTO	O	Audio Serial Data Output Pin for Output PORT
25	OBICK	I/O	Audio Serial Data Clock Pin for Output PORT
26	OLRCK	I/O	Output Channel Clock Pin for Output PORT
27	OMCLK	I	Master Clock Input Pin for Output PORT
28	DVDD	-	Digital Power Supply Pin, 3.0 ~ 3.6V
29	DVSS	-	Digital Ground Pin
30	AVDD	-	Analog Power Supply Pin, 3.0 ~ 3.6V

Note: All input pins should not be left floating.

■ Handling of Unused pins

The unused digital I/O pins should be processed appropriately as below.

Classification	Pin Name	Setting
Analog	FILT	This pin should be open.
Digital	SMUTE, DITHER	These pins should be connected to DVSS.
	IMCLK, OMCLK	These pins should be connected to DVSS in slave mode.
	UNLOCK	This pin should be open.

ABSOLUTE MAXIMUM RATINGS

(AVSS, DVSS=0V; Note 1)

Parameter		Symbol	min	max	Units
Power Supplies:	Analog	AVDD	-0.3	4.6	V
	Digital	DVDD	-0.3	4.6	V
	AVSS - DVSS (Note 2)	ΔGND	-	0.3	V
Input Current, Any Pin Except Supplies		IIN	-	±10	mA
Digital Input Voltage		VIND	-0.3	DVDD+0.3	V
Ambient Temperature (Power applied)		Ta	-40	85	°C
Storage Temperature		Tstg	-65	150	°C

Note 1. All voltages with respect to ground.

Note 2. AVSS, BVSS and DVSS must be connected to the same ground.

WARNING: Operation at or beyond these limits may result in permanent damage to the device.
Normal operation is not guaranteed at these extremes.

RECOMMENDED OPERATING CONDITIONS

(AVSS, DVSS=0V; Note 1)

Parameter		Symbol	min	typ	max	Units
Power Supplies (Note 3)	Analog	AVDD	3.0	3.3	3.6	V
	Digital	DVDD	3.0	3.3	AVDD	V

Note 1. All voltages with respect to ground.

Note 3. The power up sequence between AVDD and DVDD is not critical.

WARNING: AKM assumes no responsibility for the usage beyond the conditions in this datasheet.

SRC CHARACTERISTICS

(Ta=25°C; AVDD=DVDD=3.3V; AVSS=DVSS=0V; data = 24bit; measurement bandwidth = 20Hz ~ FSO/2; unless otherwise specified.)

Parameter	Symbol	min	typ	max	Units
SRC Characteristics:					
Resolution				24	Bits
Input Sample Rate	FSI	8		216	kHz
Output Sample Rate	FSO	8		216	kHz
THD+N (Input = 1kHz, 0dBFS, Note 4)					
FSO/FSI = 44.1kHz/48kHz		-	-130	-	dB
FSO/FSI = 48kHz/44.1kHz		-	-124	-	dB
FSO/FSI = 48kHz/192kHz		-	-129	-	dB
FSO/FSI = 192kHz/48kHz		-	-124	-	dB
Worst Case (FSO/FSI = 48kHz/8kHz)		-	-	-108	dB
Dynamic Range (Input = 1kHz, -60dBFS, Note 4)					
FSO/FSI = 44.1kHz/48kHz		-	136	-	dB
FSO/FSI = 48kHz/44.1kHz		-	136	-	dB
FSO/FSI = 48kHz/192kHz		-	136	-	dB
FSO/FSI = 192kHz/48kHz		-	132	-	dB
Worst Case (FSO/FSI = 48kHz/32kHz)		132	-	-	dB
Dynamic Range (Input = 1kHz, -60dBFS, A-weighted, Note 4)					
FSO/FSI = 44.1kHz/48kHz		-	140	-	dB
Ratio between Input and Output Sample Rate	FSO/FSI	1/6		6	-

Note 4. Measured by Audio Precision System Two Cascade.

FILTER CHARACTERISTICS						
(Ta=25°C; AVDD, DVDD=3.0 ~ 3.6V)						
Parameter	Symbol	min	typ	max	Units	
Digital Filter						
Passband -0.001dB	$0.985 \leq \text{FSO/FSI} \leq 6.000$	PB	0		0.4583FSI	kHz
	$0.905 \leq \text{FSO/FSI} < 0.985$	PB	0		0.4167FSI	kHz
	$0.714 \leq \text{FSO/FSI} < 0.905$	PB	0		0.3195FSI	kHz
	$0.656 \leq \text{FSO/FSI} < 0.714$	PB	0		0.2852FSI	kHz
	$0.536 \leq \text{FSO/FSI} < 0.656$	PB	0		0.2182FSI	kHz
	$0.492 \leq \text{FSO/FSI} < 0.536$	PB	0		0.1982FSI	kHz
	$0.452 \leq \text{FSO/FSI} < 0.492$	PB	0		0.1740FSI	kHz
	$0.357 \leq \text{FSO/FSI} < 0.452$	PB	0		0.1212FSI	kHz
	$0.324 \leq \text{FSO/FSI} < 0.357$	PB	0		0.1072FSI	kHz
	$0.246 \leq \text{FSO/FSI} < 0.324$	PB	0		0.0595FSI	kHz
	$0.226 \leq \text{FSO/FSI} < 0.246$	PB	0		0.0484FSI	kHz
	$0.1667 \leq \text{FSO/FSI} < 0.226$	PB	0		0.0182FSI	kHz
Stopband	$0.985 \leq \text{FSO/FSI} \leq 6.000$	SB	0.5417FSI			kHz
	$0.905 \leq \text{FSO/FSI} < 0.985$	SB	0.5021FSI			kHz
	$0.714 \leq \text{FSO/FSI} < 0.905$	SB	0.3965FSI			kHz
	$0.656 \leq \text{FSO/FSI} < 0.714$	SB	0.3643FSI			kHz
	$0.536 \leq \text{FSO/FSI} < 0.656$	SB	0.2974FSI			kHz
	$0.492 \leq \text{FSO/FSI} < 0.536$	SB	0.2732FSI			kHz
	$0.452 \leq \text{FSO/FSI} < 0.492$	SB	0.2510FSI			kHz
	$0.357 \leq \text{FSO/FSI} < 0.452$	SB	0.1983FSI			kHz
	$0.324 \leq \text{FSO/FSI} < 0.357$	SB	0.1822FSI			kHz
	$0.246 \leq \text{FSO/FSI} < 0.324$	SB	0.1366FSI			kHz
	$0.226 \leq \text{FSO/FSI} < 0.246$	SB	0.1255FSI			kHz
	$0.1667 \leq \text{FSO/FSI} < 0.226$	SB	0.0911FSI			kHz
Passband Ripple	PR			±0.01		dB
Stopband Attenuation	SA	113				dB
Group Delay (Note 5)	GD	-	56	-		1/fs

Note 5. This value is the time from the rising edge of LRCK after data is input to rising edge of LRCK after data is output, when LRCK for Output data corresponds with LRCK for Input.

DC CHARACTERISTICS						
(Ta=25°C; AVDD, DVDD=3.0 ~ 3.6V)						
Parameter	Symbol	min	typ	max	Units	
High-Level Input Voltage	V _{IH}	70% DVDD	-	-		V
Low-Level Input Voltage	V _{IL}	-	-	30% DVDD		V
High-Level Output Voltage (I _{out} =-400μA)	V _{OH}	DVDD-0.4	-	-		V
Low-Level Output Voltage (I _{out} =400μA)	V _{OL}	-	-	0.4		V
Input Leakage Current	I _{in}	-	-	±10		μA
Power Supplies						
Power Supply Current						
Normal operation (PDN pin = "H")						
FSI=FSO=48kHz at Slave Mode: AVDD=DVDD=3.3V			13			mA
FSI=FSO=192kHz at Master Mode: AVDD=DVDD=3.3V			55			mA
: AVDD=DVDD=3.6V				85		mA
Power down (PDN pin = "L") (Note 6)						
AVDD+DVDD			10	100		μA

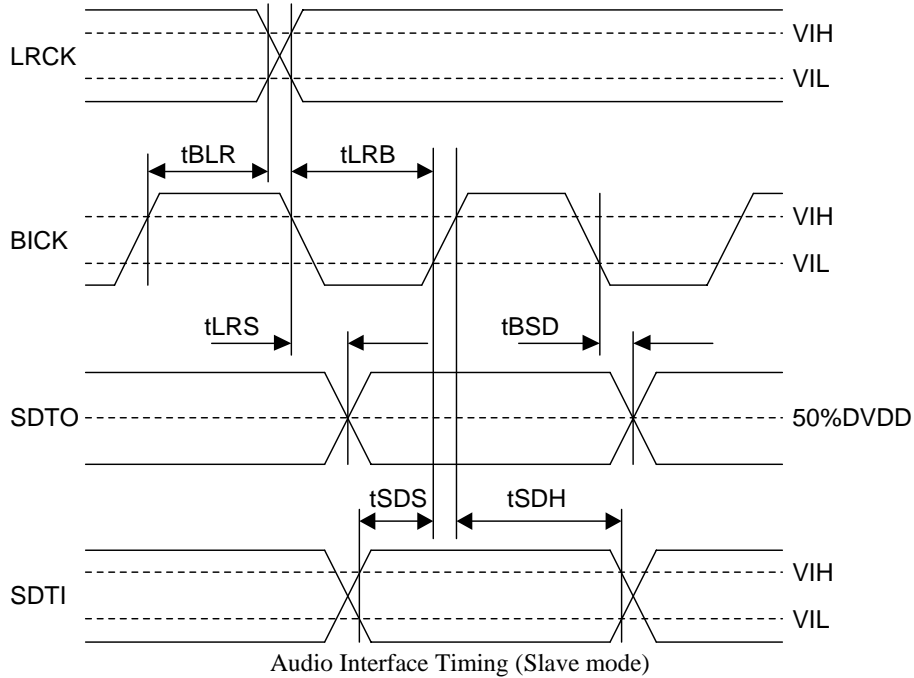
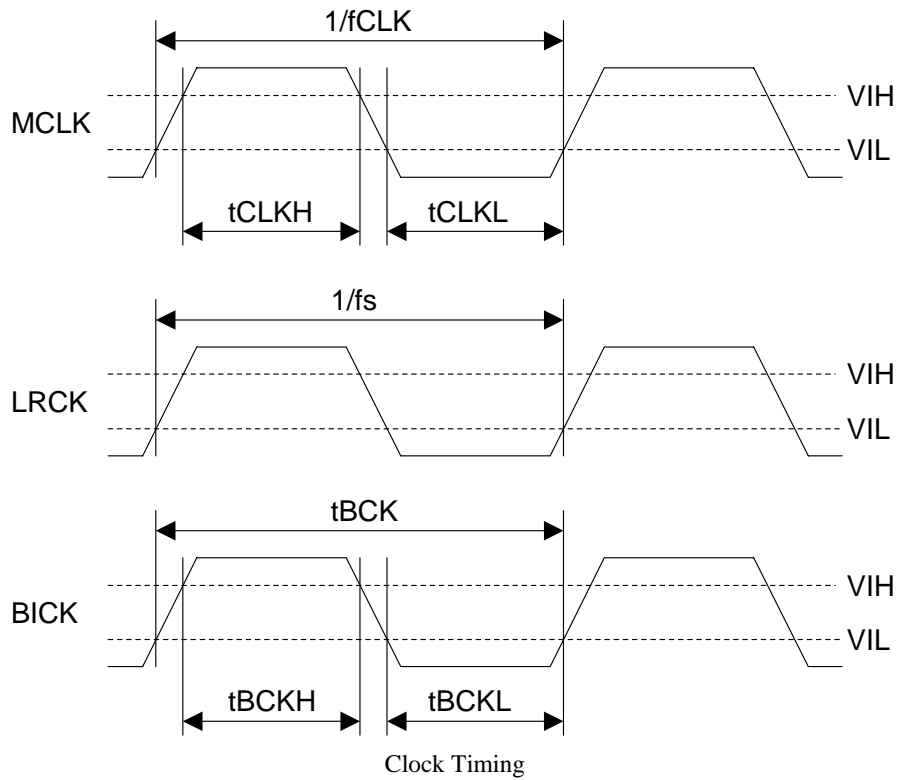
Note 6. All digital input pins are held DVSS.

SWITCHING CHARACTERISTICS					
(Ta=25°C; AVDD, DVDD=3.0 ~ 3.6V; CL=20pF)					
Parameter	Symbol	min	typ	max	Units
Master Clock Timing					
Frequency	fCLK	1.024		41.472	MHz
Pulse Width Low	tCLKL	0.4/fCLK			ns
Pulse Width High	tCLKH	0.4/fCLK			ns
LRCK for Input data (ILRCK)					
Frequency	fs	8		216	kHz
Duty Cycle	Duty	48	50	52	%
LRCK for Output data (OLRCK)					
Frequency	fs	8		216	kHz
Duty Cycle	Duty	48	50	52	%
	Slave Mode				
	Master Mode		50		%
Audio Interface Timing					
Input PORT (Slave mode)					
IBICK Period (8kHz ~ 108kHz)	tBCK	1/128fs			ns
(108kHz ~ 216kHz)	tBCK	1/64fs			ns
IBICK Pulse Width Low	tBCKL	27			ns
Pulse Width High	tBCKH	27			ns
ILRCK Edge to IBICK “↑” (Note 7)	tLRB	15			ns
IBICK “↑” to ILRCK Edge (Note 7)	tBLR	15			ns
SDTI Hold Time from IBICK “↑”	tSDH	15			ns
SDTI Setup Time to IBICK “↑”	tSDS	15			ns
Input PORT (Master mode)					
IBICK Frequency	fBCK		64fs		Hz
IBICK Duty	dBCK		50		%
IBICK “↓” to ILRCK	tMBLR	-20		20	ns
SDTI Hold Time from IBICK “↑”	tSDH	15			ns
SDTI Setup Time to IBICK “↑”	tSDS	15			ns
Output PORT (Slave mode)					
OBICK Period (8kHz ~ 108kHz)	tBCK	1/128fs			ns
(108kHz ~ 216kHz)	tBCK	1/64fs			ns
OBICK Pulse Width Low	tBCKL	27			ns
Pulse Width High	tBCKH	27			ns
OLRCK Edge to OBICK “↑” (Note 7)	tLRB	20			ns
OBICK “↑” to OLRCK Edge (Note 7)	tBLR	20			ns
OLRCK to SDTO (MSB) (Except I ² S mode)	tLRS			20	ns
OBICK “↓” to SDTO	tBSD			20	ns
Output PORT (Master mode)					
OBICK Frequency	fBCK		64fs		Hz
OBICK Duty	dBCK		50		%
OBICK “↓” to OLRCK	tMBLR	-20		20	ns
OBICK “↓” to SDTO	tBSD	-20		20	ns
Reset Timing					
PDN Pulse Width (Note 8)	tPD	150			ns

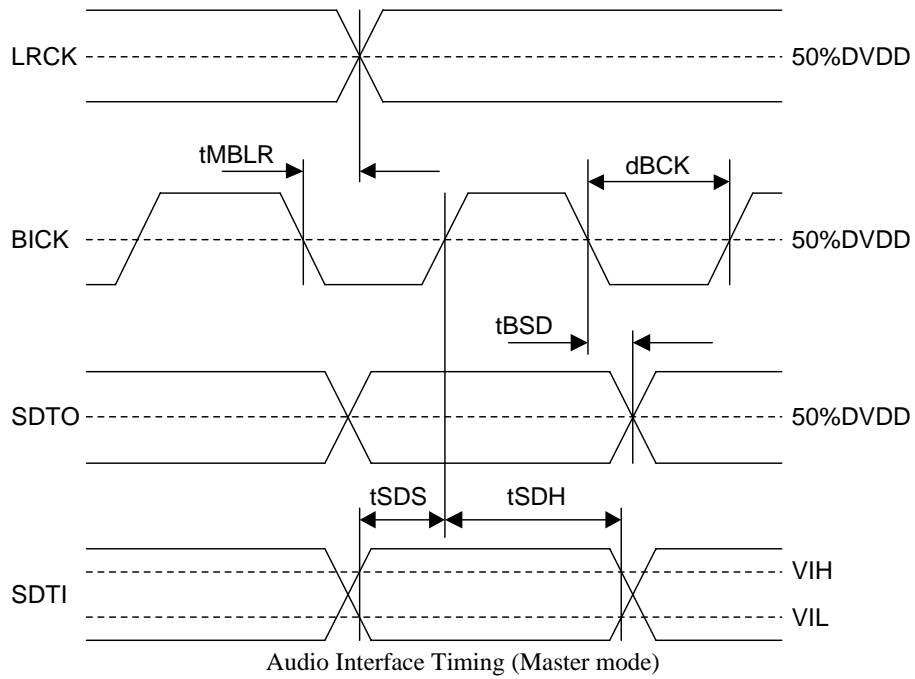
Note 7. BICK rising edge must not occur at the same time as LRCK edge.

Note 8. The AK4124 can be reset by bringing the PDN pin = “L”.

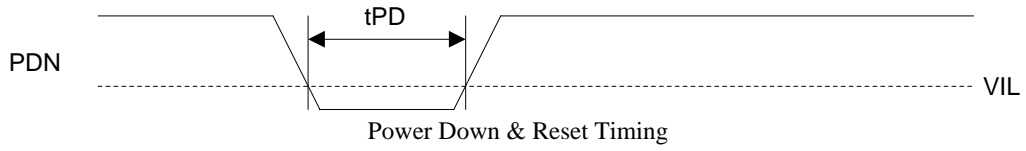
■ Timing Diagram



Note : BICK shows IBICK and OBICK, LRCK shows ILRCK and OLRCK.



Note : BICK shows IBICK and OBICK, LRCK shows ILRCK and OLRCK.



OPERATION OVERVIEW

■ **System Clock & Audio Interface Format for Input PORT**

The input port works in master mode or slave mode. An internal system clock is created by the internal PLL using ILRCK (Mode 0 ~ 2 of Table 2) or IBICK (Mode 4 ~ 7 of Table 2) in slave mode. The MCLK is not needed in slave mode. And an internal system clock is created by IMCLK (Mode 8 ~ 15 of Table 2) in master mode. The PLL2-0 pins and IDIF2-0 pins select the master/slave and PLL mode. The PLL2-0 pins and IDIF2-0 pins should be controlled when PDN pin = "L".

The IDIF2-0 pins select the audio interface format for the input port. The audio data is MSB first, 2's compliment format. The SDTI is latched on the rising edge of IBICK. Select the audio interface format when PDN pin = "L". When in BYPASS mode, both IBICK and OBICK are fixed to 64fs.

Mode	IDIF2	IDIF1	IDIF0	SDTI Format	ILRCK	IBICK	IBICK Freq	Master / Slave
0	L	L	L	16bit, LSB justified	Input	Input	≥ 32fsi	Slave
1	L	L	H	20bit, LSB justified			≥ 40fsi	
2	L	H	L	24/20bit, MSB justified			≥ 48fsi	
3	L	H	H	24/16bit, I ² S Compatible			≥ 48fsi or 32fsi	
4	H	L	L	24bit, LSB justified			≥ 48fsi	
5	H	L	H	24bit, MSB justified	Output	Output	64fs	Master
6	H	H	L	24bit, I ² S Compatible			64fs	
7	H	H	H	Reserved				

Table 1. Input Audio Interface Format (Input PORT)

Mode	Master / Slave	PLL2	PLL1	PLL0	ILRCK Freq	IBICK Freq	IMCLK	SMUTE (Note 5)
0	Slave IMCLK = DVSS IBICK = Input ILRCK = Input	L	L	L	8k ~ 96kHz	Depending on IDIF2-0	Not needed. (Note 4)	Manual
1		L	L	H	8k ~ 216kHz			
2		L	H	L	16k ~ 216kHz (Note 1)			
3		L	H	H	Reserved			
4		H	L	L	8k ~ 216kHz (Note 2)	32fsi (Note 3)	Not needed. (Note 4)	Manual
5		H	L	H		64fsi		
6		H	H	L		128fsi		
7	H	H	H	64fsi		Semi-Auto		
8	Master IMCLK = Input IBICK = Output ILRCK = Output	L	L	L	8k ~ 216kHz	64fs	128fs	Manual
9		L	L	H	8k ~ 108kHz		256fs	
10		L	H	L	8k ~ 54kHz		512fs	Semi-Auto
11		L	H	H	8k ~ 216kHz		128fs	
12		H	L	L	8k ~ 216kHz		192fs	Manual
13		H	L	H	8k ~ 108kHz		384fs	
14		H	H	L	8k ~ 54kHz		768fs	
15		H	H	H	8k ~ 216kHz		192fs	

Table 2. PLL Setting (Input PORT)

Note 1. PLL lock rage is changed by the value of R and C connected FILT pin. Refer to "PLL Loop Filter".

Note 2. The IBCIK must be continuous except when the clocks are changed.

Note 3. IBCIK = 32fsi is supported only 16bit LSB justified and I²S Compatible.

Note 4. Fixed to DVSS.

Note 5. Refer to "Soft Mute Operation" for Manual mode and Semi-Auto mode.

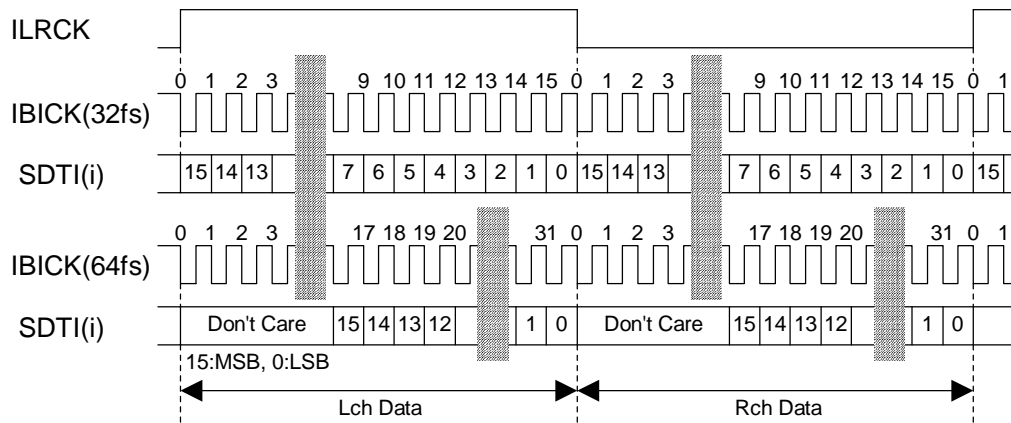


Figure 1. Mode 0 Timing

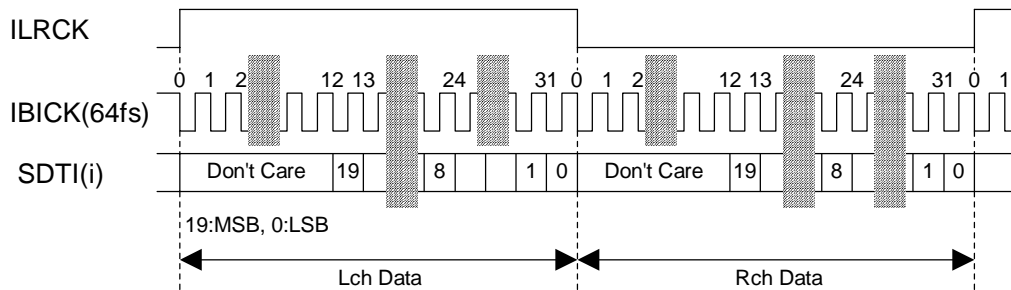


Figure 2. Mode 1 Timing

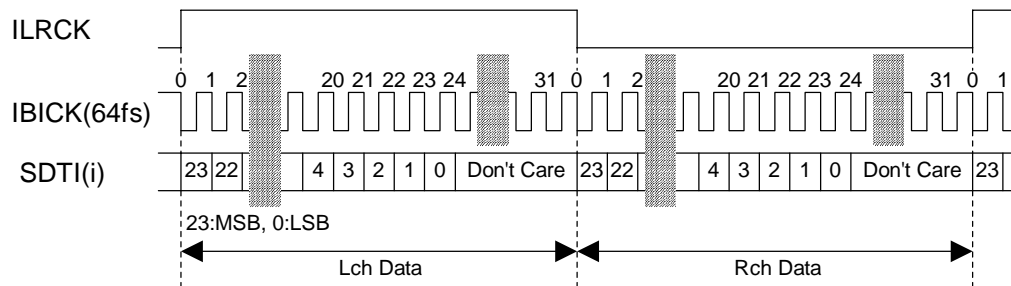


Figure 3. Mode 2,5 Timing (24bit MSB)

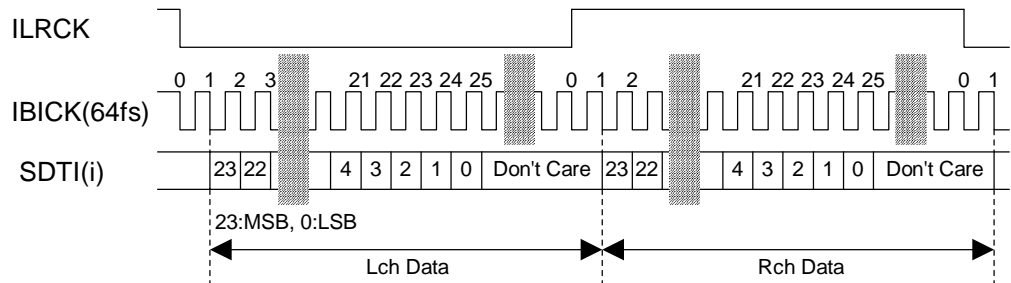


Figure 4. Mode 3, 6 Timing (24bit I²S)

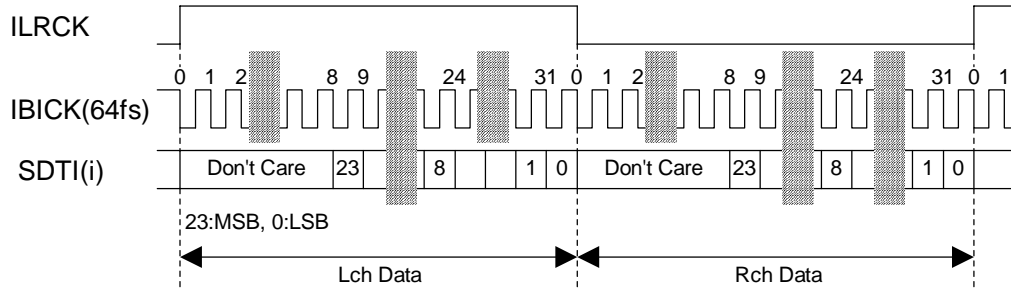


Figure 5. Mode 4 Timing

■ System Clock & Audio Interface Format for Output PORT

The output port works in master mode or slave mode. The MCLK is not needed in slave mode. The CMODE2-0 pins select the master/slave and bypass mode. The CMODE2-0 pins should be controlled when PDN pin = "L".

The ODIF1-0 pins and OBIT1-0 pins select the audio interface format for the output port. The audio data is MSB first, 2's compliment format. The SDTO is clocked out on the falling edge of OBICK. Select the audio interface format when PDN pin = "L". When in BYPASS mode, both IBICK and OBICK are fixed to 64fs.

Mode	CMODE2	CMODE1	CMODE0	Master / Slave	OMCLK	fso
0	L	L	L	Master	256fso	8k ~ 108kHz
1	L	L	H	Master	384fso	8k ~ 108kHz
2	L	H	L	Master	512fso	8k ~ 54kHz
3	L	H	H	Master	768fso	8k ~ 54kHz
4	H	L	L	Slave	Not used. Set to DVSS.	8k ~ 216kHz
5	H	L	H	Master	128fso	8k ~ 216kHz
6	H	H	L	Master	192fso	8k ~ 216kHz
7	H	H	H	Master (Bypass)	Not used. Set to DVSS.	8k ~ 216kHz

Table 3. Master/Slave Control (Output PORT)

Mode	ODIF1	ODIF0	SDTO Format
0	L	L	LSB justified
1	L	H	(Reserved)
2	H	L	MSB justified
3	H	H	I ² S Compatible

Table 4. Output Audio Interface Format 1 (Output PORT)

Mode	Master / Slave	OBIT1	OBIT0	SDTO	OLRCK	OBICK	OBICK Frequency	
							MSB justified, I ² S	LSB justified
0	Slave CMODE2-0 = "HLL"	L	L	16bit	Input	Input	≥ 32fso	64fso
1		L	H	18bit			≥ 36fso	
2		H	L	20bit			≥ 40fso	
3		H	H	24bit			≥ 48fso	
4	Master Except CMODE2-0 = "HLL"	L	L	16bit	Output	Output	64fso	
5		L	H	18bit				
6		H	L	20bit				
7		H	H	24bit				

Table 5. Output Audio Interface Format 2 (Output PORT)

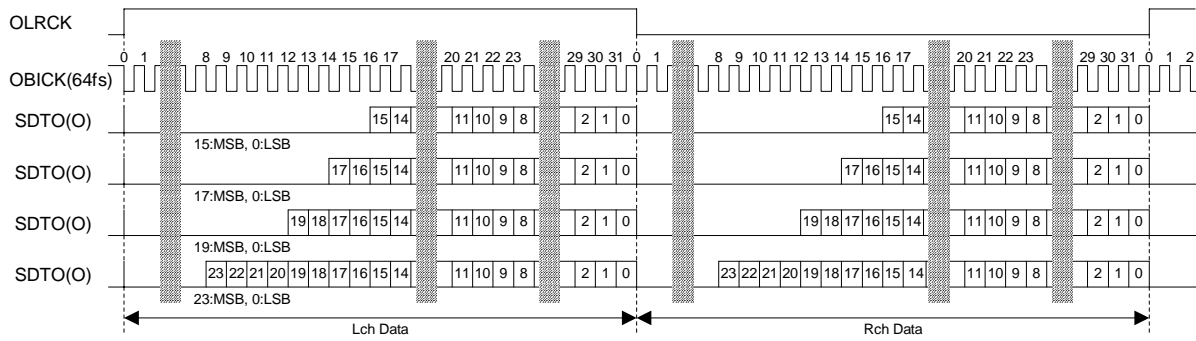


Figure 6. LSB Timing

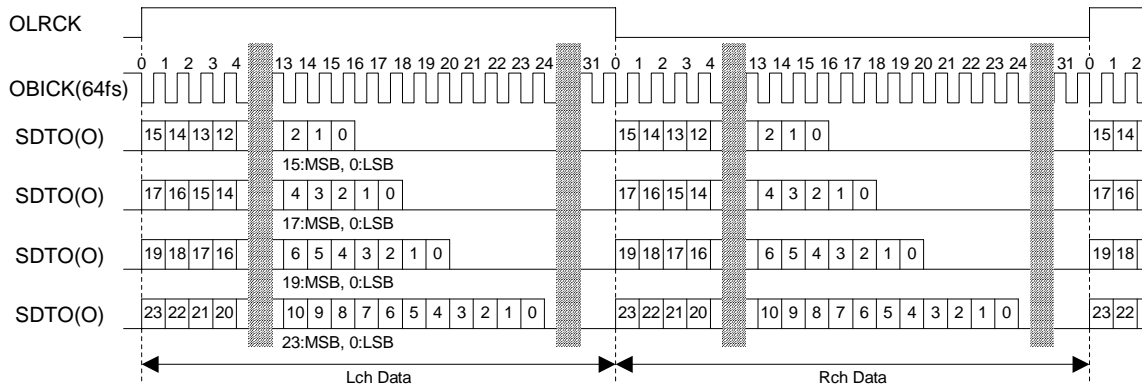


Figure 7. MSB Timing

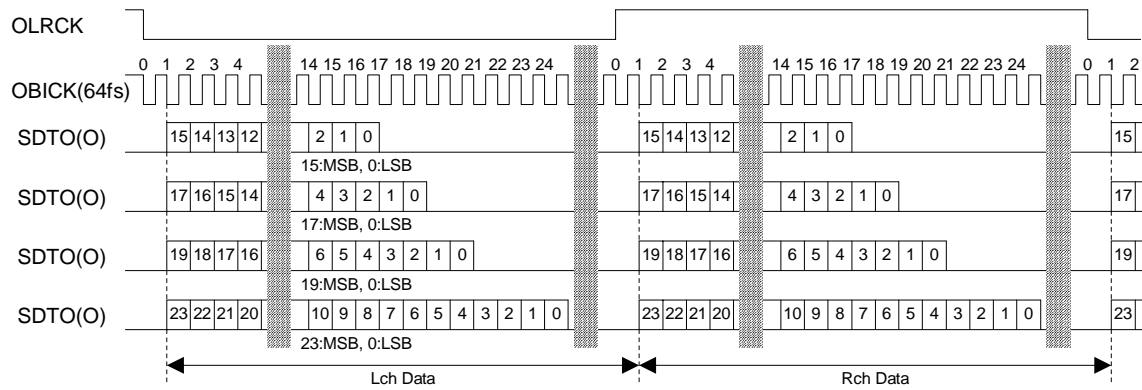


Figure 8. I²S Compatible Timing

■ Soft Mute Operation

1. Manual mode

Soft mute operation is performed in the digital domain of the SRC output. Soft mute can be controlled by SMUTE pin. When SMUTE pin goes “H”, the SRC output data is attenuated by $-\infty$ within 1024 OLRCK cycles. When the SMUTE pin goes “L” the mute is cancelled and the output attenuation gradually changes to 0dB during 1024 OLRCK cycles. If the soft mute is cancelled before mute state after starting of the operation, the attenuation is discontinued and returned to 0dB by the same cycles. The soft mute is effective for changing the signal source.

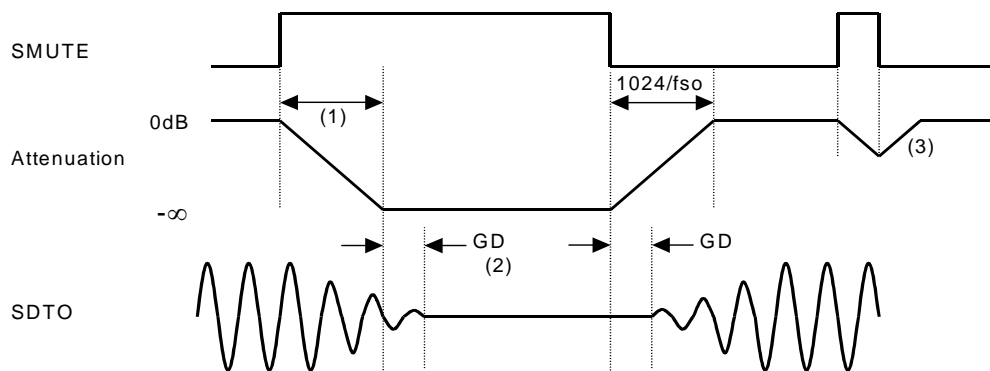


Figure 9. Soft Mute Function (Manual Mode)

- (1) The output data is attenuated by $-\infty$ during 1024 OLRCK cycles ($1024/f_{so}$).
- (2) Digital output delay from the digital input is called the group delay (GD).
- (3) If the soft mute is cancelled before attenuating to $-\infty$ after starting the operation, the attenuation is discontinued and returned to 0dB by the same number of clock cycles.

2. Semi-Auto mode

The soft mute is cancelled automatically by the setting of PLL2-0 pins (refer to Table 2), after the AK4124 detects the rising edge (PDN pin = “L” → “H”) and the mute is continued during $4410/f_{so}=100\text{ms}@f_{so}=44.1\text{kHz}$. After PDN pin = “L” → “H” and when SMUTE pin is “H”, the mute is not cancelled.

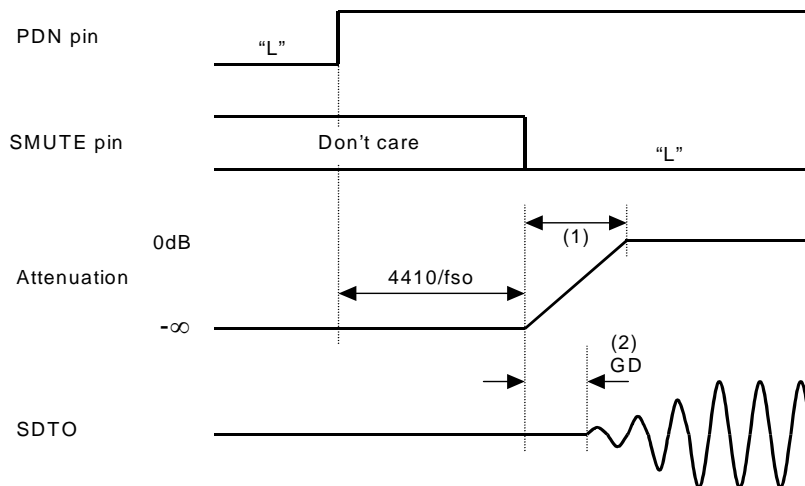


Figure 10. Soft Mute Function (Semi-Auto Mode)

- (1) The output data is attenuated by $-\infty$ during 1024 OLRCK cycles ($1024/f_{so}$).
- (2) Digital output delay from the digital input is called the group delay (GD).

■ Dither

The AK4124 has the dither circuit. The dither circuit adds the dither to the LSB of the output data set with the OBIT1-0 pins by DITHER pin = "H" regardless of the SRC mode or the SRC bypass mode.

■ System Reset

Bringing the PDN pin = "L" sets the AK4124 power-down mode and initializes the digital filter. The AK4124 should be reset once by bringing PDN pin = "L" upon power-up. When PDN pin = "L", the SDTO output is "L". The SDTO valid time is 100ms. Until then, the SDTO outputs "L".

Case 1

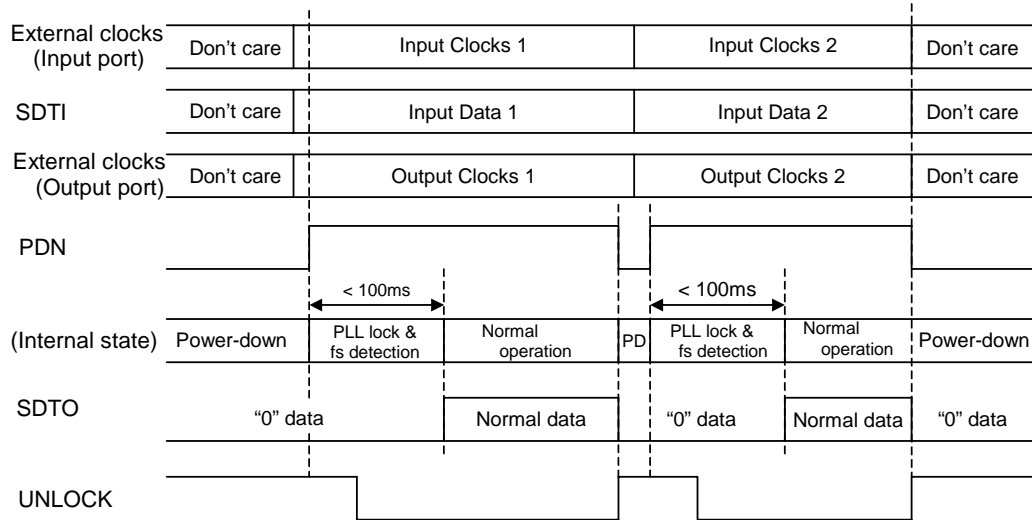


Figure 11. System Reset

Case 2

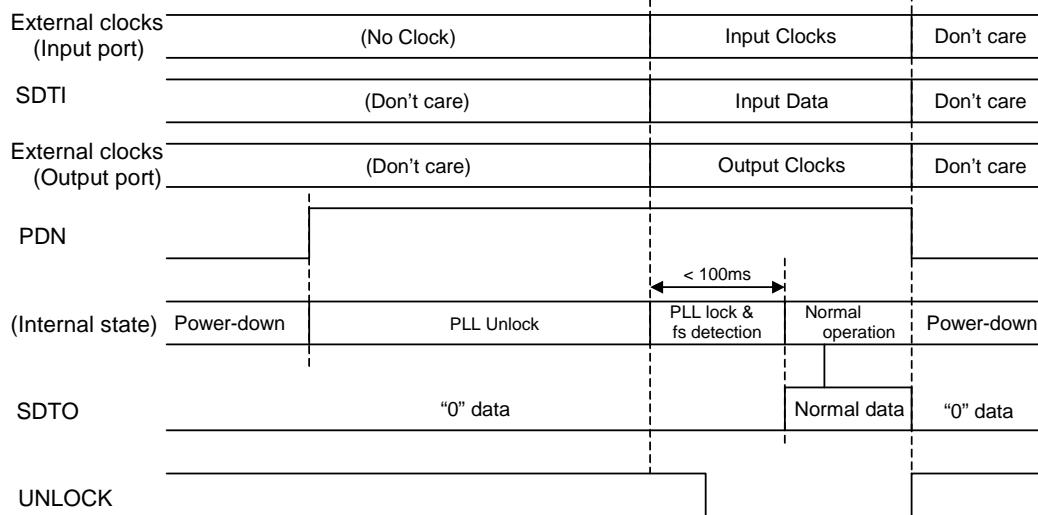


Figure 12. System Reset 2

■ Internal Reset Function for Clock Change

The change of the clock supplied to AK4124 is shown in Figure 13. When the frequency transition occurs gradually without phase change or the clock of output port is changed keeping $f_{s0}/f_{s1} > 4$, the internal reset is not executed and the SDTO takes time over 100ms to output normal data. To output normal data within 100ms, please reset by PDN pin = "L".

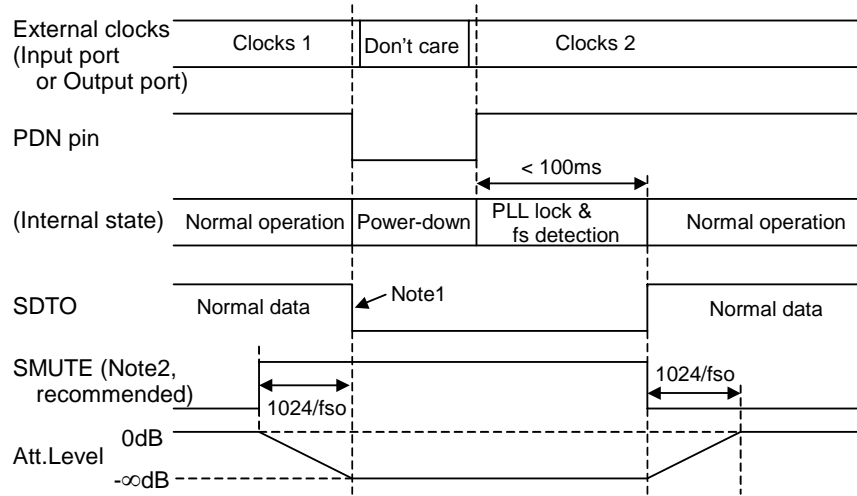


Figure 13. Sequence of changing clocks

Note 1. The data on SDTO may cause a clicking noise. To prevent this, set SDTI to "0" from GD before PDN pin goes "L", which will cause the data on SDTO to remain "0".

Note 2. SMUTE can also be used to remove the unknown data.

■ UNLOCK pin

The UNLOCK pin outputs "L" when the internal PLL is locked. When the internal PLL is unlocked, the UNLOCK pin outputs "H". When PDN pin = "L", the UNLOCK pin outputs "H".

■ PLL Loop Filter

The C1 and R should be connected in series and attached between FILT pin and AVSS in parallel with C2. Please be careful the noise onto the FILT pin. When using IBICK, the value of an external element doesn't depend on the IBICK input frequency.

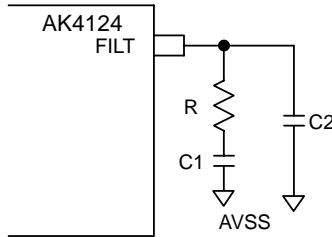


Figure 14. PLL Loop Filter

[Input PORT in slave mode]

1. When using ILRCK

PLL2	PLL1	PLL0	ILRCK	R [Ω]	C1 [μ F]	C2 [nF]
L	L	L	8k ~ 96kHz	1.8k \pm 5%	0.68 \pm 30%	0.68 \pm 30%
L	L	H	8k ~ 216kHz	1k \pm 5%	1.0 \pm 30%	2.2 \pm 30%
			16k ~ 216kHz	1.5k \pm 5%	0.68 \pm 30%	0.68 \pm 30%
L	H	L	8k ~ 216kHz	1k \pm 5%	1.0 \pm 30%	2.2 \pm 30%
			16k ~ 216kHz	1.5k \pm 5%	0.68 \pm 30%	0.68 \pm 30%

Table 6. PLL Loop Filter (ILRCK Mode)

- Note. The mode of between 16kHz and 216kHz the capacitor value (C1, C2) can be small.

2. When using IBICK

PLL2	PLL1	PLL0	ILRCK	R [Ω]	C1 [μ F]	C2 [nF]
H	*	*	8k ~ 216kHz	470 \pm 5%	0.22 \pm 30%	1.0 \pm 30%

Table 7. PLL Loop Filter (IBICK Mode, *: Don't care)

Note. The IBCIK must be continuous except when the clocks are changed.

Note. IBCIK = 32fs is supported only 16bit LSB justified and I²S Compatible.

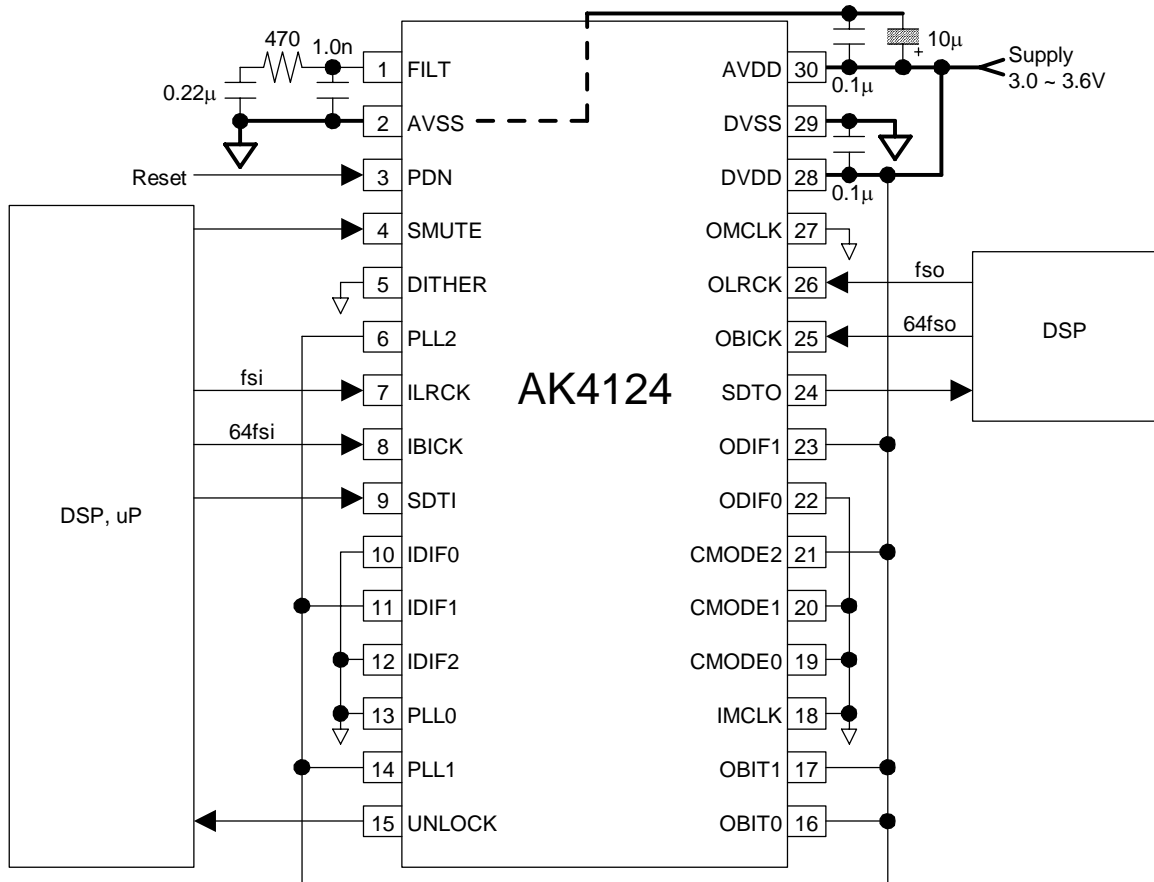
[Input PORT in master mode]

1. When IMCLK is 256fs, 384fs, 512fs or 768fs, an external element is not needed.
2. When IMCLK is 128fs or 192fs in master mode, an external element is needed in case of using IBICK.

SYSTEM DESIGN

Figure 15 shows the system connection diagram. An evaluation board is available which demonstrates application circuits, the optimum layout, power supply arrangements and measurement results.

- Input PORT : Slave Mode, IBICK lock mode (64fsi), 24bit MSB justified
- Output PORT : Slave mode, 24bit MSB justified
- Dither = OFF

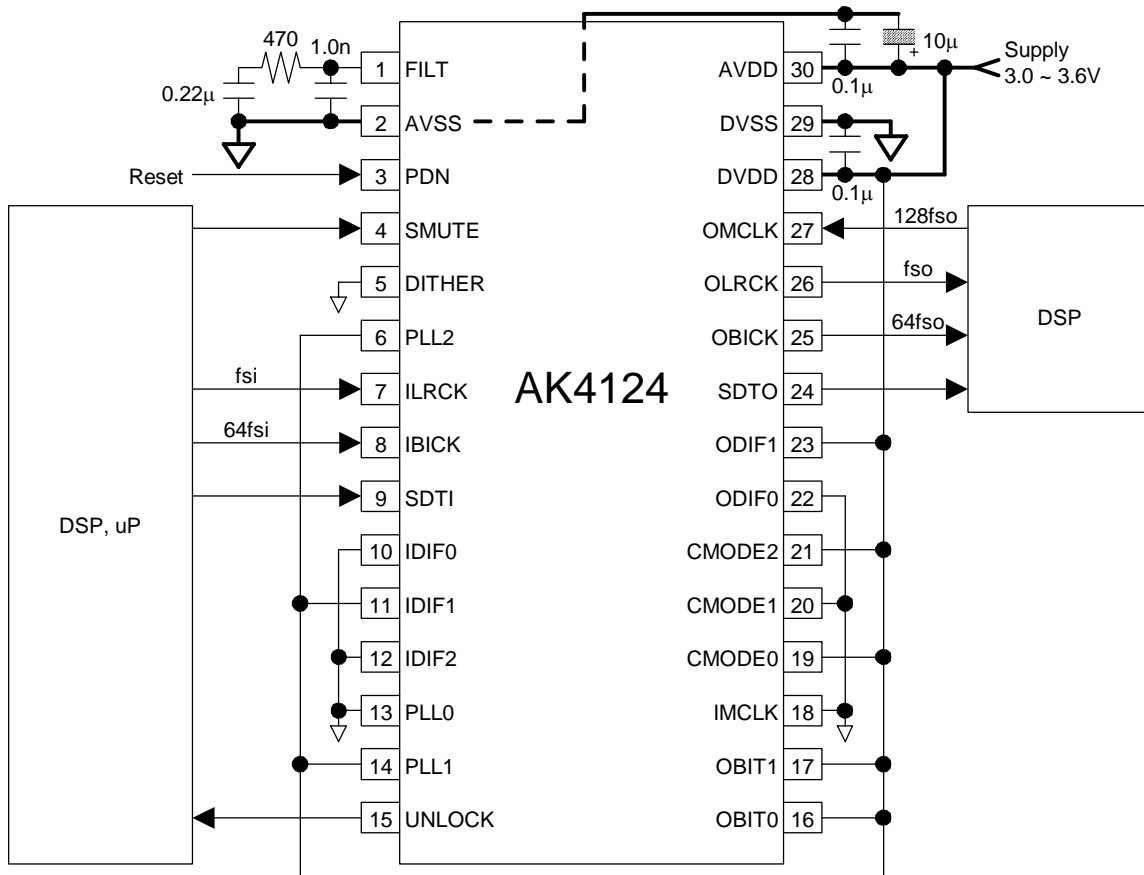


Note:

- AVSS and DVSS of the AK4124 should be distributed separately from the ground of external digital devices (MPU, DSP etc.).
- All digital input pins should not be left floating.

Figure 15. Typical Connection Diagram (Slave mode)

- Input PORT : Slave Mode, IBICK lock mode (64fsi), 24bit MSB justified
- Output PORT : Master mode, 24bit MSB justified
- Dither = OFF



Note:

- AVSS and DVSS of the AK4124 should be distributed separately from the ground of external digital devices (MPU, DSP etc.).
- All digital input pins should not be left floating.

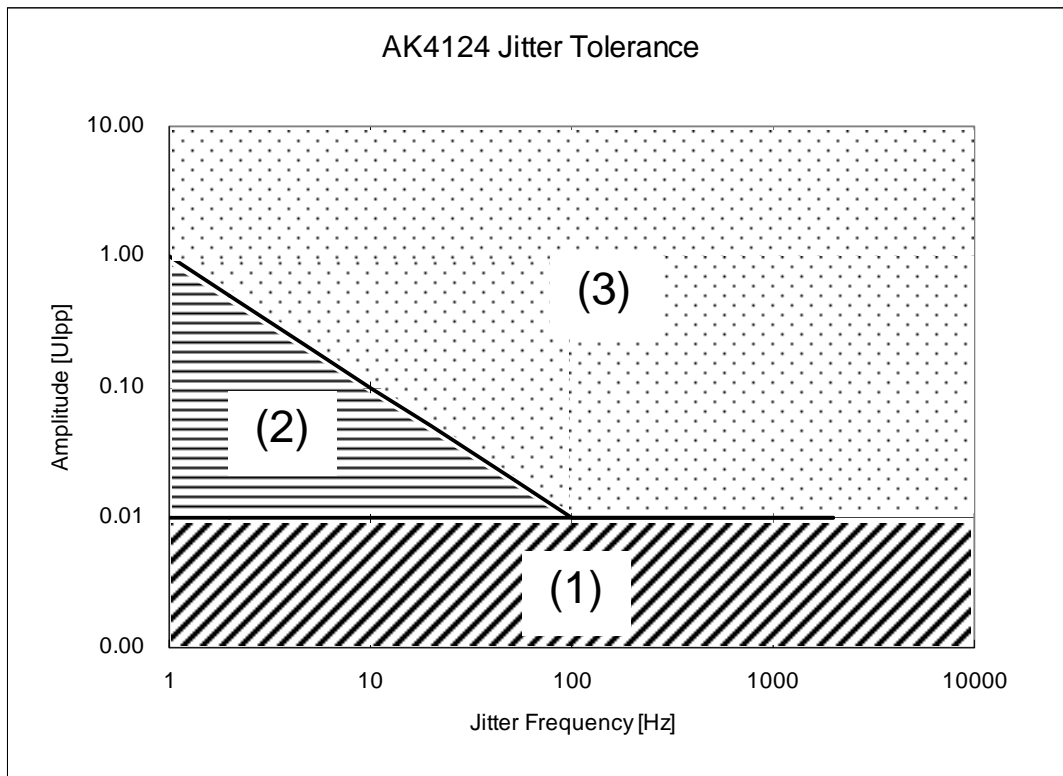
Figure 16. Typical Connection Diagram (Master mode)

1. Grounding and Power Supply Decoupling

The AK4124 requires careful attention to power supply and grounding arrangements. Alternatively if AVDD and DVDD are supplied separately, the power up sequence is not critical. Decoupling capacitors should be as near to the AK4124 as possible, with the small value ceramic capacitor being the nearest.

2. Jitter Tolerance

Figure 17 shows the jitter tolerance to ILRCK and IBICK for AK4124. The jitter frequency and the jitter amplitude shown in Figure 17 define the jitter quantity. When the jitter amplitude is 0.01UIpp or less, the AK4124 operate normally regardless of the jitter frequency.



- (1) Normal operation
- (2) There is a possibility that the distortion degrades. (It may degrade up to about -50dB.)
- (3) There is a possibility that the output data is lost.

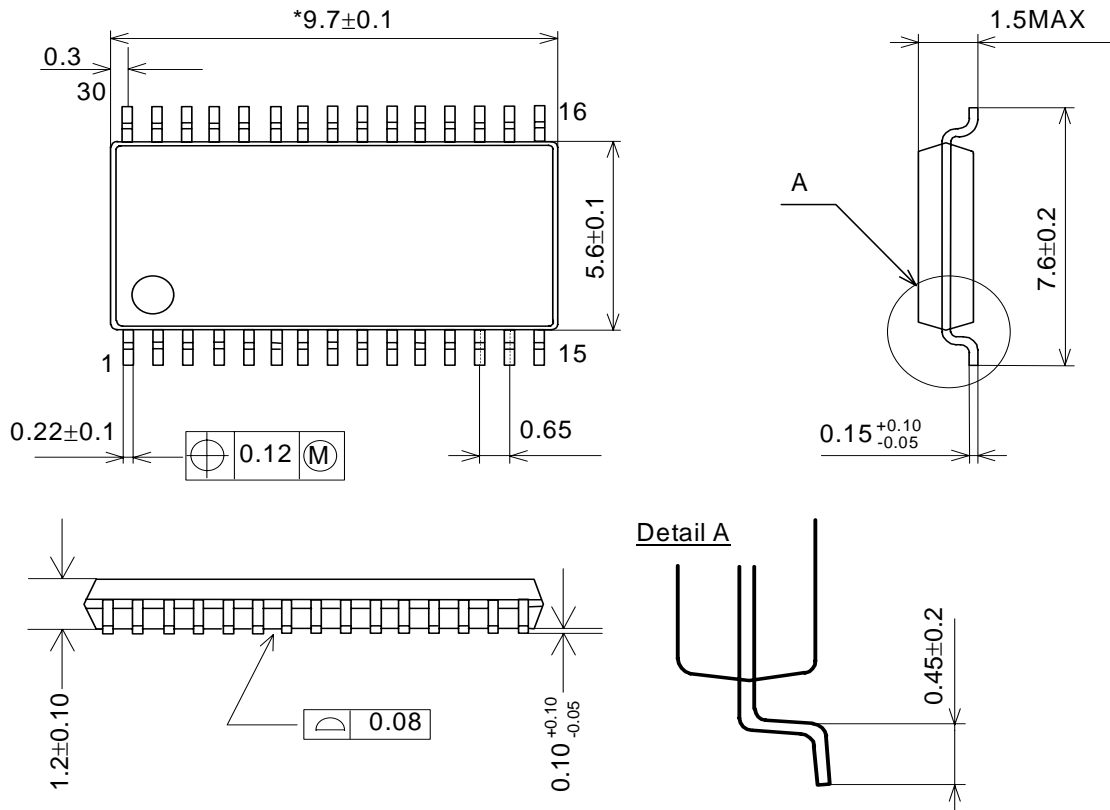
Note:

- When PLL2-0 = "L/L/L", "L/L/H", "L/H/L", the jitter amplitude is for ILRCK and 1UI (Unit Interval) is one cycle of ILRCK. When FSI = 48kHz, 1UI is $1/48\text{kHz} = 20.8\mu\text{s}$.
- When PLL2-0 = "H/*/*" (*: Don't care), the jitter amplitude is for IBICK and 1UI (Unit Interval) is one cycle of IBICK. When FSI = 48kHz, 1UI is $1/(64 \times 48\text{kHz}) = 326\text{ns}$.

Figure 17. Jitter Tolerance

PACKAGE

30pin VSOP (Unit: mm)

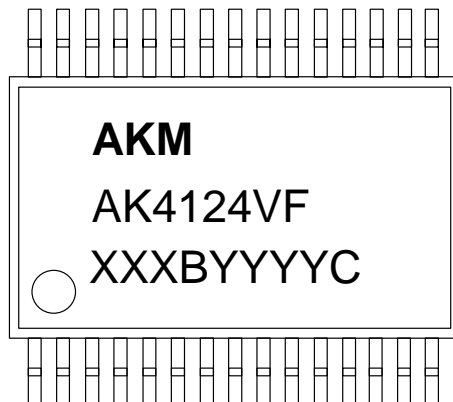


NOTE: Dimension "*" does not include mold flash.

Material & Lead finish

Package molding compound:	Epoxy
Lead frame material:	Cu
Lead frame surface treatment:	Solder (Pb free) plate

MARKING



XXXXBYYYYC Date code identifier

XXXXB :Lot number (X : Digit number, B : Alpha character)
 YYYYYC : Assembly date (Y : Digit number, C : Alpha character)

Revision History

Date (YY/MM/DD)	Revision	Reason	Page	Contents
04/01/26	00	First Edition		
04/08/09	01	Add Spec	7	Add FILTER CHARACTERISTICS
		Add Spec	21	Add Jitter Tolerance

IMPORTANT NOTICE

- These products and their specifications are subject to change without notice. Before considering any use or application, consult the Asahi Kasei Microsystems Co., Ltd. (AKM) sales office or authorized distributor concerning their current status.
- AKM assumes no liability for infringement of any patent, intellectual property, or other right in the application or use of any information contained herein.
- Any export of these products, or devices or systems containing them, may require an export license or other official approval under the law and regulations of the country of export pertaining to customs and tariffs, currency exchange, or strategic materials.
- AKM products are neither intended nor authorized for use as critical components in any safety, life support, or other hazard related device or system, and AKM assumes no responsibility relating to any such use, except with the express written consent of the Representative Director of AKM. As used here:
 - a. A hazard related device or system is one designed or intended for life support or maintenance of safety or for applications in medicine, aerospace, nuclear energy, or other fields, in which its failure to function or perform may reasonably be expected to result in loss of life or in significant injury or damage to person or property.
 - b. A critical component is one whose failure to function or perform may reasonably be expected to result, whether directly or indirectly, in the loss of the safety or effectiveness of the device or system containing it, and which must therefore meet very high standards of performance and reliability.
- It is the responsibility of the buyer or distributor of an AKM product who distributes, disposes of, or otherwise places the product with a third party to notify that party in advance of the above content and conditions, and the buyer or distributor agrees to assume any and all responsibility and liability for and hold AKM harmless from any and all claims arising from the use of said product in the absence of such notification.