

**Key Features:**

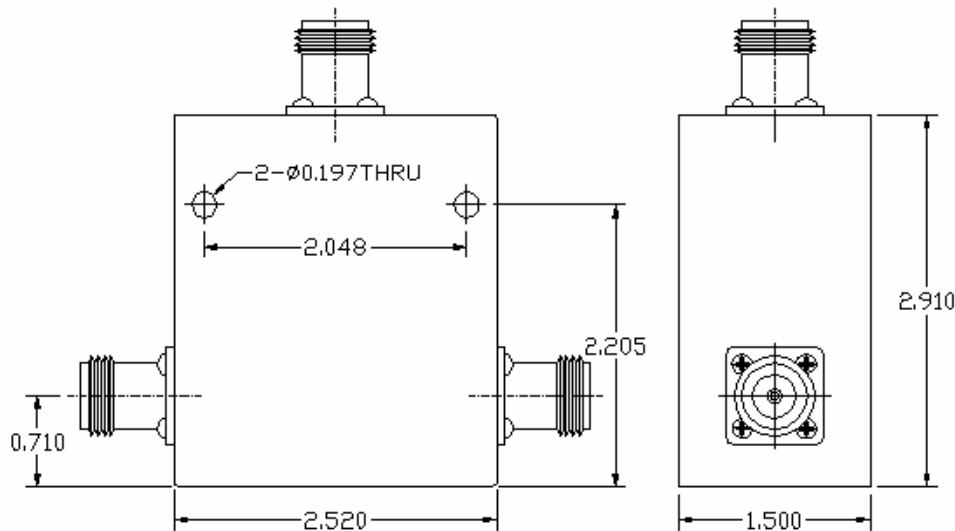
- Frequency range: 400~1200MHz, bandwidth up to 32%
- N-Type female Connectors
- Small size, low cost
- Power handling +200Watts CW, +3000Watt Peak
- Weight 11b13.0oz (822 grams)
- Clockwise circulation direction, customer can specify if otherwise



**Electrical Specifications**

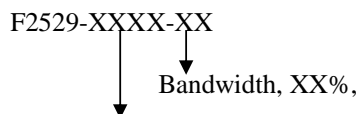
Part No.	Freq Range MHz	Insertion Loss, dB	Reverse Isolation, dB	VSWR	Forward Power, Watts CW/Peak	Temp. Range, °C
F2529-0475-04	465~485	0.5 Max	≥ 20	≤1.2	200/3000	-25 ~ +70
F2529-0750-32	630~870	0.5 Max	≥ 19	≤1.25	200/3000	-25 ~ +70
F2529-1060-11	1000~1120	0.4 Max	≥ 20	≤1.2	200/3000	-40~ +70
F2529-1500-07	1450~1550	0.4 Max	≥ 20	≤1.2	200/3000	-40~ +70

**Mechanical Structure:**



Note: All units are in inches.

**Ordering Information:**



1070 Hamilton Road, Suite A, Duarte, CA 91010  
Phone: (626) 305-6666, Fax: (626) 602-3101, sales@wenteq.com, www.wenteq.com



**COAXIAL RF CIRCULATORS**  
**F2529**

---

Frequency X.XXX GHz,

---

1070 Hamilton Road, Suite A, Duarte, CA 91010

Phone: (626) 305-6666, Fax: (626) 602-3101, [sales@wenteq.com](mailto:sales@wenteq.com), [www.wenteq.com](http://www.wenteq.com)