

PROTECTION PRODUCTS - EMIClamp™

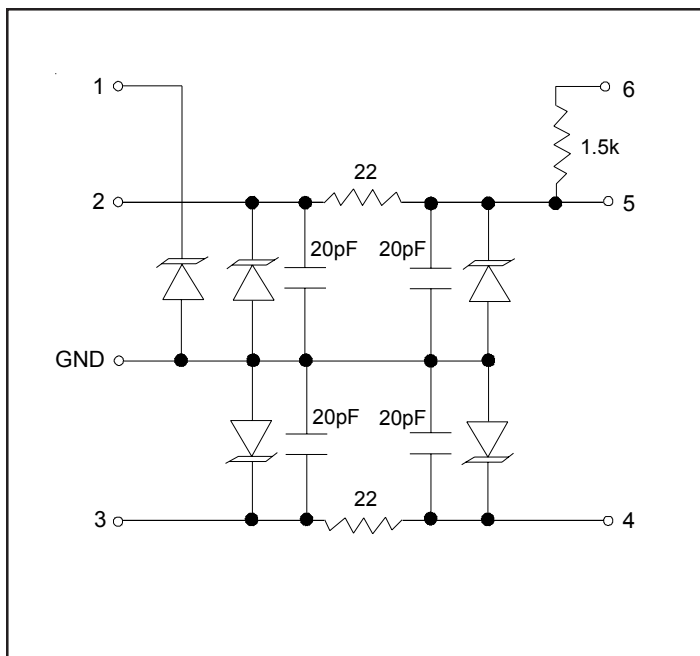
Description

The EClamp™2522P is an easily implemented solution for protection and termination of low speed or full speed Universal Serial Bus (USB) ports. Each device will provide termination, filtering, and ESD protection for one upstream USB port on cellular phones and other portable electronics. This state-of-the-art device utilizes solid-state silicon-avalanche technology for superior clamping performance and electrical characteristics.

Line termination is achieved with 22 Ohm series resistors on both the D+ and D- USB lines. TVS diodes are also included on each data line for ESD protection in excess of $\pm 15\text{kV}$ (air discharge) and $\pm 8\text{kV}$ (contact discharge) per IEC 61000-4-2, level 4. An additional TVS diode connection is included for protection of the voltage (VBus) bus. The 1.5k Ohm pull-up resistor is included on one of the USB data lines to identify the equipment as either a full-speed (connected to D+ line) or low-speed (connected to D- line) device.

The EClamp2522P is in a 6-pin, RoHS compliant, SLP1616P6 package. It measures 1.6 x 1.6 x 0.60mm. The leads are spaced at a pitch of 0.5mm and are finished with lead-free NiPdAu. The small package makes it ideal for use in portable electronics such as cell phones and digital still cameras.

Circuit Diagram



Features

- ◆ Bidirectional EMI/RFI filter with integrated TVS for ESD protection
- ◆ ESD protection to **IEC 61000-4-2 (ESD) Level 4, $\pm 15\text{kV}$ (air), $\pm 8\text{kV}$ (contact)**
- ◆ TVS working voltage: 5.25V
- ◆ Termination Resistor: 22 Ohms
- ◆ Capacitance: 45pF (Max at VR = 0V)
- ◆ Protection and filtering for one USB port
- ◆ Solid-state technology

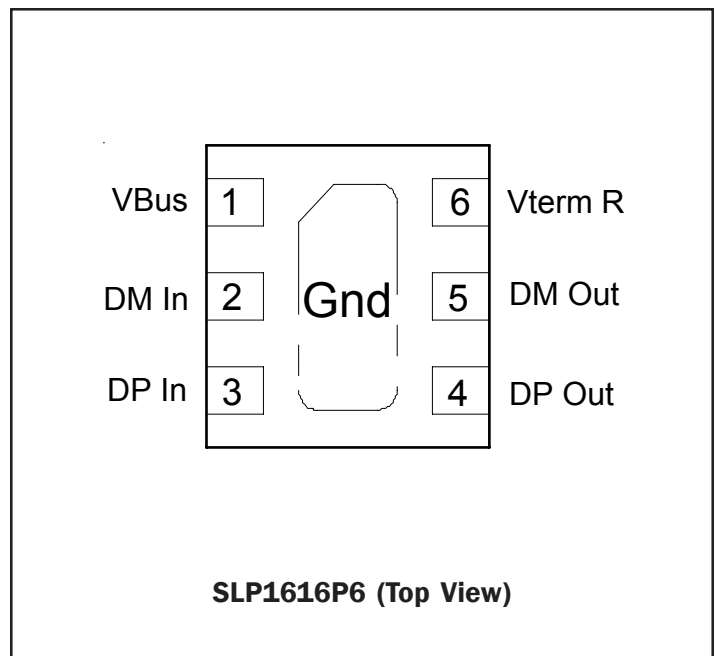
Mechanical Characteristics

- ◆ SLP1616P6 6L package
- ◆ RoHS/WEEE Compliant
- ◆ Nominal Dimensions: 1.6 x 1.6 x 0.60 mm
- ◆ Lead Finish: NiPdAu
- ◆ Molding compound flammability rating: UL 94V-0
- ◆ Marking : Marking code + date code
- ◆ Packaging : Tape and Reel per EIA 481

Applications

- ◆ USB Ports
- ◆ Cellular Handsets
- ◆ PDAs
- ◆ PC Peripherals
- ◆ MP3 Players

Pin Configuration



PROTECTION PRODUCTS

Maximum Ratings

| Rating | Symbol | Value | Units |
|--|-----------|------------------|-------|
| ESD per IEC 61000-4-2 (Air) ESD per IEC 61000-4-2 (Contact) | V_{ESD} | +/- 17 +/- 12 | kV |
| Junction Temperature | T_J | 125 | °C |
| Operating Temperature | T_{op} | -40 to +85 | °C |
| Storage Temperature | T_{STG} | -55 to +150 | °C |

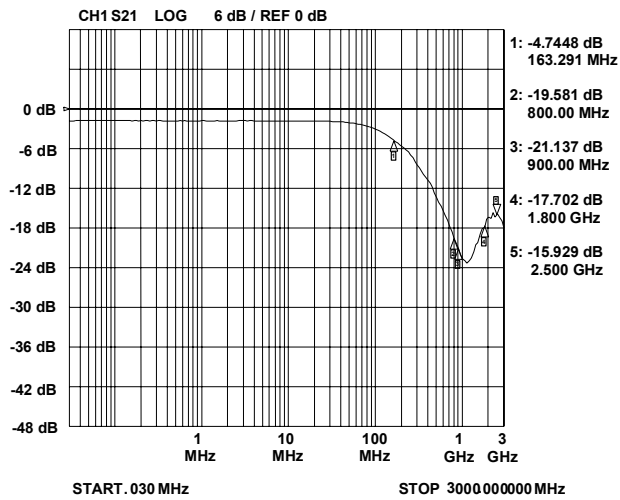
Electrical Characteristics (T=25°C)

| Parameter | Symbol | Conditions | Minimum | Typical | Maximum | Units |
|-------------------------------|-----------|---|---------|---------|---------|-------|
| TVS Reverse Stand-Off Voltage | V_{RWM} | Pin 1 to GND | | | 5.5 | V |
| TVS Reverse Breakdown Voltage | V_{BR} | Pin 1 to GND $I_t = 1mA$ | 6 | 7.5 | 9 | V |
| TVS Reverse Leakage Current | I_R | $V_{RWM} = 5.5V$ Between data (D+, D-) pin and Ground | | | 1 | μA |
| TVS Reverse Leakage Current | I_R | Each Line | | | 1 | μA |
| Series Resistance | R_S | Each Line | 20 | 22 | 24 | Ohms |
| Pull Up Resistance | R_{PU} | | 1.35 | 1.5 | 1.65 | kOhms |
| Total Capacitance | C_{TOT} | Pin 1, 2 or 3 to GND $V_R = 0V, f = 1MHz$ | 30 | 40 | 45 | pF |

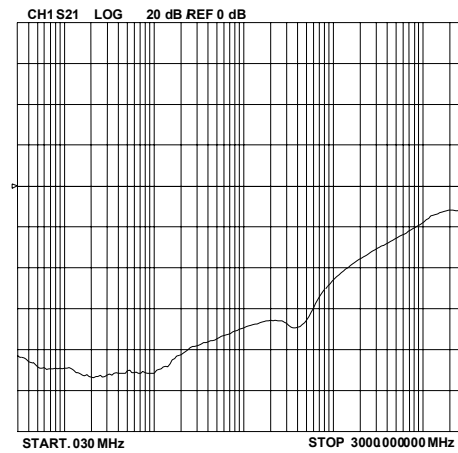
PROTECTION PRODUCTS

Typical Characteristics

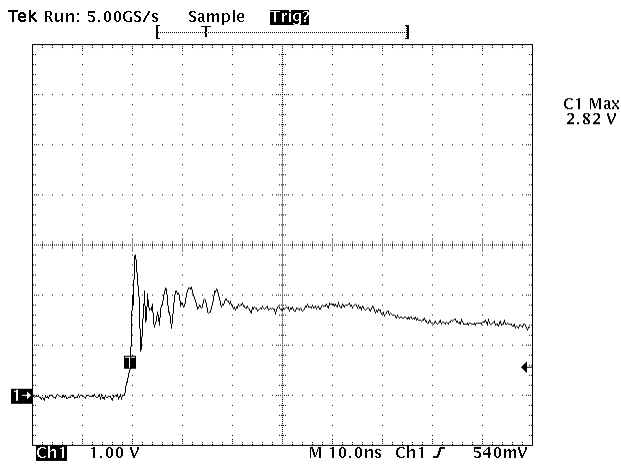
Typical Insertion Loss S21



Analog Crosstalk (Each Line)

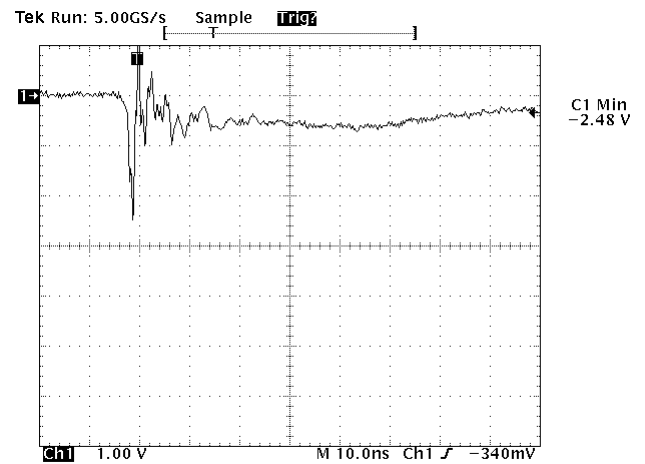


ESD Clamping (+8kV Contact)



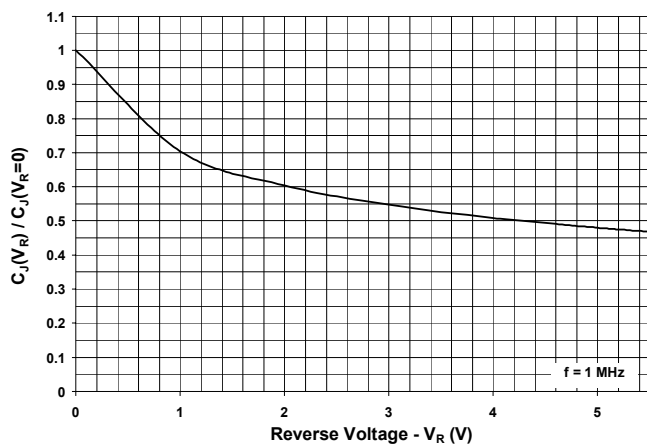
Note: Data is taken with a 10x attenuator

ESD Clamping (-8kV Contact)



Note: Data is taken with a 10x attenuator

Normalized Capacitance vs. Reverse Voltage



PROTECTION PRODUCTS

Device Connection

The EClamp2522P is designed to provide termination, EMI filtering and ESD protection for one USB port. The device is connected as follows:

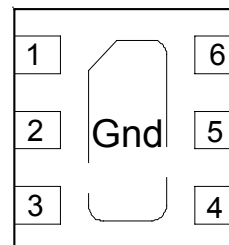
- 1. Full-Speed Devices:** For full-speed devices the pull-up resistor is connected to the D+ line. Route the D+ line from the connector to pin 2. Pin 5 is connected to the D+ line of the IC. Route the D- line from the connector to pin 3. Pin 4 is connected to the D- line of the IC. Pin 1 is connected to the voltage supply line (V_{BUS}). Pin 6 is connected to the 3.3 Volt supply. The ground connection is made to the center tab. For best results, use multiple vias to the ground plane to reduce parasitic inductance.
- 2. Low-Speed Devices:** For low speed devices the pull-up resistor is connected to the D- line. Route the D- line from the connector to pin 2. Pin 5 is connected to the D- line of the IC. Route the D+ line from the connector to pin 3. Pin 4 is connected to the D+ line of the IC. Pin 1 is connected to the voltage supply line (V_{BUS}). Pin 6 is connected to the 3.3 Volt supply. The ground connection is made to the center tab. For best results, use multiple vias to the ground plane to reduce parasitic inductance.

USB Port Design Considerations

The Universal Serial Bus (USB) specification requires termination and filtering components for proper operation. In addition, an open USB socket is vulnerable to hazardous ESD discharges in excess of 15kV. These discharges can occur on the data lines or the voltage bus. The EClamp2522P is an easily implemented solution that is designed to meet the termination and EMI filter requirements of the USB specification for low speed and full speed devices. It also provides ESD protection to IEC 61000-4-2, level 4.

USB line termination is achieved with series resistors on both the D+ and D- lines. These resistors preserve signal integrity by matching the cable impedance to that of the differential driver. A 1.5k Ω pull-up resistor is used to identify an upstream port on either the D+ (full speed devices) or the D- (low speed devices) data line. TVS diodes provide ESD protection of both (D+ and D-) data lines and the voltage bus (V_{BUS}). This integrated solution simplifies design and requires minimal board space.

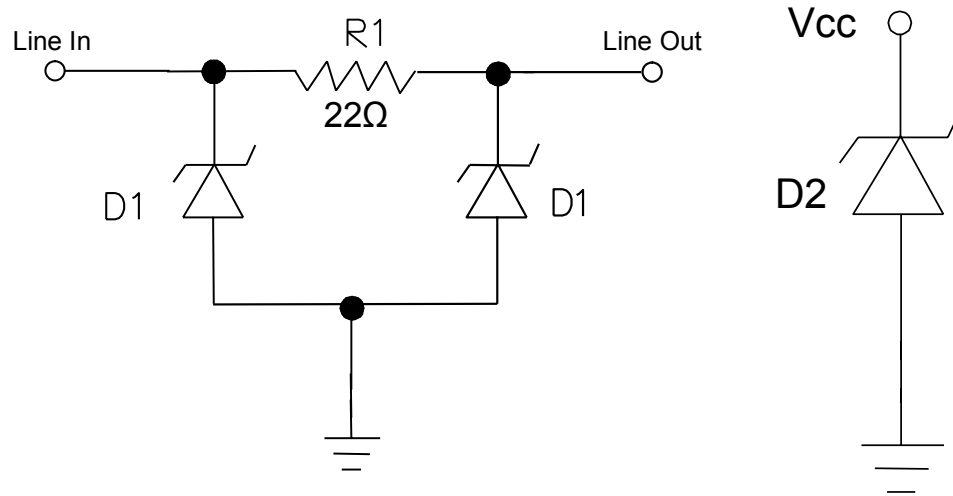
Figure 1 - Pin Identification and Configuration (Top Side View)



| Pin | Symbol | Identification |
|------------|------------|---|
| 1 | VBus | 5.25V VBus ESD Protection |
| 2 | DM In | USB data input with termination resistor |
| 3 | DP In | USB data input with termination resistor |
| 4 | DP Out | USB data output with termination resistor |
| 5 | DM Out | USB data output with termination resistor |
| 6 | V_{Term} | 1.5k Ohm pull-up resistor |
| Center Tab | GND | Ground connection |

PROTECTION PRODUCTS

Applications Information - Spice Model

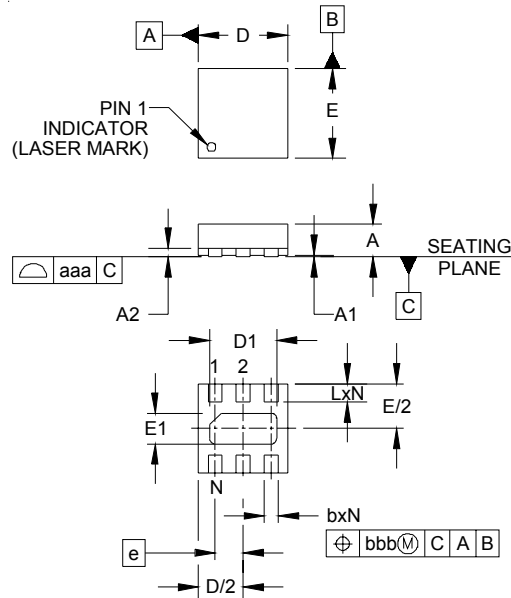


EClamp2522P Spice Model

| EClamp2522P Spice Parameters | | | |
|------------------------------|-------|----------|----------|
| Parameter | Unit | D1 | D2 |
| IS | Amp | 3.4E-15 | 3.4E-15 |
| BV | Volt | 7.546 | 7.594 |
| VJ | Volt | 0.753 | 0.753 |
| RS | Ohm | 0.649 | 0.441 |
| IBV | Amp | 1E-3 | 1E-3 |
| CJO | Farad | 17E-12 | 31E-12 |
| TT | sec | 2.541E-9 | 2.541E-9 |
| M | -- | 0.24 | 0.26 |
| N | -- | 1.1 | 1.1 |
| EG | eV | 1.11 | 1.11 |

PROTECTION PRODUCTS

Outline Drawing - SLP1616P6

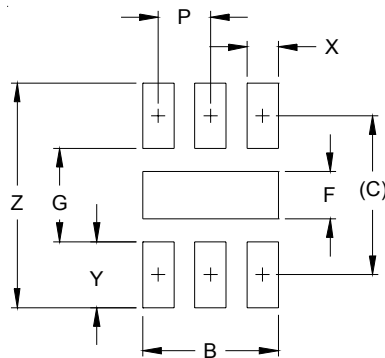


| DIM | DIMENSIONS | | | | | |
|-----|------------|------|------|-------------|------|------|
| | INCHES | | | MILLIMETERS | | |
| | MIN | NOM | MAX | MIN | NOM | MAX |
| A | .020 | .023 | .026 | 0.50 | 0.58 | 0.65 |
| A1 | 0.00 | .001 | .002 | 0.00 | 0.03 | 0.05 |
| A2 | (.006) | | | (.15) | | |
| b | .007 | .010 | .012 | 0.20 | 0.25 | 0.30 |
| D | .059 | .063 | .067 | 1.50 | 1.60 | 1.70 |
| D1 | .041 | .047 | .051 | 1.05 | 1.20 | 1.30 |
| E | .059 | .063 | .067 | 1.50 | 1.60 | 1.70 |
| E1 | .016 | .022 | .026 | 0.40 | 0.55 | 0.65 |
| e | .020 BSC | | | 0.50 BSC | | |
| L | .013 | .013 | .016 | 0.25 | 0.33 | 0.40 |
| N | 6 | | | 6 | | |
| aaa | .004 | | | 0.09 | | |
| bbb | .004 | | | 0.09 | | |

NOTES:

1. CONTROLLING DIMENSIONS ARE IN MILLIMETERS (ANGLES IN DEGREES).
2. COPLANARITY APPLIES TO THE EXPOSED PAD AS WELL AS THE TERMINALS.

Land Pattern - SLP1616P6



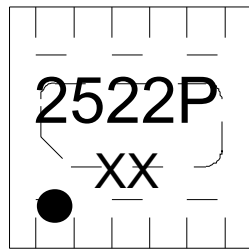
| DIM | DIMENSIONS | |
|-----|------------|-------------|
| | INCHES | MILLIMETERS |
| B | .051 | 1.30 |
| C | .060 | 1.52 |
| P | .020 | 0.50 |
| F | .018 | 0.45 |
| G | .035 | 0.89 |
| X | .012 | 0.30 |
| Y | .025 | 0.63 |
| Z | .085 | 2.15 |

NOTES:

1. THIS LAND PATTERN IS FOR REFERENCE PURPOSES ONLY. CONSULT YOUR MANUFACTURING GROUP TO ENSURE YOUR COMPANY'S MANUFACTURING GUIDELINES ARE MET.

PROTECTION PRODUCTS

Marking



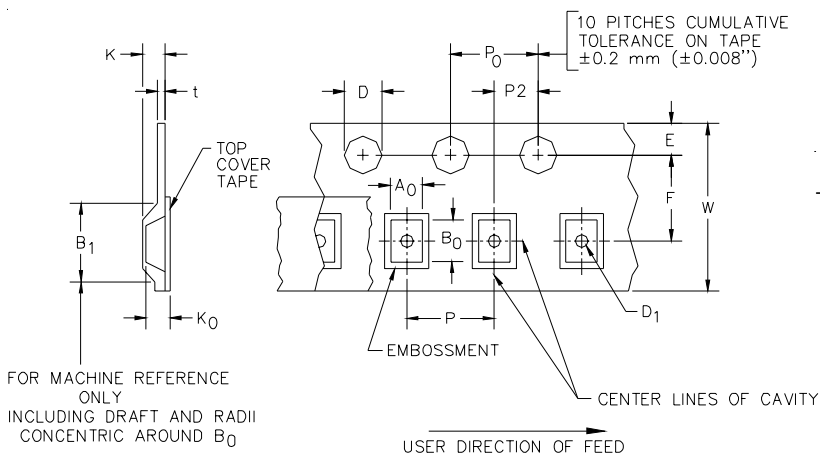
XX = Date Code

Ordering Information

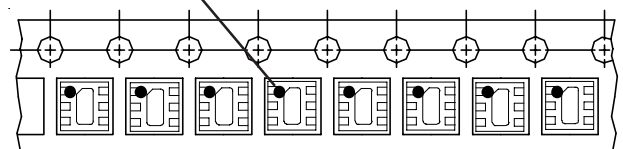
| Part Number | Qty per Reel | Reel Size |
|-----------------|--------------|-----------|
| EClamp2522P.TCT | 3000 | 7 Inch |

This is a lead-free RoHS/WEEE Compliant Device
EMIClamp and EClamp are marks of Semtech Corporation

Tape and Reel Specification



Pin 1 Location



Device Orientation in Tape
Pin 1 in upper left towards sprocket holes

| A0 | B0 | K0 |
|-----------------|-----------------|-----------------|
| 1.78 +/-0.05 mm | 1.78 +/-0.05 mm | 0.69 +/-0.05 mm |

| Tape Width | B, (Max) | D | D1 | E | F | K (MAX) | P | P0 | P2 | T(MAX) | W |
|------------|----------|-------------------------|--------------|--------------|-------------|---------|------------|------------|-------------|--------|--------------------------|
| 8 mm | 4.2 mm | 1.5 + 0.1 mm - 0.0 mm) | 0.5 mm ±0.05 | 1.750±.10 mm | 3.5±0.05 mm | 2.4 mm | 4.0±0.1 mm | 4.0±0.1 mm | 2.0±0.05 mm | 0.4 mm | 8.0 mm + 0.3 mm - 0.1 mm |

Contact Information

Semtech Corporation
Protection Products Division
200 Flynn Rd., Camarillo, CA 93012
Phone: (805)498-2111 FAX (805)498-3804