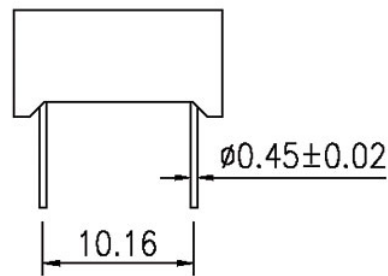
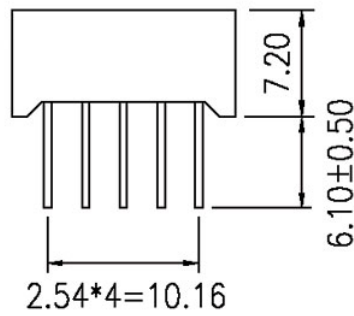
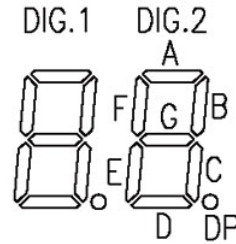
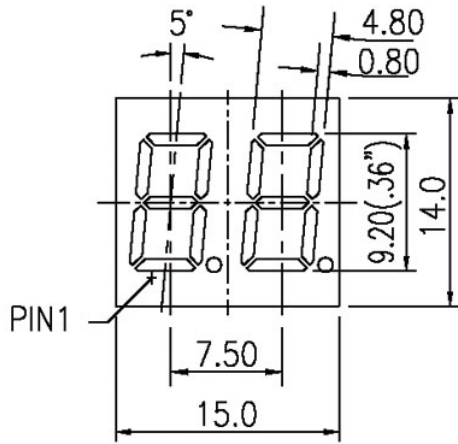




PACKAGE DIMENSIONS



NORMAL TOLERANCE: ± 0.25 ANGLE: $\pm 1^\circ$

INTERNAL CIRCUIT DIAGRAM

