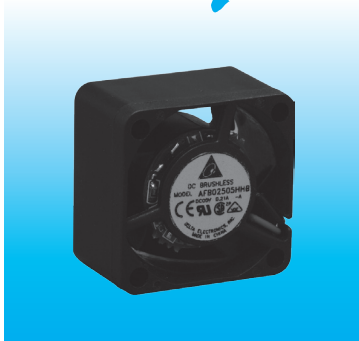
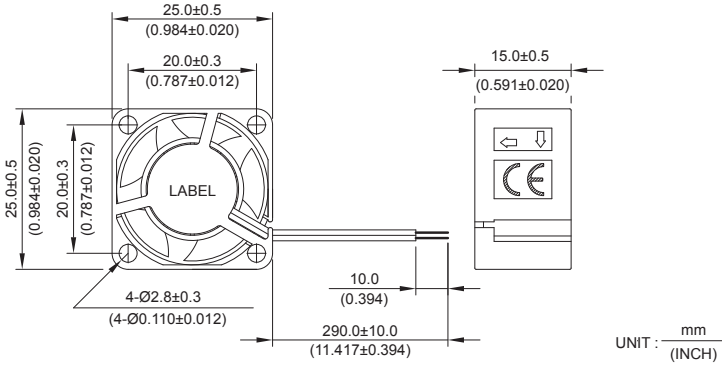


New



AFB 25 x 25 x 15 MM SERIES

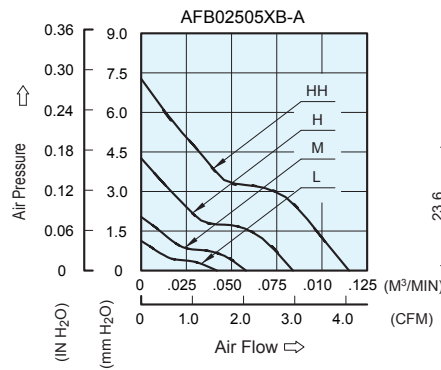
■ DIMENSIONS DRAWING



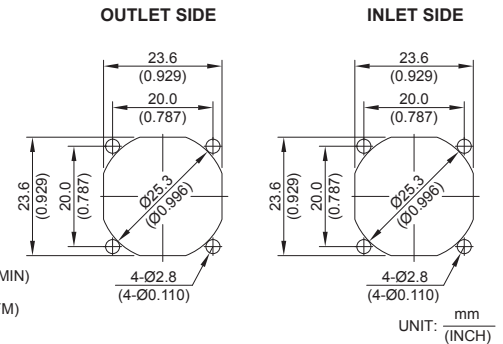
UNIT : $\frac{\text{mm}}{\text{(INCH)}}$

- * Bearing Type
Ball Bearings
- * Material
Impeller & Frame : Plastic(UL 94V-0)
- * Lead Wires:
UL 1571 AWG #28 OR Equivalent
Red Wire Positive(+)
Black Wire Negative(-)
- * Weight : 10g(0.35 OZ)

■ P & Q CURVE (AT RATED VOLTAGE)



■ MOUNTING PANEL CUTOUT



UNIT : $\frac{\text{mm}}{\text{(INCH)}}$

MODEL			Rated Voltage	Operating Voltage Range	Input Current	Input Power	Speed	Maximum Air Flow		Maximum Air Pressure		Noise
PART NO.	REV.	FUNCTION	VDC	VDC	Amp	Watt	R.P.M.	m ³ /min	CFM	mmH ₂ O	IN H ₂ O	dB-A
AFB02505LB	-A	-R00 / -F00	5	4.0 to 6.0	0.03	0.15	5000	0.042	1.48	1.13	0.044	18.0
AFB02505MB	-A	-R00 / -F00	5	4.0 to 6.0	0.06	0.30	7000	0.058	2.05	2.04	0.080	20.0
AFB02505HB	-A	-R00 / -F00	5	4.0 to 6.0	0.08	0.40	10000	0.084	2.97	4.26	0.168	24.0
AFB02505HBB	-A	-R00 / -F00	5	4.0 to 6.0	0.14	0.70	13000	0.115	4.06	7.28	0.287	29.5

* Function type is optional.
 * The max. air flow and the speed are measured in free air ; max. air pressure is measured at zero air flow.
 * Noise is measured in anechoic chamber in free air, one meter from intake side.
 * All readings are typical values at rated voltage.
 * Specifications are subject to change without notice.