

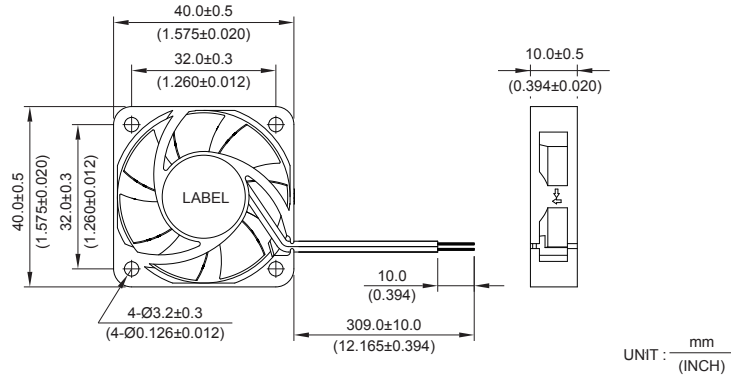
*New*



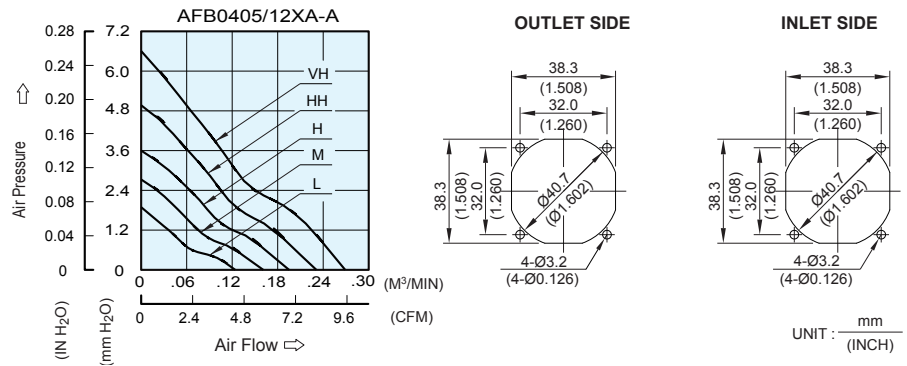
- \* Bearing Type  
Ball Bearings
- \* Material  
Impeller & Frame : Plastic(UL 94V-0)
- \* Lead Wires :  
UL 1007 AWG #28 OR Equivalent  
Red Wire Positive(+)  
Black Wire Negative(-)
- \* Weight : 14.0g (0.49 OZ)
- \* Rib Type Only

## AFB 40 x 40 x 10 MM SERIES

### ■ DIMENSIONS DRAWING



### ■ P & Q CURVE (AT RATED VOLTAGE) ■ MOUNTING PANEL CUTOUT



MODEL			Rated Voltage	Operating Voltage Range	Input Current	Input Power	Speed	Maximum Air Flow		Maximum Air Pressure		Noise
PART NO.	REV.	FUNCTION	VDC	VDC	Amp	Watt	R.P.M.	m <sup>3</sup> /min	CFM	mmH <sub>2</sub> O	IN H <sub>2</sub> O	dB-A
AFB0405LA	-A	-R00 / -F00	5	4.5 to 5.5	0.03	0.15	4000	0.124	4.39	1.73	0.068	16.0
AFB0412LA	-A	-R00 / -F00	12	9.0 to 13.8	0.02	0.24						
AFB0405MA	-A	-R00 / -F00	5	4.5 to 5.5	0.05	0.25	5000	0.161	5.67	2.65	0.104	21.5
AFB0412MA	-A	-R00 / -F00	12	7.0 to 13.8	0.03	0.36						
AFB0405HA	-A	-R00 / -F00	5	4.5 to 5.5	0.07	0.35	6000	0.195	6.90	3.60	0.140	27.0
AFB0412HA	-A	-R00 / -F00	12	7.0 to 13.8	0.04	0.48						
AFB0405HHA	-A	-R00 / -F00	5	4.5 to 5.5	0.09	0.45	7000	0.231	8.15	4.83	0.190	31.5
AFB0412HHA	-A	-R00 / -F00	12	7.0 to 13.8	0.05	0.60						
AFB0405VHA	-A	-R00 / -F00	5	4.5 to 5.5	0.11	0.55	8000	0.269	9.50	6.42	0.253	35.5
AFB0412VHA	-A	-R00 / -F00	12	7.0 to 13.8	0.06	0.72						

\* Function type is optional.  
 \* The max. air flow and the speed are measured in free air ; max. air pressure is measured at zero air flow.  
 \* Noise is measured in anechoic chamber in free air, one meter from intake side.  
 \* All readings are typical values at rated voltage.  
 \* Specifications are subject to change without notice.