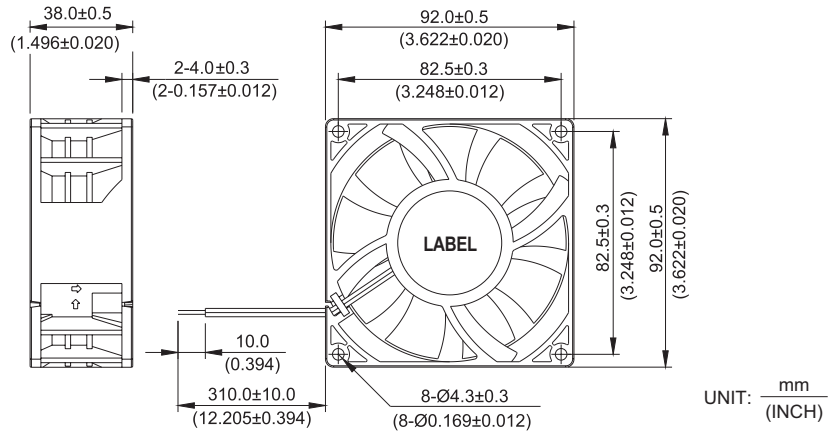


# AFB 92 x 92 x 38 MM SERIES

## DIMENSIONS DRAWING

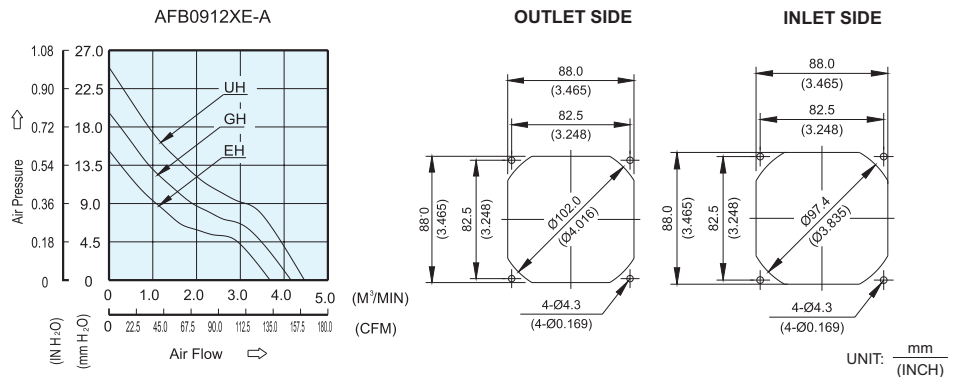


UNIT:  $\frac{\text{mm}}{\text{(INCH)}}$

- \* Bearing Type: Ball Bearings
- \* Material: Impeller & Frame : Plastic (UL94V-0)
- \* Lead Wires : UL 1007 AWG #24 OR Equivalent
- \* Red Wire Positive (+)
- \* Black Wire Negative (-)
- \* Weight : 245g (8.64 oz)

## P & Q CURVE (AT RATED VOLTAGE)

## MOUNTING PANEL CUTOUT



UNIT:  $\frac{\text{mm}}{\text{(INCH)}}$

MODEL			Rated Voltage	Operating Voltage Range	Input Current	Input Power	Speed	Maximum Air Flow		Maximum Air Pressure		Noise
PART NO.	REV.	FUNCTION	VDC	VDC	Amp	Watt	R.P.M.	m <sup>3</sup> /min	CFM	mmH <sub>2</sub> O	IN H <sub>2</sub> O	dB-A
AFB0912EHE	-A	-R00 / -F00	12	7.0 to 13.8	1.40	16.80	4800	3.605	127.31	16.13	0.635	56.0
AFB0912GHE	-A	-R00 / -F00	12	7.0 to 13.8	1.85	22.20	5400	4.074	143.87	20.37	0.802	60.0
AFB0912UHE	-A	-R00 / -F00	12	7.0 to 13.2	2.50	30.00	6000	4.537	160.22	25.45	1.002	63.0

\* Function type is optional.  
 \* The max. air flow and the speed are measured in free air ; max. air pressure is measured at zero air flow.  
 \* Noise is measured in anechoic chamber in free air, one meter from intake side.  
 \* All readings are typical values at rated voltage.  
 \* Specifications are subject to change without notice.