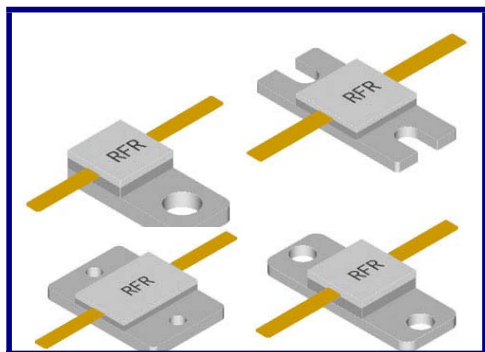


Attenuators

Flange

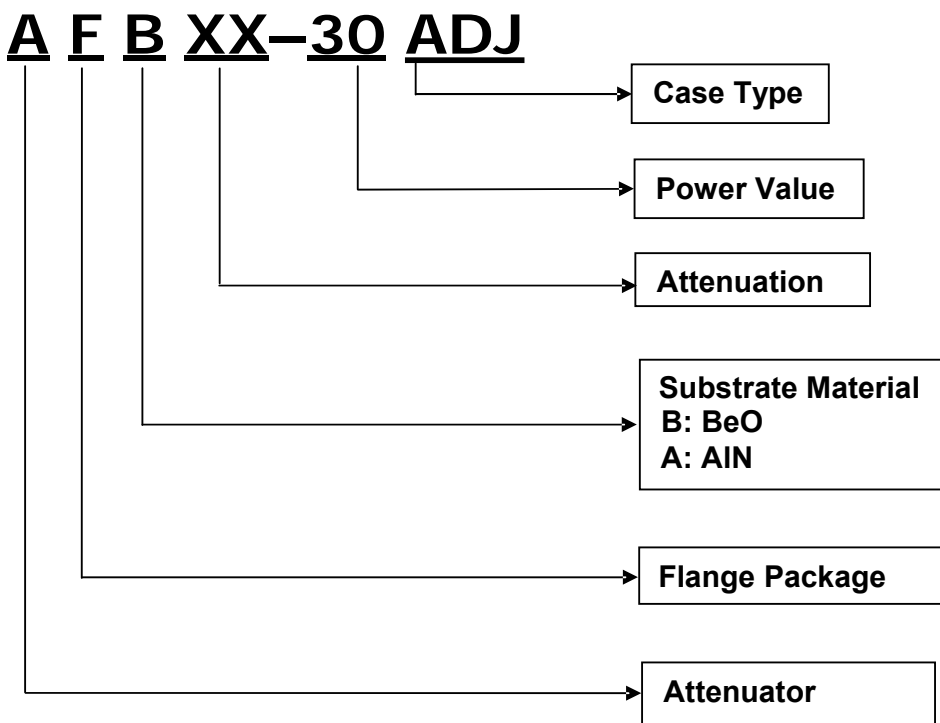


- ◆ Resistance: 50Ω
- ◆ Power: 30-100W
- ◆ Substrate Material: BeO, AlN
- ◆ Attenuation*: 1-30dB
- ◆ Attenuation Accuracy:

1-10dB	±0.6dB
11-20dB	±0.8dB
21-30dB	±1.0dB
- ◆ Frequency Range*: DC-4GHz
- ◆ Operation Temperature: -55 ~ +150°C
- ◆ RoHS Compliant
- ◆ *Custom Designs Available

Attenuator – Flange (AFB series)

Explanation to P/N





Attenuator – Flange (AFB Series)

The content of this specification may change without notification 10/01/09



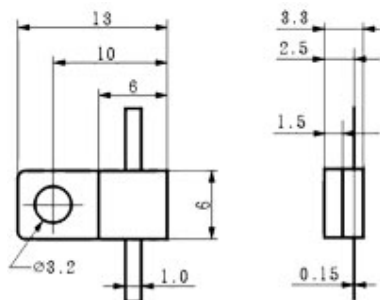
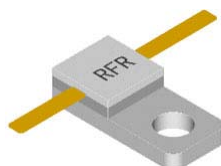
Attenuators

Flange

P/N	Power (W)	Frequency (GHz)	Substrate	Attenuation (dB)	Resistance (Ω)	VSWR max	Page
AFBXX-30ADJ	30	DC-3	BeO	1-30	50	1.20:1	66
AFBXX-30ABR	30	DC-3	BeO	1-30	50	1.20:1	66
AFBXX-30ABP	30	DC-3	BeO	1-30	50	1.20:1	66
AFBXX-50ABO	50	DC-3	BeO	1-30	50	1.20:1	67
AFBXX-50ABR	50	DC-3	BeO	1-30	50	1.20:1	67
AFBXX-60ADM	60	DC-3	BeO	1-30	50	1.20:1	67
AFBXX-60AHE	60	DC-3	BeO	1-30	50	1.20:1	68
AFBXX-100ABAD	100	DC-3	BeO	1-30	50	1.20:1	68

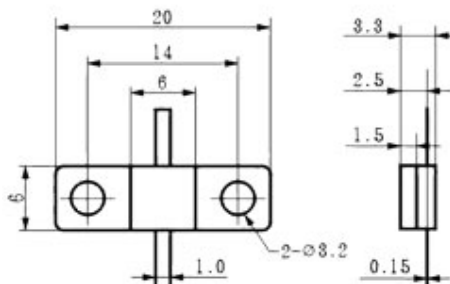
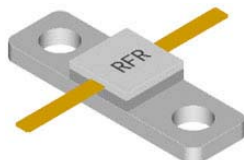
Attenuators

Flange



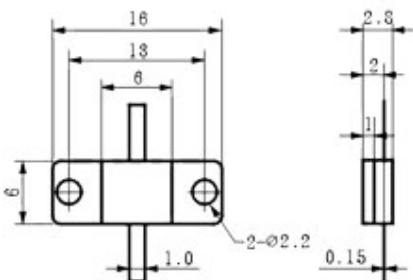
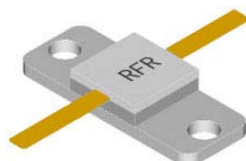
P/N	AFBXX-30ADJ	
Power(W)	30	
Substrate	BeO	
Attenuation(dB) *	1-30	
Accuracy(dB)	1-10dB	±0.6
	11-20dB	±0.8
	21-30dB	±1.0
Frequency(GHz)*	DC-3	
Resistance(Ω)	50	
VSWR	1.20:1 max	
Operation Temperature($^{\circ}$ C)	-55~+150	
Lead Length(mm)*	6	

* Customization is available.



P/N	AFBXX-30ABR	
Power(W)	30	
Substrate	BeO	
Attenuation(dB) *	1-30	
Accuracy(dB)	1-10dB	±0.6
	11-20dB	±0.8
	21-30dB	±1.0
Frequency(GHz)*	DC-3	
Resistance(Ω)	50	
VSWR	1.20:1 max	
Operation Temperature($^{\circ}$ C)	-55~+150	
Lead Length(mm)*	6	

* Customization is available.

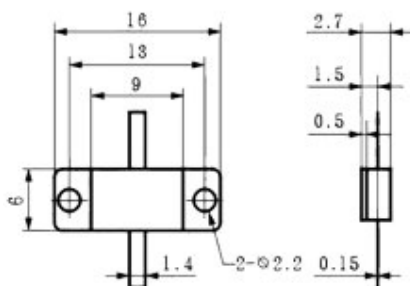
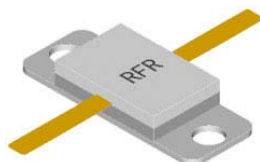


P/N	AFBXX-30ABP	
Power(W)	30	
Substrate	BeO	
Attenuation(dB) *	1-30	
Accuracy(dB)	1-10dB	±0.6
	11-20dB	±0.8
	21-30dB	±1.0
Frequency(GHz)*	DC-3	
Resistance(Ω)	50	
VSWR	1.20:1 max	
Operation Temperature($^{\circ}$ C)	-55~+150	
Lead Length(mm)*	6	

* Customization is available.

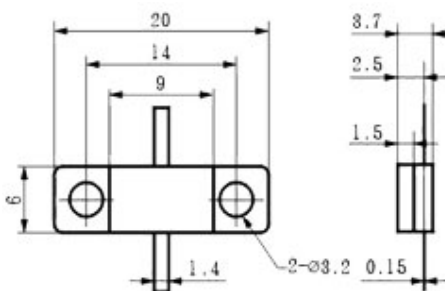
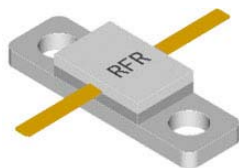
Attenuators

Flange



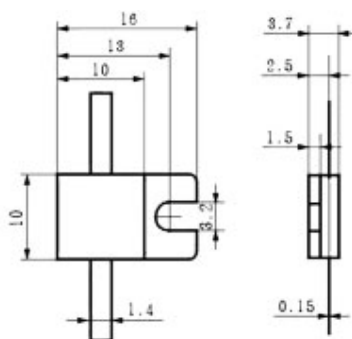
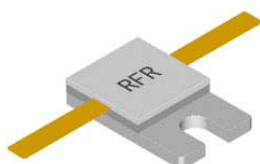
P/N		AFBXX-50ABO
Power(W)		50
Substrate		BeO
Attenuation(dB) *		1-30
Accuracy(dB)	1-10dB	±0.6
	11-20dB	±0.8
	21-30dB	±1.0
Frequency(GHz)*		DC-3
Resistance(Ω)		50
VSWR		1.20:1 max
Operation Temperature(°C)		-55~+150
Lead Length(mm)*		6

* Customization is available.



P/N		AFBXX-50ABR
Power(W)		50
Substrate		BeO
Attenuation(dB) *		1-30
Accuracy(dB)	1-10dB	±0.6
	11-20dB	±0.8
	21-30dB	±1.0
Frequency(GHz)*		DC-3
Resistance(Ω)		50
VSWR		1.20:1 max
Operation Temperature(°C)		-55~+150
Lead Length(mm)*		6

* Customization is available.

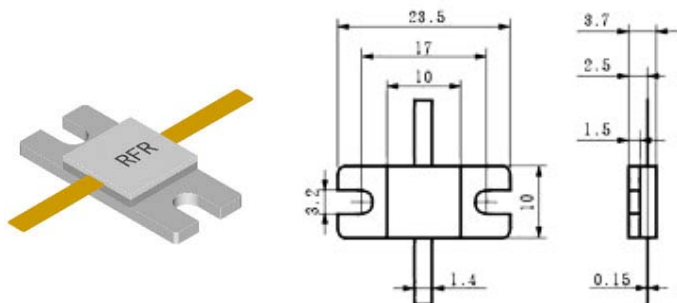


P/N		AFBXX-60ADM
Power(W)		60
Substrate		BeO
Attenuation(dB) *		1-30
Accuracy(dB)	1-10dB	±0.6
	11-20dB	±0.8
	21-30dB	±1.0
Frequency(GHz)*		DC-3
Resistance(Ω)		50
VSWR		1.20:1 max
Operation Temperature(°C)		-55~+150
Lead Length(mm)*		6

* Customization is available.

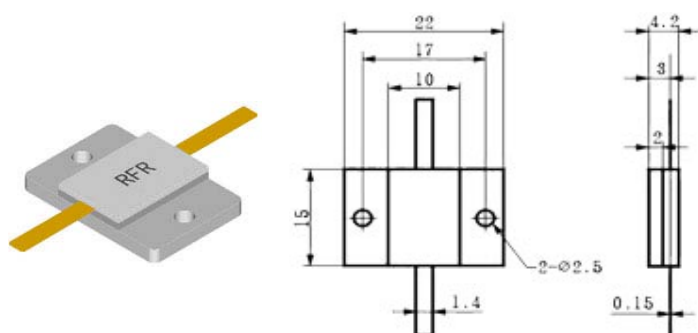
Attenuators

Flange



P/N	AFBXX-60AHE	
Power (W)	60	
Substrate	BeO	
Attenuation(dB) *	1-30	
Accuracy(dB)	1-10dB	±0.6
	11-20dB	±0.8
	21-30dB	±1.0
Frequency(GHz)*	DC-3	
Resistance(Ω)	50	
VSWR	1.20:1 max	
Operation Temperature($^{\circ}$ C)	-55~+150	
Lead Length(mm)*	6	

* Customization is available.



P/N	AFBXX-100ABAD	
Power(W)	100	
Substrate	BeO	
Attenuation(dB) *	1-30	
Accuracy(dB)	1-10dB	±0.6
	11-20dB	±0.8
	21-30dB	±1.0
Frequency(GHz)*	DC-3	
Resistance(Ω)	50	
VSWR	1.20:1 max	
Operation Temperature($^{\circ}$ C)	-55~+150	
Lead Length(mm)*	6	

* Customization is available.