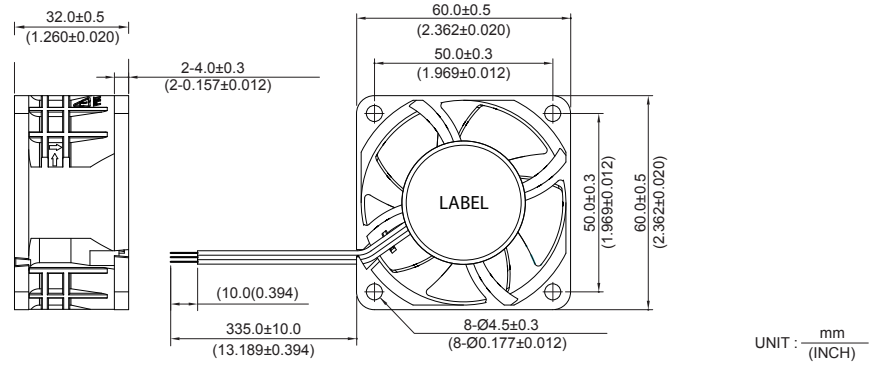


New



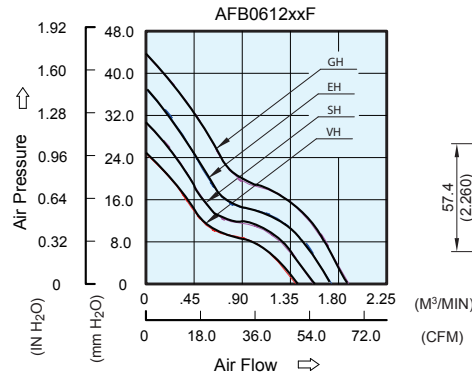
AFB 60 x 60 x 32 MM SERIES

■ DIMENSIONS DRAWING

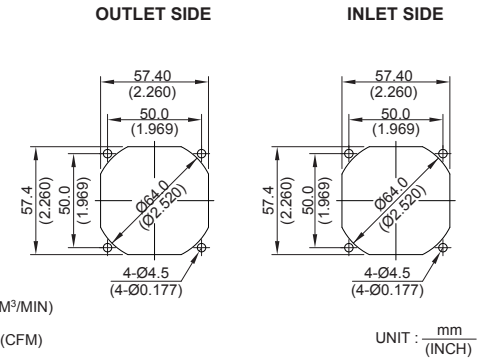


- * Bearing Type
Ball Bearings
- * Material
Impeller & Frame : Plastic(UL 94V-0)
- * Lead Wires :
UL 1007 AWG #24 OR Equivalent
Red Wire Positive(+)
Black Wire Negative(-)
- * Weight : 100g (3.52 OZ)

■ P & Q CURVE (AT RATED VOLTAGE)



■ MOUNTING PANEL CUTOUT



MODEL		Rated Voltage	Operating Voltage Range	Rated Current	Rated Input Power	Speed	Maximum Air Flow		Maximum Air Pressure		Noise
PART NO.	FUNCTION	VDC	VDC	Amp	Watt	R.P.M.	m ³ /min	CFM	mmH ₂ O	IN H ₂ O	dB-A
AFB0612VHF	R00 / -F00	12	7.0 to 13.8	0.64	7.68	9000	1.378	48.65	24.27	0.956	53.0
AFB0612SHF	R00 / -F00	12	7.0 to 13.8	0.83	9.96	10000	1.543	54.48	30.07	1.184	56.0
AFB0612EHF	R00 / -F00	12	7.0 to 13.8	1.05	12.60	11000	1.716	60.60	36.48	1.436	58.5
AFB0612GHF	R00 / -F00	12	7.0 to 13.2	1.35	16.20	12000	1.877	66.30	43.07	1.696	60.5

* Function type is optional.
 * The max. air flow and the speed are measured in free air ; max. air pressure is measured at zero air flow.
 * Noise is measured in anechoic chamber in free air, one meter from intake side.
 * All readings are typical values at rated voltage.
 * Specifications are subject to change without notice.