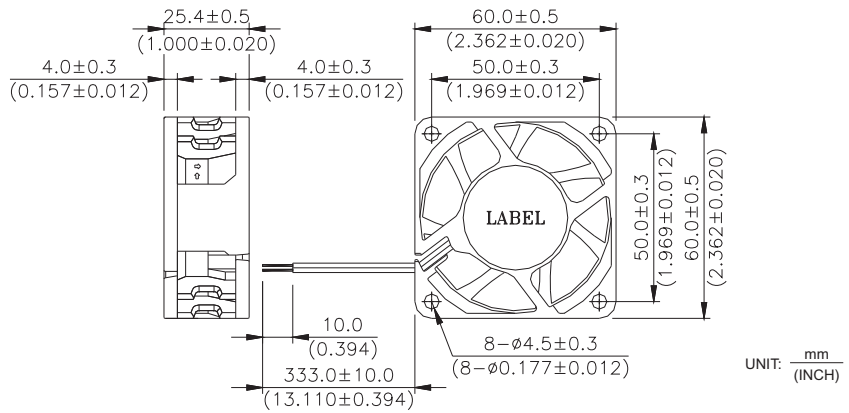


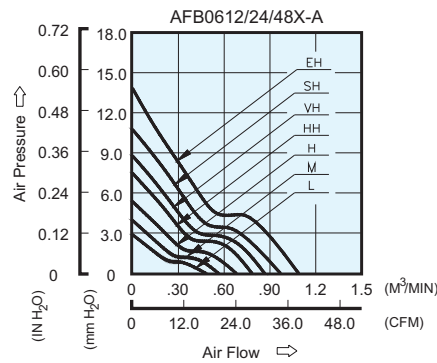
# AFB 60 x 60 x 25.4 MM SERIES

## DIMENSIONS DRAWING

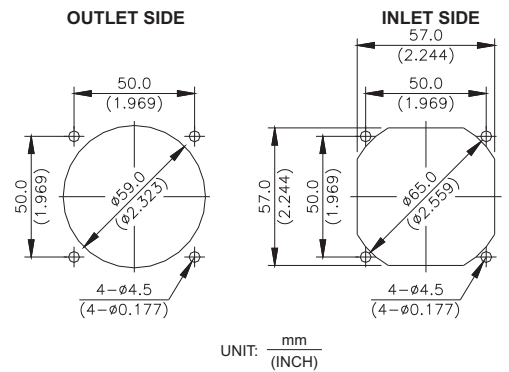


- \* Bearing Type: Ball Bearings
- \* Material: Impeller & Frame : Plastic (UL 94V-0)
- \* Lead Wires : UL 1007 AWG #24 OR Equivalent  
Red Wire Positive (+)  
Black Wire Negative (-)
- \* Weight : 80g (2.82 oz)

## P & Q CURVE (AT RATED VOLTAGE)



## MOUNTING PANEL CUTOUT

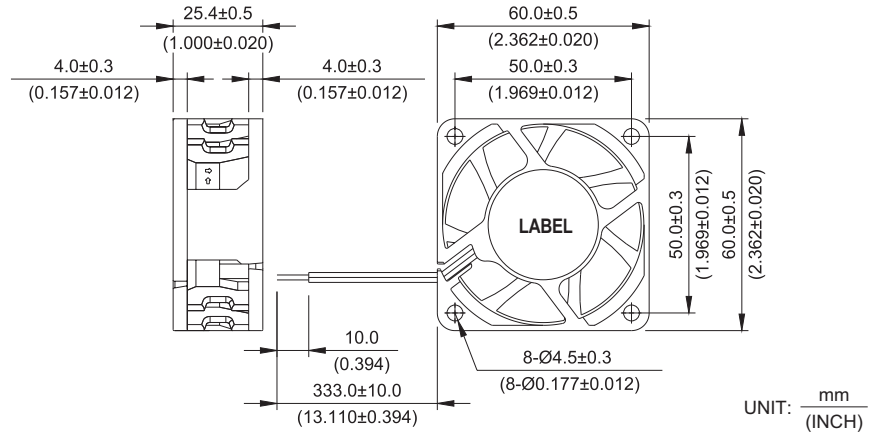


| MODEL     |      |          | Rated Voltage | Operating Voltage Range | Input Current | Input Power | Speed  | Maximum Air Flow    |       | Maximum Air Pressure |                     | Noise |
|-----------|------|----------|---------------|-------------------------|---------------|-------------|--------|---------------------|-------|----------------------|---------------------|-------|
| PART NO.  | REV. | FUNCTION | VDC           | VDC                     | Amp           | Watt        | R.P.M. | m <sup>3</sup> /min | CFM   | mmH <sub>2</sub> O   | IN H <sub>2</sub> O | dB-A  |
| AFB0612L  | -A   | R00/F00  | 12            | 4.0 to 13.8             | 0.08          | 0.96        | 3100   | 0.476               | 16.81 | 2.86                 | 0.113               | 26.5  |
| AFB0624L  | -A   | R00/F00  | 24            | 14.0 to 27.6            | 0.06          | 1.44        |        |                     |       |                      |                     |       |
| AFB0612M  | -A   | R00/F00  | 12            | 4.0 to 13.8             | 0.13          | 1.56        | 3600   | 0.560               | 19.78 | 3.93                 | 0.155               | 31.0  |
| AFB0624M  | -A   | R00/F00  | 24            | 14.0 to 27.6            | 0.07          | 1.68        |        |                     |       |                      |                     |       |
| AFB0612H  | -A   | R00/F00  | 12            | 4.0 to 13.8             | 0.14          | 1.68        | 4250   | 0.662               | 23.38 | 5.35                 | 0.211               | 34.0  |
| AFB0624H  | -A   | R00/F00  | 24            | 14.0 to 27.6            | 0.09          | 2.16        |        |                     |       |                      |                     |       |
| AFB0612HH | -A   | R00/F00  | 12            | 4.0 to 13.8             | 0.17          | 2.04        | 5000   | 0.780               | 27.55 | 7.47                 | 0.294               | 40.0  |
| AFB0624HH | -A   | R00/F00  | 24            | 14.0 to 27.6            | 0.11          | 2.64        |        |                     |       |                      |                     |       |
| AFB0648HH | -A   | R00/F00  | 48            | 20.0 to 56.0            | 0.08          | 3.84        |        |                     |       |                      |                     |       |
| AFB0612VH | -A   | R00/F00  | 12            | 4.0 to 13.8             | 0.23          | 2.76        | 5500   | 0.863               | 30.48 | 8.76                 | 0.345               | 42.5  |
| AFB0624VH | -A   | R00/F00  | 24            | 14.0 to 27.6            | 0.14          | 3.36        |        |                     |       |                      |                     |       |
| AFB0648VH | -A   | R00/F00  | 48            | 20.0 to 56.0            | 0.09          | 4.32        | 6000   | 0.967               | 34.15 | 10.73                | 0.422               | 44.5  |
| AFB0612SH | -A   | R00/F00  | 12            | 4.0 to 13.8             | 0.27          | 3.24        |        |                     |       |                      |                     |       |
| AFB0624SH | -A   | R00/F00  | 24            | 14.0 to 27.6            | 0.17          | 4.08        |        |                     |       |                      |                     |       |
| AFB0648SH | -A   | R00/F00  | 48            | 20.0 to 56.0            | 0.11          | 5.28        | 6800   | 1.086               | 38.35 | 13.81                | 0.544               | 46.5  |
| AFB0612EH | -A   | R00/F00  | 12            | 4.0 to 13.8             | 0.38          | 4.56        |        |                     |       |                      |                     |       |
| AFB0624EH | -A   | R00/F00  | 24            | 14.0 to 27.6            | 0.24          | 5.76        |        |                     |       |                      |                     |       |
| AFB0648EH | -A   | R00/F00  | 48            | 20.0 to 56.0            | 0.14          | 6.72        |        |                     |       |                      |                     |       |

\* Function type is optional.  
 \* The max. air flow and the speed are measured in free air ; max. air pressure is measured at zero air flow.  
 \* Noise is measured in anechoic chamber in free air, one meter from intake side.  
 \* All readings are typical values at rated voltage.  
 \* Specifications are subject to change without notice.

# AFB 60 x 60 x 25.4 MM SERIES

## DIMENSIONS DRAWING

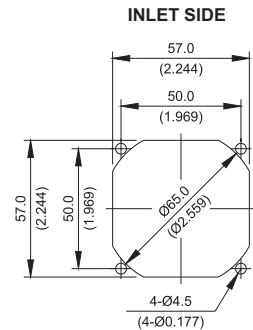
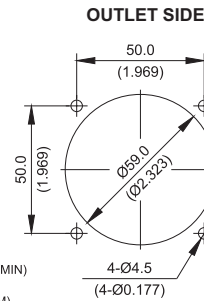
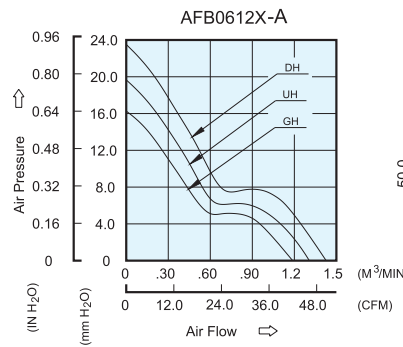


UNIT:  $\frac{\text{mm}}{(\text{INCH})}$

- \* Bearing Type  
Ball Bearings
- \* Material  
Impeller & Frame: Plastic (UL94V-0)
- \* Lead Wires :  
UL 1061AWG #24 OR Equivalent  
Red Wire Positive (+)  
Black Wire Negative (-)
- \* Weight : 77g (2.72 oz)

## P & Q CURVE (AT RATED VOLTAGE)

## MOUNTING PANEL CUTOUT



UNIT:  $\frac{\text{mm}}{(\text{INCH})}$

| MODEL     |      |             | Rated Voltage | Operating Voltage Range | Input Current | Input Power | Speed  | Maximum Air Flow    |       | Maximum Air Pressure |                     | Noise |
|-----------|------|-------------|---------------|-------------------------|---------------|-------------|--------|---------------------|-------|----------------------|---------------------|-------|
| PART NO.  | REV. | FUNCTION    | VDC           | VDC                     | Amp           | Watt        | R.P.M. | m <sup>3</sup> /min | CFM   | mmH <sub>2</sub> O   | IN H <sub>2</sub> O | dB-A  |
| AFB0612GH | -A   | -R00 / -F00 | 12            | 7.0 to 13.2             | 0.55          | 6.60        | 7500   | 1.188               | 41.95 | 16.27                | 0.640               | 50.5  |
| AFB0612UH | -A   | -R00 / -F00 | 12            | 7.0 to 13.2             | 0.69          | 8.28        | 8200   | 1.307               | 46.16 | 19.66                | 0.774               | 52.5  |
| AFB0612DH | -A   | -R00 / -F00 | 12            | 7.0 to 13.2             | 0.84          | 10.08       | 9000   | 1.427               | 50.40 | 23.52                | 0.926               | 55.0  |

\* Function type is optional.  
 \* The max. air flow and the speed are measured in free air ; max. air pressure is measured at zero air flow.  
 \* Noise is measured in anechoic chamber in free air, one meter from intake side.  
 \* All readings are typical values at rated voltage.  
 \* Specifications are subject to change without notice.