

## LMV225/LMV226/LMV228

### RF Power Detector for CDMA and WCDMA in micro SMD

#### General Description

The LMV225/LMV226/LMV228 are 30dB RF power detectors intended for use in CDMA and WCDMA applications. The device has an RF frequency range from 450 MHz to 2 GHz. It provides an accurate temperature and supply compensated output voltage that relates linearly to the RF input power in dBm. The circuit operates with a single supply from 2.7V to 5.5V. The LMV225/LMV226/LMV228 have an integrated filter for low-ripple average power detection of CDMA signals with 30 dB dynamic range. Additional filtering can be applied using a single external capacitor.

The LMV225 has an RF power detection range from -30 dBm to 0 dBm and is ideally suited for direct use in combination with resistive taps. The LMV226/LMV228 have a detection range from -15 dBm to 15 dBm and are intended for use in combination with a directional coupler. The LMV226 is equipped with a buffered output which makes it suitable for GSM, EDGE, GPRS and TDMA applications.

The device is active for Enable = HI, otherwise it is in a low power consumption shutdown mode. During shutdown the output will be LOW. The output voltage ranges from 0.2V to 2V and can be scaled down to meet ADC input range requirements.

The LMV225/LMV226/LMV228 power detectors are offered in the small 1.0 mm x 1.0 mm X 0.6 mm micro SMD package.

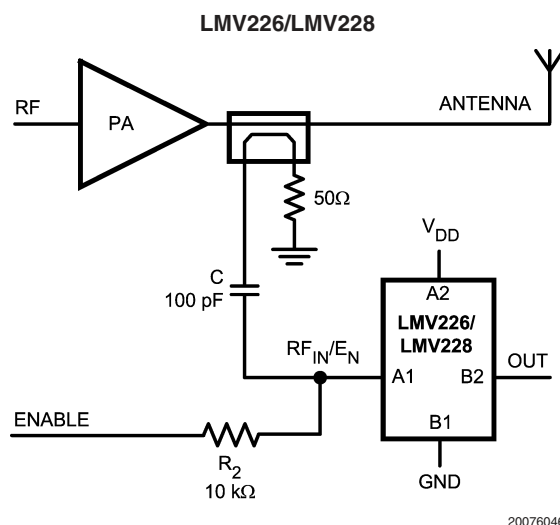
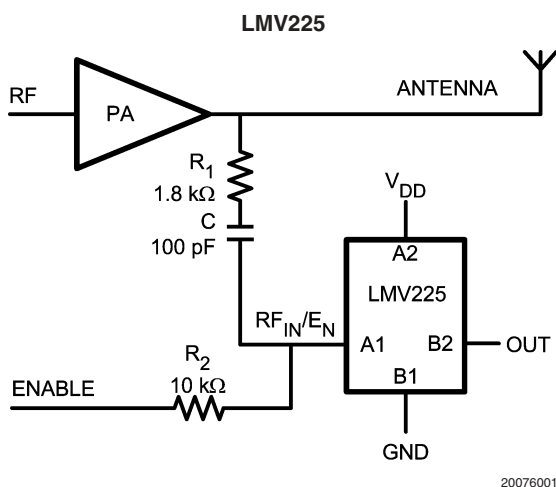
#### Features

- 30 dB linear in dB power detection range
- Output voltage range 0.2 to 2V
- Logic low shutdown
- Multi-band operation from 450 MHz to 2000 MHz
- Accurate temperature compensation
- micro SMD package 1.0 mm x 1.0 mm x 0.6 mm

#### Applications

- CDMA RF power control
- WCDMA RF power control
- CDMA2000 RF power control
- PA modules

#### Typical Application



**Absolute Maximum Ratings** (Note 1)

If Military/Aerospace specified devices are required, please contact the National Semiconductor Sales Office/Distributors for availability and specifications.

Supply Voltage	
$V_{DD} - GND$	6.0V Max
ESD Tolerance (Note 2)	
Human Body Model	2000V
Machine Model	200V
Storage Temperature Range	-65°C to 150°C

Junction Temperature (Note 3)	150°C Max
Mounting Temperature	
Infrared or convection (20 sec)	235°C

**Operating Ratings** (Note 1)

Supply Voltage	2.7V to 5.5V
Temperature Range	-40°C to +85°C
RF Frequency Range	450 MHz to 2 GHz

**2.7 DC and AC Electrical Characteristics**

Unless otherwise specified, all limits are guaranteed to  $V_{DD} = 2.7V$ ;  $T_J = 25^\circ C$ . **Boldface** limits apply at temperature extremes. (Note 4)

Symbol	Parameter	Condition	Min	Typ	Max	Units	
$I_{DD}$	Supply Current	Active Mode: $RF_{IN}/E_N = V_{DD}$ (DC), No RF Input Power Present	LMV225		4.8	7 <b>8</b>	mA
			LMV226		4.9	6.2 <b>8</b>	
			LMV228		4.9	6.2 <b>8</b>	
		Shutdown: $RF_{IN}/E_N = GND$ (DC), No RF Input Power Present		0.44	<b>4.5</b>	$\mu A$	
$V_{LOW}$	$E_N$ Logic Low Input Level (Note 6)				<b>0.8</b>	V	
$V_{HIGH}$	$E_N$ Logic High Input Level (Note 6)		<b>1.8</b>			V	
$t_{on}$	Turn-on-Time (Note 9)	No RF Input Power Present, Output Loaded with 10pF	LMV225		2.1		$\mu s$
			LMV226		1.2		
			LMV228		1.7		
$t_r$	Rise Time (Note 7)	Step from no Power to 0 dBm Applied, Output Loaded with 10pF	LMV225		4.5		$\mu s$
			LMV226		1.8		
		Step from no Power to 15 dBm Applied, Output Loaded with 10pF	LMV228		4.8		
$I_{EN}$	Current into $RF_{IN}/E_N$ Pin				<b>1</b>	$\mu A$	
$P_{IN}$	Input Power Range (Note 5)	LMV225		-30 0		dBm	
				-43 -13		dBV	
		LMV226		-15 15		dBm	
				-28 2		dBV	
		LMV228		-15 15		dBm	
				-28 2		dBV	

## 2.7 DC and AC Electrical Characteristics (Continued)

Unless otherwise specified, all limits are guaranteed to  $V_{DD} = 2.7V$ ;  $T_J = 25^\circ C$ . **Boldface** limits apply at temperature extremes. (Note 4)

Symbol	Parameter	Condition	Min	Typ	Max	Units
	Logarithmic Slope (Note 8)	900 MHz	LMV225	44.0		mV/dB
			LMV226	44.5		
			LMV228	44.0		
		1800 MHz	LMV225	39.4		
			LMV226	41.6		
			LMV228	41.9		
		1900 MHz	LMV225	38.5		
			LMV226	41.2		
			LMV228	41.6		
		2000 MHz	LMV225	38.5		
			LMV226	41.0		
			LMV228	41.2		
	Logarithmic Intercept (Note 8)	900 MHz	LMV225	-45.5		dBm
			LMV226	-24.5		
			LMV228	-27.2		
		1800 MHz	LMV225	-46.6		
			LMV226	-25.1		
			LMV228	-28.2		
		1900 MHz	LMV225	-46.3		
			LMV226	-24.9		
			LMV228	-28.0		
		2000 MHz	LMV225	-46.7		
			LMV226	-24.7		
			LMV228	-28.0		
$V_{OUT}$	Output Voltage	No RF Input Power Present	LMV225	214	<b>350</b>	mV
			LMV226	223	<b>350</b>	
			LMV228	228	<b>350</b>	
$I_{OUT}$	Output Current Sourcing/Sinking	LMV226 Only	<b>4.5</b>	5.3		mA
$R_{OUT}$	Output Impedance	LMV225/LMV228 only, no RF Input Power Present		19.8	29 <b>34</b>	k $\Omega$
$e_n$	Output Referred Noise	RF Input = 1800 MHz, -10 dBm for LMV225 and 5 dBm for LMV226/LMV228, Measured at 10 kHz		700		nV/ $\sqrt{Hz}$

## 2.7 DC and AC Electrical Characteristics (Continued)

Unless otherwise specified, all limits are guaranteed to  $V_{DD} = 2.7V$ ;  $T_J = 25^\circ C$ . **Boldface** limits apply at temperature extremes. (Note 4)

Symbol	Parameter	Condition	Min	Typ	Max	Units
	Variation Due to Temperature	900 MHz, $RF_{IN} = 0$ dBm Referred to $25^\circ C$	LMV225		+0.64 -1.07	dB
			LMV226		+0.05 -0.02	
		900 MHz, $RF_{IN} = 15$ dBm Referred to $25^\circ C$	LMV228		+0.22 -0.36	
			LMV225		+0.09 -0.86	
		1800 MHz, $RF_{IN} = 15$ dBm Referred to $25^\circ C$	LMV226		+0.07 -0.10	
			LMV228		+0.29 -0.57	
		1900 MHz, $RF_{IN} = 0$ dBm Referred to $25^\circ C$	LMV225		+0 -0.69	
			LMV226		+0 -0.10	
		1900 MHz, $RF_{IN} = 15$ dBm Referred to $25^\circ C$	LMV228		+0.23 -0.64	
			LMV225		+0 -0.86	
		2000 MHz, $RF_{IN} = 15$ dBm Referred to $25^\circ C$	LMV226		+0 -0.29	
			LMV228		+0.27 -0.65	

## 5.0 DC and AC Electrical Characteristics

Unless otherwise specified, all limits are guaranteed to  $V_{DD} = 5.0V$ ;  $T_J = 25^\circ C$ . **Boldface** limits apply at temperature extremes. (Note 4)

Symbol	Parameter	Condition	Min	Typ	Max	Units	
$I_{DD}$	Supply Current	Active Mode: $RF_{IN}/E_N = V_{DD}$ (DC), no RF Input Power Present.	LMV225		5.3	7.5 <b>9</b>	mA
			LMV226		5.3	6.8 <b>9</b>	
			LMV228		5.4	6.8 <b>9</b>	
		Shutdown: $RF_{IN}/E_N = GND$ (DC), no RF Input Power Present.				0.32	<b>4.5</b>
$V_{LOW}$	$E_N$ Logic Low Input Level (Note 6)				<b>0.8</b>	V	
$V_{HIGH}$	$E_N$ Logic High Input Level (Note 6)		<b>1.8</b>			V	
$t_{on}$	Turn-on-Time (Note 9)	No RF Input Power Present, Output Loaded with 10pF	LMV225		2.1	$\mu s$	
			LMV226		1.0		
			LMV228		1.7		
$t_r$	Rise Time (Note 7)	Step from no Power to 0 dBm Applied, Output Loaded with 10pF	LMV225		4.5	$\mu s$	
			LMV226		1.4		
		LMV228		4.8			

## 5.0 DC and AC Electrical Characteristics (Continued)

Unless otherwise specified, all limits are guaranteed to  $V_{DD} = 5.0V$ ;  $T_J = 25^\circ C$ . **Boldface** limits apply at temperature extremes. (Note 4)

Symbol	Parameter	Condition	Min	Typ	Max	Units
$I_{EN}$	Current Into RF <sub>IN</sub> /E <sub>N</sub> Pin				<b>1</b>	$\mu A$
$P_{IN}$	Input Power Range (Note 5)	LMV225		-30 0		dBm
				-43 -13		dBV
		LMV226		-15 15		dBm
				-28 2		dBV
		LMV228		-15 15		dBm
				-28 2		dBV
	Logarithmic Slope (Note 8)	900 MHz	LMV225	44.6		mV/dB
			LMV226	44.6		
			LMV228	44.2		
		1800 MHz	LMV225	40.6		
			LMV226	42.2		
			LMV228	42.4		
		1900 MHz	LMV225	39.6		
			LMV226	41.8		
			LMV228	42.2		
		2000 MHz	LMV225	39.7		
			LMV226	41.6		
			LMV228	41.8		
	Logarithmic Intercept (Note 8)	900 MHz	LMV225	-47.0		dBm
			LMV226	-25.0		
			LMV228	-27.7		
		1800 MHz	LMV225	-48.5		
			LMV226	-25.7		
			LMV228	-28.9		
		1900 MHz	LMV225	-48.2		
			LMV226	-25.6		
			LMV228	-28.7		
		2000 MHz	LMV225	-48.9		
			LMV226	-25.5		
			LMV228	-28.7		
$V_{OUT}$	Output Voltage	No RF Input Power Present	LMV225	222	<b>400</b>	mV
			LMV226	231	<b>400</b>	
			LMV228	244	<b>400</b>	
$I_{OUT}$	Output Current Sourcing/Sinking	LMV226 Only	<b>4.5</b>	5.3		mA
$R_{OUT}$	Output Impedance	No RF Input Power Present		23.7	29 <b>31</b>	k $\Omega$
$e_n$	Output Referred Noise	RF Input = 1800 MHz, -10 dBm for LMV225 and 5 dBm for LMV226/LMV228, Measured at 10 kHz		700		nV/ $\sqrt{Hz}$

## 5.0 DC and AC Electrical Characteristics (Continued)

Unless otherwise specified, all limits are guaranteed to  $V_{DD} = 5.0V$ ;  $T_J = 25^\circ C$ . **Boldface** limits apply at temperature extremes. (Note 4)

Symbol	Parameter	Condition	Min	Typ	Max	Units	
	Variation Due to Temperature	900 MHz, $RF_{IN} = 0$ dBm Referred to $25^\circ C$	LMV225		+0.89 -1.16		dB
			LMV226		+0.25 -0.16		
		900 MHz, $RF_{IN} = 15$ dBm Referred to $25^\circ C$	LMV228		+0.46 -0.62		
			LMV225		+0.3 -0.82		
		1800 MHz, $RF_{IN} = 15$ dBm Referred to $25^\circ C$	LMV226		+0.21 -0.09		
			LMV228		+0.55 -0.78		
		1900 MHz, $RF_{IN} = 0$ dBm Referred to $25^\circ C$	LMV225		+0.34 -0.63		
			LMV226		+0.21 -0.19		
		1900 MHz, $RF_{IN} = 15$ dBm Referred to $25^\circ C$	LMV228		+0.55 -0.93		
			LMV225		+0.22 -0.75		
		2000 MHz $RF_{IN} = 15$ dBm Referred to $25^\circ C$	LMV226		+0.25 -0.34		
			LMV228		+0.61 -0.91		

**Note 1:** Absolute Maximum Ratings indicate limits beyond which damage to the device may occur. Operating Ratings indicate conditions for which the device is intended to be functional, but specific performance is not guaranteed. For guaranteed specifications and the test conditions, see the Electrical Characteristics.

**Note 2:** Human body model: 1.5 k $\Omega$  in series with 100 pF. Machine model, 0 $\Omega$  in series with 100 pF.

**Note 3:** The maximum power dissipation is a function of  $T_{J(MAX)}$ ,  $\theta_{JA}$  and  $T_A$ . The maximum allowable power dissipation at any ambient temperature is  $P_D = (T_{J(MAX)} - T_A)/\theta_{JA}$ . All numbers apply for packages soldered directly into a PC board

**Note 4:** Electrical Table values apply only for factory testing conditions at the temperature indicated. Factory testing conditions result in very limited self-heating of the device such that  $T_J = T_A$ . No guarantee of parametric performance is indicated in the electrical tables under conditions of internal self-heating where  $T_J > T_A$ .

**Note 5:** Power in dBV = dBm + 13 when the impedance is 50 $\Omega$ .

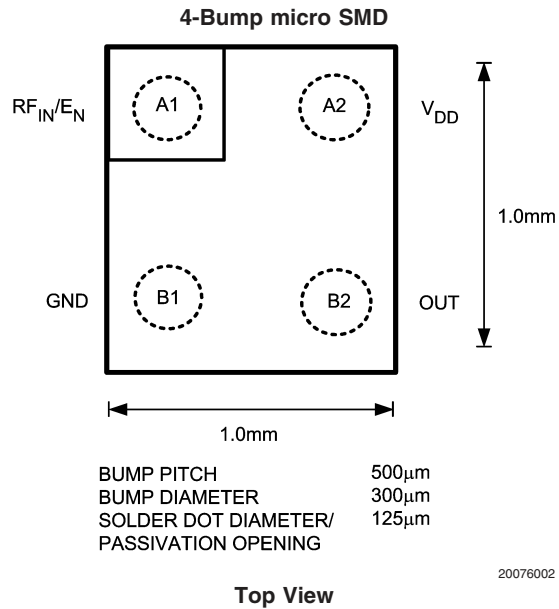
**Note 6:** All limits are guaranteed by design or statistical analysis

**Note 7:** Typical values represent the most likely parametric norm.

**Note 8:** Device is set in active mode with a 10 k $\Omega$  resistor from  $V_{DD}$  to  $RF_{IN}/E_N$ . RF signal is applied using a 50 $\Omega$  RF signal generator AC coupled to the  $RF_{IN}/E_N$  pin using a 100 pF coupling capacitor.

**Note 9:** Turn-on time is measured by connecting a 10 k $\Omega$  resistor to the  $RF_{IN}/E_N$  pin. Be aware that in the actual application on the front page, the RC-time constant of resistor  $R_2$  and capacitor C adds an additional delay.

## Connection Diagram



## Pin Description

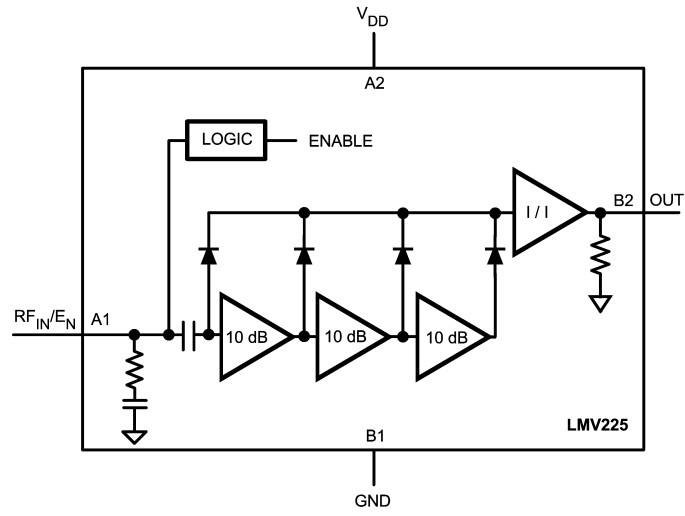
	Pin	Name	Description
Power Supply	A2	$V_{DD}$	Positive Supply Voltage
	B1	GND	Power Ground
	A1	$RF_{IN}/E_N$	DC voltage determines enable state of the device (HIGH = device active). AC voltage is the RF input signal to the detector (beyond 450 MHz). The $RF_{IN}/E_N$ pin is internally terminated with 50Ω in series with 45 pF.
Output	B2	Out	Ground referenced detector output voltage (linear in dBm)

## Ordering Information

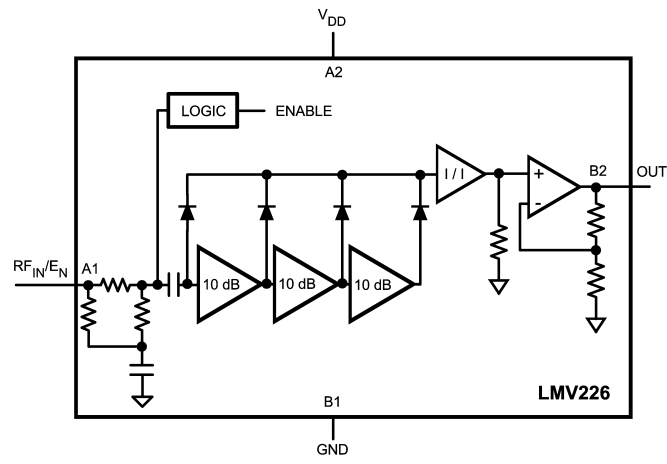
Package	Part Number	Package Marking	Transport Media	NSC Drawing
4-Bump micro SMD	LMV225TL		250 Units Tape and Reel	TLA04AAA
	LMV225TLX		3k Units Tape and Reel	
	LMV226TL		250 Units Tape and Reel	
	LMV226TLX		3k Units Tape and Reel	
	LMV228TL		250 Units Tape and Reel	
	LMV228TLX		3k Units Tape and Reel	

**Note:** This product is only offered with lead free bumps.

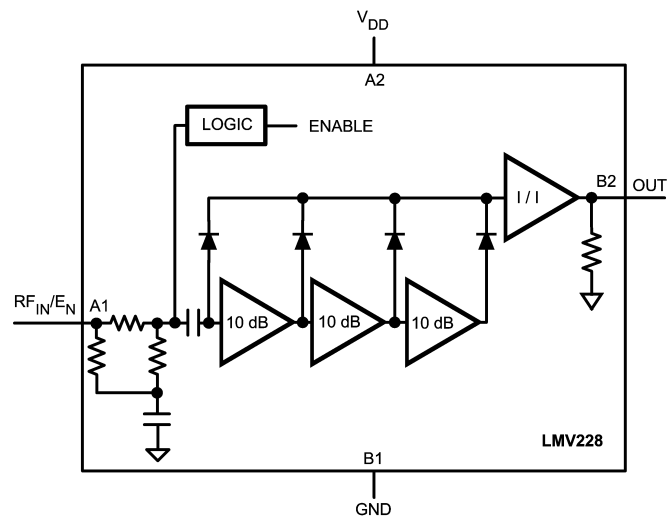
# Block Diagrams



LMV225



LMV226



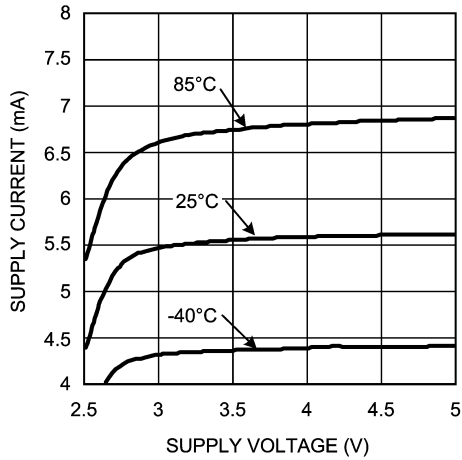
LMV228



# Typical Performance Characteristics

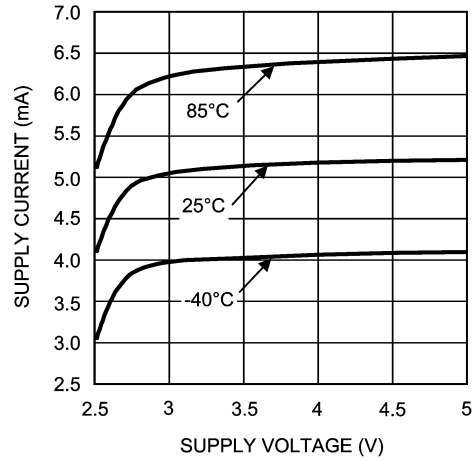
Unless otherwise specified,  $V_{DD} = 2.7V$ ,  $T_J = 25^\circ C$ .

Supply Current vs. Supply Voltage (LMV225)



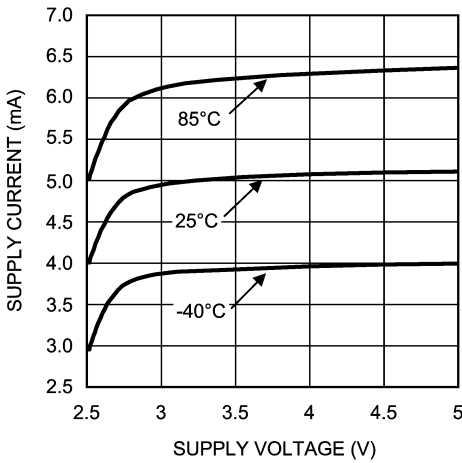
20076004

Supply Current vs. Supply Voltage (LMV226)



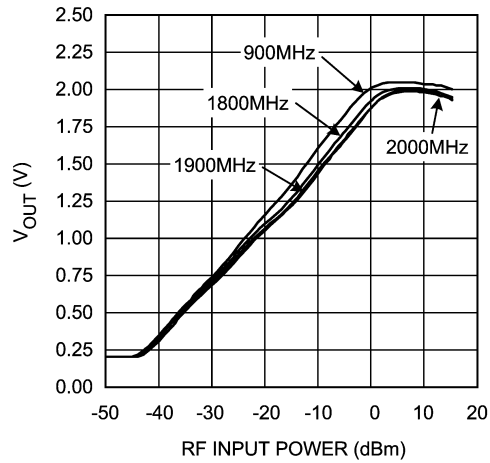
20076051

Supply Current vs. Supply Voltage (LMV228)



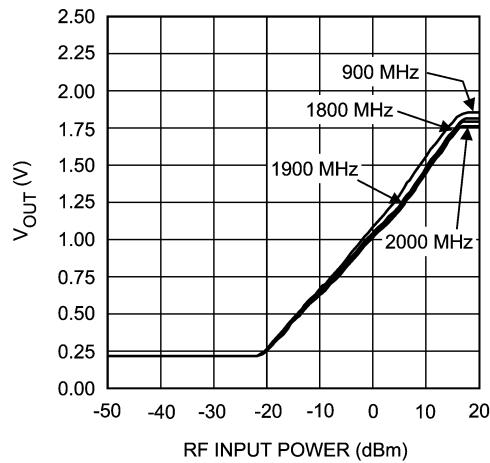
20076034

Output Voltage vs. RF Input Power (LMV225)



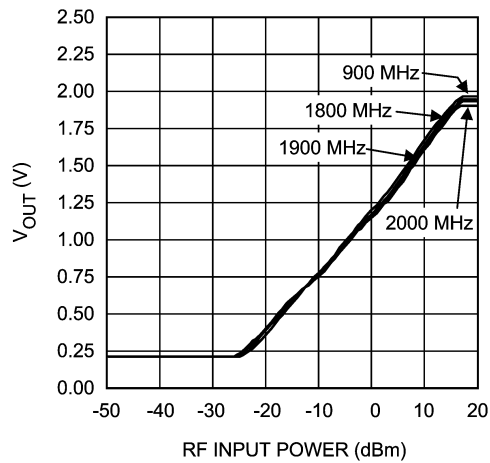
20076005

Output Voltage vs. RF Input Power (LMV226)



20076052

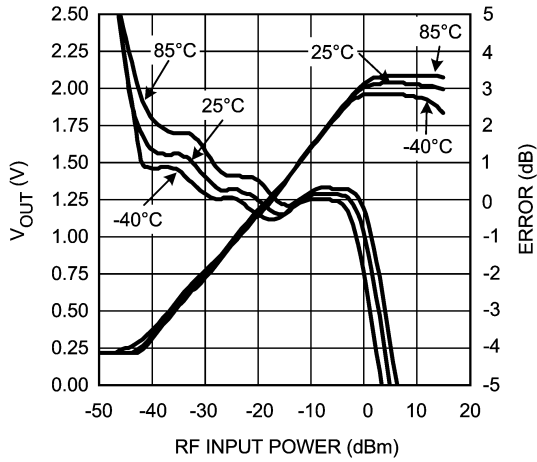
Output Voltage vs. RF Input Power (LMV228)



20076035

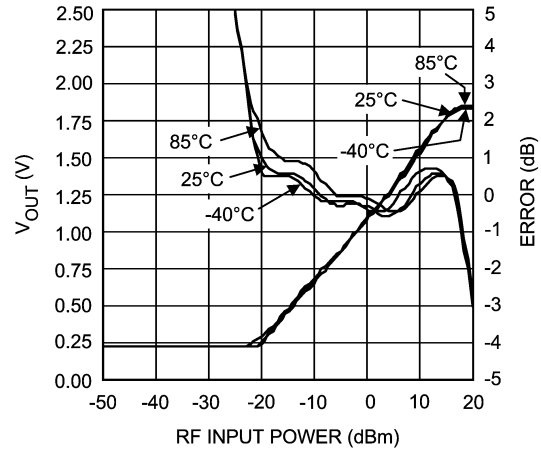
**Typical Performance Characteristics** Unless otherwise specified,  $V_{DD} = 2.7V$ ,  $T_J = 25^\circ C$ . (Continued)

**Output Voltage and Log Conformance vs. RF Input Power @ 900 MHz (LMV225)**



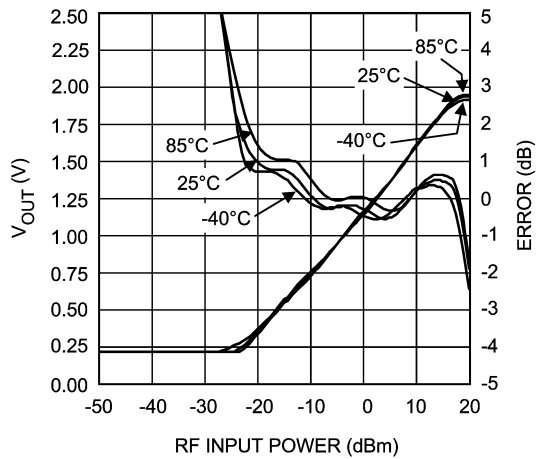
20076006

**Output Voltage and Log Conformance vs. RF Input Power @ 900 MHz (LMV226)**



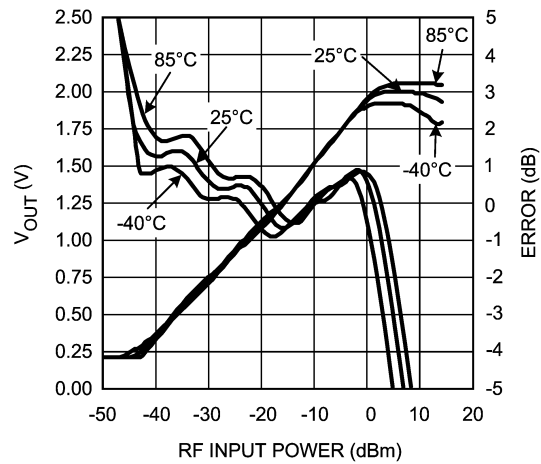
20076053

**Output Voltage and Log Conformance vs. RF Input Power @ 900 MHz (LMV228)**



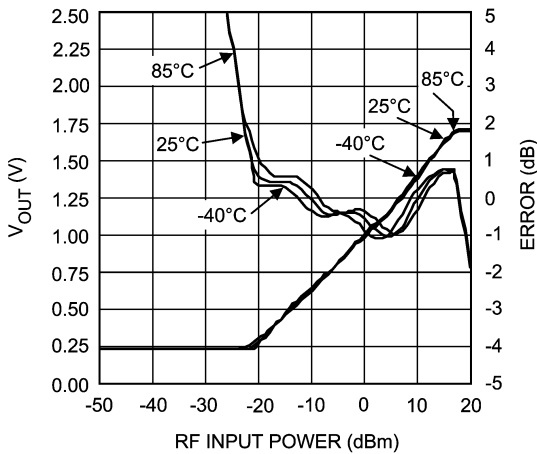
20076036

**Output Voltage and Log Conformance vs. RF Input Power @ 1800 MHz (LMV225)**



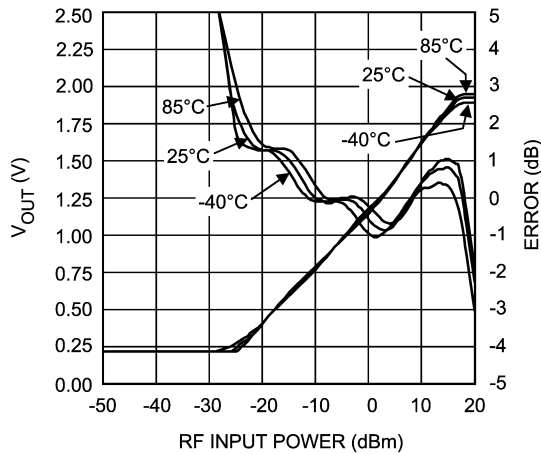
20076007

**Output Voltage and Log Conformance vs. RF Input Power @ 1800 MHz (LMV226)**



20076054

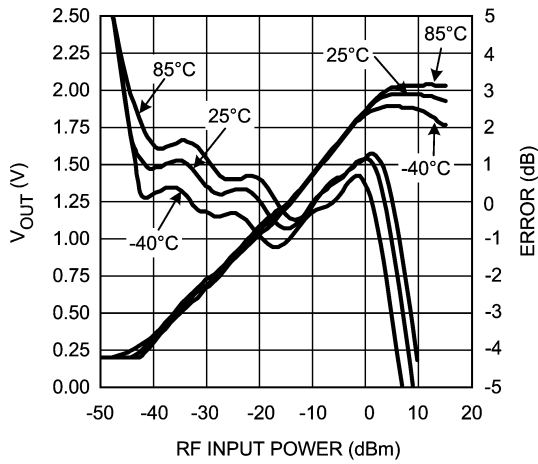
**Output Voltage and Log Conformance vs. RF Input Power @ 1800 MHz (LMV228)**



20076037

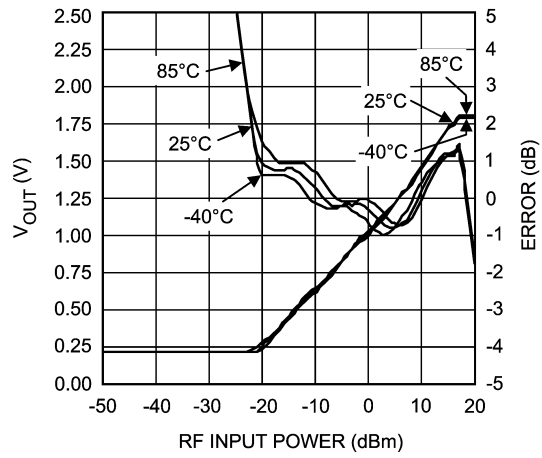
**Typical Performance Characteristics** Unless otherwise specified,  $V_{DD} = 2.7V$ ,  $T_J = 25^\circ C$ . (Continued)

**Output Voltage and Log Conformance vs. RF Input Power @ 1900 MHz (LMV225)**



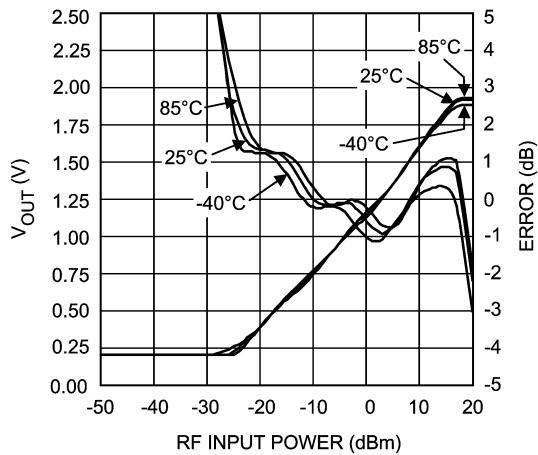
20076008

**Output Voltage and Log Conformance vs. RF Input Power @ 1900 MHz (LMV226)**



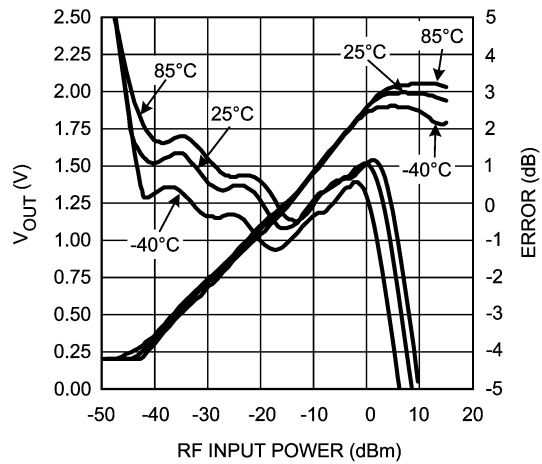
20076055

**Output Voltage and Log Conformance vs. RF Input Power @ 1900 MHz (LMV228)**



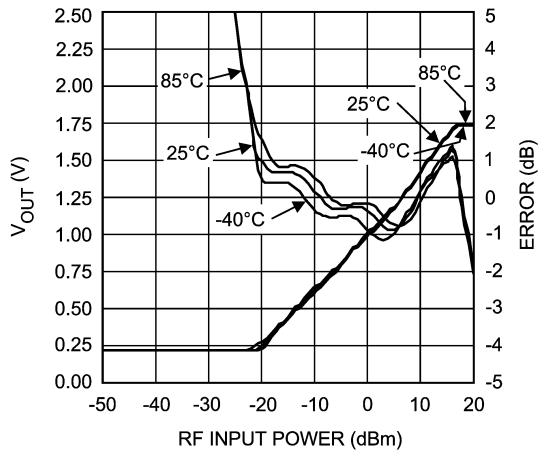
20076038

**Output Voltage and Log Conformance vs. RF Input Power @ 2000 MHz (LMV225)**



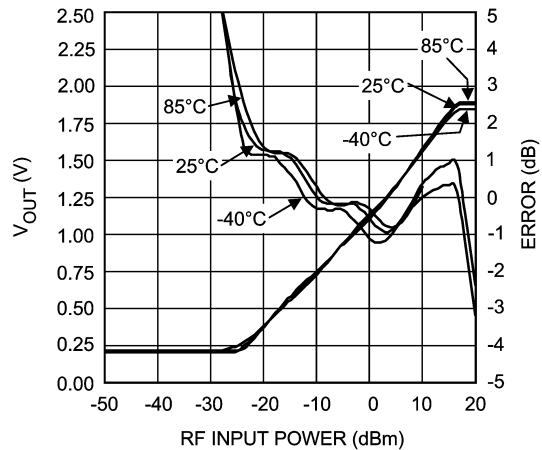
20076009

**Output Voltage and Log Conformance vs. RF Input Power @ 2000 MHz (LMV226)**



20076056

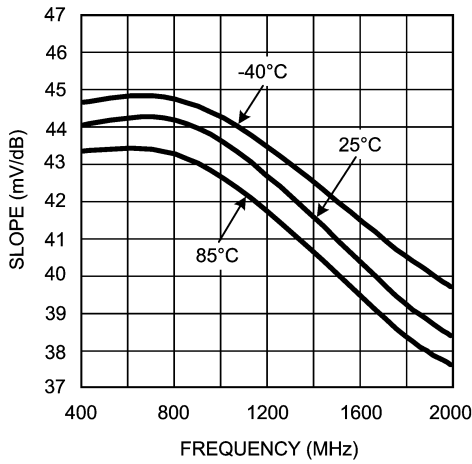
**Output Voltage and Log Conformance vs. RF Input Power @ 2000 MHz (LMV228)**



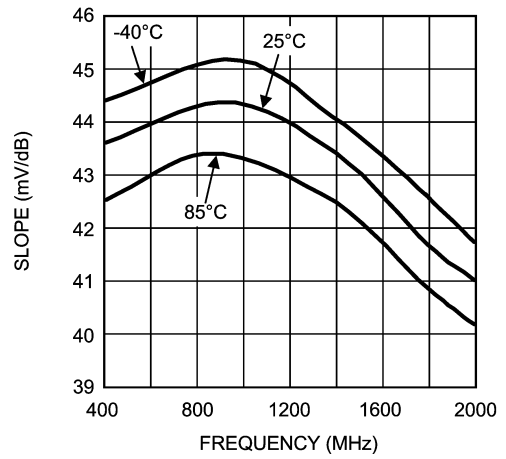
20076039

**Typical Performance Characteristics** Unless otherwise specified,  $V_{DD} = 2.7V$ ,  $T_J = 25^\circ C$ . (Continued)

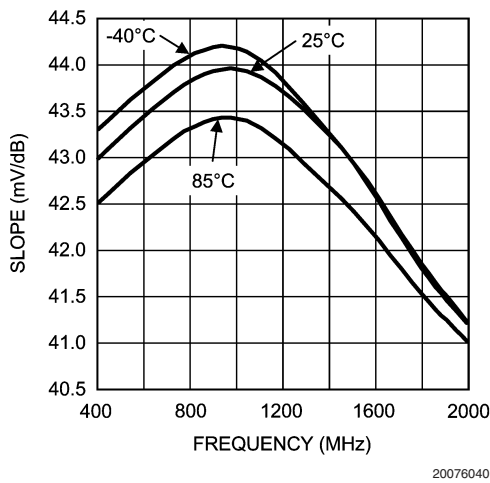
**Logarithmic Slope vs. Frequency (LMV225)**



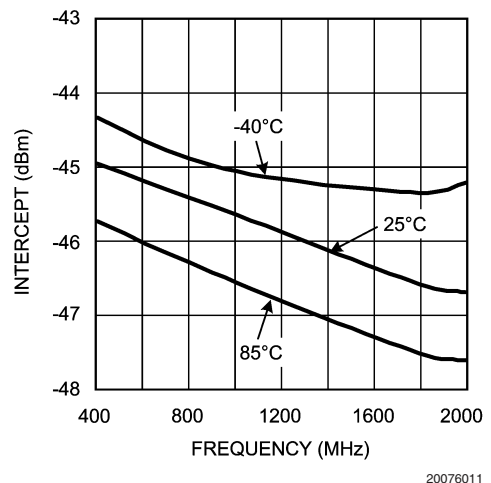
**Logarithmic Slope vs. Frequency (LMV226)**



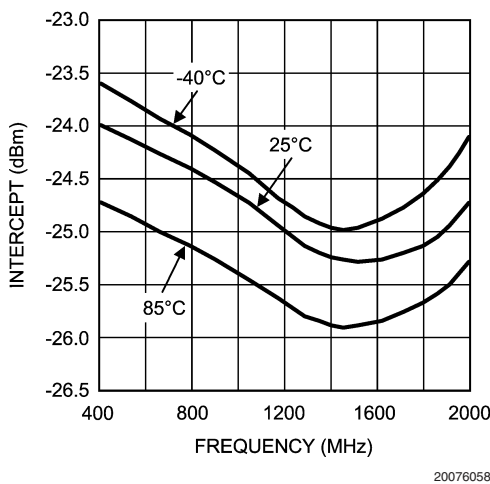
**Logarithmic Slope vs. Frequency (LMV228)**



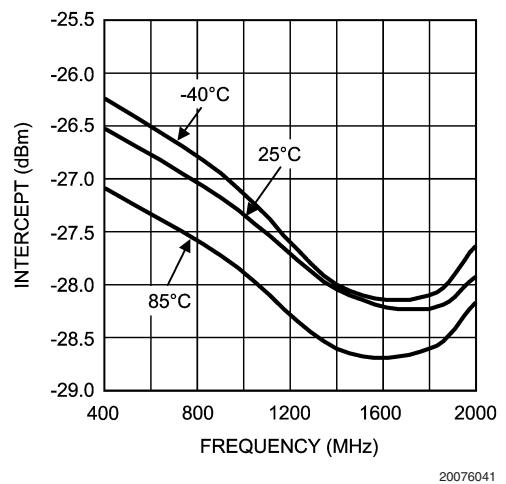
**Logarithmic Intercept vs. Frequency (LMV225)**



**Logarithmic Intercept vs. Frequency (LMV226)**

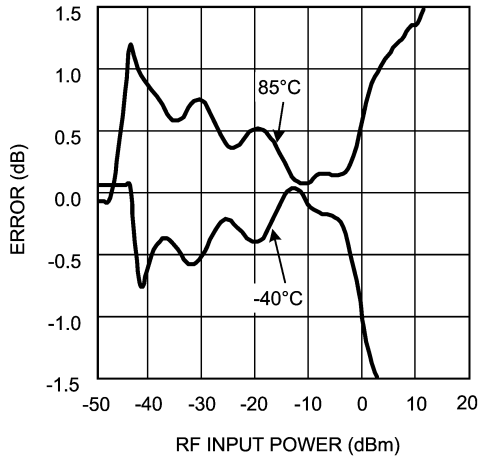


**Logarithmic Intercept vs. Frequency (LMV228)**



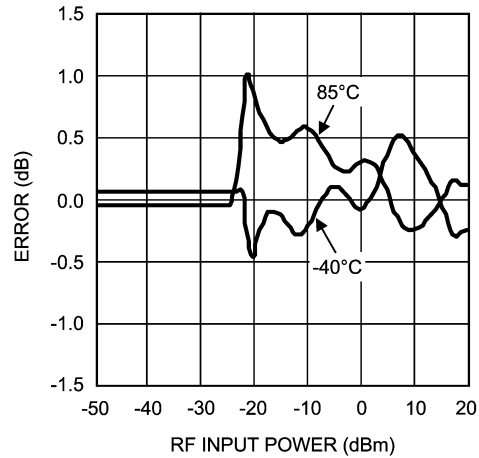
**Typical Performance Characteristics** Unless otherwise specified,  $V_{DD} = 2.7V$ ,  $T_J = 25^\circ C$ . (Continued)

**Output Variation vs. RF Input Power Normalized to  $25^\circ C$   
@ 900 MHz (LMV225)**



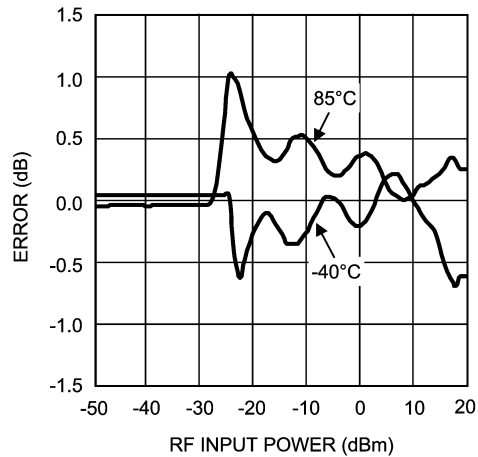
20076012

**Output Variation vs. RF Input Power Normalized to  $25^\circ C$   
@ 900 MHz (LMV226)**



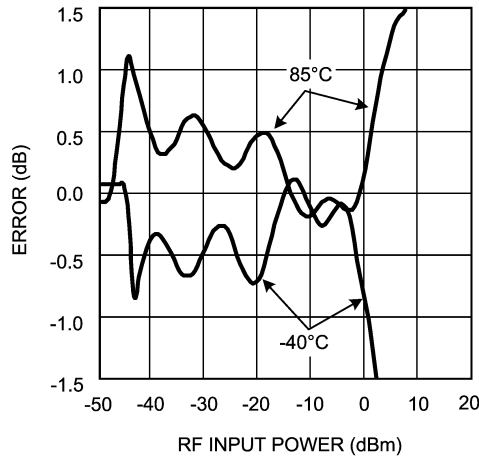
20076059

**Output Variation vs. RF Input Power Normalized to  $25^\circ C$   
@ 900 MHz (LMV228)**



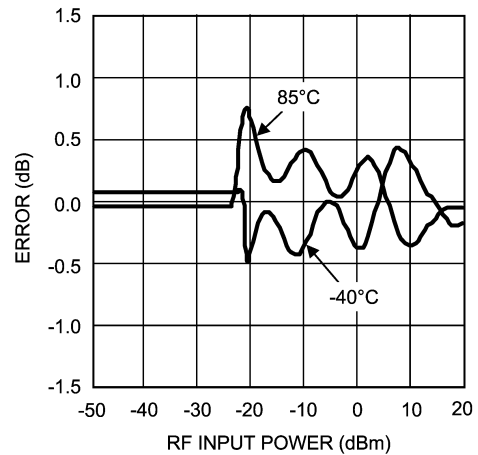
20076042

**Output Variation vs. RF Input Power Normalized to  $25^\circ C$   
@ 1800 MHz (LMV225)**



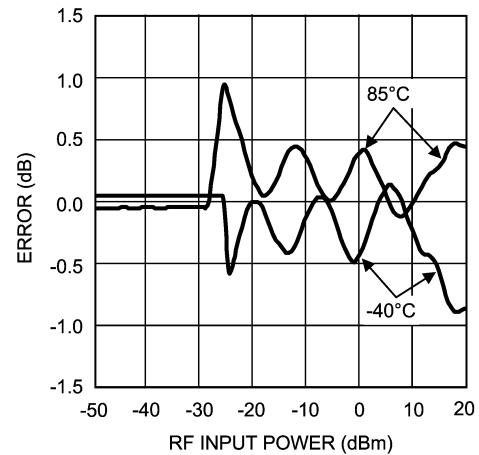
20076013

**Output Variation vs. RF Input Power Normalized to  $25^\circ C$   
@ 1800 MHz (LMV226)**



20076060

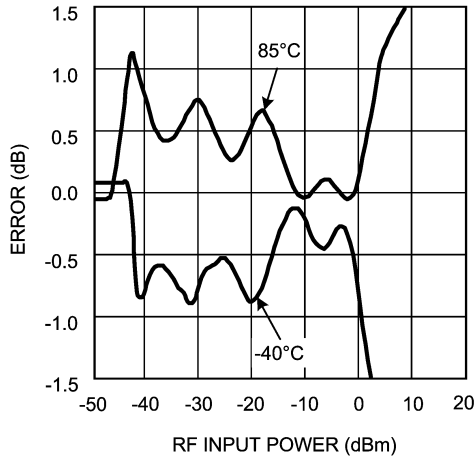
**Output Variation vs. RF Input Power Normalized to  $25^\circ C$   
@ 1800 MHz (LMV228)**



20076043

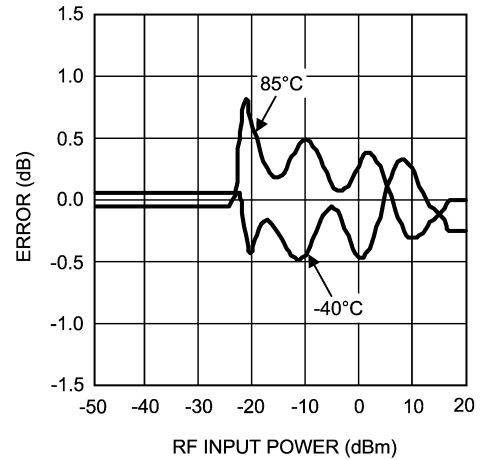
**Typical Performance Characteristics** Unless otherwise specified,  $V_{DD} = 2.7V$ ,  $T_J = 25^\circ C$ . (Continued)

**Output Variation vs. RF Input Power Normalized to 25°C @ 1900 MHz (LMV225)**



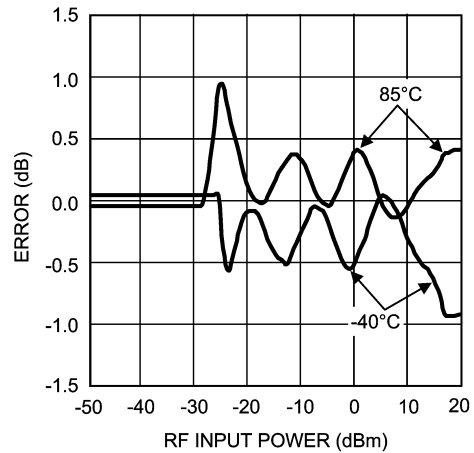
20076014

**Output Variation vs. RF Input Power Normalized to 25°C @ 1900 MHz (LMV226)**



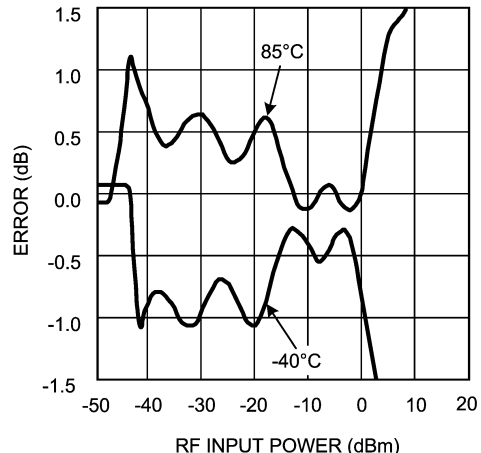
20076061

**Output Variation vs. RF Input Power Normalized to 25°C @ 1900 MHz (LMV228)**



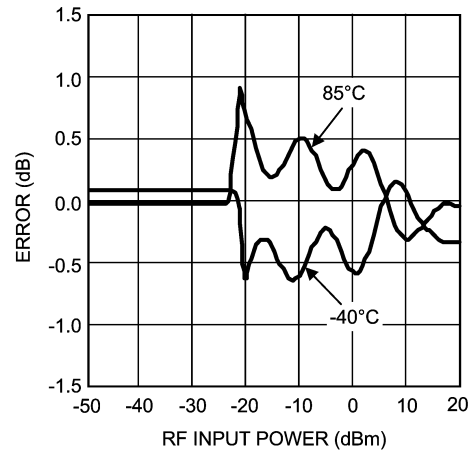
20076044

**Output Variation vs. RF Input Power Normalized to 25°C @ 2000 MHz (LMV225)**



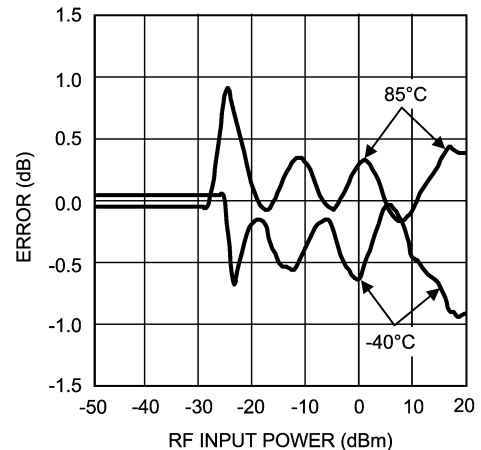
20076015

**Output Variation vs. RF Input Power Normalized to 25°C @ 2000 MHz (LMV226)**



20076062

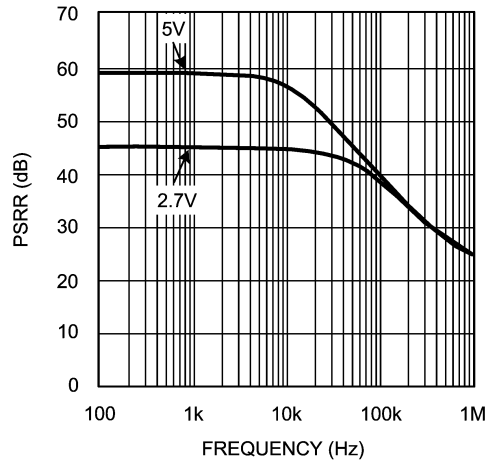
**Output Variation vs. RF Input Power Normalized to 25°C @ 2000 MHz (LMV228)**



20076045

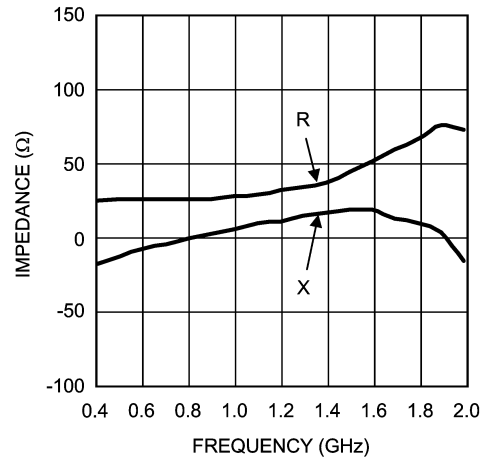
**Typical Performance Characteristics** Unless otherwise specified,  $V_{DD} = 2.7V$ ,  $T_J = 25^\circ C$ . (Continued)

**PSRR vs. Frequency (LMV225, LMV226 and LMV228)**



20076023

**RF Input Impedance vs. Frequency @ Resistance and Reactance (LMV225, LMV226 and LMV228)**



20076024

## Application Notes

### CONFIGURING A TYPICAL APPLICATION

The LMV225/LMV226/LMV228 are power detectors intended for CDMA and WCDMA applications. Power applied at its input translates to a DC voltage on the output through a linear-in-dB response. The LMV225 detector is especially suited for power measurements via a high-resistive tap, while the LMV226/LMV228 are designed to be used in combination with a directional coupler. The LMV226 has an additional output voltage buffer and therefore a low output impedance. The key features of the devices are shown in table 1.

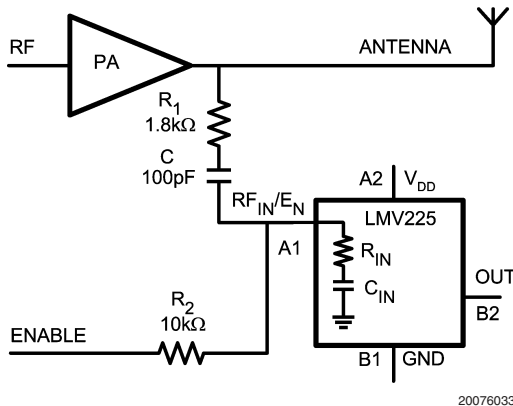
**TABLE 1. DEVICE CHARACTERISTICS**

	Input Range (dBm)	Output Buffer	Application
LMV225	-30 / 0	No	High Resistive Tap
LMV226	-15 / 15	Yes	Directional Coupler
LMV228	-15 / 15	No	Directional Coupler

In order to match the output power range of the power amplifier (PA) with the range of the LMV225's input, the high resistive tap needs to be configured correctly. In case of the LMV226/LMV228 the coupling factor of the directional coupler needs to be chosen correctly.

### HIGH RESISTIVE TAP APPLICATION

The constant input impedance of the device enables the realization of a frequency independent input attenuation to adjust the LMV225's range to the range of the PA. Resistor  $R_1$  and the  $50\Omega$  input resistance ( $R_{IN}$ ) of the device realize this attenuation (Figure 1). To minimize insertion loss, resistor  $R_1$  needs to be sufficiently large. The following example demonstrates how to determine the proper value for  $R_1$ .



**FIGURE 1. Typical LMV225 Application with High Resistive Tap**

Suppose the useful output power of the PA ranges up to +31 dBm. As the LMV225 can handle input power levels up to 0 dBm.  $R_1$  should realize a minimum attenuation of  $31 - 0 = 31$  dB. The attenuation realized by  $R_1$  and the effective input resistance  $R_{IN}$  of the detector equals:

$$A_{dB} = 20 \cdot \text{LOG} \left[ 1 + \frac{R_1}{R_{IN}} \right] = 31 \text{ dB} \quad (1)$$

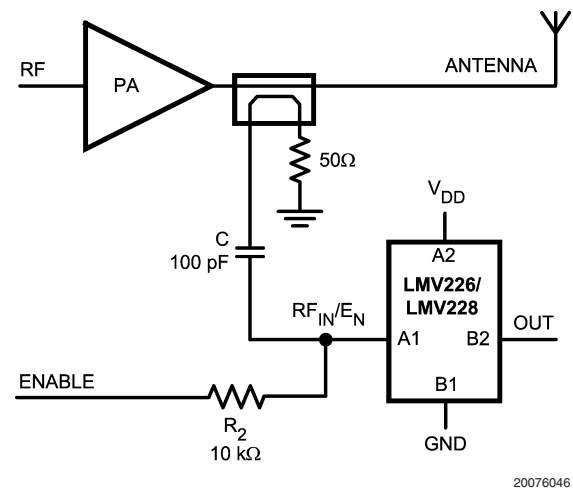
Solving this expression for  $R_1$ , using that  $R_{IN} = 50\Omega$ , yields:

$$R_1 = \left[ 10^{\frac{A_{dB}}{20}} - 1 \right] \cdot R_{IN} = \left[ 10^{\frac{31}{20}} - 1 \right] \cdot 50 = 1724\Omega \quad (2)$$

In Figure 1,  $R_1$  is set to  $1800\Omega$  resulting in an attenuation of 31.4 dB

### DIRECTIONAL COUPLER APPLICATION

The LMV226/LMV228 also has a  $50\Omega$  input resistance. However, its input range differs compared to the LMV225, i.e. -15 dBm to +15 dBm. If a typical attenuation of a directional coupler is 20 dB, the LMV226/LMV228 can be directly connected via the directional coupler to the PA without the need of additional external attenuator (Figure 2). Different PA ranges can be configured using couplers with other coupling factors.



**FIGURE 2. Typical LMV226/LMV228 Application with Directional Coupler**

### SHUTDOWN FUNCTIONALITY

The LMV225/LMV226/LMV228  $RF_{IN}/E_N$  pins have 2 functions combined:

- Enable/Shutdown
- Power input

The capacitor  $C$  and the resistor  $R_2$  (Figure 1 and Figure 2) separate the DC shutdown functionality from the AC power measurement. The device is active when Enable = HI, otherwise it is in a low power consumption shutdown mode. During shutdown the output will be LOW.

Capacitor  $C$  should be chosen sufficiently large to ensure a corner frequency far below the lowest input frequency to be measured. In case of the LMV225 the corner frequency can be calculated using:

$$f = \frac{1}{2\pi(R_1 + R_{IN}) \frac{C \cdot C_{IN}}{C + C_{IN}}} \quad (3)$$

Where  $R_{IN} = 50\Omega$ ,  $C_{IN} = 45$  pF typical.

With  $R_1 = 1800\Omega$  and  $C = 100$  pF, this results in a corner frequency of 2.8 MHz. This corner frequency is an indicative



## Application Notes (Continued)

number. The goal is to have a magnitude transfer, which is sufficiently flat in the used frequency range; capacitor C should be chosen significantly larger than capacitor C<sub>IN</sub> to assure a proper performance of the high resistive tap. Capacitor C shouldn't be chosen excessively large since the RC-time, it introduces in combination with resistor R<sub>2</sub>, adds to the turn-on time of the device.

The LMV226/LMV228 do not use a resistor R<sub>1</sub> like the LMV225. Though a resistor is seen on the coupler side (R<sub>COUPLER</sub>). Therefore a similar equation holds for the LMV226/LMV228 LF corner frequency, where R<sub>1</sub> is replaced with the coupler output impedance (R<sub>COUPLER</sub>).

With R<sub>COUPLER</sub> = 50Ω and C = 100 pF, the resulting corner frequency is 50 MHz.

The output voltage is proportional to the logarithm of the input power, often called "linear-in-dB". Figure 3 shows the typical output voltage versus PA output power of the LMV225 setup as depicted in Figure 1.

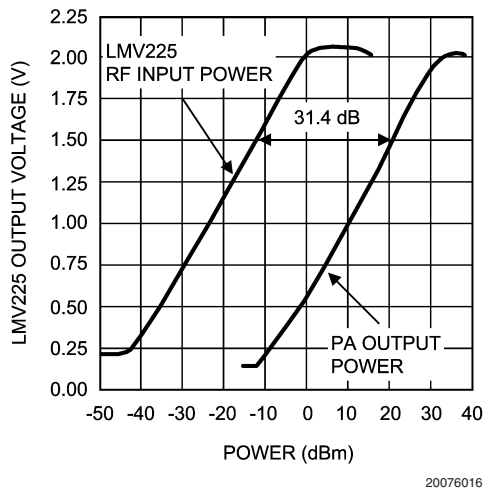


FIGURE 3. Typical power detector response, V<sub>OUT</sub> vs. PA output Power

### OUTPUT RIPPLE DUE TO AM MODULATION

A CDMA modulated carrier wave generally contains some amplitude modulation that might disturb the RF power measurement used for controlling the PA. This section explains the relation between amplitude modulation in the RF signal and the ripple on the output of the LMV225/LMV228. Expressions are provided to estimate this ripple on the output. The ripple can be further reduced by lowpass filtering at the output. This is realized by connecting an capacitor from the output of the LMV225/LMV228 to ground.

#### Estimating Output Ripple

The CDMA modulated RF input signal of Figure 3 can be described as:

$$V_{IN}(t) = V_{IN} [1 + \mu(t)] \cos(2 \cdot \pi \cdot f \cdot t) \quad (4)$$

In which V<sub>IN</sub> is the amplitude of the carrier frequency and the amplitude modulation μ(t) can be between -1 and 1.

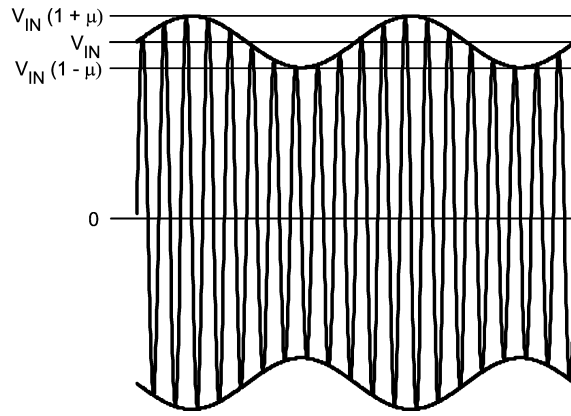


FIGURE 4. AM Modulated RF Signal

The ripple observed at the output of the detector equals the detectors response to the power variation at the input due to AM modulation (Figure 4). This signal has a maximum amplitude V<sub>IN</sub> • (1+μ) and a minimum amplitude V<sub>IN</sub> • (1-μ), where 1+μ can be maximum 2 and 1-μ can be minimum 0. The amplitude of the ripple can be described with the formula:

$$V_{RIPPLE} = V_Y \left[ 10 \text{ LOG} \left[ \frac{V_{IN}^2 (1 + \mu)^2}{2R_{IN}} \right] + 30 \right] - V_Y \left[ 10 \text{ LOG} \left[ \frac{V_{IN}^2 (1 - \mu)^2}{2R_{IN}} \right] + 30 \right] \quad (5)$$

P<sub>INMAX</sub> IN dBm                      P<sub>INMIN</sub> IN dBm

where V<sub>Y</sub> is the slope of the detection curve (Figure 5) and μ is the modulation index. Equation (5) can be reduced to:

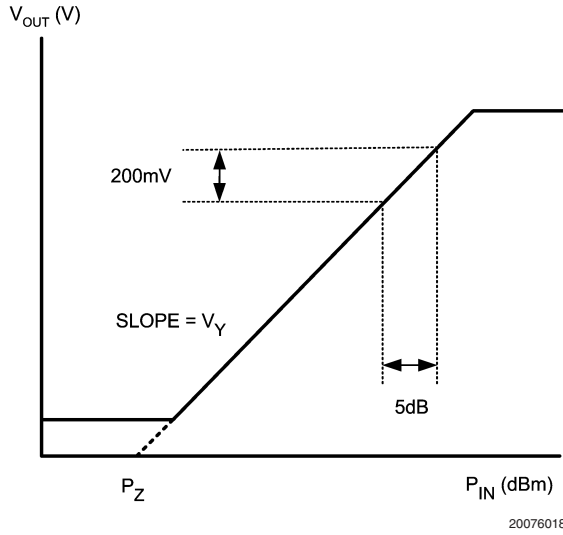
$$V_{RIPPLE} = V_Y \cdot 20 \text{ LOG} \left[ \frac{1 + \mu}{1 - \mu} \right] \quad (6)$$

Consequently, the ripple is independent of the average input power of the RF input signal and only depends on the logarithmic slope V<sub>Y</sub> and the ratio of the maximum and the minimum input signal amplitude.

For CDMA, the ratio of the maximum and the minimum input signal amplitude modulation is typically in the order of 5 to 6 dB, which is equivalent to a modulation index μ of 0.28 to 0.33.

A further understanding of the equation above can be achieved via the knowledge that the output voltage V<sub>OUT</sub> of the LMV225/LMV228 is linear in dB, or proportional to the input power P<sub>IN</sub> in dBm. As discussed earlier, CDMA has a modulation in the order of 5 to 6 dB. Since the transfer is linear in dB, the output voltage V<sub>OUT</sub> will vary linearly over about 5 to 6 dB in the curve (Figure 5).

## Application Notes (Continued)



**FIGURE 5.  $V_{OUT}$  vs. RF Input Power  $P_{IN}$**

The output voltage variation  $\Delta V_{OUT}$  is thus identical for RF input signals that fall within the linear range (in dB) of the detector. In other words, the output variation is independent of the absolute RF input signal:

$$\Delta V_O = V_Y \cdot \Delta P_{IN} \quad (7)$$

In which  $V_Y$  is the slope of the curve. The log-conformance error is usually much smaller than the ripple due to AM modulation. In case of the LMV225/LMV228,  $V_Y = 40$  mV/dB. With  $\Delta P_{IN} = 5$  dB for CDMA,  $\Delta V_{OUT} = 200$  mV<sub>PP</sub>. This is valid for all  $V_{OUT}$ .

### Output Ripple with Additional Filtering

The calculated result above is for an unfiltered configuration. When a low pass filter is used by shunting a capacitor of e.g.  $C_{OUT} = 1.5$  nF at the output of the LMV225/LMV228 to ground, this ripple is further attenuated. The cut-off frequency follows from:

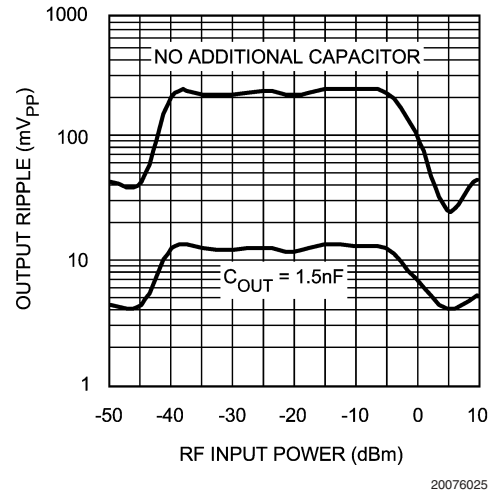
$$f_C = \frac{1}{2\pi C_{OUT} R_O} \quad (8)$$

With the output resistance of the LMV225/LMV228  $R_O = 19.8$  k $\Omega$  typical and  $C_{OUT} = 1.5$  nF, the cut-off frequency equals  $f_C = 5.36$  kHz. A 100 kHz AM signal then gets attenuated by  $5.36/100$  or 25.4 dB. The remaining ripple will be less than 20 mV. With a slope of 40 mV/dB this translates into an error of less than  $\pm 0.5$  dB. Since the LMV226 has a low output impedance buffer, a capacitor to reduce the ripple will not be effective.

### Output Ripple Measurement

Figure 6 shows the ripple reduction that can be achieved by adding additional capacitance at the output of the LMV225/LMV228. The RF signal of 900 MHz is AM modulated with a 100 kHz sinewave and a modulation index of 0.3. The RF input power is swept while the modulation index remains unchanged. Without the output capacitor the ripple is about 200 mV<sub>PP</sub>. Connecting a capacitor of 1.5 nF at the output to ground, results in a ripple of 12 mV<sub>PP</sub>. The attenuation with

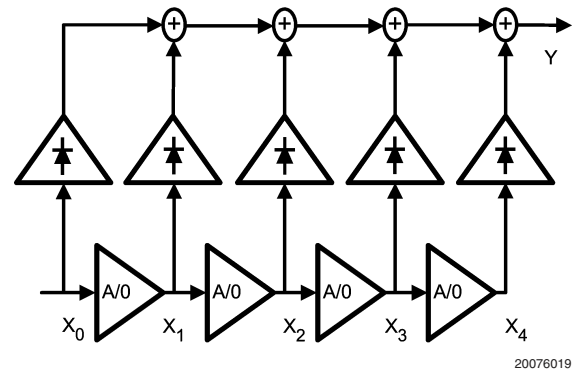
a 1.5 nF capacitor is then  $20 \cdot \log(200/12) = 24.4$  dB. This is very close to the calculated number of the previous paragraph.



**FIGURE 6. Output Ripple vs. RF Input Power**

### PRINCIPLE OF OPERATION

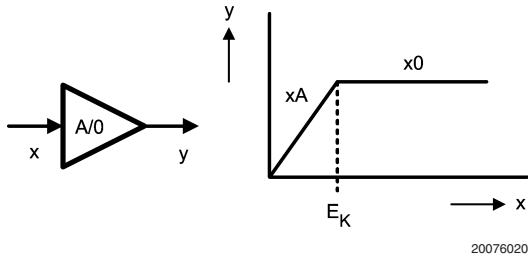
The logarithmic response of the LMV225/LMV226/LMV228 is implemented by a logarithmic amplifier as shown in Figure 7. The logarithmic amplifier consists of a number of cascaded linear gain cells. With these gain cells, a piecewise approximation of the logarithmic function is constructed.



**FIGURE 7. Logarithmic Amplifier**

Every gain cell has a response according to Figure 8. At a certain threshold ( $E_K$ ), the gain cell starts to saturate, which means that the gain drops to zero. The output of gain cell 1 is connected to the input of gain cell 2 and so on.

**Application Notes** (Continued)



**FIGURE 8. Gain Cell**

All gain cell outputs are AM-demodulated with a peak detector and summed together. This results in a logarithmic function. The logarithmic range is about:

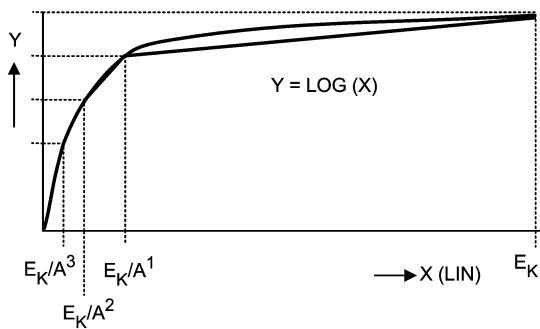
$$20 \cdot n \cdot \log(A)$$

where,

$n$  = number of gain cells

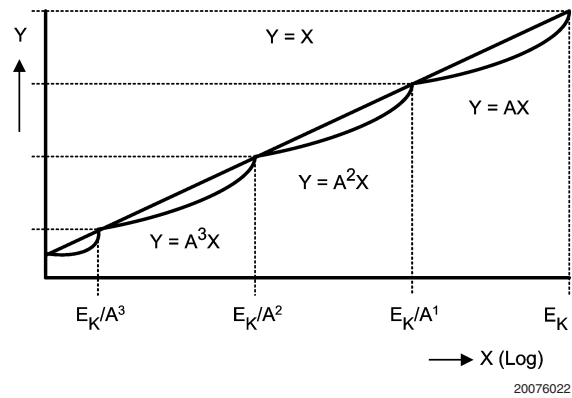
$A$  = gain per gaincell

Figure 9 shows a logarithmic function on a linear scale and the piecewise approximation of the logarithmic function.



**FIGURE 9. Log-Function on Lin Scale**

Figure 10 shows a logarithmic function on a logarithmic scale and the piecewise approximation of the logarithmic function.



**FIGURE 10. Log-Function on Log Scale**

The maximum error for this approximation occurs at the geometric mean of a gain section, which is e.g. for the third segment:

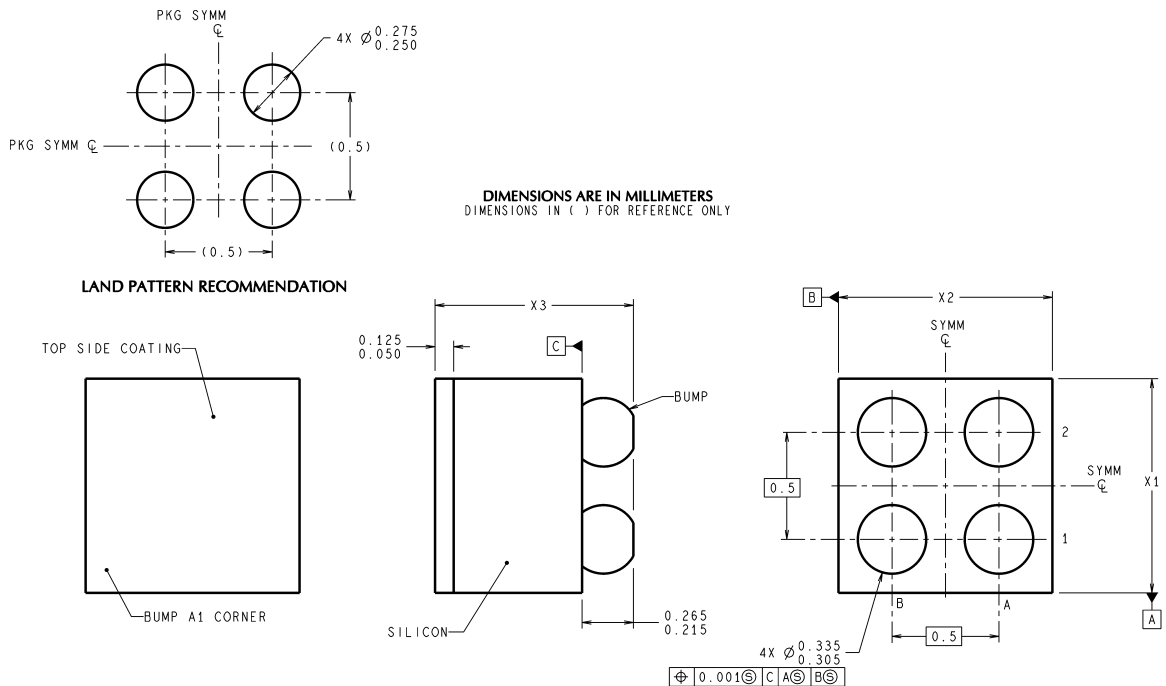
$$\sqrt{\frac{E_K}{A^2} \cdot \frac{E_K}{A^1}} = \frac{E_K}{A\sqrt{A}} \tag{9}$$

The size of the error increases with distance between the thresholds.

**LAYOUT CONSIDERATIONS**

For a proper functioning part a good board layout is necessary. Special care should be taken for the series resistance  $R_1$  (Figure 1) that determines the attenuation. For high resistor values the parasitic capacitance of the resistor may significantly impact the realized attenuation. The effective attenuation will be lower than intended. To reduce the parasitic capacitance across resistor  $R_1$ , this resistor can be composed of several components in series instead of using a single component.

## Physical Dimensions inches (millimeters) unless otherwise noted



TLA04XXX (Rev C)

NOTES: UNLESS OTHERWISE SPECIFIED

1. EPOXY COATING
  2. Sn/37Pb EUTECTIC BUMP
  3. RECOMMEND NON-SOLDER MASK DEFINED LANDING PAD.
  4. PIN A1 IS ESTABLISHED BY LOWER LEFT CORNER WITH RESPECT TO TEXT ORIENTATION. REMAINING PINS ARE NUMBERED COUNTER CLOCKWISE.
  5. XXX IN DRAWING NUMBER REPRESENTS PACKAGE SIZE VARIATION WHERE X1 IS PACKAGE WIDTH, X2 IS PACKAGE LENGTH AND X3 IS PACKAGE HEIGHT.
- REFERENCE JEDEC REGISTRATION MO-211, VARIATION BC.

### 4-Bump micro SMD NS Package Number TLA04AAA

**X1 = 1.014 ±0.030 mm X2 = 1.014 ±0.030 mm X3 = 0.600 ±0.075 mm**

### LIFE SUPPORT POLICY

NATIONAL'S PRODUCTS ARE NOT AUTHORIZED FOR USE AS CRITICAL COMPONENTS IN LIFE SUPPORT DEVICES OR SYSTEMS WITHOUT THE EXPRESS WRITTEN APPROVAL OF THE PRESIDENT AND GENERAL COUNSEL OF NATIONAL SEMICONDUCTOR CORPORATION. As used herein:

1. Life support devices or systems are devices or systems which, (a) are intended for surgical implant into the body, or (b) support or sustain life, and whose failure to perform when properly used in accordance with instructions for use provided in the labeling, can be reasonably expected to result in a significant injury to the user.
2. A critical component is any component of a life support device or system whose failure to perform can be reasonably expected to cause the failure of the life support device or system, or to affect its safety or effectiveness.

### BANNED SUBSTANCE COMPLIANCE

National Semiconductor certifies that the products and packing materials meet the provisions of the Customer Products Stewardship Specification (CSP-9-111C2) and the Banned Substances and Materials of Interest Specification (CSP-9-111S2) and contain no "Banned Substances" as defined in CSP-9-111S2.



**National Semiconductor**  
Americas Customer  
Support Center  
Email: [new.feedback@nsc.com](mailto:new.feedback@nsc.com)  
Tel: 1-800-272-9959

**National Semiconductor**  
Europe Customer Support Center  
Fax: +49 (0) 180-530 85 86  
Email: [europa.support@nsc.com](mailto:europa.support@nsc.com)  
Deutsch Tel: +49 (0) 69 9508 6208  
English Tel: +44 (0) 870 24 0 2171  
Français Tel: +33 (0) 1 41 91 8790

**National Semiconductor**  
Asia Pacific Customer  
Support Center  
Email: [ap.support@nsc.com](mailto:ap.support@nsc.com)

**National Semiconductor**  
Japan Customer Support Center  
Fax: 81-3-5639-7507  
Email: [jpn.feedback@nsc.com](mailto:jpn.feedback@nsc.com)  
Tel: 81-3-5639-7560

[www.national.com](http://www.national.com)

National does not assume any responsibility for use of any circuitry described, no circuit patent licenses are implied and National reserves the right at any time without notice to change said circuitry and specifications.