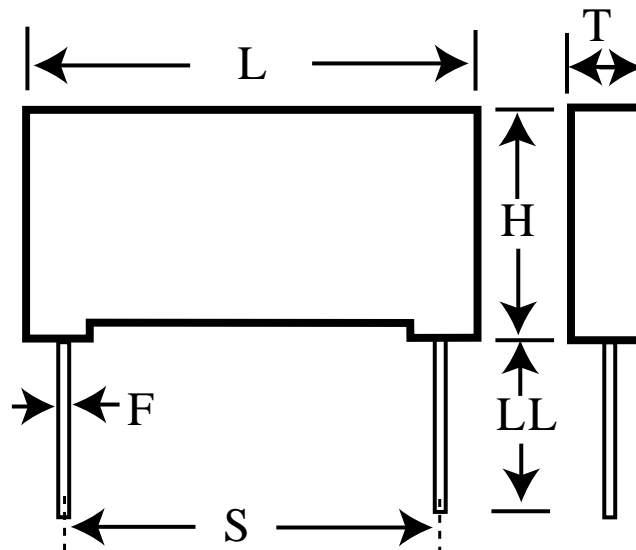


SMR10472K400A01L4BULK

aka F211AG472K400C

Capacitor, film, 4700 pF, +/-10% Tol, -55/+150C, DC General Purpose, 400V@125C, Lead Spacing=10 mm



Dimensions (mm)

ID	Dimension	Tolerance
L	13	max
H	9	max
T	4	max
S	10	+/-0.4
LL	5	nom
F	0.6	nom

Specifications

Manufacturer:	KEMET
Brand:	Evox
Capacitance:	4700 pF
Temperature Range:	-55/+150C
Rated Temperature:	125C
Voltage @ rated temp:	400V
Voltage AC:	200VAC
Tolerance:	+/-10%
Body Type:	Radial Box
Construction:	Non-inductive
Application:	DC General Purpose
Dielectric:	Metallized Polyphenylene Sulphide
Dissipation Factor @ 1 kHz:	0.15%
Dissipation Factor @ 10 kHz:	0.25%
Dissipation Factor @ 100kHz:	0.6%
Insulation Resistance:	30 GOhm
Maximum dVdT:	25v/us
Miscellaneous Electrical:	SMR
Package Kind:	Bulk
Package Quantity:	1000