

**SANYO****LB1895, 1895D****3-Phase Brushless Motor Driver for  
CD-ROM Spindle Motors****Overview**

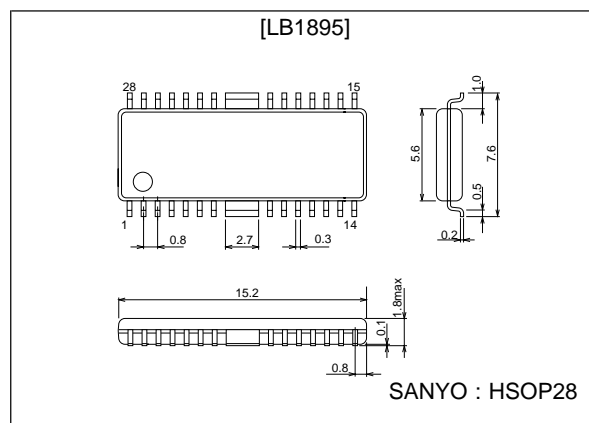
The LB1895 and LB1895D are 3-phase brushless motor drivers for use in CD-ROM spindle motors.

**Functions and Features**

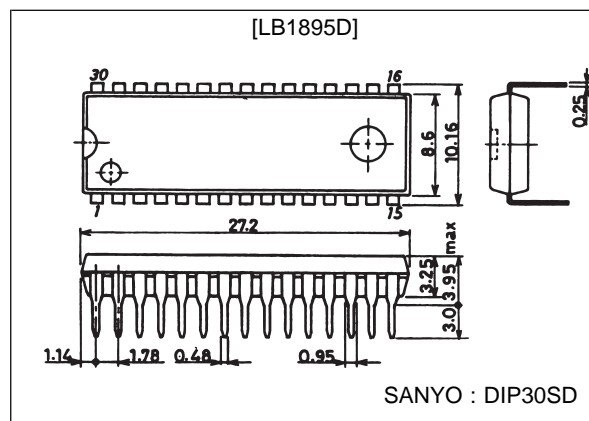
- Current linear drive
- V-type control amplifier built in
- Because the power supply for the bias circuit on the upper output side is separate, output with low saturation can be attained by boosting only that power supply. (Effective when  $V_{CC} = 5\text{ V}$ )
- Because current is detected on the upper side, there is no voltage loss due to the RF resistance. In addition, the RF voltage reduces the power dissipation within the IC. (Effective when  $V_{CC} = 5\text{ V}$ )
- Start/Stop function built in
- Thermal shutdown circuit built in
- Overcurrent protection circuit built in
- Two-channel Hall signal comparator built in. (For detecting rotation direction and Hall FG output)
- Hall device bias built in

**Package Dimensions**

unit : mm

**3222-HSOP28**

unit : mm

**3196-DIP30SD**

## Specifications

### Maximum Ratings at $T_a = 25\text{ }^\circ\text{C}$

Parameter	Symbol	Conditions	Ratings	Unit
Maximum supply voltage 1	$V_{CC1}$ max		7	V
Maximum supply voltage 2	$V_{CC2}$ max		14.4	V
Maximum supply voltage 3	$V_{CC3}$ max		14.4	V
Applied output voltage	$V_O$ max		14.4	V
Applied input voltage	$V_I$ max		$V_{CC1}$	V
Output current	$I_O$ max		1.0	A
Allowable power dissipation	$P_d$ max	Indepent IC [LB1895]	0.5	W
		Glass epoxy board (114.3 × 762 × 1.5 mm) [LB1895D]	2.4	W
Operating temperature	$T_{opr}$		-20 to +75	$^\circ\text{C}$
Storage temperature	$T_{stg}$		-55 to +150	$^\circ\text{C}$

### Operating Conditions at $T_a = 25\text{ }^\circ\text{C}$

Parameter	Symbol	Conditions	Ratings	Unit
Supply voltage	$V_{CC1}$		4 to 6	V
	$V_{CC2}$	$\cong V_{CC1}$	4 to 13.6	V
	$V_{CC3}$		2 to 13.6	V

### Application Examples at $T_a = 25\text{ }^\circ\text{C}$

(1) 12 V model

Power supply pins	Conditions	Ratings	Unit
$V_{CC1}$	REG. voltage	4 to 6	V
$V_{CC2} = V_{CC3}$	UN-REG. voltage	4 to 13.6	V

(2) 5 V model

Power supply pins	Conditions	Ratings	Unit
$V_{CC1} = V_{CC3}$	REG. voltage	4 to 6	V
$V_{CC2}$	Boost voltage or REG. voltage (Note)	4 to 13.6	V

Note: If  $V_{CC2}$  is used as the boost voltage, output with low saturation can be used.

## LB1895, 1895D

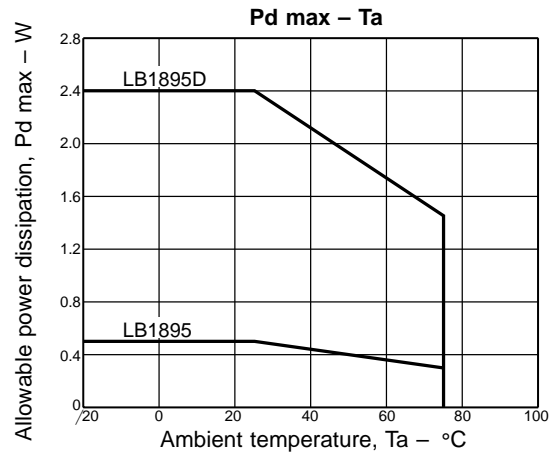
### Electrical Characteristics at $T_a = 25\text{ }^\circ\text{C}$ , $V_{CC1} = 5\text{ V}$ , $V_{CC2} = V_{CC3} = 12\text{ V}$ (Unless otherwise specified)

Parameter	Symbol	Conditions	min	typ	max	Unit
[Supply current]						
Supply current 1	$I_{CC1}$	$V_C = V_{CREF}$		4	7	mA
Supply current 2	$I_{CC2}$	$V_C = V_{CREF}$		0	0.5	mA
Supply current 3	$I_{CC3}$	$V_C = V_{CREF}$		150	250	$\mu\text{A}$
Output quiescent current 1	$I_{CC1OQ}$	$V_{S/S} = 0\text{ V}$			200	$\mu\text{A}$
Output quiescent current 2	$I_{CC2OQ}$	$V_{S/S} = 0\text{ V}$			30	$\mu\text{A}$
Output quiescent current 3	$I_{CC3OQ}$	$V_{S/S} = 0\text{ V}$			30	$\mu\text{A}$
[Output]						
Upper saturation voltage 1	$V_{OU1}$	$I_O = -0.5\text{ A}$ , $V_{CC1} = 5\text{ V}$ , $V_{CC2} = V_{CC3} = 12\text{ V}$		0.8	1.3	V
Lower saturation voltage 1	$V_{OD1}$	$I_O = 0.5\text{ A}$ , $V_{CC1} = 5\text{ V}$ , $V_{CC2} = V_{CC3} = 12\text{ V}$		0.3	0.5	V
Upper saturation voltage 2	$V_{OU2}$	$I_O = -0.5\text{ A}$ , $V_{CC1} = V_{CC3} = 5\text{ V}$ , $V_{CC2} = 12\text{ V}$		0.3	0.5	V
Lower saturation voltage 2	$V_{OD2}$	$I_O = 0.5\text{ A}$ , $V_{CC1} = V_{CC3} = 5\text{ V}$ , $V_{CC2} = 12\text{ V}$		0.3	0.5	V
Current limiter setting voltage	$V_{CL}$	$RRF = 0.43\ \Omega$	0.25	0.32	0.4	V
[Hall Amplifier]						
Hall amplifier common-mode input voltage range	$V_{HCOM}$		1.2		$V_{CC1} - 1.0$	V
Hall amplifier input bias current	$I_{HIB}$			1	2	$\mu\text{A}$
Minimum Hall input level	$V_{HIN}$		60			mVp-p
[S/S pin]						
High-level voltage	$V_{S/SH}$		2.0		$V_{CC1}$	V
Low-level voltage	$V_{S/SL}$				0.7	V
Input current	$I_{S/SI}$	$V_{S/S} = 5\text{ V}$			200	$\mu\text{A}$
LEAK current	$I_{S/SL}$	$V_{S/S} = 0\text{ V}$	-30			$\mu\text{A}$
[Control stage]						
VC pin input current	$I_{VC}$	$V_C = V_{CREF} = 2.5\text{ V}$		1	3	$\mu\text{A}$
$V_{CREF}$ pin input current	$I_{VCREF}$	$V_C = V_{CREF} = 2.5\text{ V}$		1	3	$\mu\text{A}$
Voltage gain	$V_{GCO}$	$\Delta V_{RF}/\Delta V_C$	0.2	0.25	0.3	Times
Rising threshold voltage	$V_{CTH}$	$V_{CREF} = 2.5\text{ V}$	2.35		2.65	V
Rising threshold voltage width	$\Delta V_{CTH}$	$V_{CREF} = 2.5\text{ V}$	50		150	mV
[Hall supply]						
Hall supply voltage	$V_H$	$I_H = 5\text{ mA}$		1.0	1.6	V
Allowable current	$I_H$		20			mA
[Thermal shutdown]						
Operating temperature	$T_{TSD}$	*D	150	180	210	$^\circ\text{C}$
Hysteresis	$\Delta T_{TSD}$	*D		15		$^\circ\text{C}$
[Hall comparator]						
Input offset voltage	$V_{HCIoffset}$				10	mV
Input hysteresis	$V_{HCIhys}$		3	8	15	mV
Output ON voltage	$V_{OU}$				0.3	V
Output OFF voltage	$V_{OD}$	Note	4.7			V
Output current (sink)	$I_{SINK}$		3			mA

Note: When in S/S OFF (standby) state, the Hall comparator goes high.

\*D stands for design target; this value is not measured.

## LB1895, 1895D



### Truth Table

	Source → sink	Input			Control VC
		U	V	W	
1	W phase → V phase	H	H	L	H
	V phase → W phase				L
2	W phase → U phase	H	L	L	H
	U phase → W phase				L
3	V phase → W phase	L	L	H	H
	W phase → V phase				L
4	U phase → V phase	L	H	L	H
	V phase → U phase				L
5	V phase → U phase	H	L	H	H
	U phase → V phase				L
6	U phase → W phase	L	H	H	H
	W phase → U phase				L

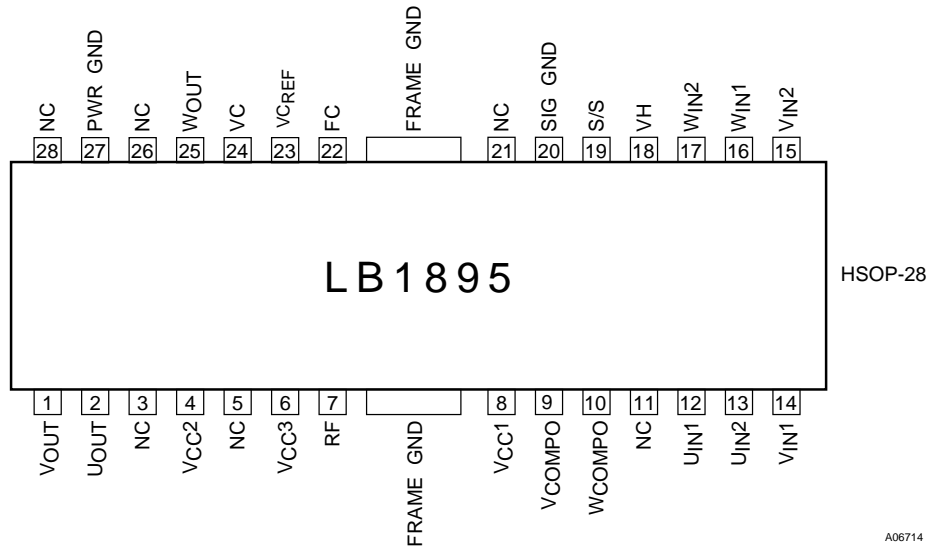
#### Inputs

H: For each phase input 2, phase input 1 is at a higher electric potential of 0.2 V or more.

L: For each phase input 2, phase input 1 is at a lower electric potential of 0.2 V or more.

# LB1895, 1895D

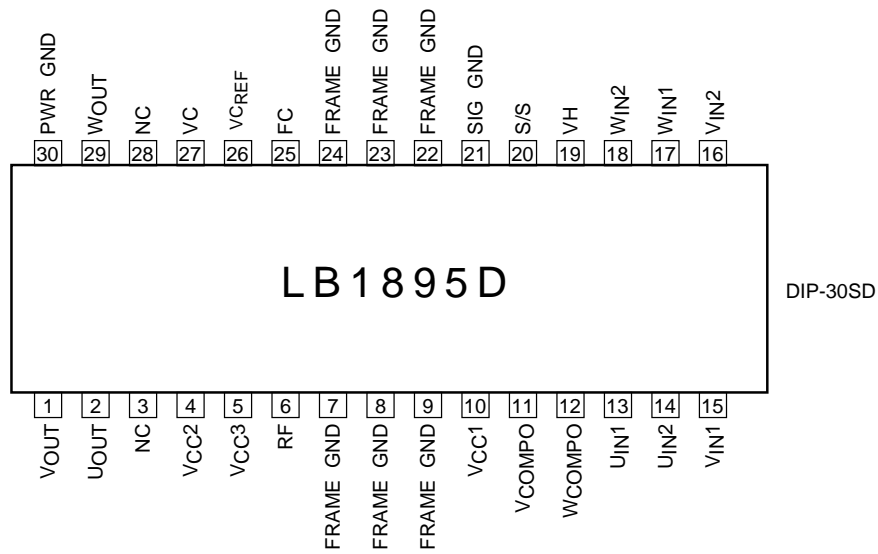
## LB1895 Pin Assignment



HSOP-28

A06714

Top view



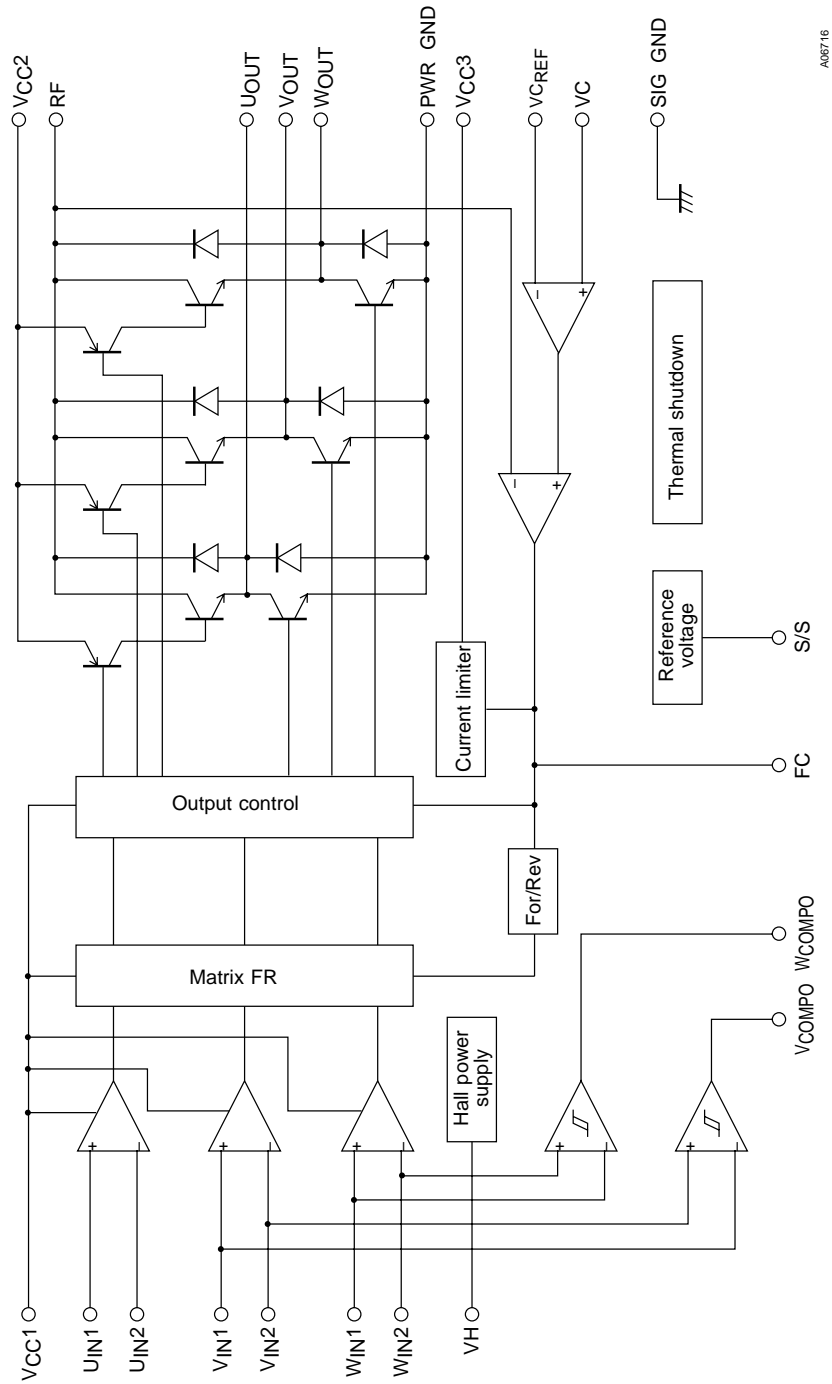
DIP-30SD

A06715

Top view

# LB1895, 1895D

## LB1895 Block Diagram



# LB1895, 1895D

## Pin Descriptions

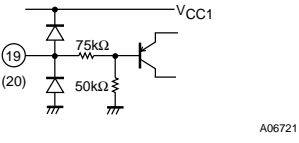
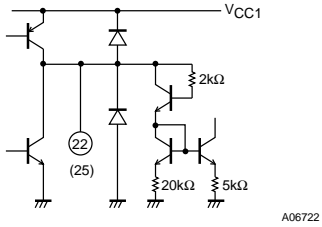
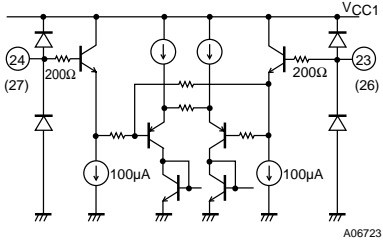
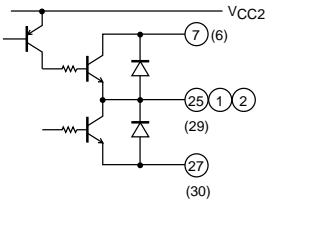
Note: Numbers within ( ) are for LB1895D

Pin No.	Symbol	Voltage	Equivalent circuit	Description	
4	V <sub>CC2</sub>	4 V to 13.6 V		Supply pin that provides pre-drive voltage for the source side.	
6 (5)	V <sub>CC3</sub>	2 V to 13.6 V		Supply pin that provides voltage for the constant current control amplifier.	
8 (10)	V <sub>CC1</sub>	4 V to 6 V		Supply pin that provides voltage for all circuits except the output transistor, source-side pre-drive, and constant current control amplifier.	
9 (11)	V <sub>COMPO</sub>			V-phase Hall element waveform Schmitt comparator output pin.	
10 (12)	W <sub>COMPO</sub>			W-phase Hall element waveform Schmitt comparator output pin.	
12 (13)	U <sub>IN1</sub>	1.2 V to V <sub>CC1</sub> - 1 V		U-phase Hall element input pin. Logic HIGH is represented by U <sub>IN1</sub> > U <sub>IN2</sub> .	
13 (14)	U <sub>IN2</sub>				
14 (15)	V <sub>IN1</sub>	1.2 V to V <sub>CC1</sub> - 1 V		V-phase Hall element input pin, and V-phase Schmitt comparator input pin for reverse detection. Logic HIGH is represented by V <sub>IN1</sub> > V <sub>IN2</sub> .	
15 (16)	V <sub>IN2</sub>				
16 (17)	W <sub>IN1</sub>				W-phase Hall element input pin, and W-phase Schmitt comparator input pin for reverse detection. Logic HIGH is represented by W <sub>IN1</sub> > W <sub>IN2</sub> .
17 (18)	W <sub>IN2</sub>				
18 (19)	VH			This pin provides the lower bias voltage for the Hall element.	

Continued on next page.

## LB1895, 1895D

Continued from preceding page.

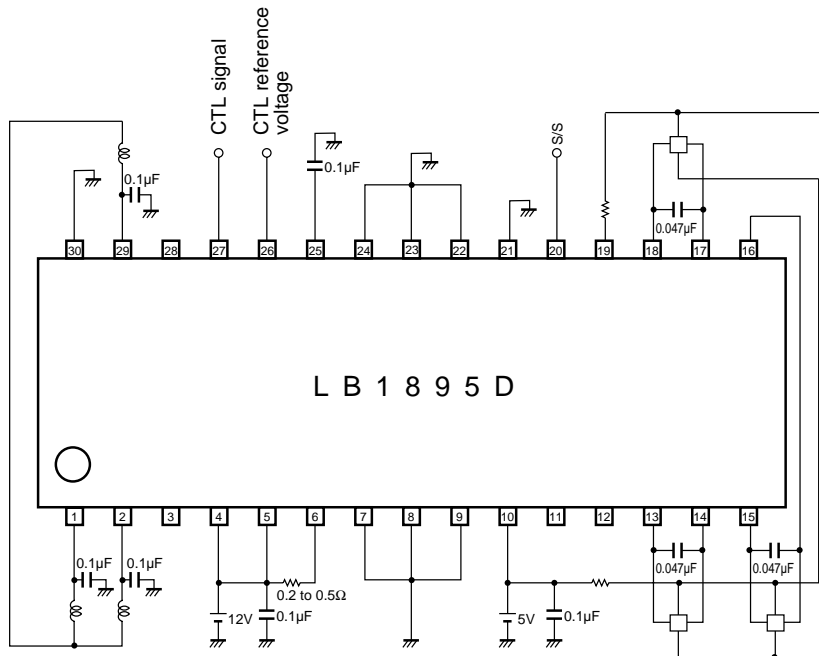
Pin No.	Symbol	Voltage	Equivalent circuit	Description
19 (20)	S/S	0 V to $V_{CC1}$	 <p style="text-align: right;">A06721</p>	<p>None of the circuits operate if the voltage on this pin is 0.7 V or less, or if this pin is open.</p> <p>When driving the motor, the voltage on this pin must be 2 V or more.</p>
20 (21)	SIG GND			Ground connection for all circuits except the outputs.
22 (25)	FC		 <p style="text-align: right;">A06722</p>	Control loop frequency characteristics compensation pin. Connect a capacitor between this pin and GND to stop closed loop oscillation in the current control system.
23 (26)	$V_{CREF}$	2 V to 3 V	 <p style="text-align: right;">A06723</p>	Control reference voltage application pin. This voltage determines the control start voltage.
24 (27)	VC	0 V to $V_{CC1}$		Speed control voltage application pin. V-type control, where: $VC > V_{CREF}$ = forward and $VC < V_{CREF}$ = reverse
25 (29)	$W_{OUT}$		 <p style="text-align: right;">A06724</p>	W-phase output pin.
27 (30)	PWR GND			Output transistor ground.
1	$V_{OUT}$			V-phase output pin.
2	$U_{OUT}$			U-phase output pin.
7 (6)	RF			Upper output NPN transistor collector pin (three-phase common). Connect a resistor between $V_{CC3}$ and the RF pin for current detection. When this voltage is detected, the constant current control and current limiter circuits function.





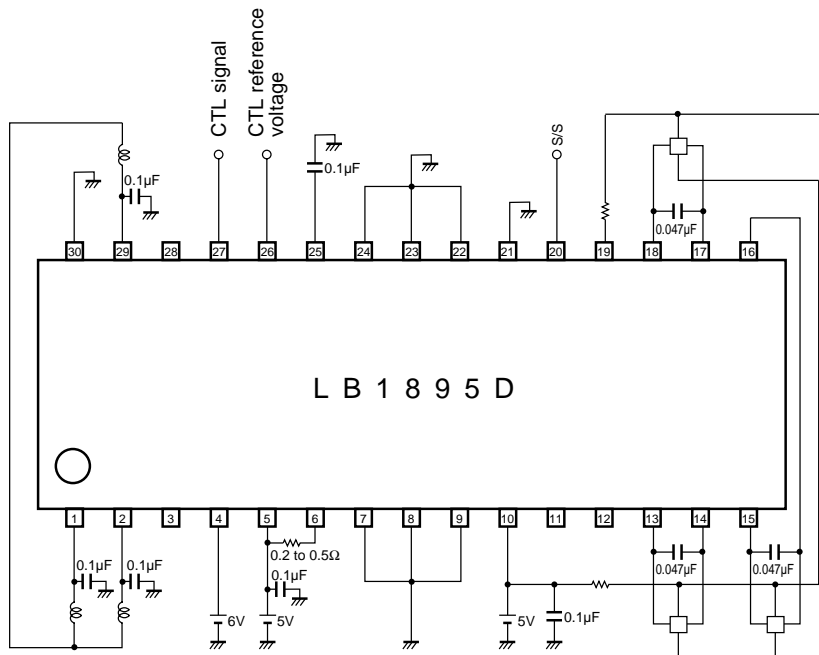
# LB1895, 1895D

## LB1895D Sample Application Circuit (1)



A06727

## LB1895D Sample Application Circuit (2)



A06728

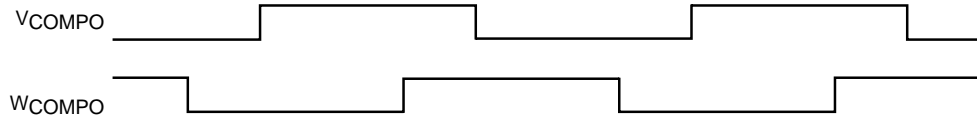
Between power supply and GND, Output and GND, and between Hall inputs:

The capacitors may change, depending on the motor.

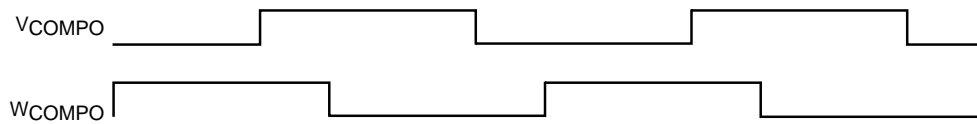
The capacitor between the Hall inputs in particular may not be required with some motors.

**LB1895,1895D — Example of using a comparator to detect the direction of rotation**

When  $V_C \geq V_{CREF}$



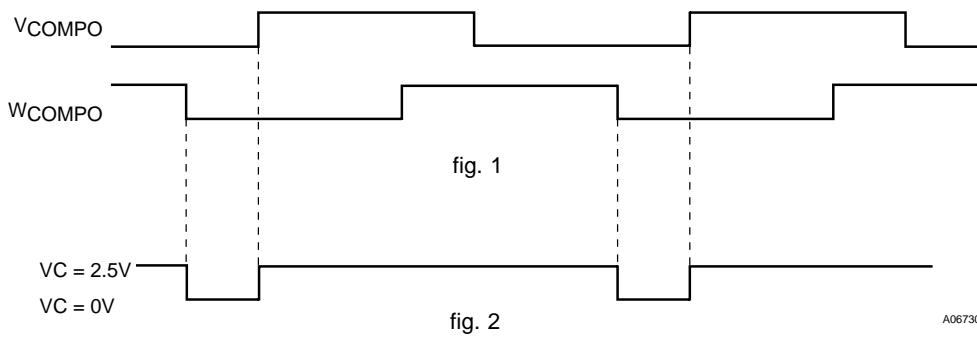
When  $V_C \leq V_{CREF}$



A06729

When the phasing is as shown above, the direction of rotation is determined to be “forward” if  $W_{COMPO}$  is low at the rising edge of  $V_{COMPO}$ , and “reverse” if  $W_{COMPO}$  is high at the rising edge of  $V_{COMPO}$ .

- 1) Reverse full braking method  
Braking is applied with  $V_C = L$  until reverse rotation is detected. The moment that reverse rotation is detected, the driving power is turned off or a short pulse is input.
- 2) Intermittent braking method



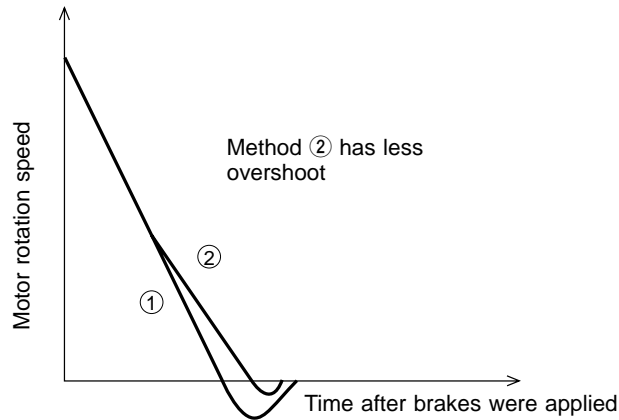
A06730

If braking is applied according to the value obtained by OR logic in  $V_{COMPO}$  and  $W_{COMPO}$  together, for example, reverse braking is applied according to the following timing.

As a result, when the rotation speed is fast, braking is applied many times; at slower speeds, braking is applied fewer times. Furthermore, if the  $V_{COMPO}$  and  $W_{COMPO}$  logic combination is changed, the duty of  $V_C = 0V - 2.5V$  also changes.

## LB1895, 1895D

The following graph illustrates the change in the rotation speed after braking is applied under methods 1 and 2 described above.



A06731

- No products described or contained herein are intended for use in surgical implants, life-support systems, aerospace equipment, nuclear power control systems, vehicles, disaster/crime-prevention equipment and the like, the failure of which may directly or indirectly cause injury, death or property loss.
- Anyone purchasing any products described or contained herein for an above-mentioned use shall:
  - ① Accept full responsibility and indemnify and defend SANYO ELECTRIC CO., LTD., its affiliates, subsidiaries and distributors and all their officers and employees, jointly and severally, against any and all claims and litigation and all damages, cost and expenses associated with such use:
  - ② Not impose any responsibility for any fault or negligence which may be cited in any such claim or litigation on SANYO ELECTRIC CO., LTD., its affiliates, subsidiaries and distributors or any of their officers and employees jointly or severally.
- Information (including circuit diagrams and circuit parameters) herein is for example only; it is not guaranteed for volume production. SANYO believes information herein is accurate and reliable, but no guarantees are made or implied regarding its use or any infringements of intellectual property rights or other rights of third parties.

This catalog provides information as of April, 1997. Specifications and information herein are subject to change without notice.