



SANYO Semiconductors

DATA SHEET

LV8829LF

Bi-CMOS IC
For Brushless Motor Drive
PWM Driver IC

Overview

The LV8829LF is a PWM-type driver IC designed for 3-phase brushless motors. It enables the rotational speed to be controlled by inputting an external PWM pulse signal and varying the duty factor. The IC incorporates a latch-type constraint protection circuit.

Features

- I_O max = 1.5A (built-in output Tr)
- Speed control and synchronous rectification using direct PWM input (supports 3.3V inputs)
- 1-Hall FG output
- Latch type constraint protection circuit (the latch is released by S/S and F/R.)
- Forward/reverse switching circuit, Hall bias pin
- Power save circuit (Power save in stop mode)
- Current limiter circuit, Low-voltage protection circuit, Overheat protection circuit
- Charge pump circuit, 5V regulator output.
- Start/stop circuit (short brake when motor is to be stopped)

■ Any and all SANYO Semiconductor Co.,Ltd. products described or contained herein are, with regard to "standard application", intended for the use as general electronics equipment (home appliances, AV equipment, communication device, office equipment, industrial equipment etc.). The products mentioned herein shall not be intended for use for any "special application" (medical equipment whose purpose is to sustain life, aerospace instrument, nuclear control device, burning appliances, transportation machine, traffic signal system, safety equipment etc.) that shall require extremely high level of reliability and can directly threaten human lives in case of failure or malfunction of the product or may cause harm to human bodies, nor shall they grant any guarantee thereof. If you should intend to use our products for applications outside the standard applications of our customer who is considering such use and/or outside the scope of our intended standard applications, please consult with us prior to the intended use. If there is no consultation or inquiry before the intended use, our customer shall be solely responsible for the use.

■ Specifications of any and all SANYO Semiconductor Co.,Ltd. products described or contained herein stipulate the performance, characteristics, and functions of the described products in the independent state, and are not guarantees of the performance, characteristics, and functions of the described products as mounted in the customer's products or equipment. To verify symptoms and states that cannot be evaluated in an independent device, the customer should always evaluate and test devices mounted in the customer's products or equipment.

SANYO Semiconductor Co., Ltd.

<http://semicon.sanyo.com/en/network>

Specifications

Absolute Maximum Ratings at Ta = 25°C

Parameter	Symbol	Conditions	Ratings	Unit
Supply voltage	V _{CC} max	V _{CC} pin	36	V
	V _G max	V _G pin	42	V
Output current	I _O max	t ≤ 500ms *1	1.5	A
Allowable power dissipation	Pd max1	Independent IC	0.2	W
	Pd max2	Mounted on a circuit board.*2	1.35	W
Junction temperature	Tj max		150	°C
Operating temperature	Topr		-40 to +80	°C
Storage temperature	Tstg		-55 to +150	°C

*1 : Tj cannot exceed Tj max = 150°C

*2 : Specified circuit board : 40mm × 50mm × 0.8mm, glass epoxy (four-layer board)

Allowable Operating range at Ta = 25°C

Parameter	Symbol	Conditions	Ratings	Unit
Supply voltage range	V _{CC}		8.0 to 35	V
5V constant voltage output current	I _{REG}		0 to -10	mA
HB pin output current	I _{HB}		0 to -200	μA
FG pin applied voltage	V _{FG}		0 to 6	V
FG pin output current	I _{FG}		0 to 10	mA

Electrical Characteristics at Ta = 25°C, V_{CC} = 24V

Parameter	Symbol	Conditions	Ratings			Unit
			min	typ	max	
Supply current 1	I _{CC1}			3.3	4.0	mA
Supply current 2	I _{CC2}	At stop		0.7	0.8	mA
Output block						
Low-side output ON resistance	R _{ON} (L1)	I _O = 1.0A		0.47	0.65	Ω
High-side output ON resistance	R _{ON} (H1)	I _O = -1.0A		0.67	0.9	Ω
Low-side output leak current	I _L (L)				50	μA
High-side output leak current	I _L (H)		-50			μA
Low-side diode forward voltage	V _D (L1)	I _D = -1.0A		1.0	1.2	V
High-side diode forward voltage	V _D (H1)	I _D = 1.0A		1.1	1.3	V
5V Constant-voltage Output						
Output voltage	V _{REG}	I _O = -5mA	4.8	5.1	5.4	V
Line regulation	ΔV (REG1)	V _{CC} = 8 to 35V, I _O = -5mA			50	mV
Load regulation	ΔV (REG2)	I _O = -5m to -10mA			100	mV
Hall Amplifier						
Input bias current	I _B (HA)		-2			μA
Common-mode input voltage range 1	V _{ICM1}	When using Hall elements	0.3		V _{REG} -1.7	V
Common-mode input voltage range 2	V _{ICM2}	At one-side input bias (Hall IC application)	0		V _{REG}	V
Hall input sensitivity	V _{HIN}	SIN wave	80			mVp-p
Hysteresis width	ΔV _{IN} (HA)		9	20	35	mV
Input voltage Low → High	V _{SLH}		3	9	16	mV
Input voltage High → Low	V _{SHL}		-19	-11	-5	mV
CSD oscillator circuit						
High level output voltage	V _{OH} (CSD)		2.7	3.0	3.3	V
Low level output voltage	V _{OL} (CSD)		0.9	1.1	1.3	V
Amplitude	V (CSD)		1.6	1.9	2.2	Vp-p
External capacitor charge current	I _{CHG1} (CSD)	V _{CHG1} = 2.0V	-14	-11.5	-9	μA
External capacitor discharge current	I _{CHG2} (CSD)	V _{CHG2} = 2.0V	9.5	12	14.5	μA
Oscillation frequency	f (CSD)	C = 0.022μF (Design target value)		130		Hz
Charge pump output (VG pin)						
Output voltage	V _{GOUT}			V _{CC} +4.5		V

Continued on next page.

LV8829LF

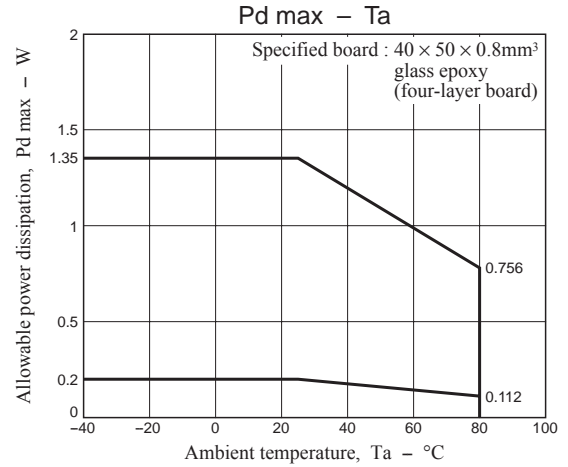
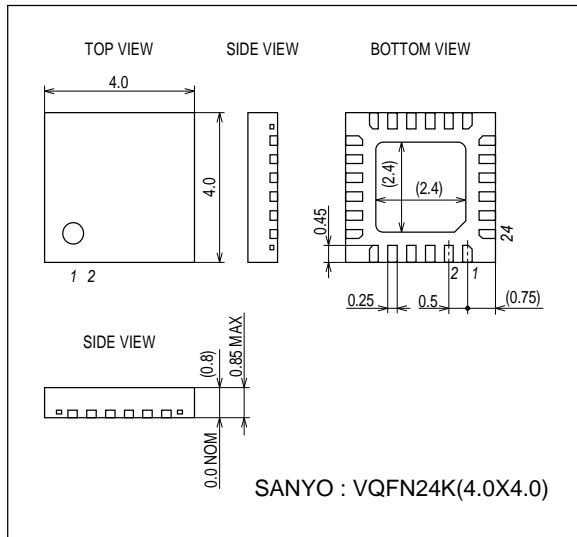
Continued from preceding page.

Parameter	Symbol	Conditions	Ratings			Unit
			min	typ	max	
CP1 pin						
Output ON resistance (High level)	V_{OH} (CP1)	ICP1 = -2mA		500	700	Ω
Output ON resistance (Low level)	V_{OL} (CP1)	ICP1 = 2mA		350	500	Ω
Charge pump frequency	f (CP)		82	103	124	kHz
Internal PWM frequency						
Oscillation frequency	f (PWM)		41	51.5	62	kHz
Current limiter operation						
Limiter voltage	VRF		0.19	0.21	0.23	V
Thermal shutdown operation						
Thermal shutdown operation temperature	TSD	*Design target value (junction temperature)	150	165	180	$^{\circ}\text{C}$
Hysteresis width	ΔTSD	*Design target value (junction temperature)		30		$^{\circ}\text{C}$
HB pin						
Output voltage	VHB	IHB = -100 μA	3.4	3.6	3.8	V
Low-voltage protection (5V constant-voltage output detection)						
Operation voltage	VSD		3.95	4.15	4.35	V
Hysteresis width	ΔVSD		0.2	0.3	0.4	V
FG pin (3FG pin)						
Output ON resistance	V_{OL} (FG)	IFG = 5mA		40	60	Ω
Output leak current	I_{L} (FG)	$V_{O} = 5\text{V}$			10	μA
S/S pin						
High level input voltage	V_{IH} (SS)		2.0		VREG	V
Low level input voltage	V_{IL} (SS)		0		1.0	V
Input open voltage	V_{IO} (SS)		VREG-2.2	VREG-2.0	VREG-1.8	V
Hysteresis width	V_{IS} (SS)		0.25	0.33	0.4	V
High level input current	I_{IH} (SS)	$V_{SS} = \text{VREG}$	45	60	75	μA
Low level input current	I_{IL} (SS)	$V_{SS} = 0\text{V}$	-115	-90	-65	μA
PWMIN pin						
Recommended input frequency	F (PWIN)		0.5		60	kHz
High level input voltage	V_{IH} (PWIN)		2.0		VREG	V
Low level input voltage	V_{IL} (PWIN)		0		1.0	V
Input open voltage	V_{IO} (PWIN)		VREG-2.2	VREG-2.0	VREG-1.8	V
Hysteresis width	V_{IS} (PWIN)		0.25	0.33	0.4	V
High level input current	I_{IH} (PWIN)	$V_{PWIN} = \text{VREG}$	45	60	75	μA
Low level input current	I_{IL} (PWIN)	$V_{PWIN} = 0\text{V}$	-115	-90	-65	μA
F/R pin						
High level input voltage	V_{IH} (FR)	*Design target value	2.0		VREG	V
Low level input voltage	V_{IL} (FR)	*Design target value	0		1.0	V
Input open voltage	V_{IO} (FR)		VREG-2.2	VREG-2.0	VREG-1.8	V
Hysteresis width	V_{IS} (FR)	*Design target value	0.25	0.33	0.4	V
High level input current	I_{IH} (FR)	$V_{F/R} = \text{VREG}$	45	60	75	μA
Low level input current	I_{IL} (FR)	$V_{F/R} = 0\text{V}$	-115	-90	-65	μA

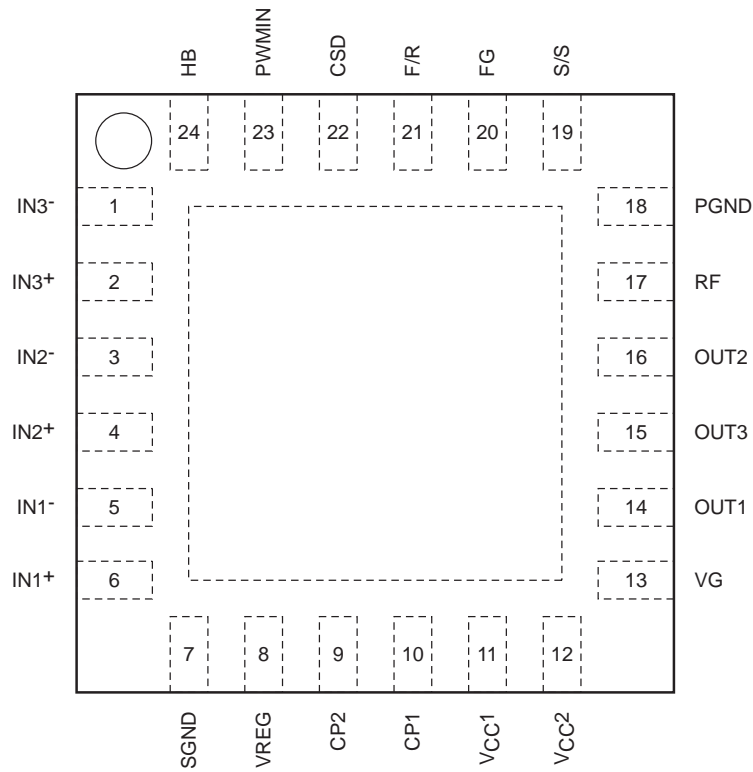
* : Design target value and no measurement is made.

Package Dimensions

unit : mm (typ)
3400



Pin Assignment



Three-phase logic truth table (IN = “High” indicates the state where $IN^+ > IN^-$.)

F/R = [H]			F/R = [L]			Output		
IN1	IN2	IN3	IN1	IN2	IN3	OUT1	OUT2	OUT3
H	L	H	L	H	L	L	H	M
H	L	L	L	H	H	L	M	H
H	H	L	L	L	H	M	L	H
L	H	L	H	L	H	H	L	M
L	H	H	H	L	L	H	M	L
L	L	H	H	H	L	M	H	L

F/R			Output
IN1	IN2	IN3	FG
H	L	H	L
H	L	L	L
H	H	L	L
L	H	L	H
L	H	H	H
L	L	H	H

S/S pin, PWMIN pin

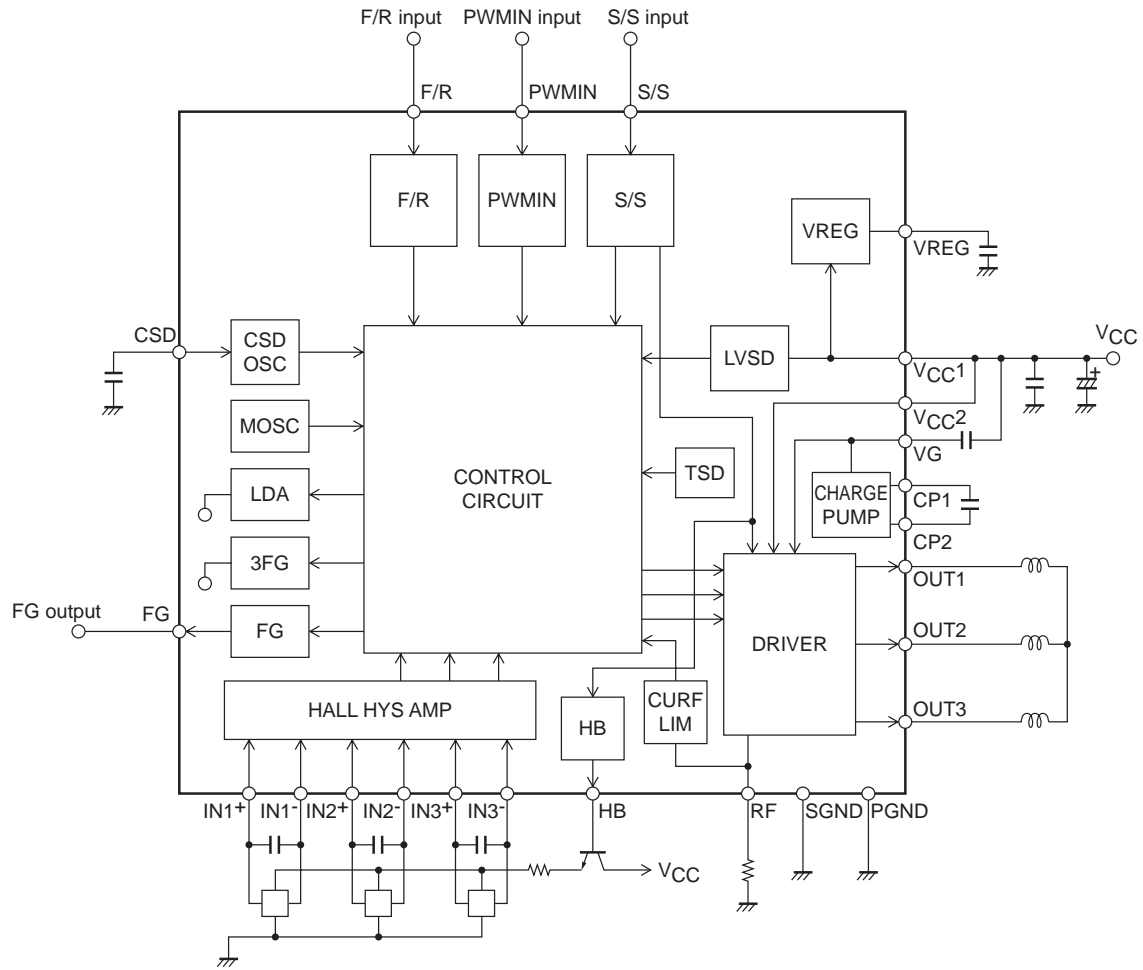
Input state	S/S pin	PWMIN pin
High or Open	Stop (short brake)	Output OFF
Low	Start	Output ON

CSD function

- When the S/S pin is in a STOP state → Protection released and count reset
- When the F/R pin is switched → Protection released and count reset
- When 0% duty is detected at the PWMIN pin input → Protection released and count reset
- When low-voltage condition is detected → Protection released and count reset (Initial reset)
- When TSD condition is detected → Stop counting

LV8829LF

Internal Equivalent Circuit and Sample External Component Circuit



Pin Functions

Pin No.	Pin Name	Pin function	Equivalent Circuit
1 2 3 4 5 6	IN3 ⁻ IN3 ⁺ IN2 ⁻ IN2 ⁺ IN1 ⁻ IN1 ⁺	Hall input pin. •High when IN ⁺ > IN ⁻ . Low in reverse relationship. The input amplitude of over 100mVp-p (differential) is desirable in the Hall inputs. Insert a capacitor between the IN ⁺ and IN ⁻ pins if the noise on the Hall signal is a problem.	
7	SGND	Control circuit block ground pin.	
8	VREG	5V regulator output pin (control circuit power supply). Insert a capacitor between this pin and ground for stabilization. About 1μF is necessary.	
9 10	CP2 CP1	Charge pump capacitor connection pin. Insert capacitor between CP1 and CP2.	
11	VCC1	Control power pin. Insert a capacitor between this pin and ground to prevent the influence of noise, etc.	
12	VCC2	Output power pin. Insert a capacitor between this pin and ground to prevent the influence of noise, etc.	
13	VG	Charge pump output pin. (Upper-side FET gate power supply) Insert a capacitor between this pin and VCC.	

Continued on next page.

LV8829LF

Continued from preceding page.

Pin No.	Pin Name	Pin function	Equivalent Circuit
14 15 16	OUT1 OUT3 OUT2	Output pin. PWM is controlled by the upper-side FET.	
17	RF	Output current detection pin. Insert a low resistance resistor (Rf) between this pin and ground.	
18	PGND	Out circuit block ground pin.	
19	S/S	Pin to select the start/stop type. Stop = High or open Start = Low	
20	FG	FG signal output pin. 1-Hall FG (IN1). Open drain output.	

Continued on next page.

LV8829LF

Continued from preceding page.

Pin No.	Pin Name	Pin function	Equivalent Circuit
21	F/R	Pin to select the forward/reverse type. This pin goes to the high level when open.	
22	CSD	Pin to set the constraint protection circuit operating time and initial reset pulse. Insert a capacitor between this pin and ground. Insert a resistor in parallel with the capacitor if the protection circuit is not to be used.	
23	PWMIN	External PWM input pin. Apply an external PWM input signal to this pin. (Input frequency range is from 0.5 to 60kHz.) PWM ON = Low PWM OFF = High or open	
24	HB	HALL bias pin (3.6V output). Connect an NPN transistor. (See "5 Hall Input Signal.")	

Description of LV8829LF**1. Output Drive Circuit**

This IC adopts a direct PWM drive method to reduce power loss in the output. It regulates the drive force of the motor by changing the output on duty. The output PWM switching is performed by the upper-side output transistor.

The current regeneration route during the normal PWMOFF passes through the parasitic diode of the output DMOS.

This IC performs synchronous rectification, and is intended to reduce heat generation compared to diode regeneration.

2. Current Limiter Circuit

The current limiter circuit limits the output current peak value to a level determined by the equation $I = V_{RF}/R_f$ ($V_{RF} = 0.21V$ (typical), R_f : current detection resistor). This circuit suppresses the output current by reducing the output on duty.

The current limiter circuit has an operation delay (approx. 700ns) to detect reverse recovery current flowing in the diode due to the PWM operation, and prevent a malfunction of the current limiting operation. If the coil resistance of the motor is small, or the inductance is low, the current at startup (the state in which there is no back electromotive force generated in the motor) will change rapidly. As a result, the operation delay may sometimes cause the current limiting operation to take place at a value above the set current. In such a case, it is necessary to set the current limit value while taking into consideration the increase in current due to the delay.

* Regarding the PWM frequency in the current limiter circuit

The PWM frequency in the current limiter circuit is determined by the internal reference oscillator, and is approximately 50kHz.

3. Speed control method

Pulses are input to the PWMIN pin, and the output can be controlled by varying the duty cycle of these pulses.

When a low-level input voltage is applied to the PWMIN pin, the output at the PWM side (upper side) is set to ON.

When a high-level input voltage is applied to the PWMIN pin, the output at the PWM side (upper side) is set to OFF.

If it is necessary to input pulses using inverted logic, this can be done by adding an external transistor (NPN).

When the input to the PWMIN pin remains high-level for a certain period, the IC judges that the duty is 0%, causing the CSD circuit count to be reset and the output from the HB pin to become low level.

4. Constraint Protection Circuit

The LV8829LF includes a constraint protection circuit for protecting the IC and the motor in a motor constraint mode.

This circuit operates when the motor is in an operation condition and the Hall signal does not switch over for a certain period. Note that while this constraint protection is operating, the upper-side output transistor will be OFF.

Time setting is performed according to the capacitance of the capacitor connected to the CSD pin.

$$\text{Set time (s)} \approx 90 \times C (\mu\text{F})$$

When a 0.022 μ F capacitor is connected, the protection time becomes approximately 2.0 seconds. The set time must be selected to a value that provides adequate margin with respect to the motor startup time.

Conditions for releasing the constraint protection state:

- When the S/S pin is in a STOP state → Protection released and count reset
- When the F/R pin is switched → Protection released and count reset
- When 0% duty is detected at the PWMIN pin input → Protection released and count reset
- When low-voltage condition is detected → Protection released and count reset (Initial reset)
- (When TSD condition is detected → Stop counting)

The CSD pin also functions as the initial reset pulse generation pin. If it is connected to ground, the logic circuit will go into a reset state, preventing speed control from taking place. Consequently, when not using constraint protection, connect a resistor of approximately 220k Ω and a capacitor of about 4700pF in parallel to ground.

5. Hall Input Signal

A pulse input with the amplitude in excess of the hysteresis (35mV maximum) is required for the Hall inputs.

It is desirable that the amplitude of the Hall input signal be 100mVp-p or more in consideration of the effect of noise and phase displacement.

If disturbances to the output waveform (during phase switching) occur due to noise, connect a capacitor between the Hall input pins to prevent such disturbances. In the constraint protection circuit, the Hall input is utilized as a judgment signal. Although the circuit ignores a certain amount of noise, caution is necessary.

If all three phases of the Hall input signal go to the same input state (HHH or LLL), the outputs are all set to the OFF state.

If the Hall IC is used, fixing one side of the inputs (either the + or – side) at a voltage within the common-mode input voltage range (between 0.3V and VREG-1.7V) allows the other input side to be used as an input over the 0V to VREG range.

○ Method of connecting Hall elements

Type (1) connection (three Hall elements connected in series)

Advantages

- Because the current flowing in Hall elements can be shared by connecting the Hall elements in series, the current consumption is less than that of a parallel-connected arrangement.
- The use of a current limiting resistor can be eliminated.
- Fluctuations of amplitude with temperature are reduced.

Disadvantages

- Because only 1V can be applied to one Hall device, there is a possibility that adequate amplitude cannot be obtained.
- The current flowing in the Hall elements varies with temperature.

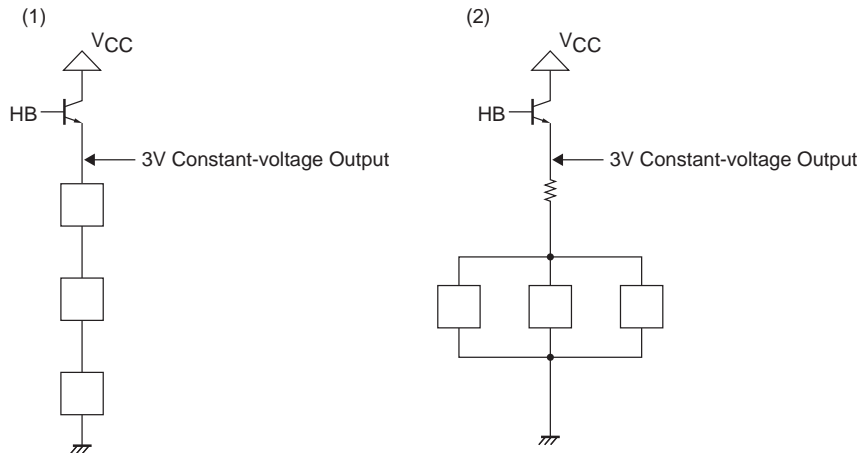
Type (2) connection (three Hall elements connected in parallel)

Advantages

- The current flowing in the Hall elements can be determined by the current limiting resistor.
- The voltage applied to the Hall elements can be varied, enabling adequate amplitude to be obtained.

Disadvantages

- Because it is necessary to supply current separately to each Hall element, the current consumption becomes large.
- A current limiting resistor is necessary.
- The amplitude varies with temperature.



○ HB pin

The HB pin is used for cutting off the current flowing in the Hall elements during standby (for saving electricity). The output from the HB pin is set to OFF in the following cases.

- When the S/S pin is in a STOP state
- When 0% duty is detected at the PWMIN pin input

6. Power Saving Circuit (Start/Stop circuit)

To save power when the LV8829LF is in the stop state, most of the circuit is stopped, aiming at reducing current consumption. If the Hall bias pin is used, the current consumption in the power-saving mode will be approximately 700 μ A. Even in the power-saving mode, a 5V regulator voltage is output. Also, in the power-saving mode, the IC is in a short break state. (lower-side shorted)

7. Power Supply Stabilization

This IC generates a large output current, and employs a switching drive method, so the power supply line level can be disturbed easily. For this reason, it is necessary to connect a capacitor (electrolytic) of sufficient capacitance between the V_{CC} pin and ground to ensure a stable voltage. Connect the ground side of the capacitor to the PGND pin, which is the power ground, as close as possible to the pin. If it is not possible to connect a capacitor of sufficiently large capacitance close to the pin, connect a ceramic capacitor of approximately 0.1 μ F to the vicinity of the pin. If diodes are inserted in the power supply line to prevent IC destruction resulting from reverse-connecting the power supply, the power supply lines are even more easily disrupted. And even larger capacitor is required.

8. VREG Stabilization

To stabilize the VREG voltage, which is the power supply for the control circuit, connect a capacitor of 0.1 μ F or larger. Connect the ground of this capacitor as close as possible to the control block ground (SGND pin) of the IC.

9. Charge pump Circuit

The voltage is stepped-up by the charge pump circuit, causing the gate voltage of the upper-side output FET to be generated. The voltage is stepped-up by capacitor CP connected between pins CP1 and CP2, causing charge to accumulate in capacitor CG connected between pins VG and V_{CC}. The capacitance of CP and CG must always satisfy the following relationship.

$$CG \geq 4 \times CP$$

Charging and discharging of capacitor CP take place based on a frequency of 100kHz. When the capacitance of capacitor CP is large, the current supply capability of power supply VG will increase. However, if the capacitance is too large, the charging and discharging operations will be insufficient. The larger the capacitance of capacitor CG, the more stable voltage VG will become. However, if the capacitance is made too large, the period during which voltage VG is generated when the power is switched ON will become long, so caution is necessary.

The capacitance settings of CP and CG should be the following.

$$CP = 0.01\mu\text{F}$$

$$CG = 0.1\mu\text{F}$$

10. Metal part at the rear of the IC

The metal part at the rear of the IC (exposed die-pad) constitutes the sub ground of the IC, so connect it to the control ground (SGND pin) and power ground pin (PGND) at points close to the IC.

- SANYO Semiconductor Co.,Ltd. assumes no responsibility for equipment failures that result from using products at values that exceed, even momentarily, rated values (such as maximum ratings, operating condition ranges, or other parameters) listed in products specifications of any and all SANYO Semiconductor Co.,Ltd. products described or contained herein.
- SANYO Semiconductor Co.,Ltd. strives to supply high-quality high-reliability products, however, any and all semiconductor products fail or malfunction with some probability. It is possible that these probabilistic failures or malfunction could give rise to accidents or events that could endanger human lives, trouble that could give rise to smoke or fire, or accidents that could cause damage to other property. When designing equipment, adopt safety measures so that these kinds of accidents or events cannot occur. Such measures include but are not limited to protective circuits and error prevention circuits for safe design, redundant design, and structural design.
- In the event that any or all SANYO Semiconductor Co.,Ltd. products described or contained herein are controlled under any of applicable local export control laws and regulations, such products may require the export license from the authorities concerned in accordance with the above law.
- No part of this publication may be reproduced or transmitted in any form or by any means, electronic or mechanical, including photocopying and recording, or any information storage or retrieval system, or otherwise, without the prior written consent of SANYO Semiconductor Co.,Ltd.
- Any and all information described or contained herein are subject to change without notice due to product/technology improvement, etc. When designing equipment, refer to the "Delivery Specification" for the SANYO Semiconductor Co.,Ltd. product that you intend to use.
- Information (including circuit diagrams and circuit parameters) herein is for example only; it is not guaranteed for volume production.
- Upon using the technical information or products described herein, neither warranty nor license shall be granted with regard to intellectual property rights or any other rights of SANYO Semiconductor Co.,Ltd. or any third party. SANYO Semiconductor Co.,Ltd. shall not be liable for any claim or suits with regard to a third party's intellectual property rights which has resulted from the use of the technical information and products mentioned above.

This catalog provides information as of July, 2010. Specifications and information herein are subject to change without notice.