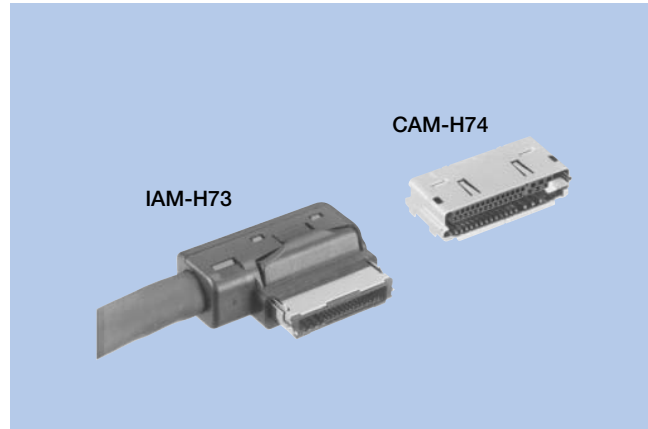


Rectangular Connectors IAM-H73, CAM-H74

FEATURES

1. This series of connectors is used for the external connections between units. CAM-H74 series connectors are the surface mounting type connectors and IAM-H73 series connectors are the L type plugs.
2. This series of connectors has a power supply pins (6 pins).
3. This series of connectors has a coupling key, so there is no risk of miscoupling when using the same connector for multiple connections.
4. With the implementation of SMT, the GND through hole and terminals can have high peel strength.



HOW TO ORDER

1. IAM-H73 (Cable Plug)

H73-034-A006-A
1 2

- 1 Series No. (H73)
- 2 No. of contacts (034 : 34pins)

2. CAM-H74 (Socket)

H74-034-050-AAGAA-A
1 2

- 1 Series No. (H74)
- 2 No. of contacts (034 : 34pins)

SPECIFICATIONS

ELECTRICAL CHARACTERISTICS

Rated Voltage	30V DC
Rated Current	Signal pin : 0.5A, Power Supply : 1.5A (6pins)
Withstanding Voltage	100V AC 1minute
Insulation Resistance	10MΩ min. (at 500V DC)
Contact Resistance	100mΩ max.

MECHANICAL CHARACTERISTICS

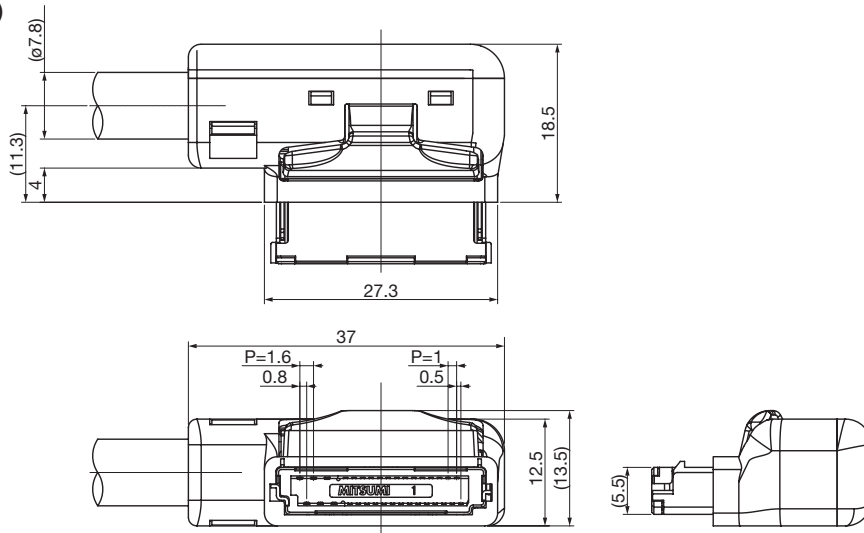
Life (Matching Cycle)	5,000times
Total Insertion Force	40N (4kgf) max.
Total Withdrawal Force	1~40N (0.1~4kgf) max.
Using Temperature Range	-30~+85°C

MATERIAL & FINISH

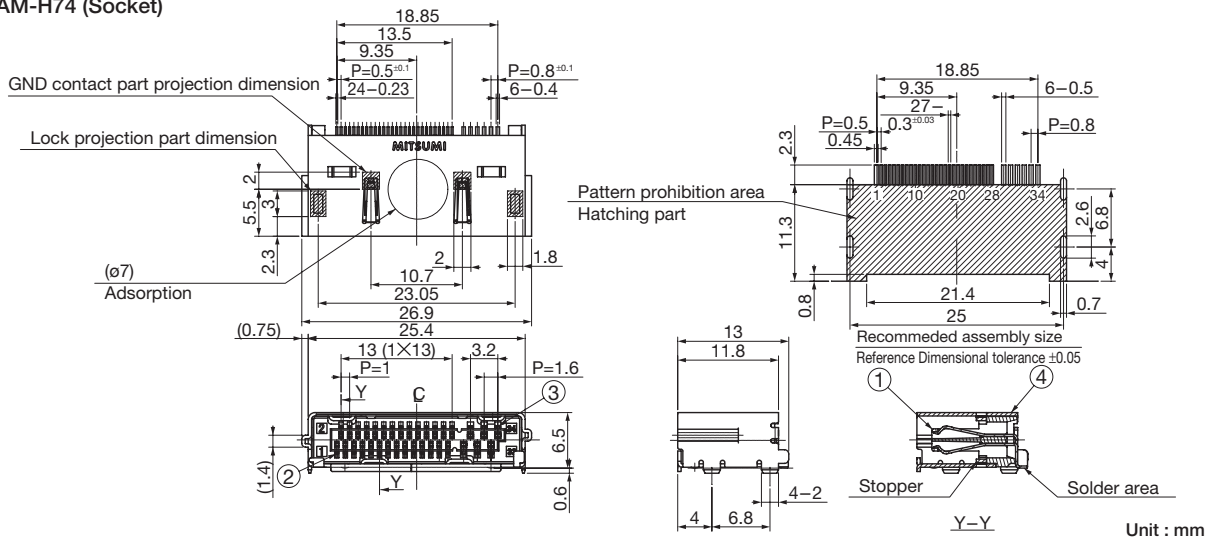
Component Parts		Material	Finish
IAM-H73	Housing	Nylon resin	Black
	Contact	Copper Alloy	Gold plating
	Upper Shielded Case	Copper Alloy	Nickel plating
	Lower Shielded Case	Stainless	—
	Case	PBT resin	Black
	Clamper	Steel	Galvanized steel
CAM-H74	Housing	Nylon resin	Black
	Contact	Copper Alloy	Gold selective plating
	Metal Cover	Copper Alloy	Tin reflow plating

DIMENSIONS

IAM-H73 (Cable Plug)



CAM-H74 (Socket)



Unit : mm