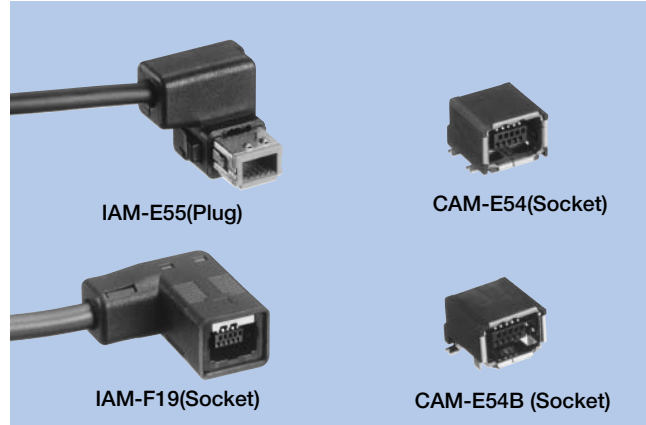


# Rectangular Connectors

## IAM-E55 · F19, CAM-E54, E54B

### FEATURES

1. These are external connectors for connecting different units. CAM-E54 is the surface mounting type and IAM-E55 is the L type.
2. Coupling depth is set at 12mm, making it easy to ensure mounting space.
3. There is coupling key available, so there is no risk of miscoupling when using several of the same connector.
4. The pressure connection type with coupling pitch of 1mm is utilized.



### HOW TO ORDER

#### 1. IAM-E55 (Angle Plug)

**E55-010-3805**

1      2      3

- 1 Series No. (E55 : L type)
- 2 No. of contacts (010 : 10pins)
- 3 Supplementary symbol  
 A : Key-typeA Housing Black  
 B : Key-typeB Housing Blue  
 C : Key-typeC Housing Green

#### 2. CAM-E54 (SMT Socket)

**E54-010-050-AGGAA-**

1      2      3

- 1 Series No. (E54 : SMT type)
- 2 No. of contacts (010 : 10pins)
- 3 Supplementary symbol  
 A : Key-typeA Housing Black  
 B : Key-typeB Housing Blue  
 C : Key-typeC Housing Green

#### 3. CAM-E54B (SMT Socket/GND Through hole)

**E54B-010-230-AAGAA-**

1      2      3

- 1 Series No. (E54B : SMT type)
- 2 No. of contacts (010 : 10pins)
- 3 Supplementary symbol  
 A : Key-typeA Housing Black  
 B : Key-typeB Housing Blue  
 C : Key-typeC Housing Green

#### 4. IAM-F19 (Socket)

**F19-010-5005**

1      2      3

- 1 Series No. (F19 : Relay L type)
- 2 No. of contacts (010 : 10pins)
- 3 Supplementary symbol  
 A : Key-typeA Housing Black

## SPECIFICATIONS

### ELECTRICAL CHARACTERISTICS

|                       |                       |
|-----------------------|-----------------------|
| Rated Voltage         | 30V DC                |
| Rated Current         | 0.5A (1A up to pin 4) |
| Withstanding Voltage  | 300V AC 1minute       |
| Insulation Resistance | 100MΩ min.            |
| Contact Resistance    | 100mΩ max.            |

### MECHANICAL CHARACTERISTICS

|                         |                            |
|-------------------------|----------------------------|
| Life (Matching Cycle)   | 5,000 times                |
| Total Withdrawal Force  | 1.96~39.2N (0.2~4kgf) max. |
| Lock Strength           | 49N (5kgf) min.            |
| Using Temperature Range | -30~+85°C                  |

## WIRE SIZES

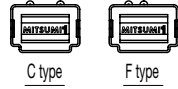
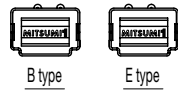
|                        |           |
|------------------------|-----------|
| Wire Sizes             | AWG 26~32 |
| Wire Covering Diameter | Ø0.7 max. |
| Cable Outside Diameter | Ø5 max.   |

## MATERIAL & FINISH

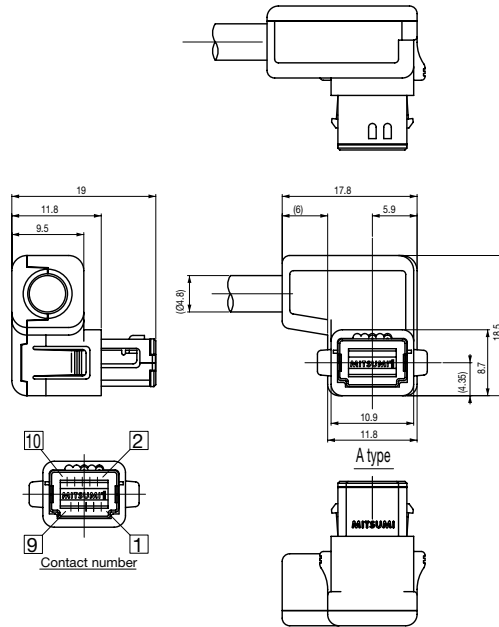
| Component Parts |                     | Material            | Finish              |
|-----------------|---------------------|---------------------|---------------------|
| IAM-E55         | Housing             | PBT resin           | (Each color)        |
|                 | Contact             | Copper Alloy        | Gold plating        |
|                 | Shielded Case       | Copper Alloy        | Nickel plating      |
|                 | Case                | PBT resin           | (Black)             |
|                 | Clamper             | Steel               | Plating steel plate |
| CAM-E54         | Housing             | Nylon               | (Each color)        |
|                 | Contact             | Copper Alloy        | Gold plating        |
|                 | Metal Cover         | Copper Alloy        | Copper-tin plating  |
| IAM-F19         | Housing A           | PBT resin           | (Black)             |
|                 | Contact A           | Copper Alloy        | Gold plating        |
|                 | Housing B           | PBT resin           | (Black)             |
|                 | Contact B           | Copper Alloy        | Gold plating        |
|                 | Upper Shielded Case | Stainless           | —                   |
|                 | Lower Shielded Case | Copper Alloy        | Nickel plating      |
|                 | Case A              | PBT resin           | (Black)             |
|                 | Case B              | PBT resin           | (Black)             |
| Clamper         | Steel               | Plating steel plate |                     |

# DIMENSIONS

IAM-E55

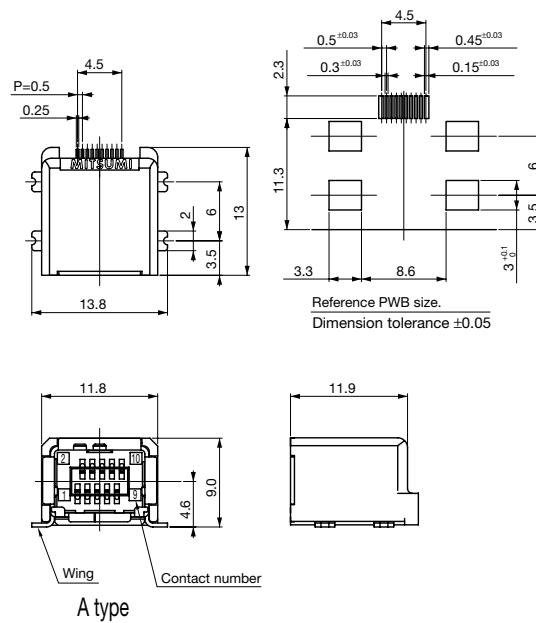
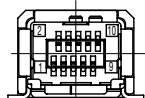
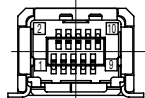
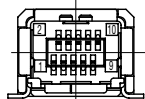
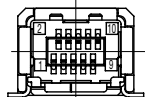
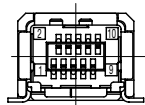


Connecting type



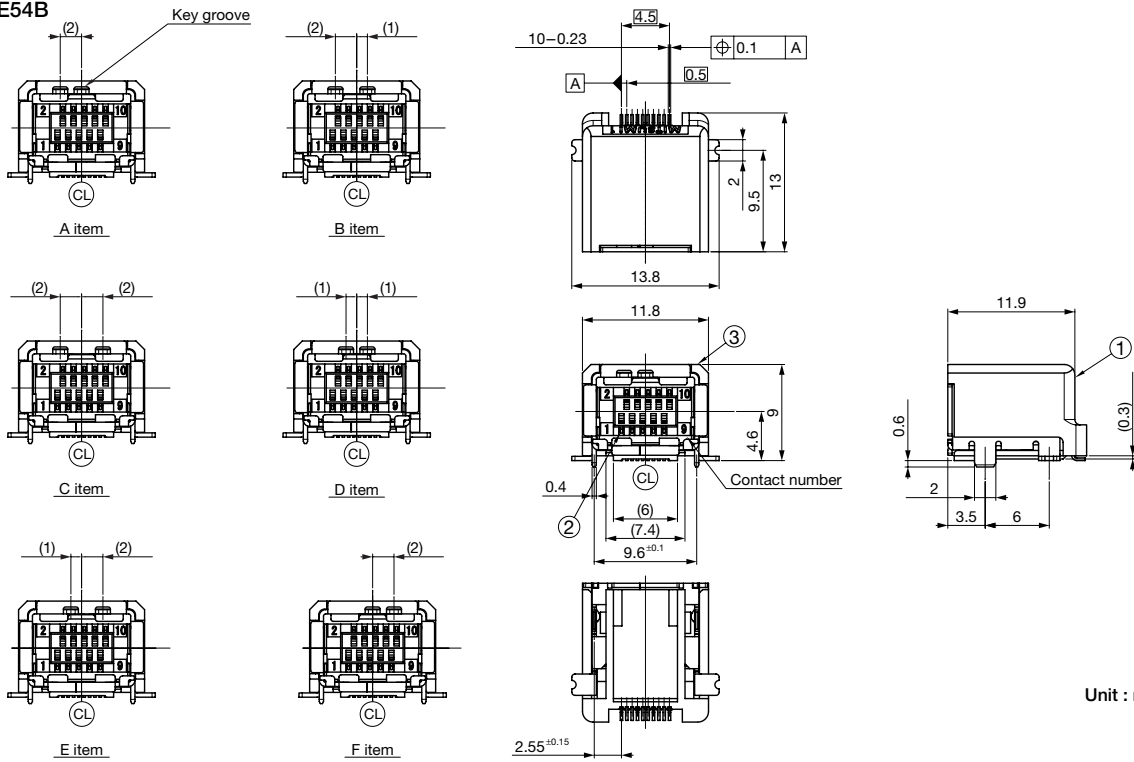
Unit : mm

CAM-E54



Unit : mm

CAM-E54B



IAM-F19

