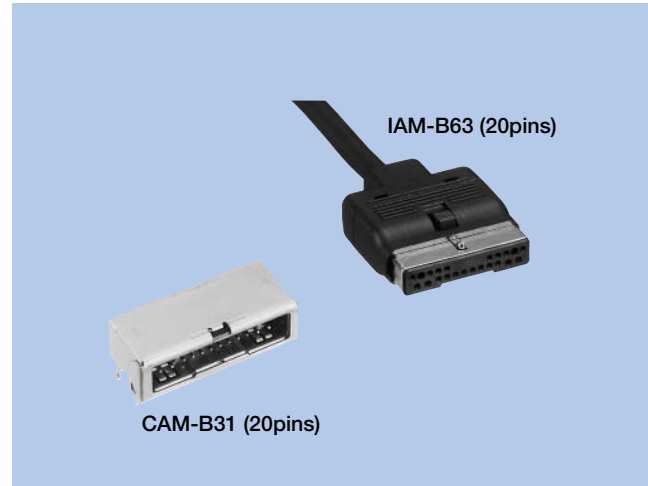


# Rectangular Connectors IAM-B63, CAM-B31 Series

## FEATURES

1. IAM-B63 is a straight type rectangular connector, with 20 pins and 22 pins.
2. Push type with one-touch lock mechanism and Shield type.
3. PCB mount type CAM-B31 is applicable to the standard substrate of 1.6mm in thickness.
4. Also available with coupling/decoupling cycle life of up to 5,000 times. (20 pins only)



## HOW TO ORDER

### 1. IAM-B63 Series (Cable Ass'y)

**B63**-□□□-□□□□□  
 1            2            3

- 1 Series No. (B63)
- 2 No. of contacts (020 : 20pins, 022 : 22pins)
- 3 Product Specifications  
(1087A : 20pins, 1963A : 22pins)

### 2. CAM-B31 Series (PCB Mount Type)

**B31**-□□□-02 0-IHBAAA-□  
 1            2            3    4            5            6

- 1 Series No. (B31)
- 2 No. of contacts (020 : 20pins, 022 : 22pins)
- 3 Housing Material (02 : PBT resin)
- 4 UL Grade (0 : UL 94V-0)
- 5 Supplementary symbol
- 6 Shield case flange (A : without, B : with)

## SPECIFICATIONS

### ELECTRICAL CHARACTERISTICS

Rated Voltage	30V DC
Rated Current	Signal terminal : 1A (Power supply terminal : 4A)
Withstanding Voltage	500V AC (rms) 1minute
Insulation Resistance	100MΩ min. (at 500V DC)
Contact Resistance	30mΩ max.

### MECHANICAL CHARACTERISTICS

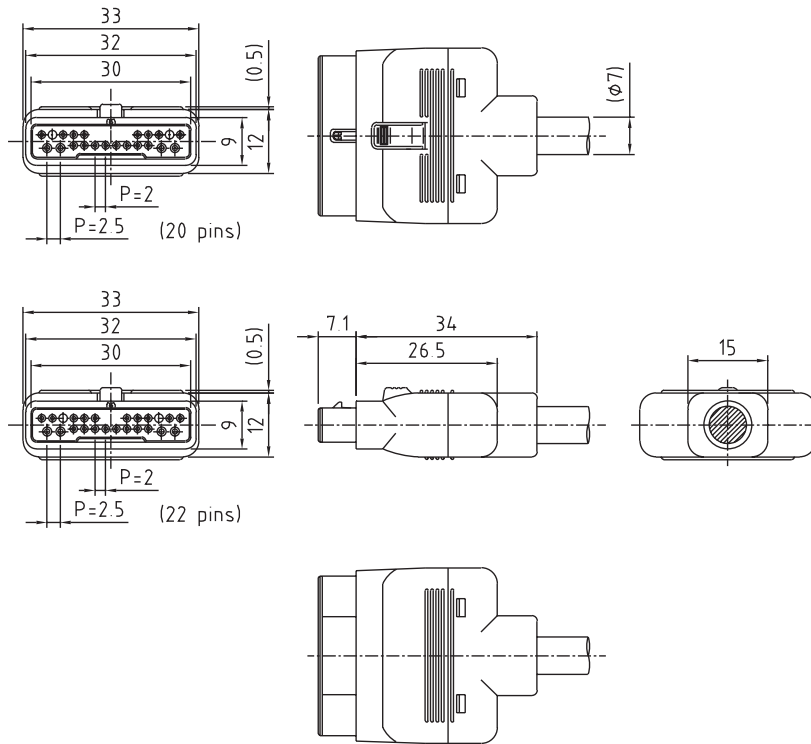
Life (Matching Cycle)	200 times
Total Insertion Force	69N (7kgf) max.
Total Withdrawal Force	3~69N (0.3~7kgf) max.
Total Withdrawal Force (B63)	3~69N (0.3~7kgf)
Using Temperature Range	-30~+85°C

## MATERIAL & FINISH

Component Parts		Material	Finish
IAM-B63 Series	Socket Housing	PBT resin	—
	Socket Contact	Copper Alloy	Tin reflow plating
	Shielded Case	Steel	Nickel plating
	Cover	PBT resin	—
	Lock	Copper Alloy	Nickel plating
	Cord Clamper	Aluminum	—
CAM-B31 Series	Housing	Glass filled PBT resin	—
	Contact	Copper Alloy	Tin reflow plating
	Inner Shielded Case	Copper Alloy	Tin reflow plating
	Outer Shielded Case	Steel	Tin plating
	Guide Pin	Stainless	—

## DIMENSIONS

### IAM-B63 Series (20 pins)



CAM-B31 Series (20 pins)

