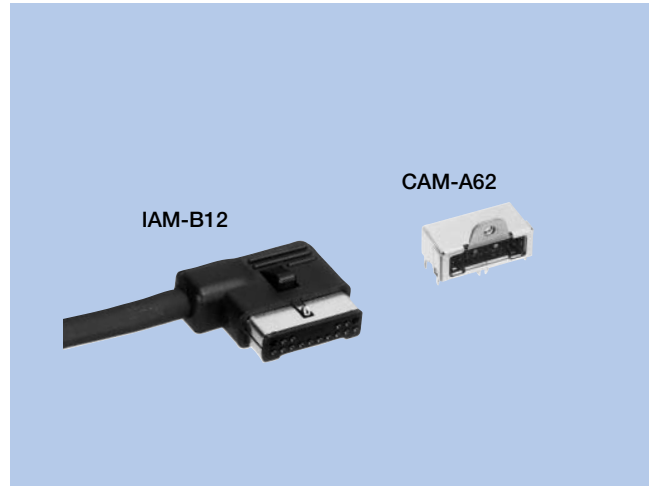


Rectangular Connectors IAM-B12, CAM-A62 Series

FEATURES

1. IAM-B12 series are angle type rectangular connectors of 14 and 16 pins. CAM-A62 series are straight type rectangular connectors of 14 and 16 pins.
2. These connectors are equipped with a “one-touch” lock device and guide pins for preventing wrong insertion of connector and for protecting terminal.
3. The inside and outside of these connectors are shielded.
4. Highly durable connectors that have the coupling/ decoupling cycle life of 5,000 times are available. (This type of the connector is only available in IAM-B12 series connectors with 16 pins.)



HOW TO ORDER

1. IAM-B12 Series

B12 - -

1 2 3

- 1 Series No.
- 2 No. of contacts
(014 : 14pins, 016 : 16pins)
- 3 Product Specifications
(1464A : 14pins, 1615A : 16pins)

2. CAM-A62 Series (PCB Mount Type)

A62 - -

1 2 3

- 1 Series No. (A62)
- 2 No. of contacts
(014 : 14pins, 016 : 16pins)
- 3 Product Specifications
(1869B : 14pins, 8710A : 16pins)

* This series of connectors is available only in the form of connectors. (That is, the connector with a cable connected is not available).

SPECIFICATIONS

ELECTRICAL CHARACTERISTICS

Rated Voltage	30V DC
Rated Current	1A
Withstanding Voltage	500V AC (rms) 1minute
Insulation Resistance	100MΩ min. (at DC 500V)
Contact Resistance	30mΩ max.

MECHANICAL CHARACTERISTICS

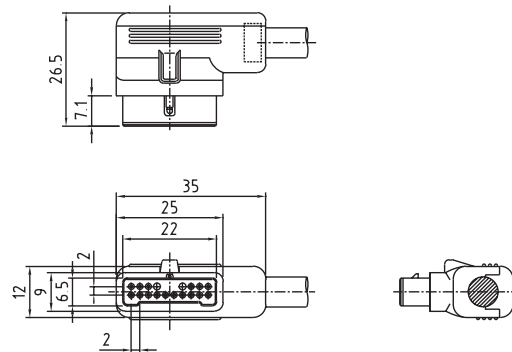
Life (Matching Cycle)	200 times
Total Insertion Force	49N (5kgf) max.
Total Withdrawal Force	3~49N (0.3~5kgf)
Using Temperature Range	-30~+85°C
Lock Strength (B12)	49N (5kgf) min.

MATERIAL & FINISH

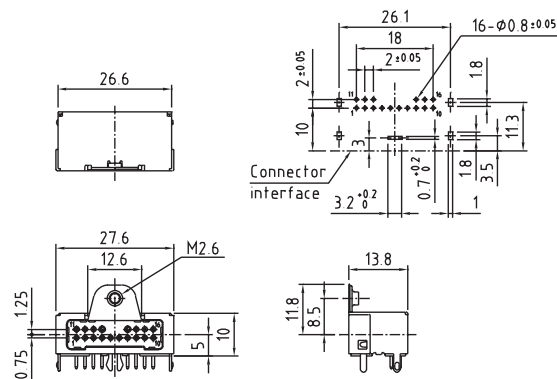
Component Parts		Material	Finish
IAM-B12 Series	Housing	PBT resin	—
	Contact	Copper Alloy	Tin reflow plating
	Upper Shielded Case	Steel	Nickel plating
	Lower Shielded Case	Steel	Nickel plating
	Cover	Glass filled PBT resin	—
	Top Cover	Glass filled PBT resin	—
	Lock	Copper Alloy	Nickel plating
	Cord Clamper	Aluminum	—
CAM-A62 Series	Plug Housing	Glass filled PBT resin	—
	Plug Contact	Copper Alloy	Tin reflow plating
	Inner Shielded Case	Copper Alloy	Tin reflow plating
	Outer Shielded Cover	Steel	Tin plating
	Guide Pin	Stainless	—

DIMENSIONS

IAM-B12



CAM-A62 Series



Unit : mm