

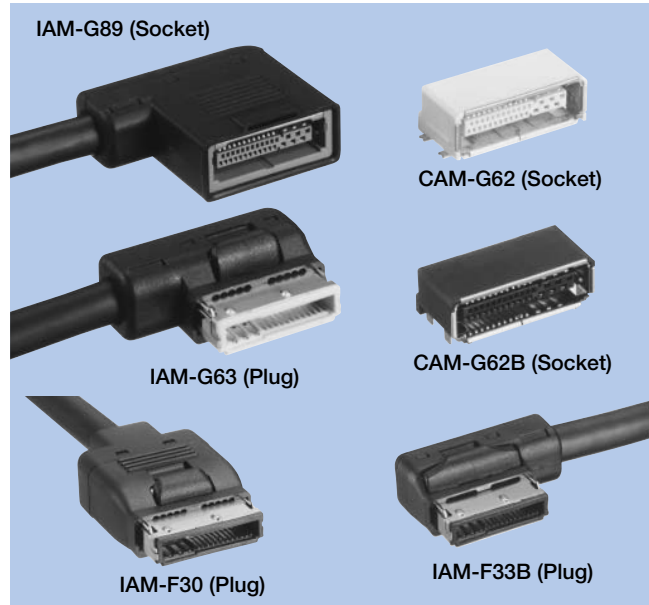
Rectangular Connectors

IAM-G63 · G89 · F30 · F33B, CAM-G62 · G62B

Connectors

FEATURES

1. These are connectors for external connection of different units. CAM-62 is the surface mounting type, and IAM-G63 has an L type plug. IAM-G89 is an L type extension cable connector.
2. A power supply pin (6 pins) is provided. Customers may choose from two types according to the application: the 6 pins type or the 2 pins type.
3. There is coupling key available, so there is no risk of miscoupling when using the same connector for multiple connections. (IAM-G89 is the key-free type, able to couple with any type.)
4. The pressure connection type with coupling pitch of 1mm and 2mm is utilized.



HOW TO ORDER

1. IAM-G63 (Angle Plug)

G63-030-5550

1 2 3

- 1 Series No. (G63 : L type)
- 2 No. of contacts (030 : 30pins)
- 3 Supplementary symbol
 A : Key-typeA Housing Black
 B : Key-typeB Housing Yellow
 C : Key-typeC Housing Brown

2. CAM-G62 (SMT Socket)

G62- **-230-AGGAA-**

1 2 3

- 1 Series No. (G62 : SMT type)
- 2 No. of contacts (030 : 30pins)
(026 : 26pins)
- 3 Supplementary symbol
 A : Key-typeA Housing Black
 B : Key-typeB Housing Yellow
 C : Key-typeC Housing Brown

3. CAM-G62B (SMT Socket/GN Through hole)

G62B-030-230-AAGAA- _{1 2 3}

- 1 Series No. (G62B : SMT type)
- 2 No. of contacts (030 : 30pins)
- 3 Supplementary symbol
 - A : Key-typeA Housing Black
 - B : Key-typeB Housing Yellow
 - C : Key-typeC Housing Brown

4. IAM-G89 (Cable extension Angle Socket)

G89-030-2909A _{1 2}

- 1 Series No. (G89 : L type)
- 2 No. of contacts (030 : 30pins)

5. IAM-F30 (Plug)

F30-030-7021 _{1 2 3}

- 1 Series No. (F30 : Straight type)
- 2 No. of contacts (030 : 30pins)
- 3 Supplementary symbol
 - A : Key-typeA Housing Black
 - B : Key-typeB Housing Yellow
 - C : Key-typeC Housing Brown

6. IAM-F33 (Plug)

F33B-030-9320 _{1 2 3}

- 1 Series No. (F33B : L type)
- 2 No. of contacts (030 : 30pins)
- 3 Supplementary symbol
 - A : Key-typeA Housing Black
 - B : Key-typeB Housing Yellow
 - C : Key-typeC Housing Brown

SPECIFICATIONS

ELECTRICAL CHARACTERISTICS

Rated Voltage	30V DC
Rated Current	Signal pin : 0.5A, Power Supply : 2A (6pins)
Withstanding Voltage	300V AC 1minute
Insulation Resistance	100MΩ min.
Contact Resistance	100mΩ max.

MECHANICAL CHARACTERISTICS

Life (Matching Cycle)	5000 times
Total Withdrawal Force	1.96~39.2N (0.2~4kgf) max.
Lock Strength	49N (5kgf) min.
Using Temperature Range	-40~+85°C

WIRE SIZES

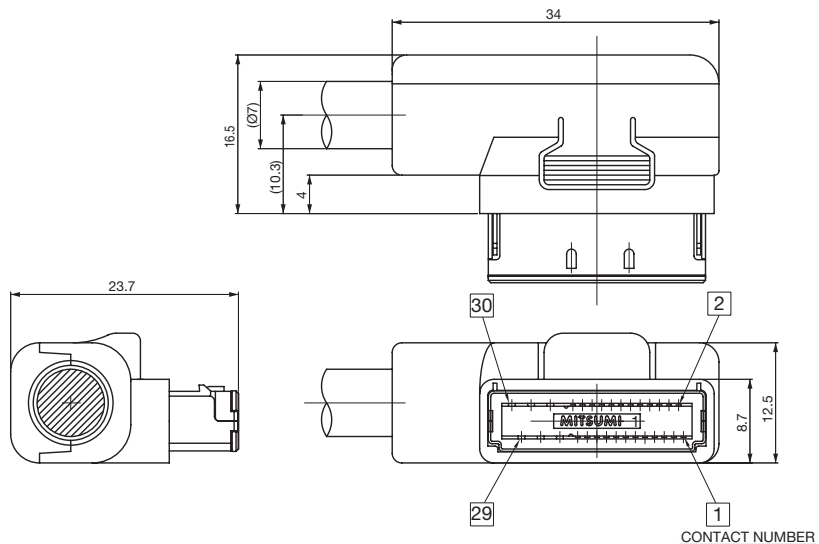
Wire Sizes	G63 : AWG 26~32, G89 : AWG 28~32, For Power Supply : AWG 22~28
Wire Covering Diameter	G63 : Ø0.7 max., G89 : Ø0.6 max., For Power Supply : Ø1.3 max.
Cable Outside Diameter	Ø7.5 max.

MATERIAL & FINISH

Component Parts		Material	Finish
IAM-G63	Housing	PBT resin	(Each color)
	Contact	Copper Alloy	Gold plating
	Shielded Case	Stainless	—
	Case	PBT resin	(Black)
	Clamper	Steel	Plating steel plate
CAM-G62 · G62B	Housing	Nylon	(Each color)
	Contact	Copper Alloy	Gold plating
	Metal Cover	Copper Alloy	Copper-tin plating
IAM-G89	Housing	PBT resin	(Gray)
	Housing for rely	PBT resin	(Black)
	Contact	Copper Alloy	Gold plating
	Contact for relay	Copper Alloy	Gold plating
	Shielded Case	Stainless	Nickel plating
	Case	PBT resin	(Black)
	Clamper	Steel	Plating steel plate
IAM-F30	Housing	PBT resin	(Each color)
	Contact	Copper Alloy	Gold plating
	Upper Shielded Case	Stainless	—
	Lower Shielded Case	Copper Alloy	Nickel plating
	Front Case	PBT resin	(Black)
	Rear Case	PBT resin	(Black)
	Clamper	Steel	Plating steel plate
IAM-F33B	Housing	PBT resin	(Each color)
	Contact	Copper Alloy	Gold plating
	Shielded Case A	Stainless	—
	Shielded Case B	Copper Alloy	Nickel plating
	Case	PBT resin	(Black)
	Rear Case	PBT resin	(Black)
	Clamper	Steel	Plating steel plate

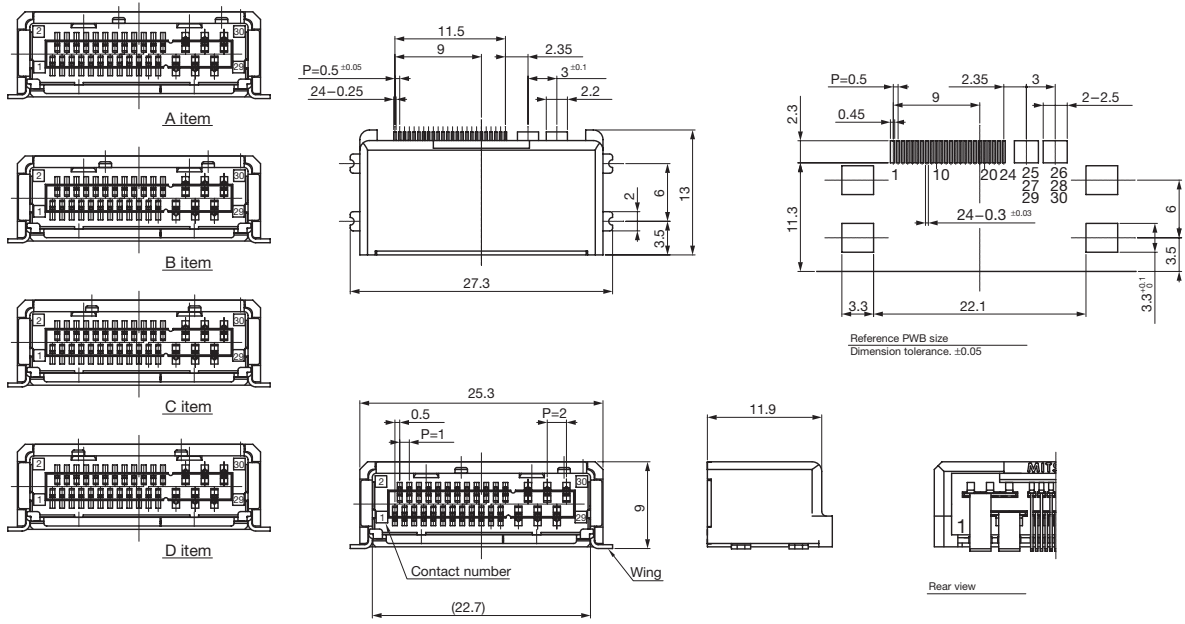
DIMENSIONS

IAM-G63



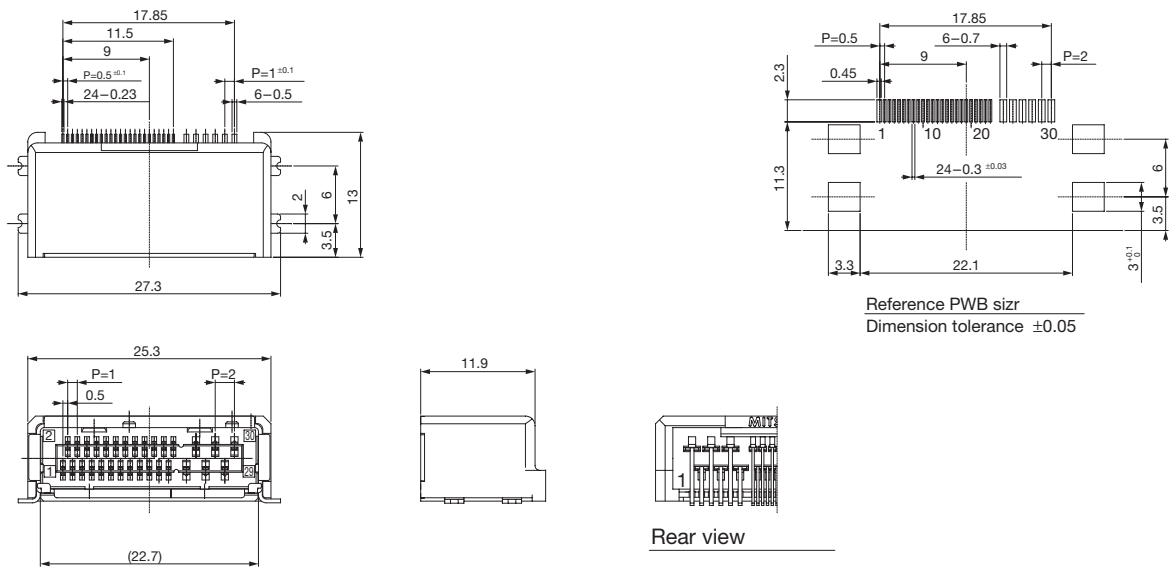
Unit : mm

CAM-G62 (26 pins)



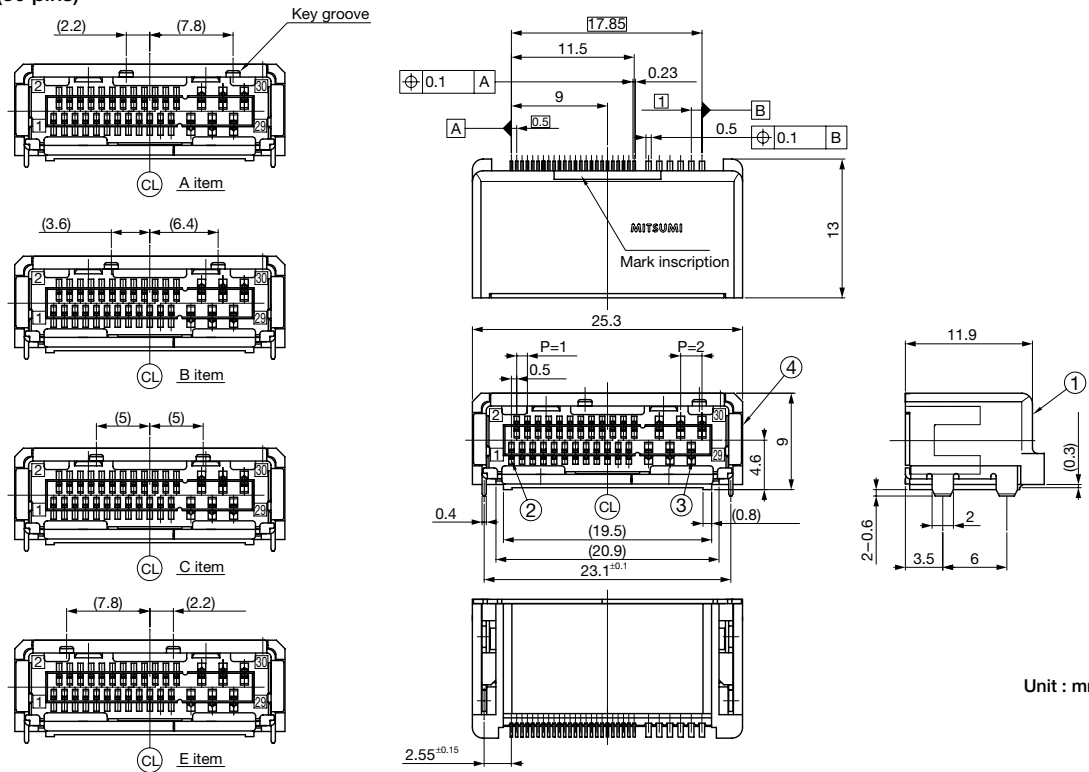
Unit : mm

CAM-G62 (30 pins)

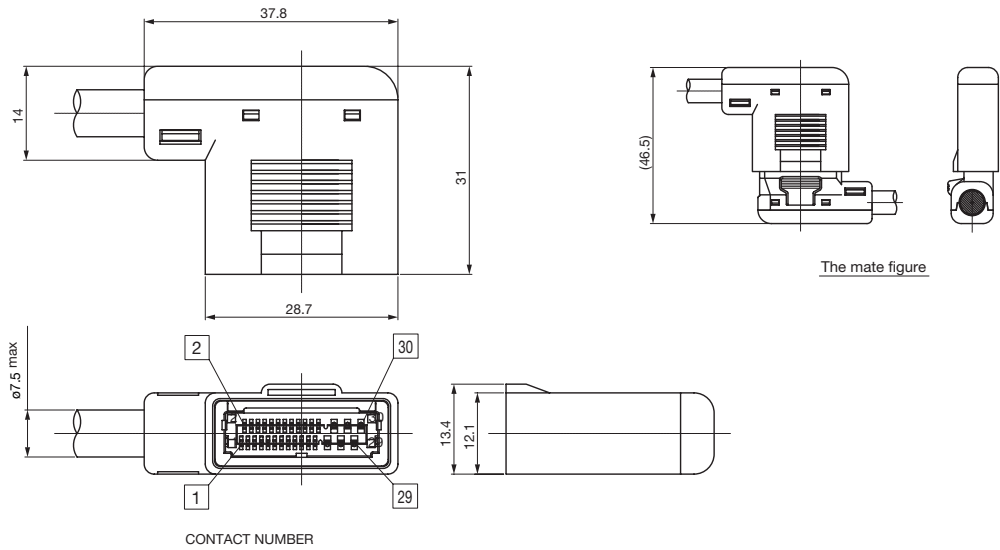


Unit : mm

CAM-G62B (30 pins)

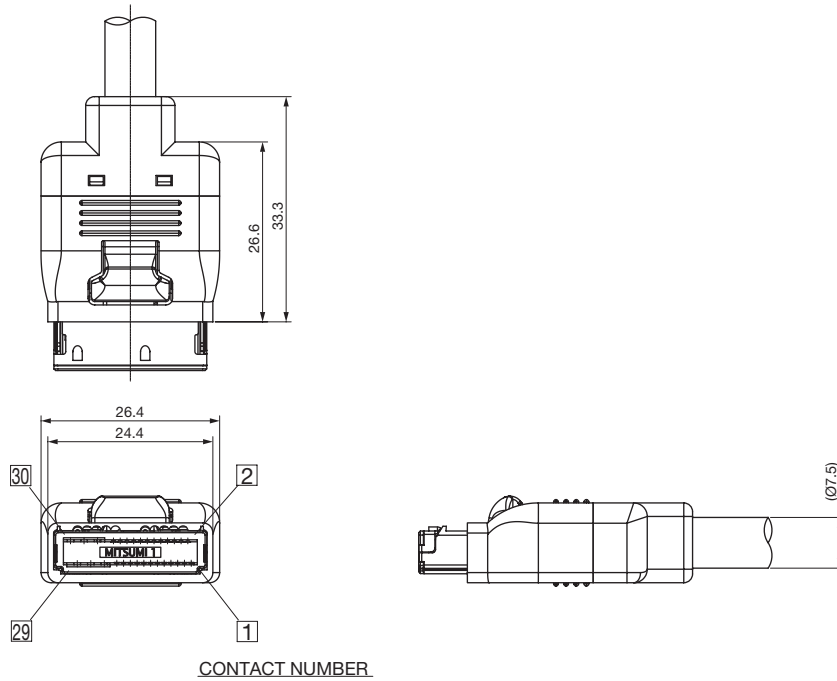


IAM-G89



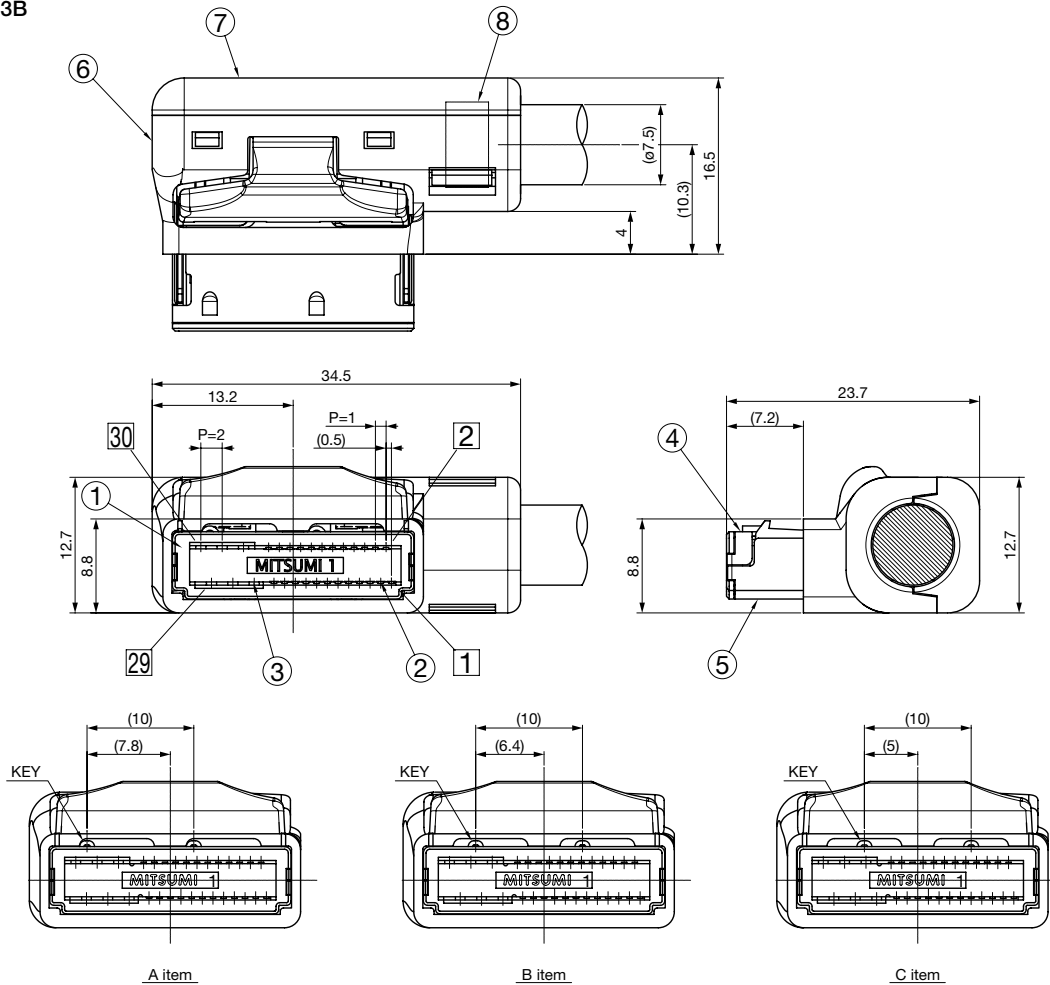
Unit : mm

IAM-F30



IAM-F33B

Unit : mm



Unit : mm