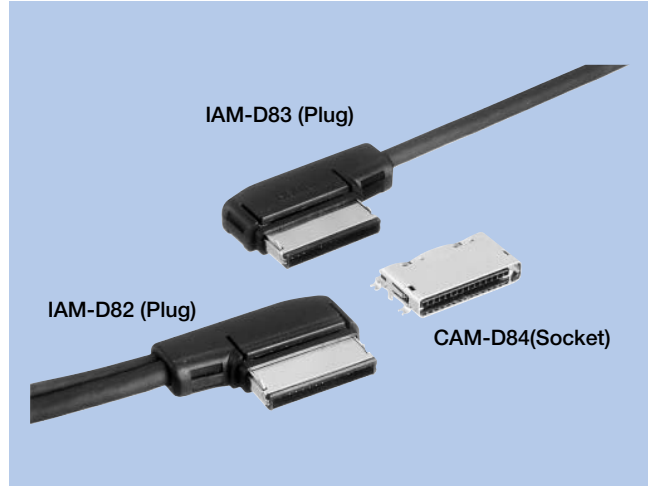


Rectangular Connectors IAM-D82·D83, CAM-D84

FEATURES

- These are 15 pins external interface connectors.
IAM-D82, D83 is a cable assembly plug, and CAM-D84 is an SMT socket.
- This long-life connector can withstand 5,000 times coupling/decoupling cycle life and has a one-touch locking mechanism. It has a thin style to allow it to be used in low-profile sets.



HOW TO ORDER

1. IAM-D82 (Plug)

D82-□□□-**9408**□
1 2 3 4

- Series No. (D82)
- No. of contacts (013 : 13pins)
(015 : 15pins)
- Product Specifications
- Item
A : 13pins
B : 15pins

2. IAM-D83 (Plug)

D83-□□□-**4727**□
1 2 3 4

- Series No. (D83)
- No. of contacts (015 : 15pins)
- Product Specifications
- Item
A : 13pins
B : 15pins

3. CAM-D84 (Socket)

D84-□□□-**050-BGGAA**
1 2 3 4 5 6 7 8 9

- Series No. (D84)
- No. of contacts (013 : 13pins)
(015 : 15pins)
- Housing material (05 : Nylon resin)
- UL Grade (0 : UL 94V-0)
- Contact pin plating types (B: Gold)
- Contact pin plating thickness (G : 0.3μm)
- Contact pin lead profile (G : Angle SMT)
- Attachment on connector fitting side (A : None)
- Attachment on connector PCB side (A : None)

SPECIFICATIONS

ELECTRICAL CHARACTERISTICS

Rated Voltage	24V DC
Rated Current	0.5A
Withstanding Voltage	500V AC (rms) 1minute
Insulation Resistance	100MΩ min. (at 500V DC)
Contact Resistance	100mΩ max.

MECHANICAL CHARACTERISTICS

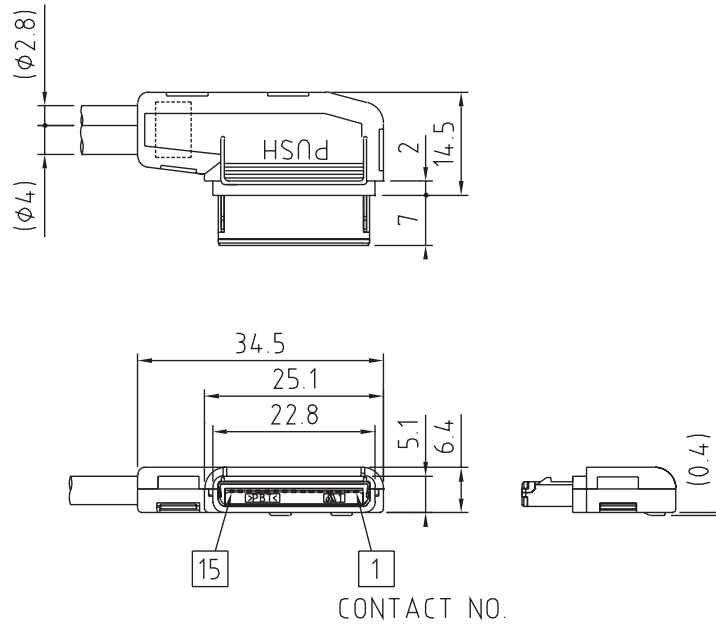
Life (Matching Cycle)	5,000 times
Total Insertion Force	29.4N (3kgf) max.
Total Withdrawal Force	0.98~29.4N (0.1~3kgf) max.
Using Temperature Range	-30~+85°C

MATERIAL & FINISH

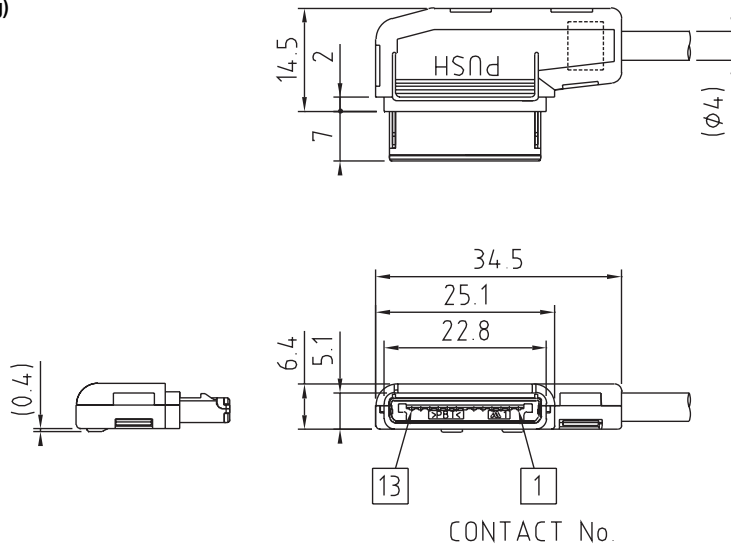
Component Parts		Material	Finish
IAM-D82-D83	Housing	PBT resin	—
	Contact	Copper Alloy	Gold plating
	Shielded Case	Brass	Nickel plating
	Case	PBT resin	—
	Board Lock	Stainless	—
	Cord Clamper	Steel	—
CAM-D84	Housing	Nylon resin	—
	Contact	Copper Alloy	Gold plating
	Shielded Case	Stainless	Copper-tin plating

DIMENSIONS

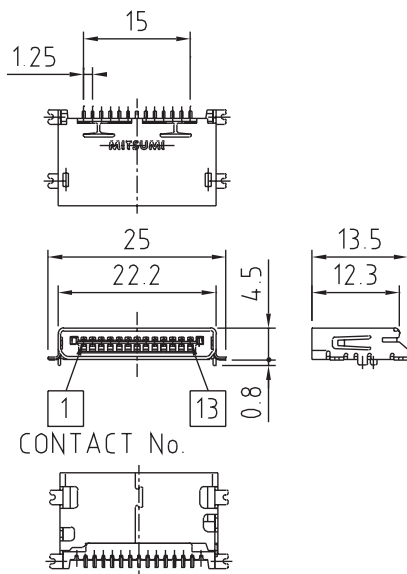
IAM-D82 (Plug)



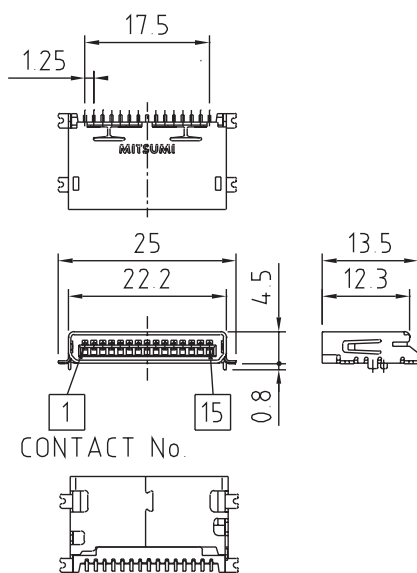
IAM-D83 (Plug)



CAM-D84 (13 pins : Socket)



CAM-D84 (15 pins : Socket)



Unit: mm