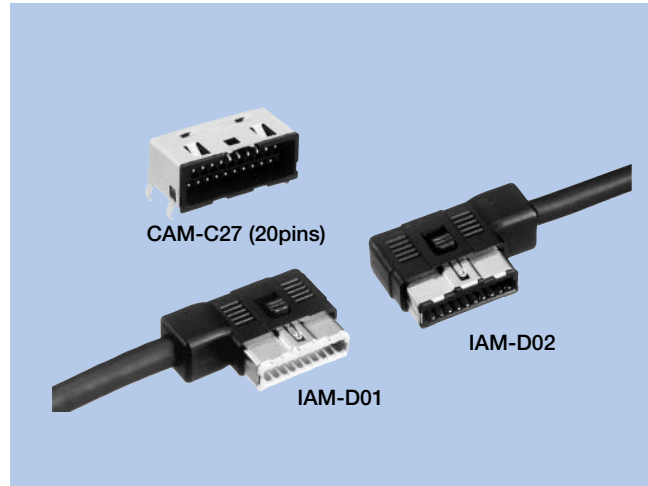


Rectangular Connectors IAM-D01 · D02, CAM-C27 · C68

FEATURES

1. These are external interface connectors for 20 pins. IAM-D01 and D02 are cable assembly type L plugs (D01 : right out ; D02 : left out). There are two types of sockets: CAM-C27, the angle dip type, and CAM-C68, the angle SMT type.
2. The coupling/decoupling cycle life is 10,000 times and a one-touch locking mechanism is used. The unit is also thin and the area occupied by the circuit board is small. Occupation ratio : Approx. 63% (MITSUMI comparison).



HOW TO ORDER

1. IAM-D01

D01-020-2063

1 2 3 4

- 1 Series No.
- 2 No. of contacts (020 : 20pins)
- 3 Running No. assigned by us
- 4 Housing Color (A : Black, B : Sky blue, C : Green)

2. IAM-D02

D02-020-2022

1 2 3 4

- 1 Series No.
- 2 No. of contacts (020 : 20pins)
- 3 Running No. assigned by us
- 4 Housing Color (A : Black, B : Sky blue, C : Green)

3. CAM-C27

C27-020-020-BGBAA
 1 2 3

- 1 Series No.
- 2 No. of contacts (020 : 20pins)
- 3 Connector style (A : Black, B : Sky blue, C : Green)

4. CAM-C68

C68-020-050-BGBAA
 1 2 3

- 1 Series No.
- 2 No. of contacts (020 : 20pins)
- 3 Connector style (A : Black, B : Sky blue, C : Green)

SPECIFICATIONS

ELECTRICAL CHARACTERISTICS

Rated Voltage	14V DC
Rated Current	1A
Withstanding Voltage	AC 500V (rms) 1minute
Insulation Resistance	100MΩ min. (at 500V DC)
Contact Resistance	100mΩ max.

MECHANICAL CHARACTERISTICS

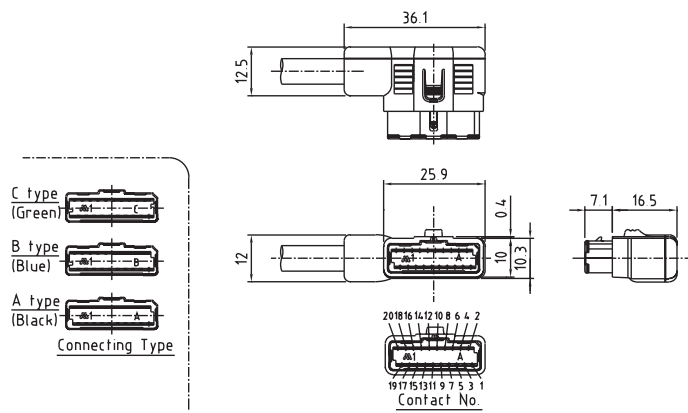
Life (Matching Cycle)	10,000 times
Total Insertion Force	29.4N (3kgf) min.
Total Withdrawal Force	1.96~29.4N (0.2~3kgf)
Using Temperature Range	-30~+85°C

MATERIAL & FINISH

Component Parts		Material	Finish
IAM-D01 • D02	Housing	PBT resin	—
	Contact	Copper Alloy	Gold plating
	Shielded Case	Steel	Nickel plating
	Case	PBT resin	—
	Locks	Copper Alloy	Nickel plating
	Cord Clamper	Aluminum	—
CAM-C27	Housing	PBT resin	—
	Contact	Copper Alloy	Gold plating
	Shielded Case	Copper Alloy	Tin reflow plating
CAM-C68	Housing	46 Nylon resin	—
	Contact	Copper Alloy	Gold plating
	Shielded Case	Copper Alloy	Tin reflow plating

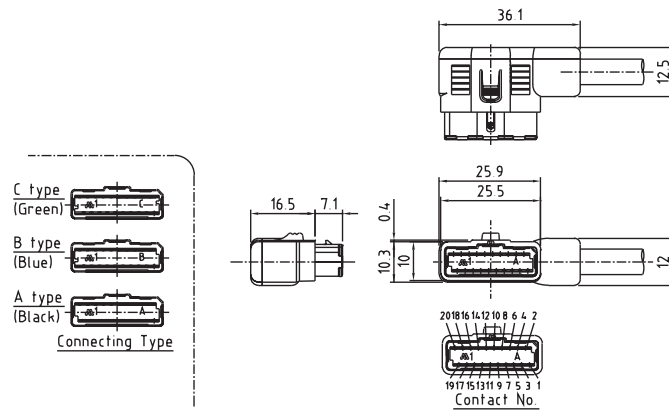
DIMENSIONS

IAM-D01

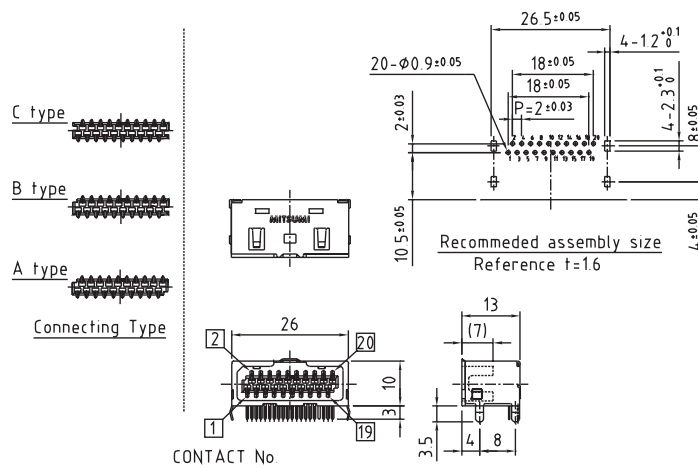


Unit : mm

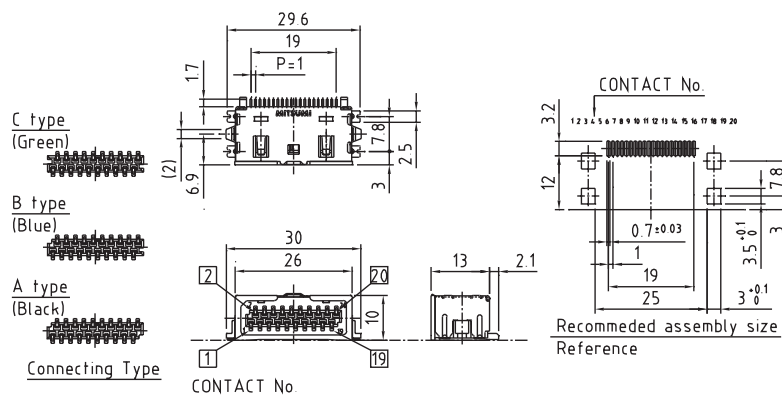
IAM-D02



CAM-C27 (20pins)



CAM-C68



Unit : mm