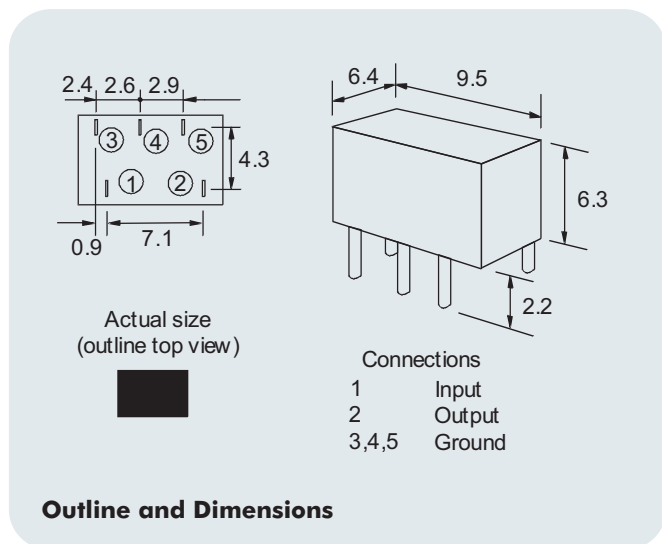


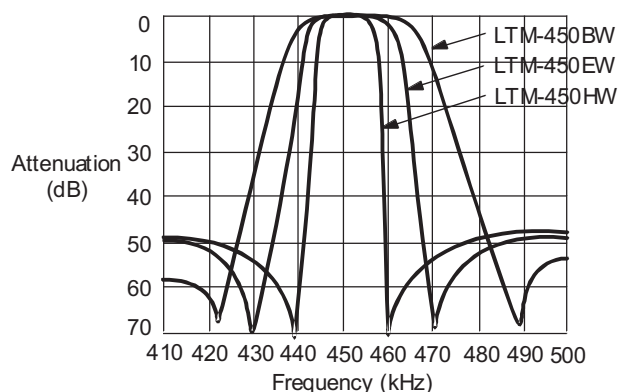
- High selectivity type ceramic filters
- A variety of bandwidths available
- Easily mounted to PCB
- Miniature size

6 Element

SPECIFICATION



Frequency v. Attenuation Characteristics



ELECTRICAL CHARACTERISTICS

Part Number	Centre Frequency (kHz)	Insertion Loss (dB max.)	Pass Band Ripple (dB max.)	6dB Bandwidth (kHz min.)	50dB Bandwidth (kHz min.)	Stop Band Att. ± 100 kHz (dB min.)	Input/Output Impedance (Ω)
LTM 450BW	450 \pm 2	4	2	± 15	± 30	45	1500
LTM 450CW	450 \pm 2	4	2	± 12.5	± 24	45	1500
LTM 450DW	450 \pm 1.5	4	2	± 10	± 20	45	1500
LTM 450EW	450 \pm 1.5	6	2	± 7.5	± 15	45	1500
LTM 450FW	450 \pm 1.5	6	2	± 6	± 12.5	45	2000
LTM 450GW	450 \pm 1.5	6	2	± 4.5	± 10	45	2000
LTM 450HW	450 \pm 1.0	6	2	± 3	± 9	55	2000
LTM 450IW	450 \pm 1.0	6	2	± 2	± 7.5	55	2000
LTM 450HTW	450 \pm 1.0	6	2	± 3	± 9	60	2000
LTM 450ITW	450 \pm 1.0	6	2	± 2	± 7.5	60	2000

TEST CIRCUIT

