

Ultra small size high selectivity type ceramic filter for communication use.

## FEATURES

- Ultra small size
- 6.5 mm profile
- Bandwidths from 4KHz to 30KHz available
- RoHS Compliant (Note 7 exemption)
- 4 elements

## OPERATING CONDITIONS/ELECTRICAL CHARACTERISTICS

| PART NUMBER | CENTER FREQUENCY (KHz) | INSERTION LOSS (dB) MAX. | PASS BAND RIPPLE (dB) MAX. | 6 dB BANDWIDTH (KHz) MIN. | 40 dB BANDWIDTH (dB) MAX. | STOP BAND ATT. ±100KHZ (dB) MIN. | INPUT / OUTPUT IMPEDANCE (Ω) |
|-------------|------------------------|--------------------------|----------------------------|---------------------------|---------------------------|----------------------------------|------------------------------|
| LTM455BU    | 455 ±2.0               | 4                        | 2                          | ±15                       | ±30                       | 27                               | 1500                         |
| LTM455CU    | 455 ±2.0               | 4                        | 2                          | ±12.5                     | ±24                       | 27                               | 1500                         |
| LTM455DU    | 455 ±1.5               | 4                        | 2                          | ±10                       | ±20                       | 27                               | 1500                         |
| LTM455EU    | 455 ±1.5               | 6                        | 2                          | ±7.5                      | ±15                       | 27                               | 1500                         |
| LTM455FU    | 455 ±1.5               | 6                        | 2                          | ±6                        | ±12.5                     | 27                               | 2000                         |
| LTM455GU    | 455 ±1.0               | 6                        | 2                          | ±4.5                      | ±10                       | 25                               | 2000                         |
| LTM455HU    | 455 ±1.0               | 6                        | 2                          | ±3                        | ±9                        | 25                               | 2000                         |
| LTM455IU    | 455 ±1.0               | 6                        | 2                          | ±2                        | ±7.5                      | 25                               | 2000                         |
| LTM455HTU   | 455 ±1.0               | 6                        | 2                          | ±3                        | ±9                        | 35                               | 2000                         |
| LTM455ITU   | 455 ±1.0               | 6                        | 2                          | ±2                        | ±7.5                      | 35                               | 2000                         |

## PACKAGE DIMENSIONS (mm)

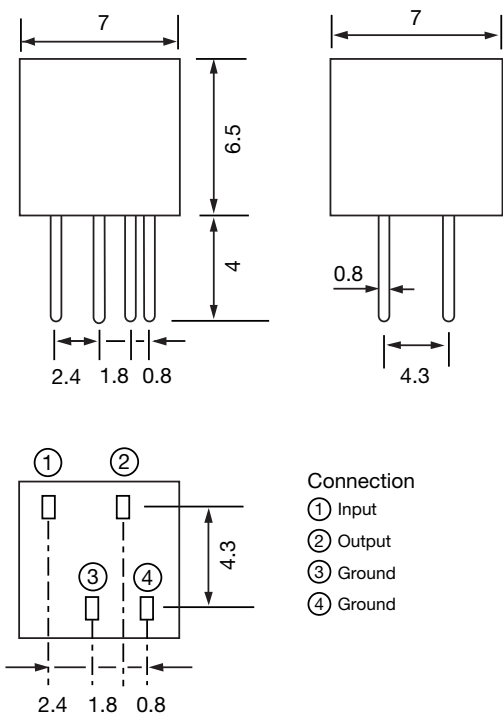


Figure 1) LTM455U – Front, Side and Bottom views

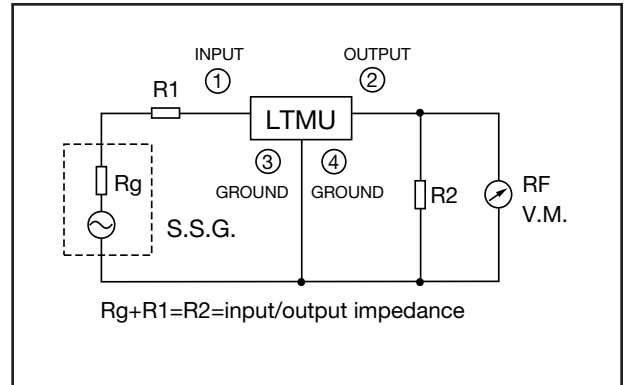


Figure 2) LTM455U – Measuring Circuit

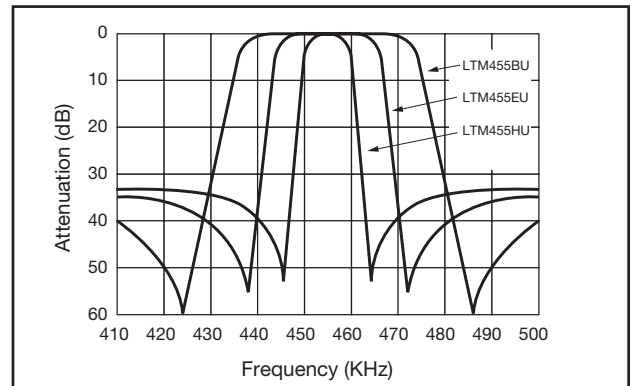


Figure 3) LTM455U – Characteristics

Note: To avoid potential problems, connect the output to an IF amplifier through a DC cut capacitor.  
Avoid applying a direct current to output end of the ceramic filters (between ③ and ①②).