



Filters

Communication - LTM 455/450 Ceramic Filter / 陶瓷滤波器

LTM 455/450 U/W Filter are miniaturized versions of the Murata CFU/CFWS lines. These compact, highly selective characteristics are recommended for use in applications ranging from two-way radio to auxiliary filters in high class transceivers. These ultra-miniature versions consume approximately 40% less volume while still offering the same high performance filter characteristics.

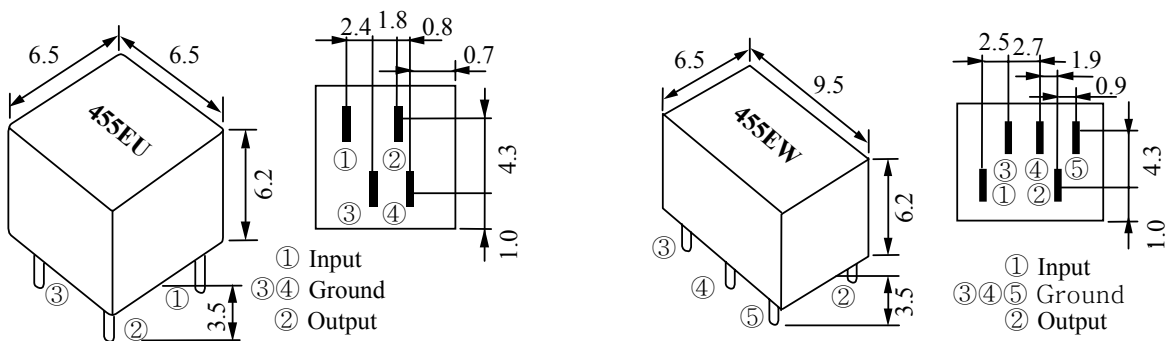
► **LTM 455/450 U/W for Communication (Murata CFUM/WM 455/450 Compatible) 455 kHz / 450 kHz**

LTM 455/450 U/W Filters Technical Characteristics

Part Number		Center Frequency (kHz)	Insertion Loss (dB) max	Pass Band Ripple (dB) max	6dB Band Width (kHz) min	40dB Band Width (kHz) max	50dB Band Width (kHz) max	Spurious Attenuation fo±100kHz (dB) min		Input / Output Impedance (Ω)
								(LTM 455 U)	(LTM 455 W)	
LTM455AU	LTM455AW	455±2.0	4	2	±17.5	±40	±35	28	40	1000
LTM455BU	LTM455BW	455±2.0	4	2	±15	±30	±30	28	40	1500
LTM455CU	LTM455CW	455±2.0	4	2	±12.5	±24	±24	28	40	1500
LTM455DU	LTM455DW	455±1.5	4	2	±10	±20	±20	28	40	1500
LTM455EU	LTM455EW	455±1.5	6	2	±7.5	±15	±15	28	40	1500
LTM455FU	LTM455FW	455±1.5	6	2	±6	±12.5	±12.5	28	40	2000
LTM455GU	LTM455GW	455±1.5	6	2	±4.5	±10	±10	28	40	2000
LTM455HU	LTM455HW	455±1.0	6	2	±3	±9	±9	28	40	2000
LTM455IU	LTM455IW	455±1.0	6	2	±2	±7.5	±7.5	28	40	2000
LT M455HTU	LT M455HTW	455±1.0	6	2	±3	±9	±9	35	60	2000

• Center frequency 450KHz is also available.

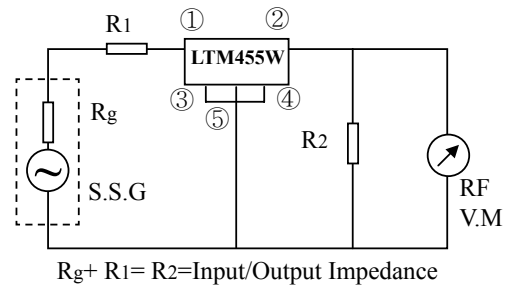
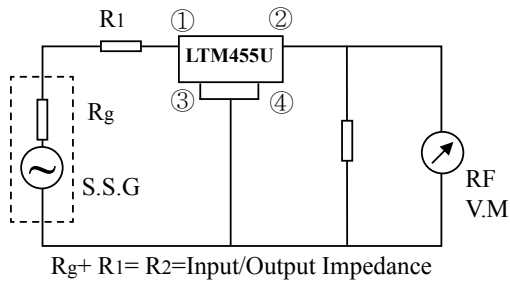
► **Ceramic LTM 455/450 U/W Filter Dimensions**



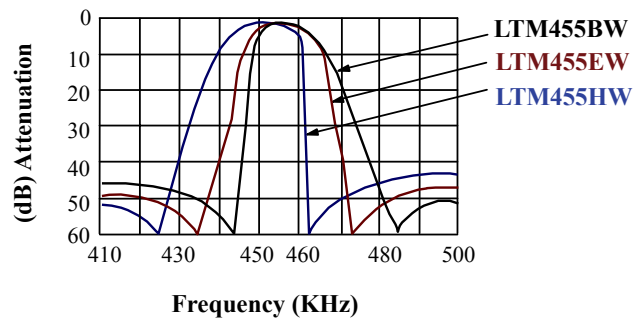
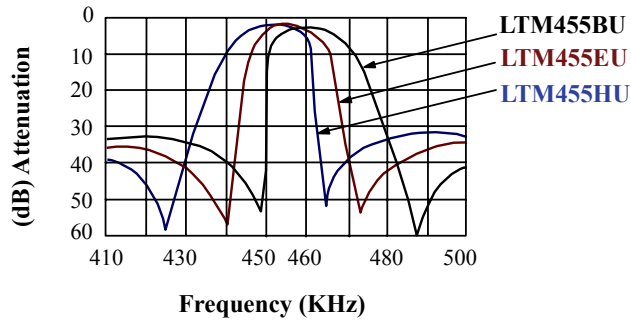


Filters

► Ceramic LTM 455/450 U/W Filter Test Circuit



► Ceramic LTM 455/450 U/W Filter Characteristics



► How to Order

LTM455BU - P
❶ ❷

- ❶ Part Number
- ❷ Packaging

