



Low Power/Voltage CMOS SRAM 512K X 8 bit

BS62LV4005

FEATURES

- Vcc operation voltage : 4.5V ~ 5.5V
- Low power consumption
Vcc = 5.0V C-grade: 45mA (Max.) operating current
I-grade: 50mA (Max.) operating current
1.5uA (Typ.) CMOS standby current
- High speed access time :
-70 70ns (Max.) at Vcc = 5.0V
-55 55ns (Max.) at Vcc = 5.0V
- Automatic power down when chip is deselected
- Three state outputs and TTL compatible
- Fully static operation
- Data retention supply voltage as low as 1.5V
- Easy expansion with \overline{CE} and \overline{OE} options

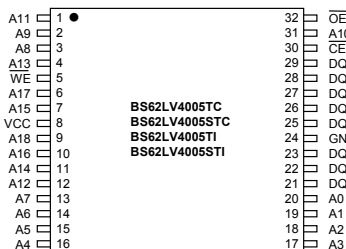
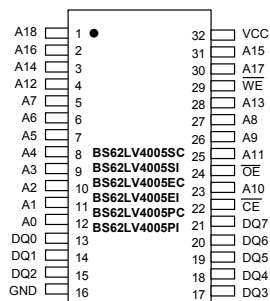
PRODUCT FAMILY

| PRODUCT FAMILY | OPERATING TEMPERATURE | Vcc RANGE | SPEED (ns) | POWER DISSIPATION | | PKG TYPE |
|----------------|-----------------------|-------------|------------|-----------------------|----------------------|----------|
| | | | | STANDBY (IccSB1, Max) | Operating (Icc, Max) | |
| | | | | Vcc = 5.0V | Vcc = 5.0V | |
| BS62LV4005SC | +0° C to +70° C | 4.5V ~ 5.5V | 55 / 70 | 15uA | 45mA | SOP-32 |
| BS62LV4005EC | | | | | | TSOP2-32 |
| BS62LV4005TC | | | | | | TSOP-32 |
| BS62LV4005STC | | | | | | STSOP-32 |
| BS62LV4005PC | | | | | | PDIP-32 |
| BS62LV4005SI | -40° C to +85° C | 4.5V ~ 5.5V | 55 / 70 | 25uA | 50mA | SOP-32 |
| BS62LV4005EI | | | | | | TSOP2-32 |
| BS62LV4005TI | | | | | | TSOP-32 |
| BS62LV4005STI | | | | | | STSOP-32 |
| BS62LV4005PI | | | | | | PDIP-32 |

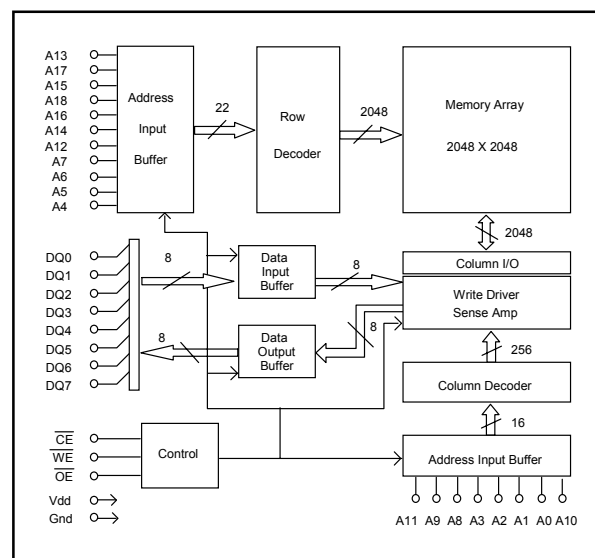
GENERAL DESCRIPTION

The BS62LV4005 is a high performance, low power CMOS Static Random Access Memory organized as 524,288 words by 8 bits and operates from a wide range of 4.5V to 5.5V supply voltage. Advanced CMOS technology and circuit techniques provide both high speed and low power features with maximum access time of 55/ 70ns in 5V operation. Easy memory expansion is provided by active LOW chip enable (\overline{CE}), active LOW output enable (\overline{OE}) and three-state output drivers. The BS62LV4005 has an automatic power down feature, reducing the power consumption significantly when chip is deselected. The BS62LV4005 is available in the JEDEC standard 32 pin SOP, TSOP, TSOP II and STSOP.

PIN CONFIGURATIONS



FUNCTIONAL BLOCK DIAGRAM



Brilliance Semiconductor Inc. reserves the right to modify document contents without notice.

■ PIN DESCRIPTIONS

| Name | Function |
|--|--|
| A0-A18 Address Input | These 19 address inputs select one of the 524,288 x 8-bit words in the RAM |
| $\overline{\text{CE}}$ Chip Enable Input | $\overline{\text{CE}}$ is active LOW. Chip enable must be active when data read from or write to the device. If chip enable is not active, the device is deselected and is in a standby power mode. The DQ pins will be in the high impedance state when the device is deselected. |
| $\overline{\text{WE}}$ Write Enable Input | The write enable input is active LOW and controls read and write operations. With the chip selected, when $\overline{\text{WE}}$ is HIGH and $\overline{\text{OE}}$ is LOW, output data will be present on the DQ pins; when $\overline{\text{WE}}$ is LOW, the data present on the DQ pins will be written into the selected memory location. |
| $\overline{\text{OE}}$ Output Enable Input | The output enable input is active LOW. If the output enable is active while the chip is selected and the write enable is inactive, data will be present on the DQ pins and they will be enabled. The DQ pins will be in the high impedance state when $\overline{\text{OE}}$ is inactive. |
| DQ0-DQ7 Data Input/Output Ports | These 8 bi-directional ports are used to read data from or write data into the RAM. |
| Vcc | Power Supply |
| Gnd | Ground |

■ TRUTH TABLE

| MODE | $\overline{\text{WE}}$ | $\overline{\text{CE}}$ | $\overline{\text{OE}}$ | I/O OPERATION | Vcc CURRENT |
|-----------------|------------------------|------------------------|------------------------|---------------|-------------------------------------|
| Not selected | X | H | X | High Z | $I_{\text{CCSB}}, I_{\text{CCSB1}}$ |
| Output Disabled | H | L | H | High Z | I_{CC} |
| Read | H | L | L | DOUT | I_{CC} |
| Write | L | L | X | DIN | I_{CC} |

■ ABSOLUTE MAXIMUM RATINGS⁽¹⁾

| SYMBOL | PARAMETER | RATING | UNITS |
|--------|--------------------------------------|-------------|-------|
| V TERM | Terminal Voltage with Respect to GND | -0.5 to 6.0 | V |
| T BIAS | Temperature Under Bias | -40 to +125 | °C |
| T STG | Storage Temperature | -60 to +150 | °C |
| P T | Power Dissipation | 1.0 | W |
| I OUT | DC Output Current | 20 | mA |

1. Stresses greater than those listed under ABSOLUTE MAXIMUM RATINGS may cause permanent damage to the device. This is a stress rating only and functional operation of the device at these or any other conditions above those indicated in the operational sections of this specification is not implied. Exposure to absolute maximum rating conditions for extended periods may affect reliability.

■ OPERATING RANGE

| RANGE | AMBIENT TEMPERATURE | Vcc |
|------------|---------------------|----------|
| Commercial | 0°C to +70°C | 4.5~5.5V |
| Industrial | -40°C to +85°C | 4.5~5.5V |

■ CAPACITANCE⁽¹⁾ (TA = 25°C, f = 1.0 MHz)

| SYMBOL | PARAMETER | CONDITIONS | MAX. | UNIT |
|--------|--------------------------|------------|------|------|
| CIN | Input Capacitance | VIN=0V | 6 | pF |
| CDQ | Input/Output Capacitance | V/I=0V | 8 | pF |

1. This parameter is guaranteed and not tested.

DC ELECTRICAL CHARACTERISTICS (TA = 0 to + 70°C)

| PARAMETER NAME | PARAMETER | TEST CONDITIONS | MIN. | TYP. ⁽¹⁾ | MAX. | UNITS |
|--------------------|--|--|------|---------------------|----------------------|-------|
| V _{IL} | Guaranteed Input Low Voltage ⁽²⁾ | V _{CC} =5.0V | -0.5 | -- | 0.8 | V |
| V _{IH} | Guaranteed Input High Voltage ⁽²⁾ | V _{CC} =5.0V | 2.2 | -- | V _{CC} +0.3 | V |
| I _{IL} | Input Leakage Current | V _{CC} = Max, V _{IN} = 0V to V _{CC} | -- | -- | 1 | µA |
| I _{OL} | Output Leakage Current | V _{CC} = Max, $\overline{CE} = V_{IH}$, or $\overline{OE} = V_{IH}$, V _{I/O} = 0V to V _{CC} | -- | -- | 1 | µA |
| V _{OL} | Output Low Voltage | V _{CC} = Max, I _{OL} = 2mA | -- | -- | 0.4 | V |
| V _{OH} | Output High Voltage | V _{CC} = Min, I _{OH} = -1mA | 2.4 | -- | -- | V |
| I _{CC} | Operating Power Supply Current | $\overline{CE} = V_{IL}$, I _{DD} = 0mA, F = F _{max} ⁽³⁾ | -- | -- | 45 | mA |
| I _{CCSB} | Standby Current-TTL | $\overline{CE} = V_{IH}$, I _{DD} = 0mA | -- | -- | 2 | mA |
| I _{CCSB1} | Standby Current-CMOS | $\overline{CE} \geq V_{CC}-0.2V$, V _{IN} $\geq V_{CC} - 0.2V$ or V _{IN} $\leq 0.2V$ | -- | 1.5 | 15 | µA |

1. Typical characteristics are at T_A = 25°C.

2. These are absolute values with respect to device ground and all overshoots due to system or tester noise are included.

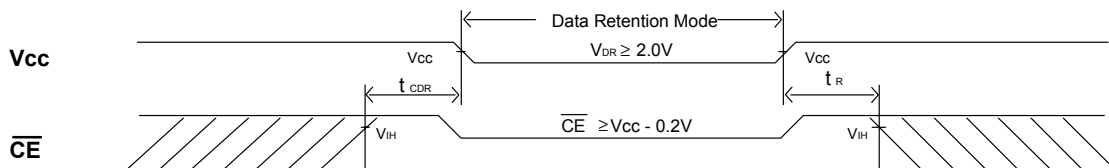
3. F_{max} = 1/t_{RC}.

DATA RETENTION CHARACTERISTICS (TA = 0 to + 70°C)

| SYMBOL | PARAMETER | TEST CONDITIONS | MIN. | TYP. ⁽¹⁾ | MAX. | UNITS |
|-------------------|--------------------------------------|---|--------------------------------|---------------------|------|-------|
| V _{DR} | V _{CC} for Data Retention | $\overline{CE} \geq V_{CC} - 0.2V$ V _{IN} $\geq V_{CC} - 0.2V$ or V _{IN} $\leq 0.2V$ | 1.5 | -- | -- | V |
| I _{CCDR} | Data Retention Current | $\overline{CE} \geq V_{CC} - 0.2V$ V _{IN} $\geq V_{CC} - 0.2V$ or V _{IN} $\leq 0.2V$ | -- | 0.1 | 1.5 | µA |
| t _{CDR} | Chip Deselect to Data Retention Time | See Retention Waveform | 0 | -- | -- | ns |
| t _R | Operation Recovery Time | | T _{RC} ⁽²⁾ | -- | -- | ns |

1. V_{CC} = 1.5V, T_A = + 25°C

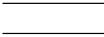




2. t_{RC} = Read Cycle Time

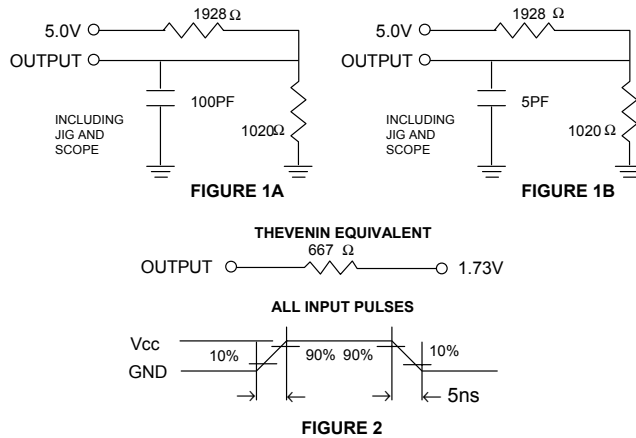
LOW V_{CC} DATA RETENTION WAVEFORM (\overline{CE} Controlled)


■ AC TEST CONDITIONS

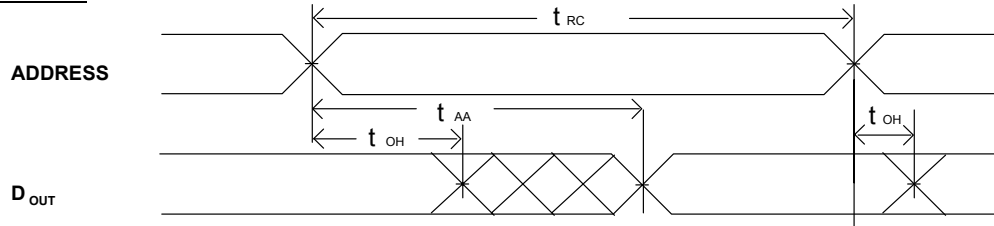
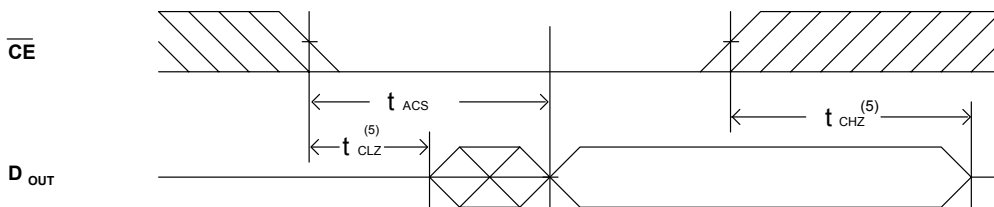
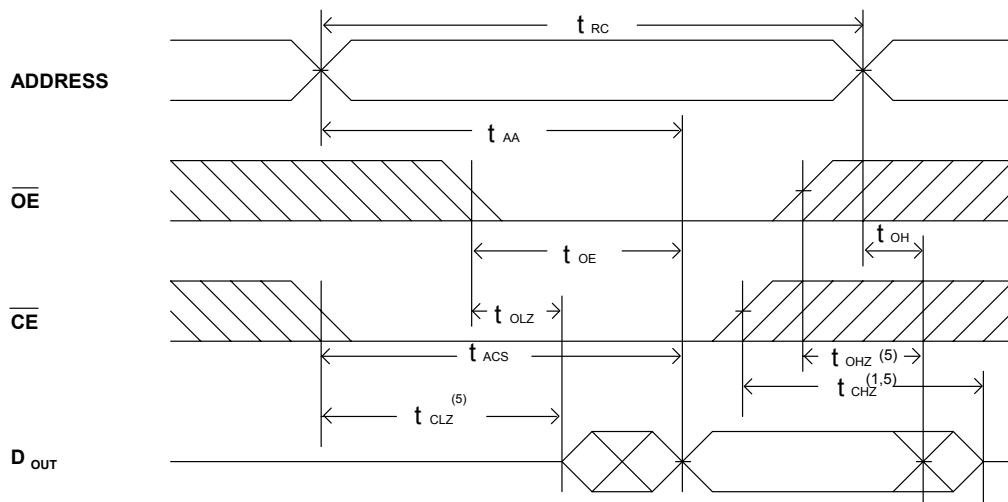
| | |
|---|--------------------|
| Input Pulse Levels | V _{cc} /0 |
| Input Rise and Fall Times | 5ns |
| Input and Output Timing Reference Level | 0.5V _{cc} |

■ KEY TO SWITCHING WAVEFORMS

| WAVEFORM | INPUTS | OUTPUTS |
|--|----------------------------------|---|
|  | MUST BE STEADY | MUST BE STEADY |
|  | MAY CHANGE FROM H TO L | WILL BE CHANGE FROM H TO L |
|  | MAY CHANGE FROM L TO H | WILL BE CHANGE FROM L TO H |
|  | DON'T CARE: ANY CHANGE PERMITTED | CHANGE: STATE UNKNOWN |
|  | DOES NOT APPLY | CENTER LINE IS HIGH IMPEDANCE "OFF" STATE |

■ AC TEST LOADS AND WAVEFORMS

■ AC ELECTRICAL CHARACTERISTICS (T_A = 0 to + 70°C , V_{cc} = 5.0V)
READ CYCLE

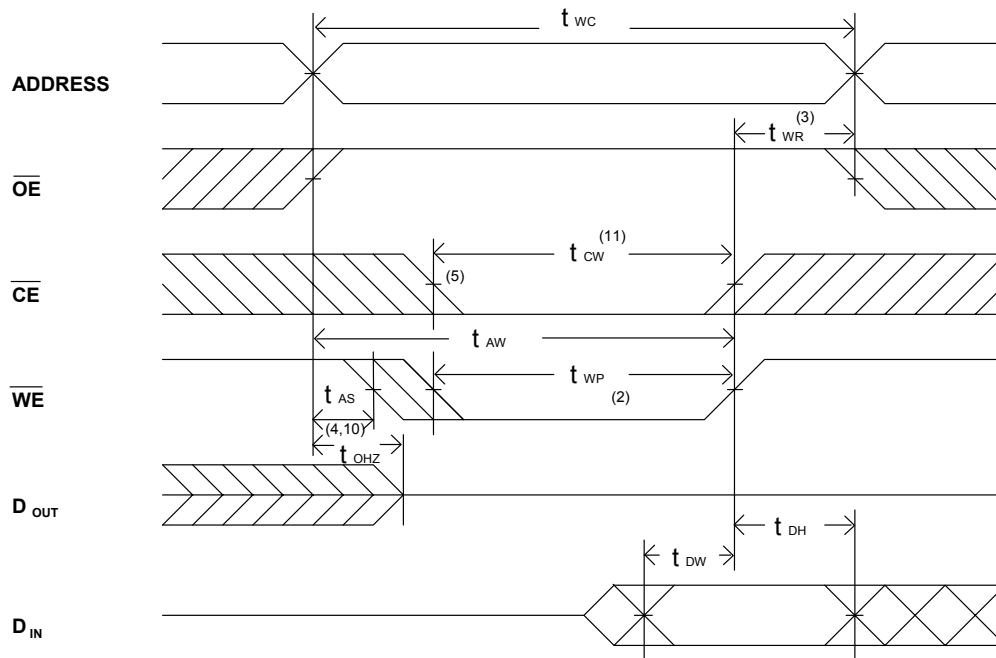
| JEDEC PARAMETER NAME | PARAMETER NAME | DESCRIPTION | BS62LV4005-55 | | | BS62LV4005-70 | | | UNIT |
|----------------------|------------------|---|---------------|------|------|---------------|------|------|------|
| | | | MIN. | TYP. | MAX. | MIN. | TYP. | MAX. | |
| t _{AVAX} | t _{RC} | Read Cycle Time | 55 | -- | -- | 70 | -- | -- | ns |
| t _{AVQV} | t _{AA} | Address Access Time | -- | -- | 55 | -- | -- | 70 | ns |
| t _{ELQV} | t _{ACS} | Chip Select Access Time | -- | -- | 55 | -- | -- | 70 | ns |
| t _{GLQV} | t _{OE} | Output Enable to Output Valid | -- | -- | 30 | -- | -- | 35 | ns |
| t _{ELQX} | t _{CLZ} | Chip Select to Output Low Z | 10 | -- | -- | 10 | -- | -- | ns |
| t _{GLQX} | t _{OLZ} | Output Enable to Output in Low Z | 10 | -- | -- | 10 | -- | -- | ns |
| t _{EHQZ} | t _{CHZ} | Chip Deselect to Output in High Z | 0 | -- | 30 | 0 | -- | 35 | ns |
| t _{GHQZ} | t _{OHZ} | Output Disable to Output in High Z | 0 | -- | 25 | 0 | -- | 30 | ns |
| t _{AXOX} | t _{OH} | Output Disable to Output Address Change | 10 | -- | -- | 10 | -- | -- | ns |

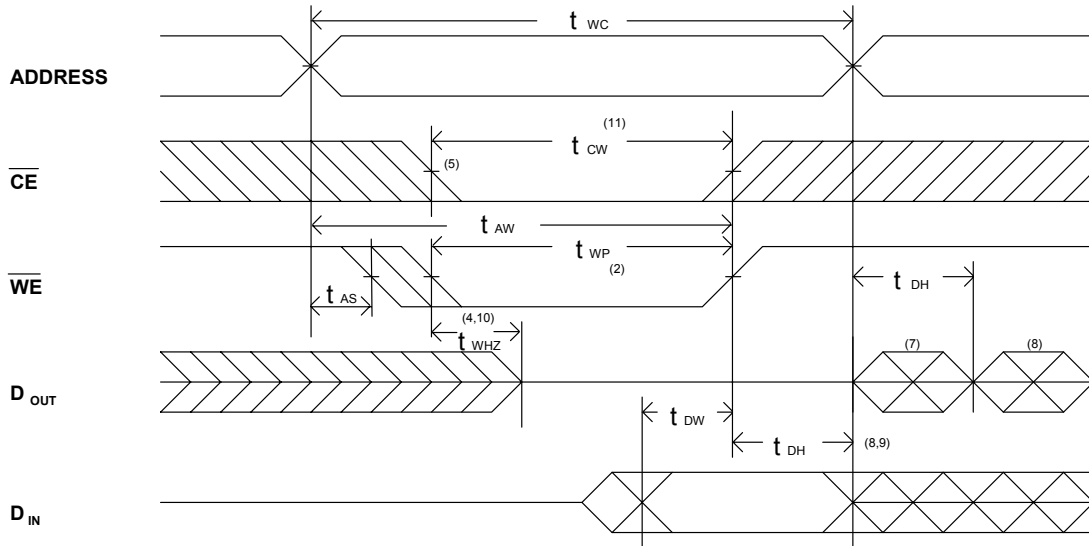
SWITCHING WAVEFORMS (READ CYCLE)
READ CYCLE1 (1,2,4)

READ CYCLE2 (1,3,4)

READ CYCLE3 (1,4)

NOTES:

1. \overline{WE} is high for read Cycle.
2. Device is continuously selected when $\overline{CE} = V_{IL}$.
3. Address valid prior to or coincident with \overline{CE} transition low.
4. $\overline{OE} = V_{IL}$.
5. Transition is measured $\pm 500\text{mV}$ from steady state with $C_L = 5\text{pF}$ as shown in Figure 1B. The parameter is guaranteed but not 100% tested.

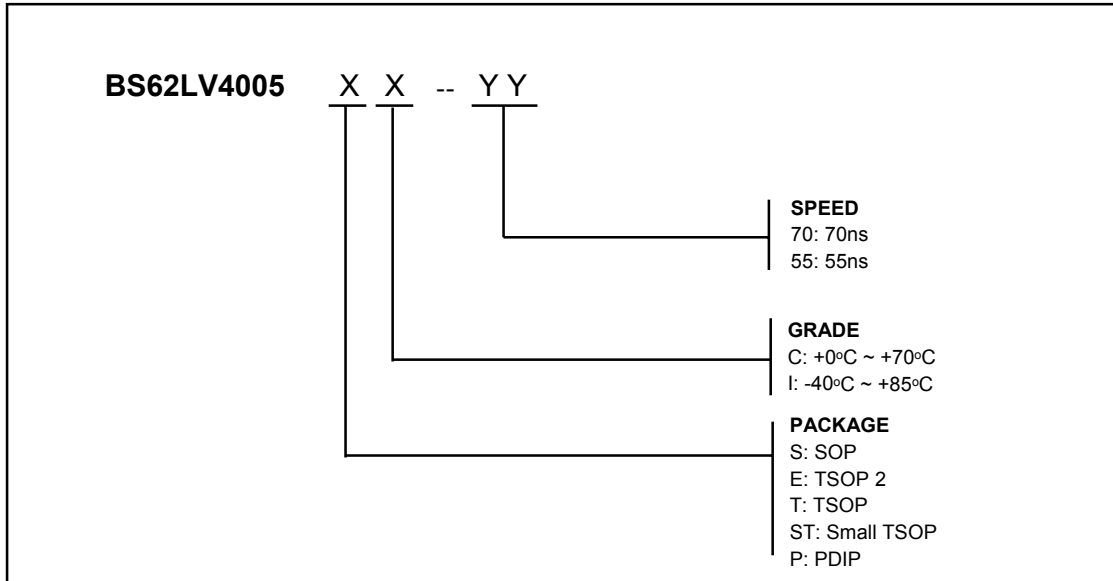
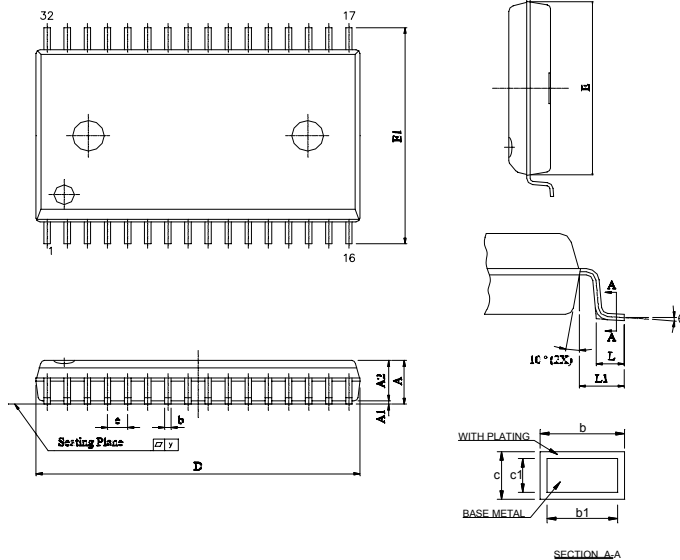
■ AC ELECTRICAL CHARACTERISTICS (TA = 0 to + 70°C , Vcc = 5.0V)
WRITE CYCLE

| JEDEC PARAMETER NAME | PARAMETER NAME | DESCRIPTION | BS62LV4005 - 55 | | | BS62LV4005 - 70 | | | UNIT |
|----------------------------|-------------------|--|-----------------|------|------|-----------------|------|------|------|
| | | | MIN. | TYP. | MAX. | MIN. | TYP. | MAX. | |
| t_{AVAX} | t_{WC} | Write Cycle Time | 55 | -- | -- | 70 | -- | -- | ns |
| t_{E1LWH} | t_{CW} | Chip Select to End of Write | 55 | -- | -- | 70 | -- | -- | ns |
| t_{AVWL} | t_{AS} | Address Set up Time | 0 | -- | -- | 0 | -- | -- | ns |
| t_{AVWH} | t_{AW} | Address Valid to End of Write | 55 | -- | -- | 70 | -- | -- | ns |
| t_{WLWH} | t_{WP} | Write Pulse Width | 30 | -- | -- | 35 | -- | -- | ns |
| t_{WHAX} | t_{WR} | Write Recovery Time (\overline{CE} , \overline{WE}) | 0 | -- | -- | 0 | -- | -- | ns |
| t_{WLOZ} | t_{WHZ} | Write to Output in High Z | 0 | -- | 25 | 0 | -- | 30 | ns |
| t_{DVWH} | t_{DW} | Data to Write Time Overlap | 25 | -- | -- | 30 | -- | -- | ns |
| t_{WHDX} | t_{DH} | Data Hold from Write Time | 0 | -- | -- | 0 | -- | -- | ns |
| t_{GHOZ} | t_{OHZ} | Output Disable to Output in High Z | 0 | -- | 25 | 0 | -- | 30 | ns |
| t_{WHQX} | t_{OW} | End of Write to Output Active | 5 | -- | -- | 5 | -- | -- | ns |

■ SWITCHING WAVEFORMS (WRITE CYCLE)
WRITE CYCLE1 ⁽¹⁾


WRITE CYCLE2 (1,6)

NOTES:

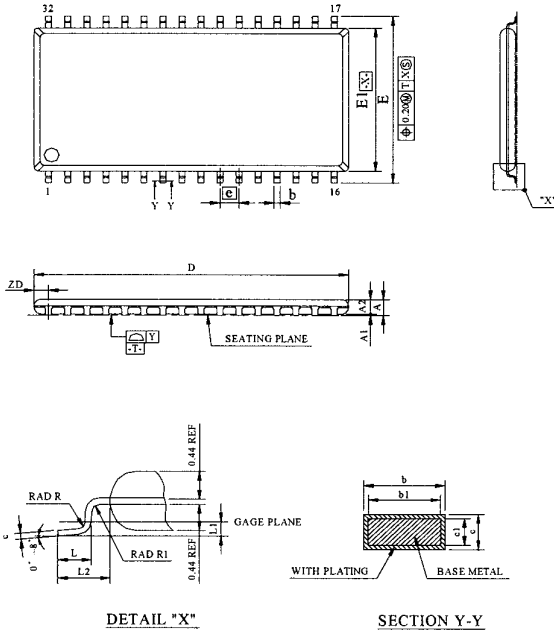
1. \overline{WE} must be high during address transitions.
2. The internal write time of the memory is defined by the overlap of \overline{CE} and \overline{WE} low. All signals must be active to initiate a write and any one signal can terminate a write by going inactive. The data input setup and hold timing should be referenced to the second transition edge of the signal that terminates the write.
3. T_{WR} is measured from the earlier of \overline{CE} or \overline{WE} going high at the end of write cycle.
4. During this period, DQ pins are in the output state so that the input signals of opposite phase to the outputs must not be applied.
5. If the \overline{CE} low transition occurs simultaneously with the \overline{WE} low transitions or after the \overline{WE} transition, output remain in a high impedance state.
6. OE is continuously low ($OE = V_{IL}$).
7. D_{OUT} is the same phase of write data of this write cycle.
8. D_{OUT} is the read data of next address.
9. If \overline{CE} is low during this period, DQ pins are in the output state. Then the data input signals of opposite phase to the outputs must not be applied to them.
10. Transition is measured $\pm 500mV$ from steady state with $C_L = 5pF$ as shown in Figure 1B. The parameter is guaranteed but not 100% tested.
11. t_{cw} is measured from the later of \overline{CE} going low to the end of write.

ORDERING INFORMATION

PACKAGE DIMENSIONS


| SYMBOL | UNIT | INCH | MM |
|--------|------|---------------|--------------|
| A | | 0.111±0.007 | 2.821±0.176 |
| A1 | | 0.009±0.005 | 0.229±0.127 |
| A2 | | 0.1055±0.0055 | 2.680±0.140 |
| b | | 0.014 ~ 0.020 | 0.35 ~ 0.50 |
| b1 | | 0.014 ~ 0.018 | 0.35 ~ 0.46 |
| c | | 0.006 ~ 0.012 | 0.15 ~ 0.32 |
| c1 | | 0.006 ~ 0.011 | 0.15 ~ 0.28 |
| D | | 0.805±0.005 | 20.447±0.127 |
| E | | 0.445±0.005 | 11.303±0.127 |
| E1 | | 0.555±0.012 | 14.097±0.305 |
| e | | 0.050±0.006 | 1.270±0.152 |
| L | | 0.033±0.010 | 0.834±0.25 |
| L1 | | 0.055±0.008 | 1.397±0.203 |
| y | | 0.004 Max. | 0.1 Max. |
| θ | | 0° ~ 10° | 0° ~ 10° |

SOP -32

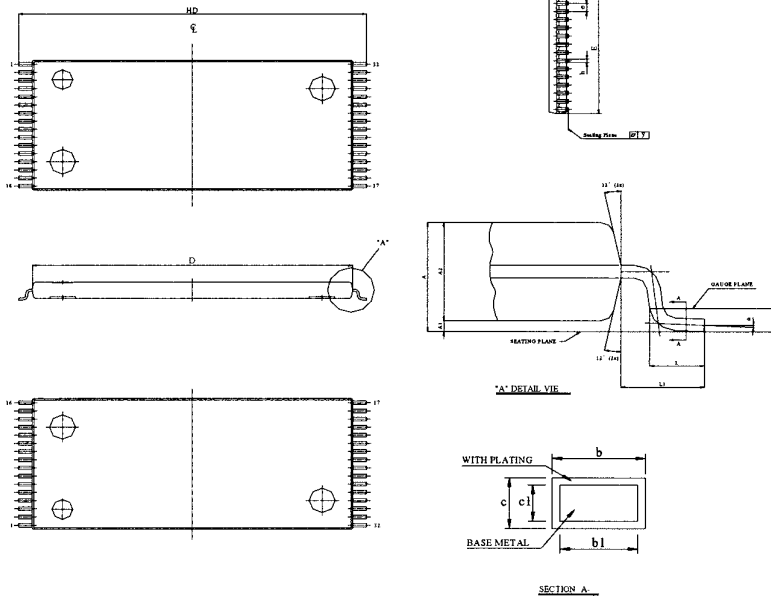
■ **PACKAGE DIMENSIONS (continued)**



| SYMBOL | DIMENSION (MM) | | | DIMENSION (INCH) | | |
|--------|----------------|-------|-------|------------------|-------|-------|
| | MIN. | NOM. | MAX. | MIN. | NOM. | MAX. |
| A | | | 1.20 | | | 0.047 |
| A1 | 0.05 | 0.10 | 0.15 | 0.002 | 0.004 | 0.006 |
| A2 | 0.95 | 1.00 | 1.05 | 0.037 | 0.039 | 0.042 |
| b | 0.30 | | 0.52 | 0.012 | | 0.020 |
| b1 | 0.30 | 0.40 | 0.45 | 0.012 | 0.016 | 0.018 |
| c | 0.12 | | 0.21 | 0.005 | | 0.008 |
| c1 | 0.10 | 0.127 | 0.16 | 0.004 | 0.005 | 0.006 |
| D | 20.82 | 20.95 | 21.08 | 0.820 | 0.825 | 0.830 |
| E | 11.56 | 11.76 | 11.96 | 0.455 | 0.463 | 0.471 |
| E1 | 10.03 | 10.16 | 10.29 | 0.394 | 0.400 | 0.405 |
| E | 1.27 BASIC | | | 0.050 BASIC | | |
| L | 0.40 | 0.50 | 0.60 | 0.016 | 0.020 | 0.024 |
| L1 | 0.25 BASIC | | | 0.010 BASIC | | |
| L2 | 0.8 REF | | | 0.031 REF | | |
| R | 0.12 | | 0.25 | 0.005 | | 0.010 |
| R1 | 0.12 | | | 0.005 | | |
| ZD | 0.95 REF | | | 0.037 REF | | |
| Y | | | 0.10 | | | 0.004 |

NOTE:
 1. CONTROLLING DIMENSION: MILLIMETERS.
 2. REFERENCE DOCUMENT: JEDEC MS-24
 3. DIMENSION D DOES NOT INCLUDE MOLD PROTRUSION. MOLD PROTRUSION SHALL NOT EXCEED 0.15(0.006") PER SIDE. DIMENSION E1 DOES NOT INCLUDE INTERLEAD PROTRUSION. INTERLEAD PROTRUSION SHALL NOT EXCEED 0.25(0.01") PER SIDE.
 4. DIMENSION b DOES NOT INCLUDE DAMBAR PROTRUSIONS/INTRUSION. ALLOWABLE DAMBAR PROTRUSION SHALL NOT CAUSE THE LEAD T BE WIDER THAN THE MAX b DIMENSION BY MORE THAN 0.13. DAMBAR INTRUSION SHALL NOT CAUSE THE LEAD TO BE NARROWER THAN THE MIN b DIMENSION BY MORE THAN 0.07mm.

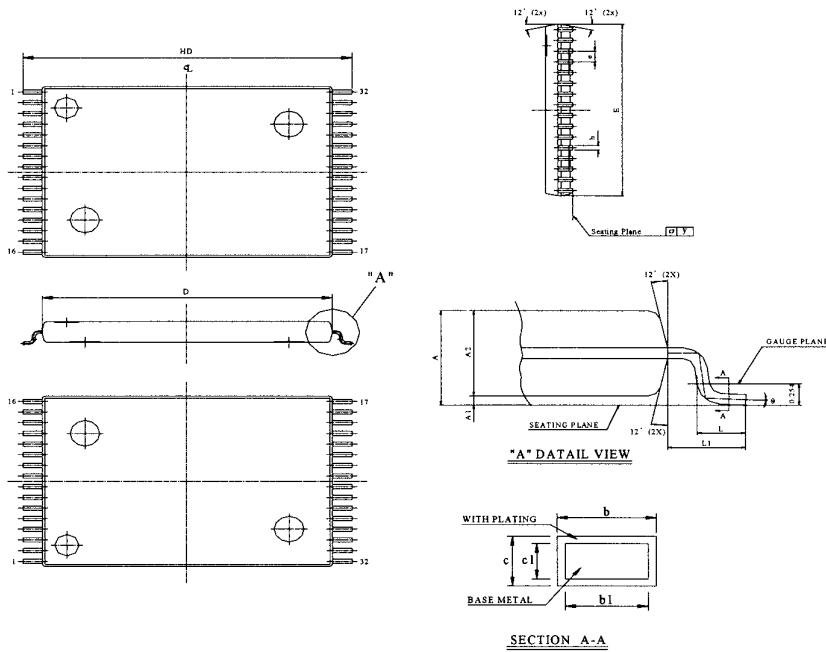
TSOP2 - 32



| SYMBOL | UNIT | INCH | MM |
|--------|------|--|--------------------------------------|
| | | | |
| A | | 0.0433± 0.004 | 1.10± 0.10 |
| A1 | | 0.004± 0.002 | 0.10± 0.05 |
| A2 | | 0.039± 0.002 | 1.00± 0.05 |
| b | | 0.009± 0.002 | 0.22± 0.05 |
| b1 | | 0.008± 0.001 | 0.20± 0.03 |
| c | | 0.004 ~ 0.008 | 0.10 ~ 0.21 |
| c1 | | 0.004 ~ 0.006 | 0.10 ~ 0.16 |
| D | | 0.724± 0.004 | 18.40± 0.10 |
| E | | 0.315± 0.004 | 8.00± 0.10 |
| e | | 0.020± 0.004 | 0.50± 0.10 |
| HD | | 0.787± 0.008 | 20.00± 0.20 |
| L | | 0.0197 ^{+0.008} _{-0.004} | 0.50 ^{+0.2} _{-0.1} |
| L1 | | 0.0315± 0.004 | 0.80± 0.10 |
| y | | 0.004 Max. | 0.1 Max. |
| θ | | 0° ~ 8° | 0° ~ 8° |

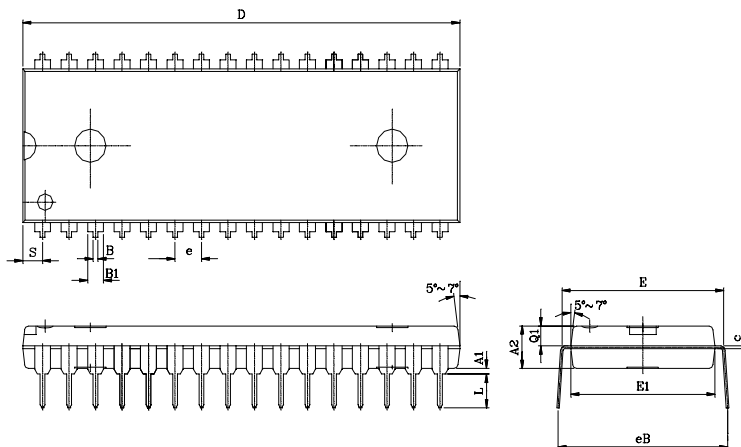
TSOP - 32

■ PACKAGE DIMENSIONS (continued)



STSOP - 32

| UNIT SYMBOL | INCH | MM |
|-------------|---------------------------------|---------------------------|
| A | 0.0433± 0.004 | 1.10± 0.10 |
| A1 | 0.004± 0.002 | 0.10± 0.05 |
| A2 | 0.039± 0.002 | 1.00± 0.05 |
| b | 0.009± 0.002 | 0.22± 0.05 |
| b1 | 0.008± 0.001 | 0.20± 0.03 |
| c | 0.004 ~ 0.008 | 0.10 ~ 0.21 |
| c1 | 0.004 ~ 0.006 | 0.10 ~ 0.16 |
| D | 0.465± 0.004 | 11.80± 0.10 |
| E | 0.315± 0.004 | 8.00± 0.10 |
| e | 0.020± 0.004 | 0.50± 0.10 |
| HD | 0.528± 0.008 | 13.40± 0.20 |
| L | 0.0197 ^{+0.008} -0.004 | 0.50 ^{+0.2} -0.1 |
| L1 | 0.0315± 0.004 | 0.80± 0.10 |
| y | 0.004 Max. | 0.1 Max. |
| θ | 0° ~ 8° | 0° ~ 8° |



PDIP - 32

| UNIT SYMBOL | INCH(BASE) | MM(REF) |
|-------------|-------------|--------------|
| A1 | 0.010(MIN) | 0.254(MIN) |
| A2 | 0.154±0.005 | 3.912±0.127 |
| B | 0.018±0.005 | 0.457±0.127 |
| B1 | 0.050±0.005 | 1.270±0.127 |
| c | 0.010±0.004 | 0.254±0.102 |
| D | 1.650±0.005 | 41.910±0.127 |
| E | 0.600±0.010 | 15.240±0.254 |
| E1 | 0.544±0.004 | 13.818±0.102 |
| e | 0.100(TYP) | 2.540(TYP) |
| eB | 0.650±0.020 | 16.510±0.508 |
| L | 0.130±0.010 | 3.302±0.254 |
| S | 0.075±0.010 | 1.905±0.254 |
| Q1 | 0.070±0.005 | 1.778±0.127 |

REVISION HISTORY

| Revision | Description | Date | Note |
|-----------------|---|----------------------|-------------|
| 2.2 | 2001 Data Sheet release | Apr. 15, 2001 | |
| 2.3 | Modify Standby Current (Typ. and Max.) | Jun. 29, 2001 | |
| 2.4 | Modify some AC parameters. | April,10,2002 | |