

## Features

- High-performance, Low-power 8/16-bit AVR XMEGA Microcontroller
- Non-volatile Program and Data Memories
  - 16 KB - 128 KB of In-System Self-Programmable Flash
  - 4 KB - 8 KB Boot Code Section with Independent Lock Bits
  - 1 KB - 2 KB EEPROM
  - 2 KB - 8 KB Internal SRAM
- Peripheral Features
  - Four-channel Event System
  - Four 16-bit Timer/Counters
    - Three Timer/Counters with 4 Output Compare or Input Capture channels
    - One Timer/Counter with 2 Output Compare or Input Capture channels
    - High-Resolution Extensions on two Timer/Counters
    - Advanced Waveform Extension on one Timer/Counter
  - Two USARTs
    - IrDA Extension on one USART
  - Two Two-Wire Interfaces with dual address match (I<sup>2</sup>C and SMBus compatible)
  - Two SPIs (Serial Peripheral Interfaces) peripherals
  - 16-bit Real Time Counter with Separate Oscillator
  - One Twelve-channel, 12-bit, 200 ksp/s Analog to Digital Converter
  - Two Analog Comparators with Window compare function
  - External Interrupts on all General Purpose I/O pins
  - Programmable Watchdog Timer with Separate On-chip Ultra Low Power Oscillator
- Special Microcontroller Features
  - Power-on Reset and Programmable Brown-out Detection
  - Internal and External Clock Options with PLL
  - Programmable Multi-level Interrupt Controller
  - Sleep Modes: Idle, Power-down, Standby, Power-save, Extended Standby
  - Advanced Programming, Test and Debugging Interface
    - PDI (Program and Debug Interface) for programming, test and debugging
- I/O and Packages
  - 34 Programmable I/O Lines
  - 44-lead TQFP
  - 44-pad VQFN/QFN
  - 49-ball VFBGA
- Operating Voltage
  - 1.6 – 3.6V
- Speed performance
  - 0 – 12 MHz @ 1.6 – 3.6V
  - 0 – 32 MHz @ 2.7 – 3.6V

## Typical Applications

- Industrial control
- Climate control
- Hand-held battery applications
- Factory automation
- ZigBee
- Power tools
- Building control
- Motor control
- HVAC
- Board control
- Networking
- Metering
- White Goods
- Optical
- Medical Applications



## 8/16-bit AVR<sup>®</sup> XMEGA D4 Microcontroller

ATxmega128D4  
ATxmega64D4  
ATxmega32D4  
ATxmega16D4

Preliminary



## 1. Ordering Information

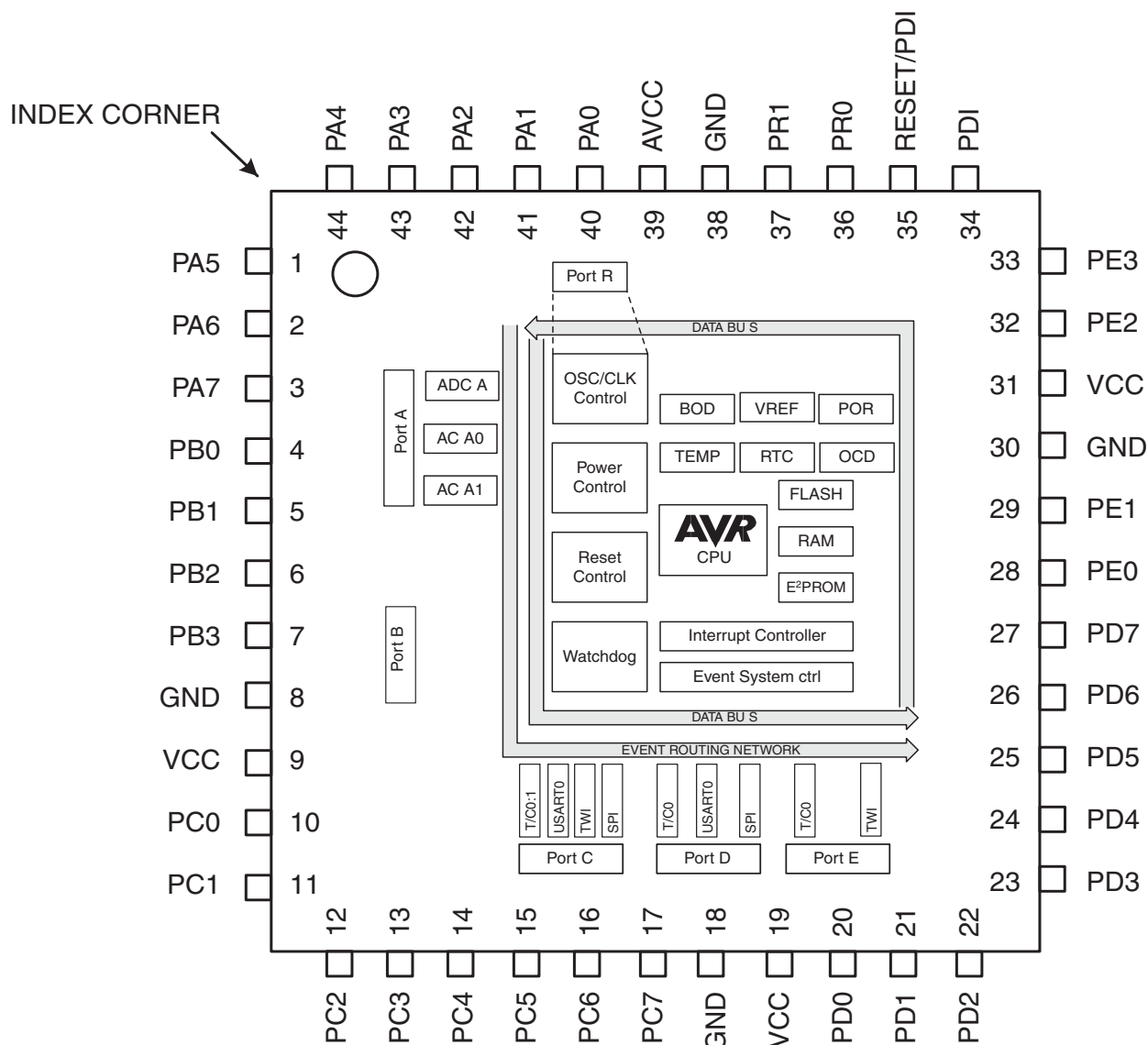
| Ordering Code   | Flash         | E <sup>2</sup> | SRAM | Speed (MHz) | Power Supply | Package <sup>(1)(2)(3)</sup> | Temp         |
|-----------------|---------------|----------------|------|-------------|--------------|------------------------------|--------------|
| ATxmega128D4-AU | 128 KB + 8 KB | 2 KB           | 8 KB | 32          | 1.6 - 3.6V   | 44A                          | -40°C - 85°C |
| ATxmega64D4-AU  | 64 KB + 4 KB  | 2 KB           | 4 KB | 32          | 1.6 - 3.6V   |                              |              |
| ATxmega32D4-AU  | 32 KB + 4 KB  | 1 KB           | 4 KB | 32          | 1.6 - 3.6V   |                              |              |
| ATxmega16D4-AU  | 16 KB + 4 KB  | 1 KB           | 2 KB | 32          | 1.6 - 3.6V   |                              |              |
| ATxmega128D4-MH | 128 KB + 8 KB | 2 KB           | 8 KB | 32          | 1.6 - 3.6V   | 44M1                         |              |
| ATxmega64D4-MH  | 64 KB + 4 KB  | 2 KB           | 4 KB | 32          | 1.6 - 3.6V   |                              |              |
| ATxmega32D4-MH  | 32 KB + 4 KB  | 1 KB           | 4 KB | 32          | 1.6 - 3.6V   |                              |              |
| ATxmega16D4-MH  | 16 KB + 4 KB  | 1 KB           | 2 KB | 32          | 1.6 - 3.6V   |                              |              |
| ATxmega32D4-CU  | 32 KB + 4 KB  | 1 KB           | 4 KB | 32          | 1.6 - 3.6V   | 49C2                         |              |
| ATxmega16D4-CU  | 16 KB + 4 KB  | 1 KB           | 2 KB | 32          | 1.6 - 3.6V   |                              |              |

- Notes:
1. This device can also be supplied in wafer form. Please contact your local Atmel sales office for detailed ordering information.
  2. Pb-free packaging, complies to the European Directive for Restriction of Hazardous Substances (RoHS directive). Also Halide free and fully Green.
  3. For packaging information see "[Packaging information](#)" on page 55.

| Package Type |  |
|--------------|--|
| <b>44A</b>   | 44-lead, 10 x 10 mm Body Size, 1.0 mm Body Thickness, 0.8 mm Lead Pitch, Thin Profile Plastic Quad Flat Package (TQFP)                 |
| <b>44M1</b>  | 44-pad, 7 x 7 x 1.0 mm Body, Lead Pitch 0.50 mm, 5.20 mm Exposed Pad, Thermally Enhanced Plastic Very Thin Quad No Lead Package (VQFN) |
| <b>49C2</b>  | 49-ball (7 x 7 Array), 0.65 mm Pitch, 5.0 x 5.0 x 1.0 mm, Very Thin, Fine-Pitch Ball Grid Array Package (VFBGA)                        |

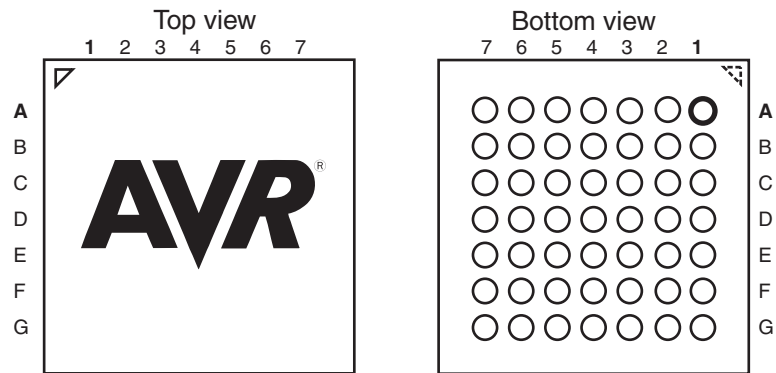
## 2. Pinout/Block Diagram

Figure 2-1. Block Diagram and TQFP/QFN pinout



- Notes:
1. For full details on pinout and pin functions refer to "Pinout and Pin Functions" on page 46.
  2. The large center pad underneath the TQFP/QFN/MLF package should be soldered to ground on the board to ensure good mechanical stability.

**Figure 2-2.** VFBGA pinout



**Table 2-1.** VFBGA pinout

|   | 1   | 2    | 3   | 4   | 5             | 6   |     |
|---|-----|------|-----|-----|---------------|-----|-----|
| A | PA3 | AVCC | GND | PR1 | PR0           | PDI | PE3 |
| B | PA4 | PA1  | PA0 | GND | RESET/<br>PDI | PE2 | VCC |
| C | PA5 | PA2  | PA6 | PA7 | GND           | PE1 | GND |
| D | PB1 | PB2  | PB3 | PB0 | GND           | PD7 | PE0 |
| E | GND | GND  | PC3 | GND | PD4           | PD5 | PD6 |
| F | VCC | PC0  | PC4 | PC6 | PD0           | PD1 | PD3 |
| G | PC1 | PC2  | PC5 | PC7 | GND           | VCC | PD2 |

### 3. Overview

The XMEGA D4 is a family of low power, high performance and peripheral rich CMOS 8/16-bit microcontrollers based on the AVR<sup>®</sup> enhanced RISC architecture. By executing powerful instructions in a single clock cycle, the XMEGA D4 achieves throughputs approaching 1 Million Instructions Per Second (MIPS) per MHz allowing the system designer to optimize power consumption versus processing speed.

The AVR CPU combines a rich instruction set with 32 general purpose working registers. All the 32 registers are directly connected to the Arithmetic Logic Unit (ALU), allowing two independent registers to be accessed in one single instruction, executed in one clock cycle. The resulting architecture is more code efficient while achieving throughputs many times faster than conventional single-accumulator or CISC based microcontrollers.

The XMEGA D4 devices provide the following features: In-System Programmable Flash with Read-While-Write capabilities, Internal EEPROM and SRAM, four-channel Event System, Programmable Multi-level Interrupt Controller, 34 general purpose I/O lines, 16-bit Real Time Counter (RTC), four flexible 16-bit Timer/Counters with compare modes and PWM, two USARTs, two Two-Wire Interfaces (TWIs), two Serial Peripheral Interfaces (SPIs), one Twelve-channel 12-bit ADC with optional differential input with programmable gain, two analog comparators with window mode, programmable Watchdog Timer with separate Internal Oscillator, accurate internal oscillators with PLL and prescaler and programmable Brown-Out Detection.

The Program and Debug Interface (PDI), a fast 2-pin interface for programming and debugging, is available.

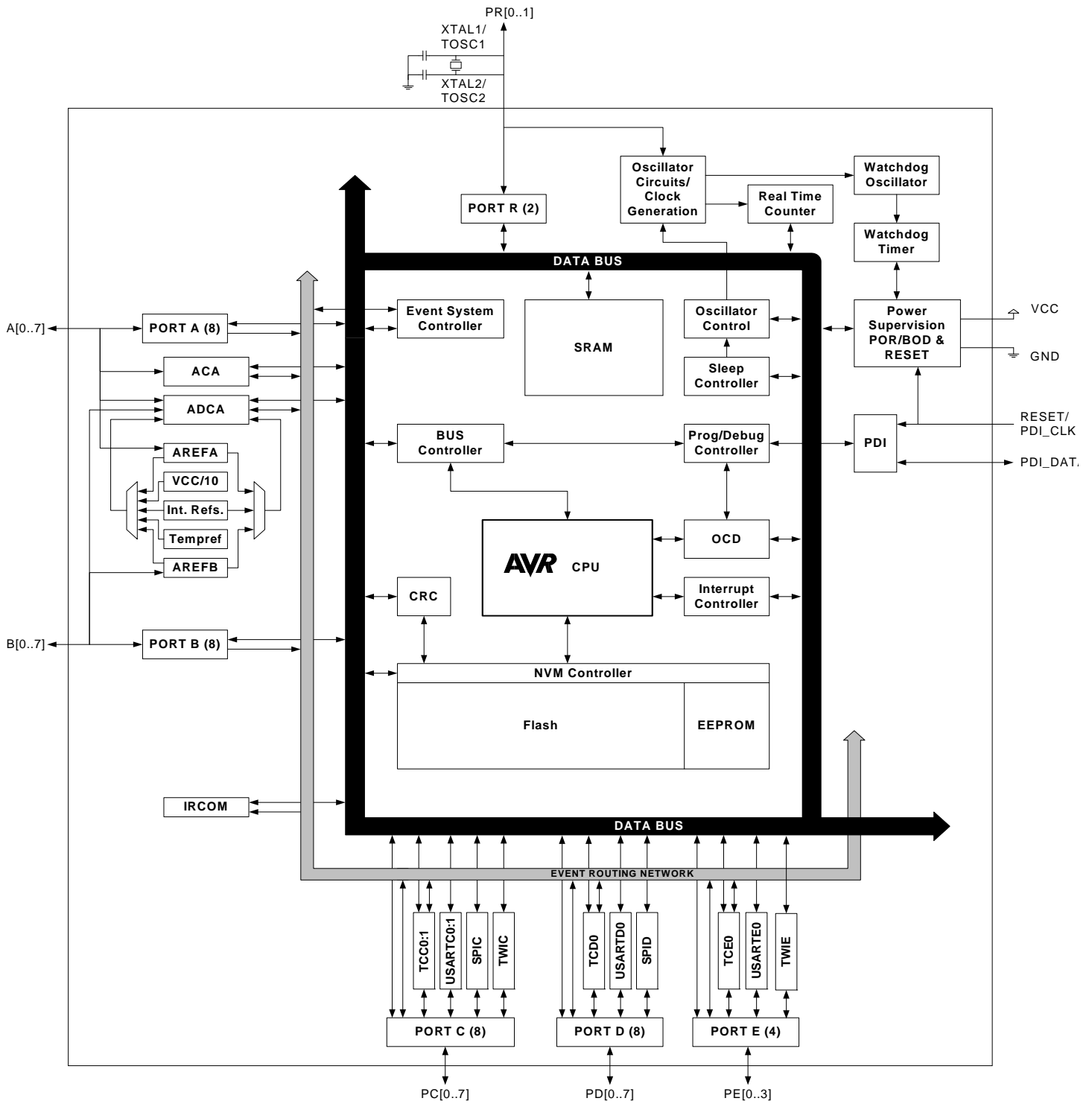
The XMEGA D4 devices have five software selectable power saving modes. The Idle mode stops the CPU while allowing the SRAM, Event System, Interrupt Controller and all peripherals to continue functioning. The Power-down mode saves the SRAM and register contents but stops the oscillators, disabling all other functions until the next TWI or pin-change interrupt, or Reset. In Power-save mode, the asynchronous Real Time Counter continues to run, allowing the application to maintain a timer base while the rest of the device is sleeping. In Standby mode, the Crystal/Resonator Oscillator is kept running while the rest of the device is sleeping. This allows very fast start-up from external crystal combined with low power consumption. In Extended Standby mode, both the main Oscillator and the Asynchronous Timer continue to run. To further reduce power consumption, the peripheral clock to each individual peripheral can optionally be stopped in Active mode and in Idle sleep mode.

The device is manufactured using Atmel's high-density nonvolatile memory technology. The program Flash memory can be reprogrammed in-system through the PDI. A Bootloader running in the device can use any interface to download the application program to the Flash memory. The Bootloader software in the Boot Flash section will continue to run while the Application Flash section is updated, providing true Read-While-Write operation. By combining an 8/16-bit RISC CPU with In-System Self-Programmable Flash, the Atmel XMEGA D4 is a powerful microcontroller family that provides a highly flexible and cost effective solution for many embedded applications.

The XMEGA D4 devices are supported with a full suite of program and system development tools including: C compilers, macro assemblers, program debugger/simulators, programmers, and evaluation kits.

### 3.1 Block Diagram

Figure 3-1. XMEGA D4 Block Diagram



## 4. Resources

A comprehensive set of development tools, application notes and datasheets are available for download on <http://www.atmel.com/avr>.

### 4.1 Recommended reading

- XMEGA D Manual
- XMEGA Application Notes

This device datasheet only contains part specific information and a short description of each peripheral and module. The XMEGA D Manual describes the modules and peripherals in depth. The XMEGA application notes contain example code and show applied use of the modules and peripherals.

The XMEGA Manual and Application Notes are available from <http://www.atmel.com/avr>.

## 5. Disclaimer

For devices that are not available yet, typical values contained in this datasheet are based on simulations and characterization of other AVR XMEGA microcontrollers manufactured on the same process technology. Min. and Max values will be available after the device is characterized.

## 6. AVR CPU

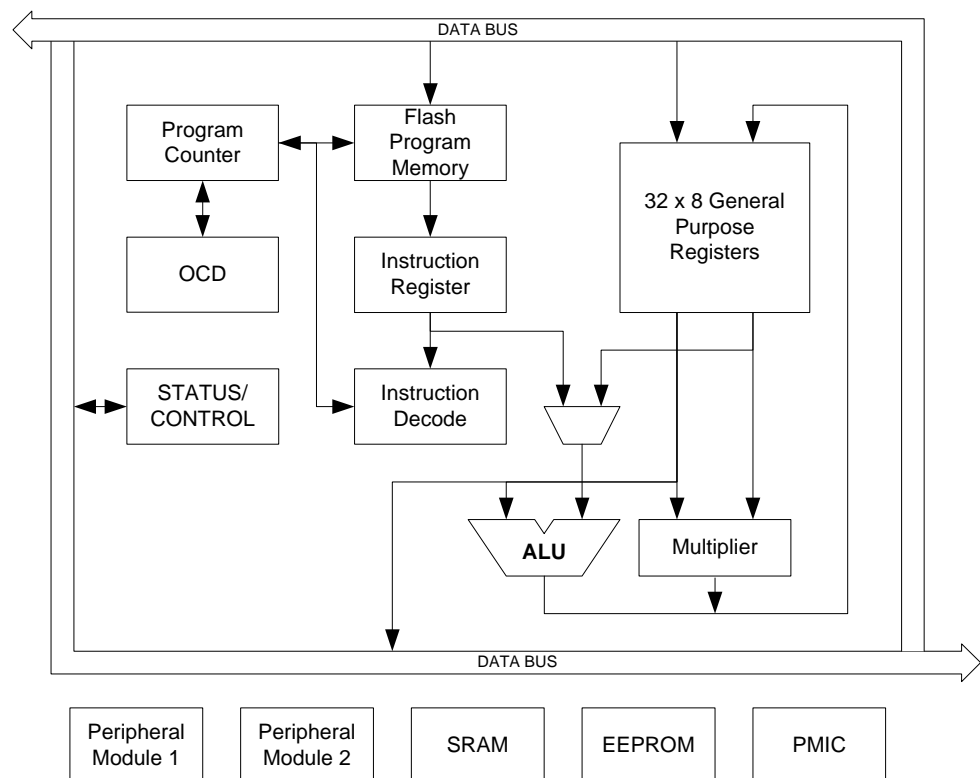
### 6.1 Features

- 8/16-bit high performance AVR RISC Architecture
  - 138 instructions
  - Hardware multiplier
- 32x8-bit registers directly connected to the ALU
- Stack in RAM
- Stack Pointer accessible in I/O memory space
- Direct addressing of up to 16M Bytes of program and data memory
- True 16/24-bit access to 16/24-bit I/O registers
- Support for for both 8-, 16- and 32-bit Arithmetic
- Configuration Change Protection of system critical features

### 6.2 Overview

The XMEGA D4 uses the 8/16-bit AVR CPU. The main function of the CPU is program execution. The CPU must therefore be able to access memories, perform calculations and control peripherals. Interrupt handling is described in a separate section. [Figure 6-1 on page 8](#) shows the CPU block diagram.

**Figure 6-1.** CPU block diagram



The AVR uses a Harvard architecture - with separate memories and buses for program and data. Instructions in the program memory are executed with a single level pipeline. While one instruction is being executed, the next instruction is pre-fetched from the program memory.



This concept enables instructions to be executed in every clock cycle. The program memory is In-System Re-programmable Flash memory.

### **6.3 Register File**

The fast-access Register File contains 32 x 8-bit general purpose working registers with a single clock cycle access time. This allows single-cycle Arithmetic Logic Unit (ALU) operation. In a typical ALU operation, two operands are output from the Register File, the operation is executed, and the result is stored back in the Register File - in one clock cycle.

Six of the 32 registers can be used as three 16-bit indirect address register pointers for Data Space addressing - enabling efficient address calculations. One of these address pointers can also be used as an address pointer for look up tables in Flash program memory.

### **6.4 ALU - Arithmetic Logic Unit**

The high performance Arithmetic Logic Unit (ALU) supports arithmetic and logic operations between registers or between a constant and a register. Single register operations can also be executed. Within a single clock cycle, arithmetic operations between general purpose registers or between a register and an immediate are executed. After an arithmetic or logic operation, the Status Register is updated to reflect information about the result of the operation.

The ALU operations are divided into three main categories – arithmetic, logical, and bit-functions. Both 8- and 16-bit arithmetic is supported, and the instruction set allows for easy implementation of 32-bit arithmetic. The ALU also provides a powerful multiplier supporting both signed and unsigned multiplication and fractional format.

### **6.5 Program Flow**

When the device is powered on, the CPU starts to execute instructions from the lowest address in the Flash Program Memory '0'. The Program Counter (PC) addresses the next instruction to be fetched. After a reset, the PC is set to location '0'.

Program flow is provided by conditional and unconditional jump and call instructions, capable of addressing the whole address space directly. Most AVR instructions use a 16-bit word format, while a limited number uses a 32-bit format.

During interrupts and subroutine calls, the return address PC is stored on the Stack. The Stack is effectively allocated in the general data SRAM, and consequently the Stack size is only limited by the total SRAM size and the usage of the SRAM. After reset the Stack Pointer (SP) points to the highest address in the internal SRAM. The SP is read/write accessible in the I/O memory space, enabling easy implementation of multiple stacks or stack areas. The data SRAM can easily be accessed through the five different addressing modes supported in the AVR CPU.

## 7. Memories

### 7.1 Features

- **Flash Program Memory**
  - One linear address space
  - In-System Programmable
  - Self-Programming and Bootloader support
  - Application Section for application code
  - Application Table Section for application code or data storage
  - Boot Section for application code or bootloader code
  - Separate lock bits and protection for all sections
- **Data Memory**
  - One linear address space
  - Single cycle access from CPU
  - SRAM
  - EEPROM
    - Byte and page accessible
    - Optional memory mapping for direct load and store
  - I/O Memory
    - Configuration and Status registers for all peripherals and modules
    - Four bit-accessible General Purpose Register for global variables or flags
- **Production Signature Row Memory for factory programmed data**
  - Device ID for each microcontroller device type
  - Serial number for each device
  - Oscillator calibration bytes
  - ADC and temperature sensor calibration data
- **User Signature Row**
  - One flash page in size
  - Can be read and written from software
  - Content is kept after chip erase

### 7.2 Overview

The AVR architecture has two main memory spaces, the Program Memory and the Data Memory. In addition, the XMEGA D4 features an EEPROM Memory for non-volatile data storage. All three memory spaces are linear and require no paging. The available memory size configurations are shown in "[Ordering Information](#)" on page 2. In addition each device has a Flash memory signature row for calibration data, device identification, serial number etc.

Non-volatile memory spaces can be locked for further write or read/write operations. This prevents unrestricted access to the application software.

## 7.3 In-System Programmable Flash Program Memory

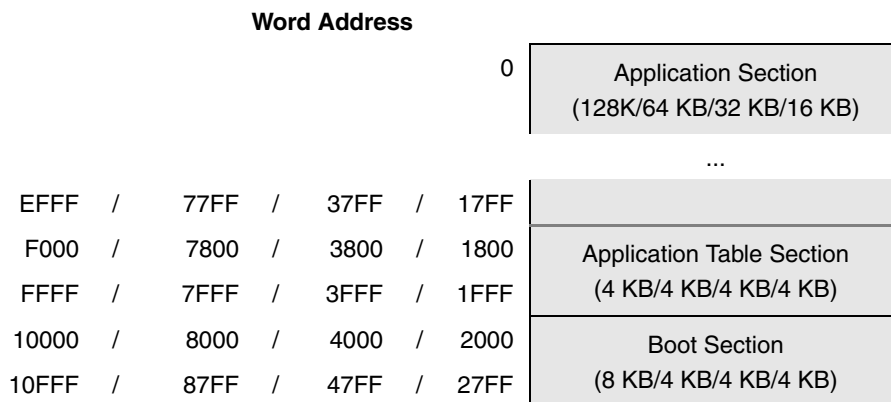
The XMEGA D4 devices contain On-chip In-System Programmable Flash memory for program storage, see [Figure 7-1 on page 11](#). Since all AVR instructions are 16- or 32-bits wide, each Flash address location is 16 bits.

The Program Flash memory space is divided into Application and Boot sections. Both sections have dedicated Lock Bits for setting restrictions on write or read/write operations.

The Store Program Memory (SPM) instruction must reside in the Boot Section when used to write to the Flash memory.

A third section inside the Application section is referred to as the Application Table section which has separate Lock bits for storage of write or read/write protection. The Application Table section can be used for storing non-volatile data or application software.

**Figure 7-1.** Flash Program Memory (Hexadecimal address)



The Application Table Section and Boot Section can also be used for general application software.

## 7.4 Data Memory

The Data Memory contains the I/O Memory, EEPROM and SRAM memories, all within one linear address space, see [Figure 7-2 on page 12](#). To simplify development, the memory map for all devices in the family is identical and with empty, reserved memory space for smaller devices.

**Figure 7-2.** Data Memory Map (Hexadecimal address)

| Byte Address | ATxmega64D4             | Byte Address | ATxmega32D4             | Byte Address | ATxmega16D4             |
|--------------|-------------------------|--------------|-------------------------|--------------|-------------------------|
| 0            | I/O Registers<br>(4KB)  | 0            | I/O Registers<br>(4KB)  | 0            | I/O Registers<br>(4KB)  |
| FFF          |                         | FFF          |                         | FFF          |                         |
| 1000         | EEPROM<br>(2K)          | 1000         | EEPROM<br>(1 KB)        | 1000         | EEPROM<br>(1 KB)        |
| 17FF         |                         | 13FF         |                         | 13FF         |                         |
|              | RESERVED                |              | RESERVED                |              | RESERVED                |
| 2000         | Internal SRAM<br>(4 KB) | 2000         | Internal SRAM<br>(4 KB) | 2000         | Internal SRAM<br>(2 KB) |
| 2FFF         |                         | 2FFF         |                         | 27FF         |                         |

| Byte Address | ATxmega128D4            |
|--------------|-------------------------|
| 0            | I/O Registers<br>(4 KB) |
| FFF          |                         |
| 1000         | EEPROM<br>(2K)          |
| 17FF         |                         |
|              | RESERVED                |
| 2000         | Internal SRAM<br>(8K)   |
| 3FFF         |                         |

### 7.4.1 I/O Memory

All peripherals and modules are addressable through I/O memory locations in the data memory space. All I/O memory locations can be accessed by the Load (LD/LDS/LDD) and Store (ST/STS/STD) instructions, transferring data between the 32 general purpose registers in the CPU and the I/O Memory.

The IN and OUT instructions can address I/O memory locations in the range 0x00 - 0x3F directly.

I/O registers within the address range 0x00 - 0x1F are directly bit-accessible using the SBI and CBI instructions. The value of single bits can be checked by using the SBIS and SBIC instructions on these registers.

The I/O memory address for all peripherals and modules in XMEGA D4 is shown in the "[Peripheral Module Address Map](#)" on page 50.

### 7.4.2 SRAM Data Memory

The XMEGA D4 devices have internal SRAM memory for data storage.

## 7.4.3 EEPROM Data Memory

The XMEGA D4 devices have internal EEPROM memory for non-volatile data storage. It is addressable either in a separate data space or it can be memory mapped into the normal data memory space. The EEPROM memory supports both byte and page access.

## 7.5 Production Signature Row

The Production Signature Row is a separate memory section for factory programmed data. It contains calibration data for functions such as oscillators and analog modules.

The production signature row also contains a device ID that identify each microcontroller device type, and a serial number that is unique for each manufactured device. The device ID for the available XMEGA A4 devices is shown in [Table 7-1 on page 13](#). The serial number consist of the production LOT number, wafer number, and wafer coordinates for the device.

The production signature row can not be written or erased, but it can be read from both application software and external programming.

**Table 7-1.** Device ID bytes for XMEGA D4 devices.

| Device       | Device ID bytes |        |        |
|--------------|-----------------|--------|--------|
|              | Byte 2          | Byte 1 | Byte 0 |
| ATxmega16D4  | 42              | 94     | 1E     |
| ATxmega32D4  | 42              | 95     | 1E     |
| ATxmega64D4  | 47              | 96     | 1E     |
| ATxmega128D4 | 47              | 97     | 1E     |

## 7.6 User Signature Row

The User Signature Row is a separate memory section that is fully accessible (read and write) from application software and external programming. The user signature row is one flash page in size, and is meant for static user parameter storage, such as calibration data, custom serial numbers or identification numbers, random number seeds etc. This section is not erased by Chip Erase commands that erase the Flash, and requires a dedicated erase command. This ensures parameter storage during multiple program/erase session and on-chip debug sessions.

## 7.7 Flash and EEPROM Page Size

The Flash Program Memory and EEPROM data memory are organized in pages. The pages are word accessible for the Flash and byte accessible for the EEPROM.

[Table 7-2 on page 14](#) shows the Flash Program Memory organization. Flash write and erase operations are performed on one page at the time, while reading the Flash is done one byte at the time. For Flash access the Z-pointer (Z[m:n]) is used for addressing. The most significant bits in the address (FPAGE) give the page number and the least significant address bits (FWORD) give the word in the page.

**Table 7-2.** Number of words and Pages in the Flash.

| Devices      | Flash Size    | Page Size (words) | FWORD  | FPAGE   | Application |             | Boot |             |
|--------------|---------------|-------------------|--------|---------|-------------|-------------|------|-------------|
|              |               |                   |        |         | Size        | No of Pages | Size | No of Pages |
| ATxmega16D4  | 16 KB + 4 KB  | 128               | Z[6:0] | Z[13:7] | 16 KB       | 64          | 4 KB | 16          |
| ATxmega32D4  | 32 KB + 4 KB  | 128               | Z[6:0] | Z[14:7] | 32 KB       | 128         | 4 KB | 16          |
| ATxmega64D4  | 64 KB + 4 KB  | 128               | Z[6:0] | Z[15:7] | 64 KB       | 256         | 4 KB | 16          |
| ATxmega128D4 | 128 KB + 8 KB | 256               | Z[7:0] | Z[16:8] | 128 KB      | 256         | 8 KB | 16          |

Table 7-3 on page 14 shows EEPROM memory organization for the XMEGA D4 devices. EEPROM write and erase operations can be performed one page or one byte at the time, while reading the EEPROM is done one byte at the time. For EEPROM access the NVM Address Register (ADDR[m:n]) is used for addressing. The most significant bits in the address (E2PAGE) give the page number and the least significant address bits (E2BYTE) give the byte in the page.

**Table 7-3.** Number of Bytes and Pages in the EEPROM.

| Devices      | EEPROM Size | Page Size (Bytes) | E2BYTE    | E2PAGE     | No of Pages |
|--------------|-------------|-------------------|-----------|------------|-------------|
| ATxmega16D4  | 1 KB        | 32                | ADDR[4:0] | ADDR[10:5] | 32          |
| ATxmega32D4  | 1 KB        | 32                | ADDR[4:0] | ADDR[10:5] | 32          |
| ATxmega64D4  | 2 KB        | 32                | ADDR[4:0] | ADDR[10:5] | 64          |
| ATxmega128D4 | 2 KB        | 32                | ADDR[4:0] | ADDR[10:5] | 64          |

## 8. Event System

### 8.1 Features

- Inter-peripheral communication and signalling with minimum latency
- CPU independent operation
- 4 Event Channels allow for up to 4 signals to be routed at the same time
- 100% predictable timing between peripherals
- Events can be generated by
  - Timer/Counters (TCxn)
  - Real Time Counter (RTC)
  - Analog to Digital Converter (ADCx)
  - Analog Comparator (ACx)
  - Ports (PORTx)
  - System Clock (Clk<sub>sys</sub>)
  - Software (CPU)
- Events can be used by
  - Timer/Counters (TCxn)
  - Analog to Digital Converter (ADCx)
  - Ports (PORTx)
  - IR Communication Module (IRCOM)
- The same event can be used by multiple peripherals for synchronized timing
- Advanced Features
  - Manual Event Generation from software (CPU)
  - Quadrature Decoding
  - Digital Filtering
- Functioned in Active and Idle mode

### 8.2 Overview

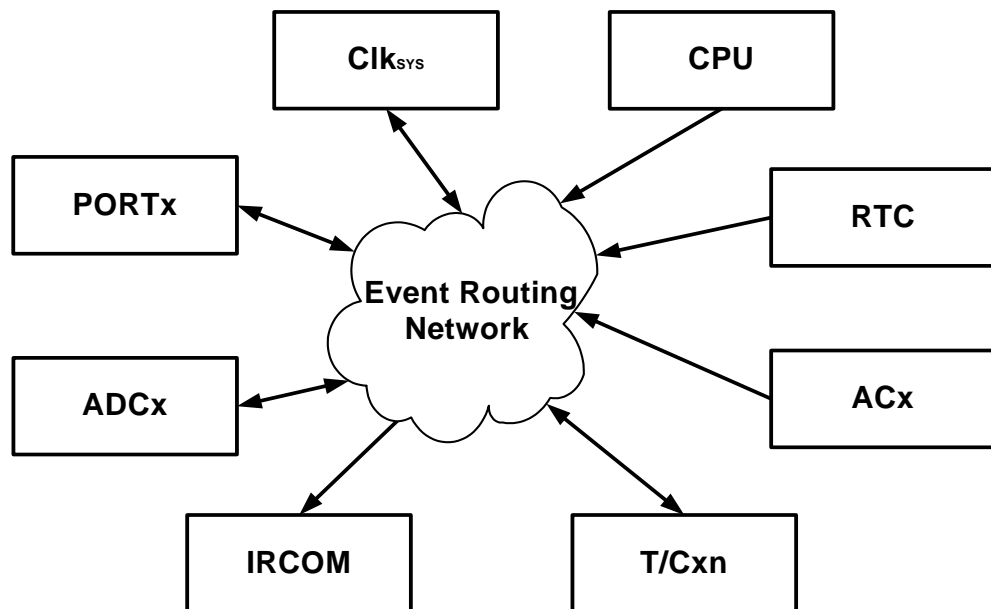
The Event System is a set of features for inter-peripheral communication. It enables the possibility for a change of state in one peripheral to automatically trigger actions in other peripherals. The change of state in a peripheral that will trigger actions in other peripherals is configurable in software. It is a simple, but powerful system as it allows for autonomous control of peripherals without any use of interrupt, CPU resource.

The indication of a change in a peripheral is referred to as an event, and is usually the same as the interrupt conditions for that peripheral. Events are passed between peripherals using a dedicated routing network called the Event Routing Network. [Figure 8-1 on page 16](#) shows a basic block diagram of the Event System with the Event Routing Network and the peripherals to which it is connected. This highly flexible system can be used for simple routing of signals, pin functions or for sequencing of events.

The maximum latency is two CPU clock cycles from when an event is generated in one peripheral, until the actions are triggered in one or more other peripherals.

The Event System is functional in both Active and Idle modes.

Figure 8-1. Event System Block Diagram



The Event Routing Network can directly connect together ADCs, Analog Comparators (AC<sub>x</sub>), I/O ports (PORT<sub>x</sub>), the Real-time Counter (RTC), Timer/Counters (T/C) and the IR Communication Module (IRCOM). Events can also be generated from software (CPU).

All events from all peripherals are always routed into the Event Routing Network. This consist of eight multiplexers where each can be configured in software to select which event to be routed into that event channel. All eight event channels are connected to the peripherals that can use events, and each of these peripherals can be configured to use events from one or more event channels to automatically trigger a software selectable action.



## 9. System Clock and Clock options

### 9.1 Features

- **Fast start-up time**
- **Safe run-time clock switching**
- **Internal Oscillators:**
  - 32 MHz run-time calibrated RC oscillator
  - 2 MHz run-time calibrated RC oscillator
  - 32.768 kHz calibrated RC oscillator
  - 32 kHz Ultra Low Power (ULP) oscillator with 1 kHz output
- **External clock options**
  - 0.4 - 16 MHz Crystal Oscillator
  - 32.768 kHz Crystal Oscillator
  - External clock
- **PLL with internal and external clock options with 1 to 31x multiplication**
- **Clock Prescalers with 1 to 2048x division**
- **Fast peripheral clock running at time the CPU clock speed**
- **Automatic Run-Time Calibration of internal oscillators**
- **Crystal Oscillator failure detection**

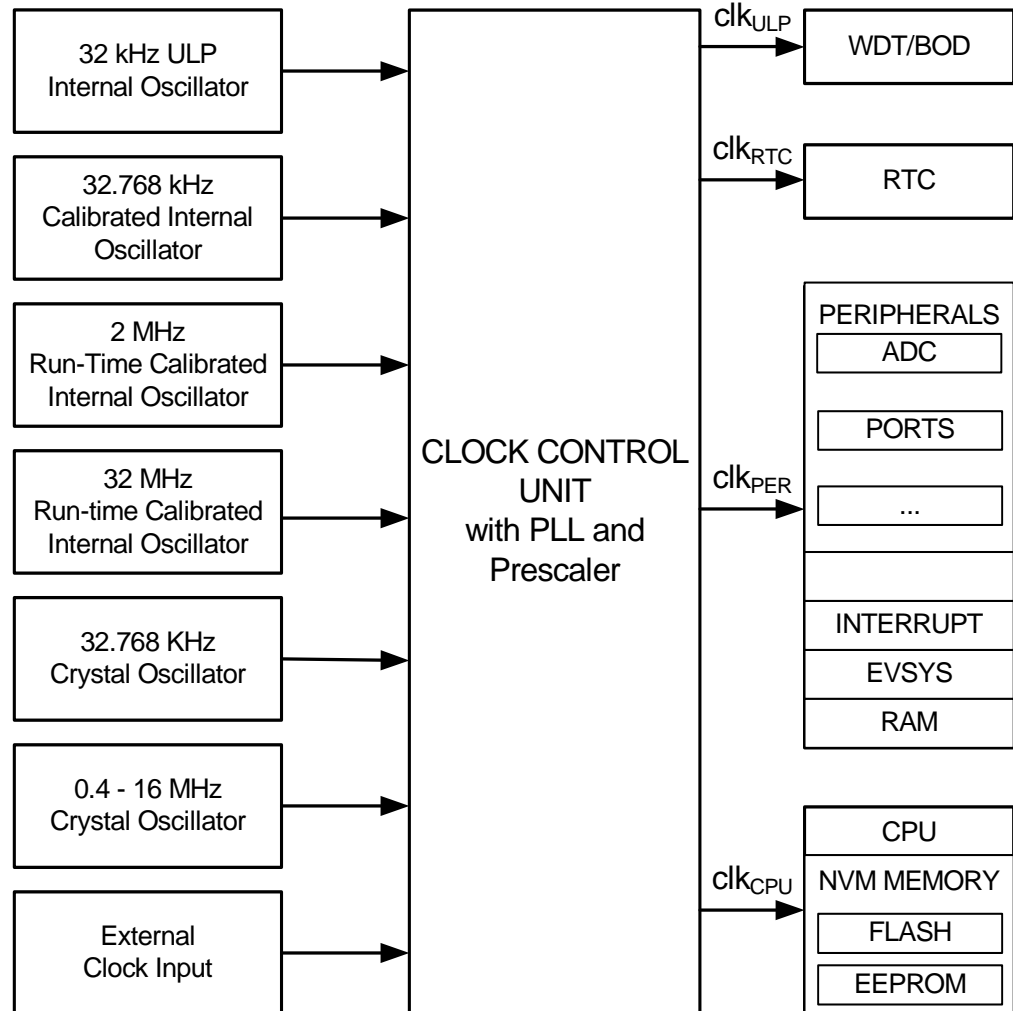
### 9.2 Overview

XMEGA D4 has an advanced clock system, supporting a large number of clock sources. It incorporates both accurate integrated oscillators, external crystal oscillators and resonators. A high frequency Phase Locked Loop (PLL) and clock prescalers can be used to generate a wide range of clock frequencies. A calibration feature (DFLL) is available, and can be used for automatic run-time calibration of the internal oscillators. A Crystal Oscillator Failure Monitor can be enabled to issue a Non-Maskable Interrupt and switch to internal oscillator if the external oscillator fails.

After reset, the device will always start up running from the 2 MHz internal oscillator. During normal operation, the System Clock source and prescalers can be changed from software at any time.

A Crystal Oscillator Failure Monitor can be enabled to issue a Non-Maskable Interrupt and switch to internal oscillator if the external oscillator fails. [Figure 9-1 on page 18](#) shows the principal clock system in XMEGA D4.

**Figure 9-1.** Clock system overview



Each clock source is briefly described in the following sub-sections.

## 9.3 Clock Options

### 9.3.1 32 kHz Ultra Low Power Internal Oscillator

The 32 kHz Ultra Low Power (ULP) Internal Oscillator is a very low power consumption clock source. It is used for the Watchdog Timer, Brown-Out Detection and as an asynchronous clock source for the Real Time Counter. This oscillator cannot be used as the system clock source, and it cannot be directly controlled from software.

### 9.3.2 32.768 kHz Calibrated Internal Oscillator

The 32.768 kHz Calibrated Internal Oscillator is a high accuracy clock source that can be used as the system clock source or as an asynchronous clock source for the Real Time Counter. It is calibrated during production to provide a default frequency which is close to its nominal frequency.

**9.3.3 32.768 kHz Crystal Oscillator**

The 32.768 kHz Crystal Oscillator is a low power driver for an external watch crystal. It can be used as system clock source or as asynchronous clock source for the Real Time Counter.

**9.3.4 0.4 - 16 MHz Crystal Oscillator**

The 0.4 - 16 MHz Crystal Oscillator is a driver intended for driving both external resonators and crystals ranging from 400 kHz to 16 MHz.

**9.3.5 2 MHz Run-time Calibrated Internal Oscillator**

The 2 MHz Run-time Calibrated Internal Oscillator is a high frequency oscillator. It is calibrated during production to provide a default frequency which is close to its nominal frequency. The oscillator can use the 32 kHz Calibrated Internal Oscillator or the 32 kHz Crystal Oscillator as a source for calibrating the frequency run-time to compensate for temperature and voltage drift hereby optimizing the accuracy of the oscillator.

**9.3.6 32 MHz Run-time Calibrated Internal Oscillator**

The 32 MHz Run-time Calibrated Internal Oscillator is a high frequency oscillator. It is calibrated during production to provide a default frequency which is close to its nominal frequency. The oscillator can use the 32.768 kHz Calibrated Internal Oscillator or the 32 kHz Crystal Oscillator as a source for calibrating the frequency run-time to compensate for temperature and voltage drift hereby optimizing the accuracy of the oscillator.

**9.3.7 External Clock input**

The external clock input gives the possibility to connect a clock from an external source.

**9.3.8 PLL with Multiplication factor 1 - 31x**

The PLL provides the possibility of multiplying a frequency by any number from 1 to 31. In combination with the prescalers, this gives a wide range of output frequencies from all clock sources.

## 10. Power Management and Sleep Modes

### 10.1 Features

- 5 sleep modes
  - Idle
  - Power-down
  - Power-save
  - Standby
  - Extended standby
- Power Reduction registers to disable clocks to unused peripherals

### 10.2 Overview

XMEGA provides various sleep modes and software controlled clock gating in order to tailor power consumption to the application's requirement. Sleep modes enables the microcontroller to shut down unused modules to save power. When the device enters sleep mode, program execution is stopped and interrupts or reset is used to wake the device again. The individual clock to unused peripherals can be stopped during normal operation or in sleep, enabling a much more fine tuned power management than sleep modes alone

### 10.3 Sleep Modes

Sleep modes are used to shut down modules and clock domains in the microcontroller in order to save power. XMEGA has five different sleep modes. A dedicated Sleep instruction (SLEEP) is available to enter sleep. Before executing SLEEP, the selected sleep mode to enter must be configured. The available interrupt wake-up sources is dependent on the selected sleep mode. When an enabled interrupt occurs the device will wake up and execute the interrupt service routine before continuing normal program execution from the first instruction after the SLEEP instruction. If other higher priority interrupts are pending when the wake-up occurs, their interrupt service routines will be executed according to their priority before the interrupt service routine for the wake-up interrupt is executed. After wake-up the CPU is halted for four cycles before execution starts.

#### 10.3.1 Idle Mode

In Idle mode the CPU and Non-Volatile Memory are stopped, but all peripherals including the Interrupt Controller and Event System are kept running. Interrupt requests from all enabled interrupts will wake the device.

#### 10.3.2 Power-down Mode

In Power-down mode all system clock sources, and the asynchronous Real Time Counter (RTC) clock source, are stopped. This allows operation of asynchronous modules only. The only interrupts that can wake up the MCU are the Two Wire Interface address match interrupts, and asynchronous port interrupts.

#### 10.3.3 Power-save Mode

Power-save mode is identical to Power-down, with one exception:

If the Real Time Counter (RTC) is enabled, it will keep running during sleep and the device can also wake up from either RTC Overflow or Compare Match interrupt.

#### **10.3.4 Standby Mode**

Standby mode is identical to Power-down with the exception that all enabled system clock sources are kept running, while the CPU, Peripheral and RTC clocks are stopped. This reduces the wake-up time when external crystals or resonators are used.

#### **10.3.5 Extended Standby Mode**

Extended Standby mode is identical to Power-save mode with the exception that all enabled system clock sources are kept running while the CPU and Peripheral clocks are stopped. This reduces the wake-up time when external crystals or resonators are used.

## 11. System Control and Reset

### 11.1 Features

- **Multiple reset sources for safe operation and device reset**
  - Power-On Reset
  - External Reset
  - Watchdog Reset
    - The Watchdog Timer runs from separate, dedicated oscillator
  - Brown-Out Reset
    - Accurate, programmable Brown-Out levels
  - PDI reset
  - Software reset
- **Asynchronous reset**
  - No running clock in the device is required for reset
- **Reset status register**

### 11.2 Resetting the AVR

During reset, all I/O registers are set to their initial values. The SRAM content is not reset. Application execution starts from the Reset Vector. The instruction placed at the Reset Vector should be an Absolute Jump (JMP) instruction to the reset handling routine. By default the Reset Vector address is the lowest Flash program memory address, '0', but it is possible to move the Reset Vector to the first address in the Boot Section.

The I/O ports of the AVR are immediately tri-stated when a reset source goes active.

The reset functionality is asynchronous, so no running clock is required to reset the device.

After the device is reset, the reset source can be determined by the application by reading the Reset Status Register.

### 11.3 Reset Sources

#### 11.3.1 Power-On Reset

The MCU is reset when the supply voltage VCC is below the Power-on Reset threshold voltage.

#### 11.3.2 External Reset

The MCU is reset when a low level is present on the RESET pin.

#### 11.3.3 Watchdog Reset

The MCU is reset when the Watchdog Timer period expires and the Watchdog Reset is enabled. The Watchdog Timer runs from a dedicated oscillator independent of the System Clock. For more details see "[WDT - Watchdog Timer](#)" on page 23.

#### 11.3.4 Brown-Out Reset

The MCU is reset when the supply voltage VCC is below the Brown-Out Reset threshold voltage and the Brown-out Detector is enabled. The Brown-out threshold voltage is programmable.

### 11.3.5 PDI reset

The MCU can be reset through the Program and Debug Interface (PDI).

### 11.3.6 Software reset

The MCU can be reset by the CPU writing to a special I/O register through a timed sequence.

## 12. WDT - Watchdog Timer

### 12.1 Features

- 11 selectable timeout periods, from 8 ms to 8s.
- Two operation modes
  - Standard mode
  - Window mode
- Runs from the 1 kHz output of the 32 kHz Ultra Low Power oscillator
- Configuration lock to prevent unwanted changes

### 12.2 Overview

The XMEGA D4 has a Watchdog Timer (WDT). The WDT will run continuously when turned on and if the Watchdog Timer is not reset within a software configurable time-out period, the microcontroller will be reset. The Watchdog Reset (WDR) instruction must be run by software to reset the WDT, and prevent microcontroller reset.

The WDT has a Window mode. In this mode the WDR instruction must be run within a specified period called a window. Application software can set the minimum and maximum limits for this window. If the WDR instruction is not executed inside the window limits, the microcontroller will be reset.

A protection mechanism using a timed write sequence is implemented in order to prevent unwanted enabling, disabling or change of WDT settings.

For maximum safety, the WDT also has an Always-on mode. This mode is enabled by programming a fuse. In Always-on mode, application software can not disable the WDT.

## 13. PMIC - Programmable Multi-level Interrupt Controller

### 13.1 Features

- Separate interrupt vector for each interrupt
- Short, predictable interrupt response time
- Programmable Multi-level Interrupt Controller
  - 3 programmable interrupt levels
  - Selectable priority scheme within low level interrupts (round-robin or fixed)
  - Non-Maskable Interrupts (NMI)
- Interrupt vectors can be moved to the start of the Boot Section

### 13.2 Overview

XMEGA D4 has a Programmable Multi-level Interrupt Controller (PMIC). All peripherals can define three different priority levels for interrupts; high, medium or low. Medium level interrupts may interrupt low level interrupt service routines. High level interrupts may interrupt both low- and medium level interrupt service routines. Low level interrupts have an optional round robin scheme to make sure all interrupts are serviced within a certain amount of time.

The built in oscillator failure detection mechanism can issue a Non-Maskable Interrupt (NMI).

### 13.3 Interrupt vectors

When an interrupt is serviced, the program counter will jump to the interrupt vector address. The interrupt vector is the sum of the peripheral's base interrupt address and the offset address for specific interrupts in each peripheral. The base addresses for the XMEGA D4 devices are shown in [Table 13-1](#). Offset addresses for each interrupt available in the peripheral are described for each peripheral in the XMEGA A manual. For peripherals or modules that have only one interrupt, the interrupt vector is shown in [Table 13-1](#). The program address is the word address.

**Table 13-1.** Reset and Interrupt Vectors

| Program Address<br>(Base Address) | Source           | Interrupt Description                             |
|-----------------------------------|------------------|---|
| 0x000                             | RESET            |   |
| 0x002                             | OSCF_INT_vect    | Crystal Oscillator Failure Interrupt vector (NMI) |
| 0x004                             | PORTC_INT_base   | Port C Interrupt base                             |
| 0x008                             | PORTR_INT_base   | Port R Interrupt base                             |
| 0x014                             | RTC_INT_base     | Real Time Counter Interrupt base                  |
| 0x018                             | TWIC_INT_base    | Two-Wire Interface on Port C Interrupt base       |
| 0x01C                             | TCC0_INT_base    | Timer/Counter 0 on port C Interrupt base          |
| 0x028                             | TCC1_INT_base    | Timer/Counter 1 on port C Interrupt base          |
| 0x030                             | SPIC_INT_vect    | SPI on port C Interrupt vector                    |
| 0x032                             | USARTC0_INT_base | USART 0 on port C Interrupt base                  |
| 0x040                             | NVM_INT_base     | Non-Volatile Memory Interrupt base                |
| 0x044                             | PORTB_INT_base   | Port B Interrupt base                             |
| 0x056                             | PORTE_INT_base   | Port E Interrupt base                             |



Table 13-1. Reset and Interrupt Vectors (Continued)

| Program Address<br>(Base Address) | Source           | Interrupt Description                                |
|-----------------------------------|------------------|--|
| 0x05A                             | TWIE_INT_base    | Two-Wire Interface on Port E Interrupt base          |
| 0x05E                             | TCE0_INT_base    | Timer/Counter 0 on port E Interrupt base             |
| 0x080                             | PORTD_INT_base   | Port D Interrupt base                                |
| 0x084                             | PORTA_INT_base   | Port A Interrupt base                                |
| 0x088                             | ACA_INT_base     | Analog Comparator on Port A Interrupt base           |
| 0x08E                             | ADCA_INT_base    | Analog to Digital Converter on Port A Interrupt base |
| 0x09A                             | TCD0_INT_base    | Timer/Counter 0 on port D Interrupt base             |
| 0x0AE                             | SPID_INT_vector  | SPI on port D Interrupt vector                       |
| 0x0B0                             | USARTD0_INT_base | USART 0 on port D Interrupt base                     |

## 14. I/O Ports

### 14.1 Features

- Selectable input and output configuration for each pin individually
- Flexible pin configuration through dedicated Pin Configuration Register
- Synchronous and/or asynchronous input sensing with port interrupts and events
  - Sense both edges
  - Sense rising edges
  - Sense falling edges
  - Sense low level
- Asynchronous wake-up from all input sensing configurations
- Highly configurable output driver and pull settings:
  - Totem-pole
  - Pull-up/-down
  - Wired-AND
  - Wired-OR
  - Bus keeper
  - Inverted I/O
- Flexible pin masking
- Configuration of multiple pins in a single operation
- Read-Modify-Write (RMW) support
- Toggle/clear/set registers for Output and Direction registers
- Clock output on port pin
- Event Channel 7 output on port pin
- Mapping of port registers (virtual ports) into bit accessible I/O memory space

### 14.2 Overview

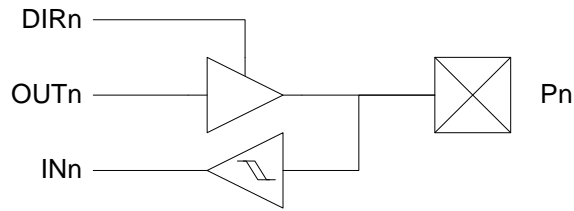
The XMEGA D4 devices have flexible General Purpose I/O Ports. A port consists of up to 8 pins, ranging from pin 0 to pin 7. The ports implement several functions, including synchronous/asynchronous input sensing, pin change interrupts and configurable output settings. All functions are individual per pin, but several pins may be configured in a single operation.

### 14.3 I/O configuration

All port pins (P<sub>n</sub>) have programmable output configuration. In addition, all port pins have an inverted I/O function. For an input, this means inverting the signal between the port pin and the pin register. For an output, this means inverting the output signal between the port register and the port pin. The inverted I/O function can be used also when the pin is used for alternate functions.

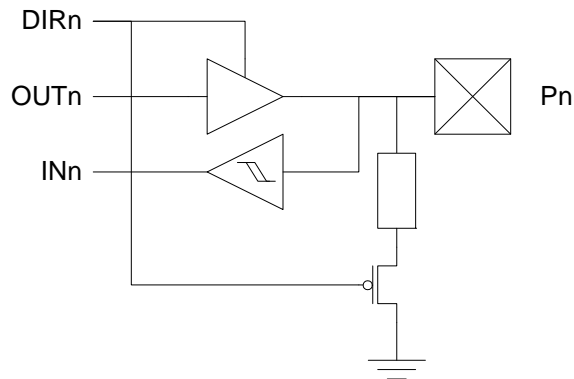
14.3.1 Push-pull

Figure 14-1. I/O configuration - Totem-pole



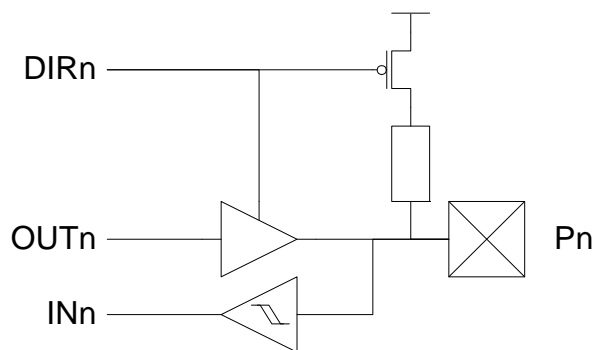
14.3.2 Pull-down

Figure 14-2. I/O configuration - Totem-pole with pull-down (on input)



14.3.3 Pull-up

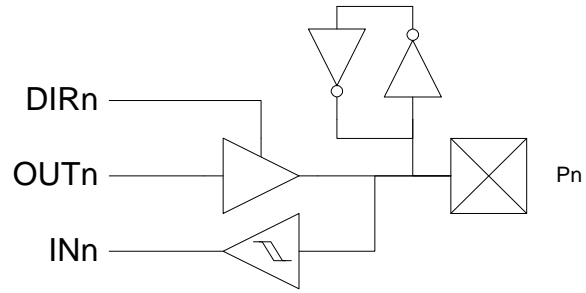
Figure 14-3. I/O configuration - Totem-pole with pull-up (on input)



14.3.4 Bus-keeper

The bus-keeper's weak output produces the same logical level as the last output level. It acts as a pull-up if the last level was '1', and pull-down if the last level was '0'.

Figure 14-4. I/O configuration - Totem-pole with bus-keeper



14.3.5 Others

Figure 14-5. Output configuration - Wired-OR with optional pull-down

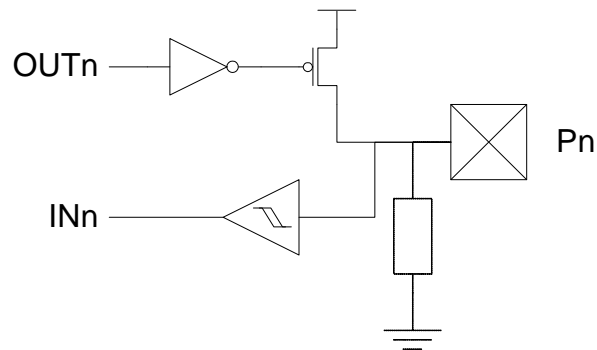
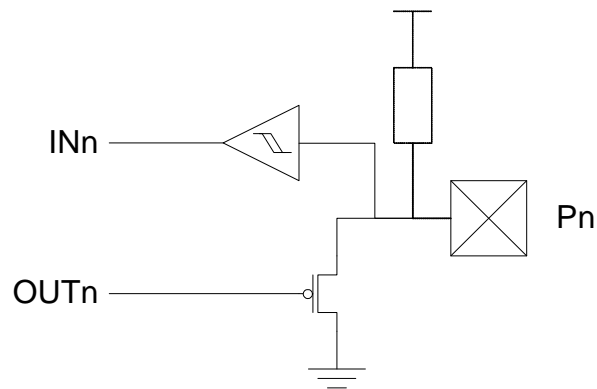


Figure 14-6. I/O configuration - Wired-AND with optional pull-up

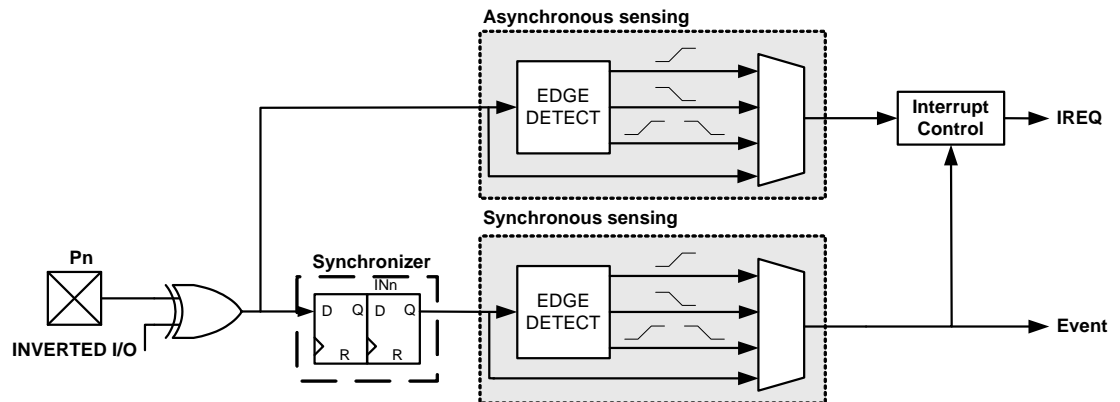


## 14.4 Input sensing

- Sense both edges
- Sense rising edges
- Sense falling edges
- Sense low level

Input sensing is synchronous or asynchronous depending on the enabled clock for the ports, and the configuration is shown in [Figure 14-7 on page 29](#).

**Figure 14-7.** Input sensing system overview



When a pin is configured with inverted I/O, the pin value is inverted before the input sensing.

## 14.5 Port Interrupt

Each port has two interrupts with separate priority and interrupt vector. All pins on the port can be individually selected as source for each of the interrupts. The interrupts are then triggered according to the input sense configuration for each pin configured as source for the interrupt.

## 14.6 Alternate Port Functions

In addition to the input/output functions on all port pins, most pins have alternate functions. This means that other modules or peripherals connected to the port can use the port pins for their functions, such as communication or pulse-width modulation. ["Pinout and Pin Functions" on page 46](#) shows which modules on peripherals that enable alternate functions on a pin, and which alternate function is available on a pin.

## 15. T/C - 16-bit Timer/Counter

### 15.1 Features

- **Four 16-bit Timer/Counters**
  - Three Timer/Counters of type 0
  - One Timer/Counters of type 1
- **Three Compare or Capture (CC) Channels in Timer/Counter 0**
- **Two Compare or Capture (CC) Channels in Timer/Counter 1**
- **Double Buffered Timer Period Setting**
- **Double Buffered Compare or Capture Channels**
- **Waveform Generation:**
  - Single Slope Pulse Width Modulation
  - Dual Slope Pulse Width Modulation
  - Frequency Generation
- **Input Capture:**
  - Input Capture with Noise Cancelling
  - Frequency capture
  - Pulse width capture
  - 32-bit input capture
- **Event Counter with Direction Control**
- **Timer Overflow and Timer Error Interrupts and Events**
- **One Compare Match or Capture Interrupt and Event per CC Channel**
- **Hi-Resolution Extension (Hi-Res)**
- **Advanced Waveform Extension (AWEX)**

### 15.2 Overview

XMEGA D4 has four Timer/Counters, three Timer/Counter 0 and one Timer/Counter 1. The difference between them is that Timer/Counter 0 has four Compare/Capture channels, while Timer/Counter 1 has two Compare/Capture channels.

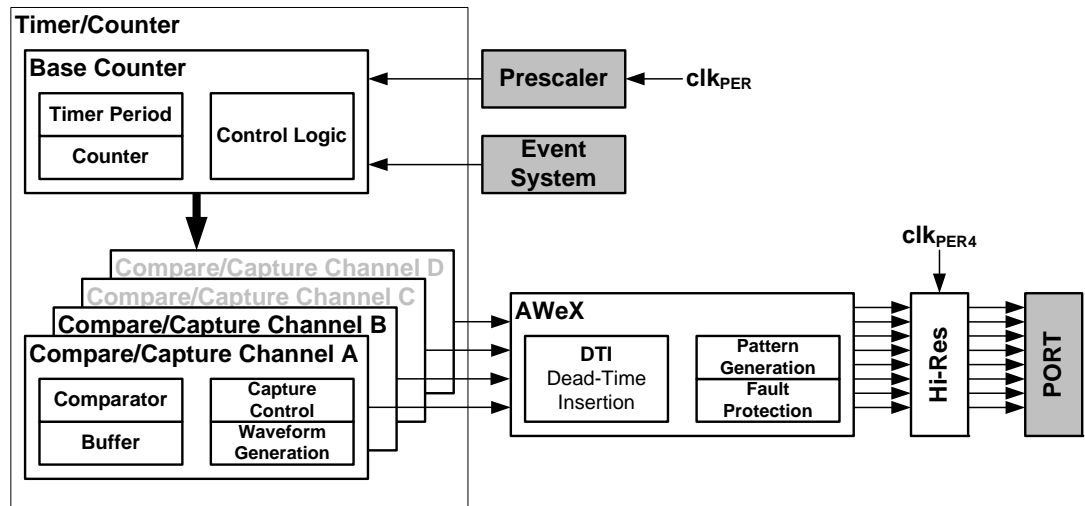
The Timer/Counters (T/C) are 16-bit and can count any clock, event or external input in the microcontroller. A programmable prescaler is available to get a useful T/C resolution. Updates of Timer and Compare registers are double buffered to ensure glitch free operation. Single slope PWM, dual slope PWM and frequency generation waveforms can be generated using the Compare Channels.

Through the Event System, any input pin or event in the microcontroller can be used to trigger input capture, hence no dedicated pins are required for this. The input capture has a noise canceller to avoid incorrect capture of the T/C, and can be used to do frequency and pulse width measurements.

A wide range of interrupt or event sources are available, including T/C Overflow, Compare match and Capture for each Compare/Capture channel in the T/C.

PORTC has one Timer/Counter 0 and one Timer/Counter1. PORTD and PORTE each have one Timer/Counter0. Notation of these are TCC0 (Time/Counter C0), TCC1, TCD0 and TCE0, respectively.

Figure 15-1. Overview of a Timer/Counter and closely related peripherals



The Hi-Resolution Extension can be enabled to increase the waveform generation resolution by 2 bits (4x). This is available for all Timer/Counters. See ["Hi-Res - High Resolution Extension"](#) on page 33 for more details.

The Advanced Waveform Extension can be enabled to provide extra and more advanced feature for the Timer/Counter. This is only available for Timer/Counter 0. See ["AWEX - Advanced Waveform Extension"](#) on page 32 for more details.

## 16. AWEX - Advanced Waveform Extension

### 16.1 Features

- Output with complementary output from each Capture channel
- Four Dead Time Insertion (DTI) Units, one for each Capture channel
- 8-bit DTI Resolution
- Separate High and Low Side Dead-Time Setting
- Double Buffered Dead-Time
- Event Controlled Fault Protection
- Single Channel Multiple Output Operation (for BLDC motor control)
- Double Buffered Pattern Generation

### 16.2 Overview

The Advanced Waveform Extension (AWEX) provides extra features to the Timer/Counter in Waveform Generation (WG) modes. The AWEX enables easy and safe implementation of for example, advanced motor control (AC, BLDC, SR, and Stepper) and power control applications.

Any WG output from a Timer/Counter 0 is split into a complimentary pair of outputs when any AWEX feature is enabled. These output pairs go through a Dead-Time Insertion (DTI) unit that enables generation of the non-inverted Low Side (LS) and inverted High Side (HS) of the WG output with dead time insertion between LS and HS switching. The DTI output will override the normal port value according to the port override setting. Optionally the final output can be inverted by using the invert I/O setting for the port pin.

The Pattern Generation unit can be used to generate a synchronized bit pattern on the port it is connected to. In addition, the waveform generator output from Compare Channel A can be distributed to, and override all port pins. When the Pattern Generator unit is enabled, the DTI unit is bypassed.

The Fault Protection unit is connected to the Event System. This enables any event to trigger a fault condition that will disable the AWEX output. Several event channels can be used to trigger fault on several different conditions.

The AWEX is available for TCC0. The notation of this is AWEXC.



## 17. Hi-Res - High Resolution Extension

### 17.1 Features

- **Increases Waveform Generator resolution by 2-bits (4x)**
- **Supports Frequency, single- and dual-slope PWM operation**
- **Supports the AWEX when this is enabled and used for the same Timer/Counter**

### 17.2 Overview

The Hi-Resolution (Hi-Res) Extension is able to increase the resolution of the waveform generation output by a factor of 4. When enabled for a Timer/Counter, the Fast Peripheral clock running at four times the CPU clock speed will be as input to the Timer/Counter.

The High Resolution Extension can also be used when an AWEX is enabled and used with a Timer/Counter.

XMEGA D4 devices have one Hi-Res Extension that can be enabled for each Timer/Counter on PORTC. The notation of this is HIRESC.

## 18. RTC - 16-bit Real-Time Counter

### 18.1 Features

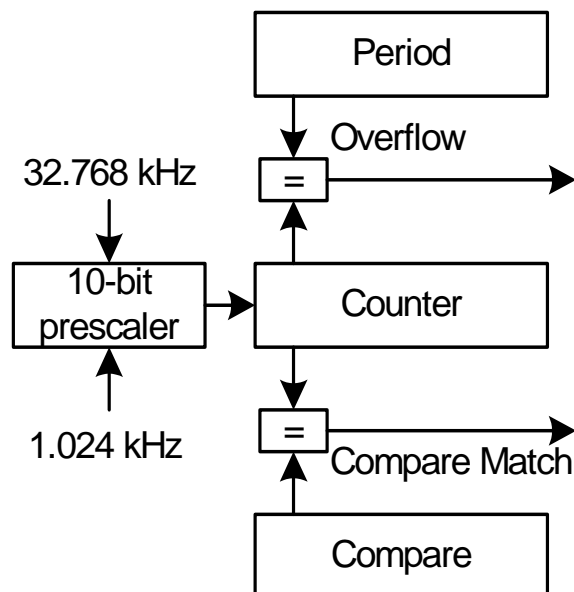
- 16-bit Timer
- Flexible Tick resolution ranging from 1 Hz to 32.768 kHz
- One Compare register
- One Period register
- Clear timer on Overflow or Compare Match
- Overflow or Compare Match event and interrupt generation

### 18.2 Overview

The XMEGA D4 includes a 16-bit Real-time Counter (RTC). The RTC can be clocked from an accurate 32.768 kHz Crystal Oscillator, the 32.768 kHz Calibrated Internal Oscillator, or from the 32 kHz Ultra Low Power Internal Oscillator. The RTC includes both a Period and a Compare register. For details, see [Figure 18-1](#).

A wide range of Resolution and Time-out periods can be configured using the RTC. With a maximum resolution of 30.5  $\mu$ s, time-out periods range up to 2000 seconds. With a resolution of 1 second, the maximum time-out period is over 18 hours (65536 seconds).

**Figure 18-1.** Real Time Counter overview



## 19. TWI - Two-Wire Interface

### 19.1 Features

- Two identical TWI peripherals
- Simple yet Powerful and Flexible Communication Interface
- Both Master and Slave Operation Supported
- Device can Operate as Transmitter or Receiver
- 7-bit Address Space Allows up to 128 Different Slave Addresses
- Multi-master Arbitration Support
- Up to 400 kHz Data Transfer Speed
- Slew-rate Limited Output Drivers
- Noise Suppression Circuitry Rejects Spikes on Bus Lines
- Fully Programmable Slave Address with General Call Support
- Address Recognition Causes Wake-up when in Sleep Mode
- I<sup>2</sup>C and System Management Bus (SMBus) compatible

### 19.2 Overview

The Two-Wire Interface (TWI) is a bi-directional wired-AND bus with only two lines, the clock (SCL) line and the data (SDA) line. The protocol makes it possible to interconnect up to 128 individually addressable devices. Since it is a multi-master bus, one or more devices capable of taking control of the bus can be connected.

The only external hardware needed to implement the bus is a single pull-up resistor for each of the TWI bus lines. Mechanisms for resolving bus contention are inherent in the TWI protocol.

PORTC and PORTE each has one TWI. Notation of these peripherals are TWIC and TWIE, respectively.

## 20. SPI - Serial Peripheral Interface

### 20.1 Features

- Two Identical SPI peripherals
- Full-duplex, Three-wire Synchronous Data Transfer
- Master or Slave Operation
- LSB First or MSB First Data Transfer
- Seven Programmable Bit Rates
- End of Transmission Interrupt Flag
- Write Collision Flag Protection
- Wake-up from Idle Mode
- Double Speed (CK/2) Master SPI Mode

### 20.2 Overview

The Serial Peripheral Interface (SPI) allows high-speed full-duplex, synchronous data transfer between different devices. Devices can communicate using a master-slave scheme, and data is transferred both to and from the devices simultaneously.

PORTC and PORTD each has one SPI. Notation of these peripherals are SPIC and SPID, respectively.

## 21. USART

### 21.1 Features

- Two Identical USART peripherals
- Full Duplex Operation (Independent Serial Receive and Transmit Registers)
- Asynchronous or Synchronous Operation
- Master or Slave Clocked Synchronous Operation
- High-resolution Arithmetic Baud Rate Generator
- Supports Serial Frames with 5, 6, 7, 8, or 9 Data Bits and 1 or 2 Stop Bits
- Odd or Even Parity Generation and Parity Check Supported by Hardware
- Data OverRun Detection
- Framing Error Detection
- Noise Filtering Includes False Start Bit Detection and Digital Low Pass Filter
- Three Separate Interrupts on TX Complete, TX Data Register Empty and RX Complete
- Multi-processor Communication Mode
- Double Speed Asynchronous Communication Mode
- Master SPI mode for SPI communication
- IrDA support through the IRCOM module

### 21.2 Overview

The Universal Synchronous and Asynchronous serial Receiver and Transmitter (USART) is a highly flexible serial communication module. The USART supports full duplex communication, and both asynchronous and clocked synchronous operation. The USART can also be set in Master SPI mode to be used for SPI communication.

Communication is frame based, and the frame format can be customized to support a wide range of standards. The USART is buffered in both direction, enabling continued data transmission without any delay between frames. There are separate interrupt vectors for receive and transmit complete, enabling fully interrupt driven communication. Frame error and buffer overflow are detected in hardware and indicated with separate status flags. Even or odd parity generation and parity check can also be enabled.

One USART can use the IRCOM module to support IrDA 1.4 physical compliant pulse modulation and demodulation for baud rates up to 115.2 kbps.

PORTC and PORTD each has one USART. Notation of these peripherals are USARTC0, and USARTD0, respectively.

## 22. IRCOM - IR Communication Module

### 22.1 Features

- Pulse modulation/demodulation for infrared communication
- Compatible to IrDA 1.4 physical for baud rates up to 115.2 kbps
- Selectable pulse modulation scheme
  - 3/16 of baud rate period
  - Fixed pulse period, 8-bit programmable
  - Pulse modulation disabled
- Built in filtering
- Can be connected to and used by one USART at a time

### 22.2 Overview

XMEGA contains an Infrared Communication Module (IRCOM) for IrDA communication with baud rates up to 115.2 kbps. This supports three modulation schemes: 3/16 of baud rate period, fixed programmable pulse time based on the Peripheral Clock speed, or pulse modulation disabled. There is one IRCOM available which can be connected to any USART to enable infrared pulse coding/decoding for that USART.

## 23. ADC - 12-bit Analog to Digital Converter

### 23.1 Features

- One ADC with 12-bit resolution
- 200 ksps sample rate
- Signed and Unsigned conversions
- 12 single ended inputs
- 8x4 differential inputs
- 3 internal inputs:
  - Integrated Temperature Sensor
  - VCC voltage divided by 10
  - Bandgap voltage
- Software selectable gain of 2, 4, 8, 16, 32 or 64
- Software Selectable accuracy of 8- or 12-bit.
- Internal or External Reference selection
- Event triggered conversion for accurate timing
- Interrupt/Event on compare result

### 23.2 Overview

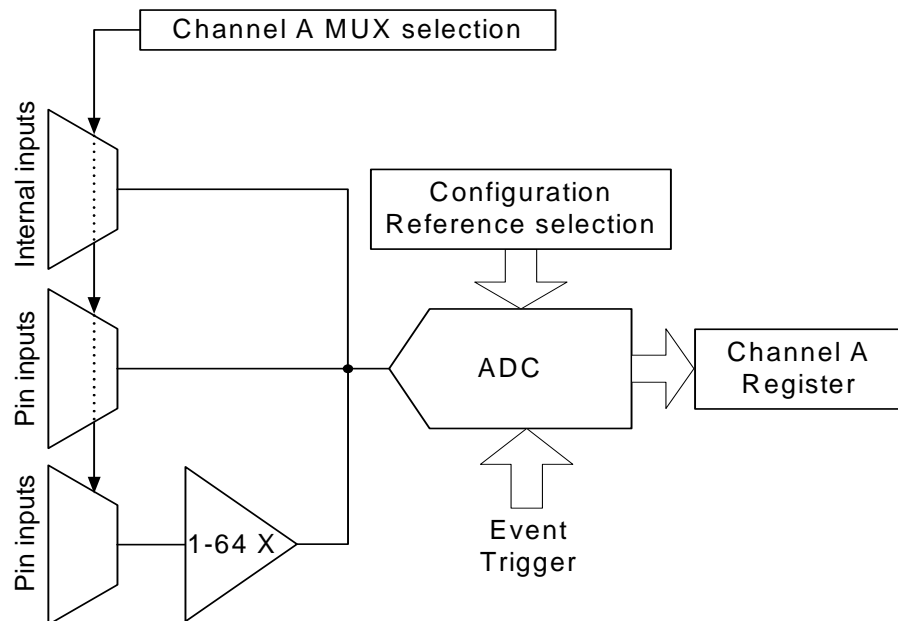
XMEGA D4 devices have one Analog to Digital Converter (ADC), see [Figure 23-1 on page 40](#). The ADC converts analog voltages to digital values. The ADC has 12-bit resolution and is capable of converting up to 200K samples per second. The input selection is flexible, and both singleended and differential measurements can be done. For differential measurements an optional gain stage is available to increase the dynamic range. In addition several internal signal inputs are available. The ADC can provide both signed and unsigned results.

ADC measurements can either be started by application software or an incoming event from another peripheral in the device. The latter ensure the ADC measurements can be started with predictable timing, and without software intervention. The ADC has one channel, meaning there is one input selection (MUX selection) and one result register available.

Both internal and external analog reference voltages can be used. A very accurate internal 1.00V reference is available.

An integrated temperature sensor is available and the output from this can be measured with the ADC. A VCC/10 signal and the Bandgap voltage can also be measured by the ADC.

Figure 23-1. ADC overview



The ADC may be configured for 8- or 12-bit result, reducing the minimum conversion time (propagation delay) from 0.5  $\mu\text{s}$  for 12-bit to 3.7  $\mu\text{s}$  for 8-bit result.

ADC conversion results are provided left- or right adjusted with optional '1' or '0' padding. This eases calculation when the result is represented as a signed integer (signed 16-bit number).

PORTA has one ADC. Notation of this peripheral is ADCA.



## 24. AC - Analog Comparator

### 24.1 Features

- Two Analog Comparators
- Selectable hysteresis
  - No, Small or Large
- Analog Comparator output available on pin
- Flexible Input Selection
  - All pins on the port
  - Bandgap reference voltage.
  - Voltage scaler that can perform a 64-level scaling of the internal VCC voltage.
- Interrupt and event generation on
  - Rising edge
  - Falling edge
  - Toggle
- Window function interrupt and event generation on
  - Signal above window
  - Signal inside window
  - Signal below window

### 24.2 Overview

XMEGA D4 features two Analog Comparators (AC). An Analog Comparator compares two voltages, and the output indicates which input is largest. The Analog Comparator may be configured to give interrupt requests and/or events upon several different combinations of input change.

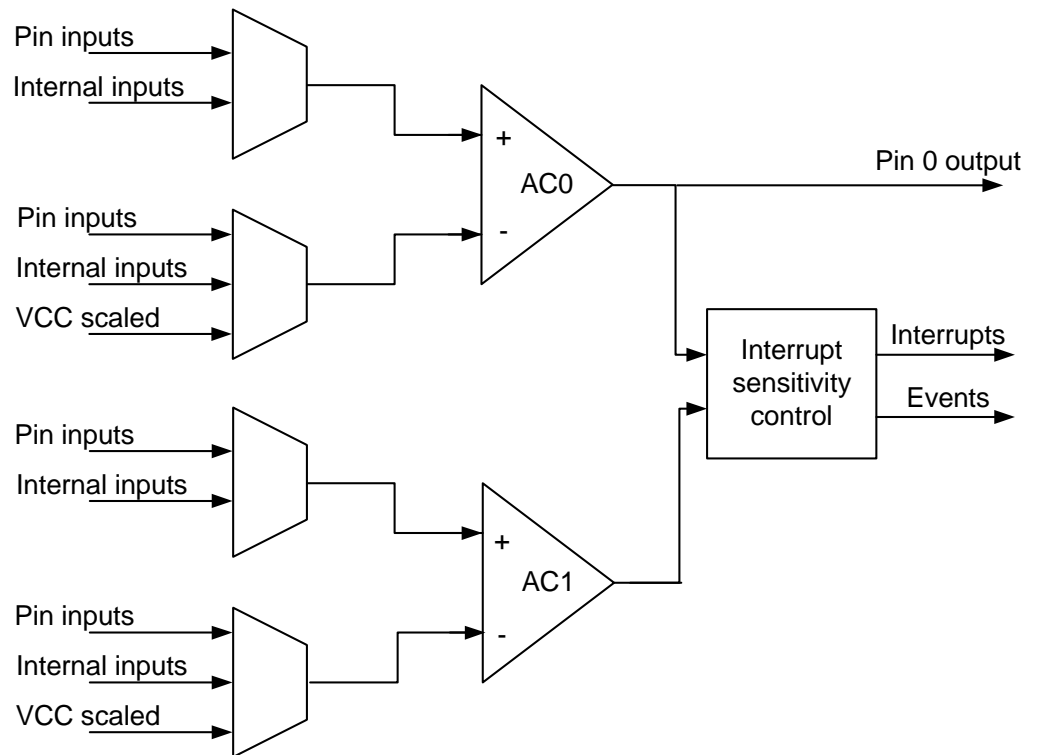
Hysteresis can be adjusted in order to find the optimal operation for each application.

A wide range of input selection is available, both external pins and several internal signals can be used.

The Analog Comparators are always grouped in pairs (AC0 and AC1) on each analog port. They have identical behavior but separate control registers.

Optionally, the state of the comparator is directly available on a pin.

PORTA and has one AC pair. Notations of this peripheral is ACA.

**Figure 24-1.** Analog comparator overview

## 24.3 Input Selection

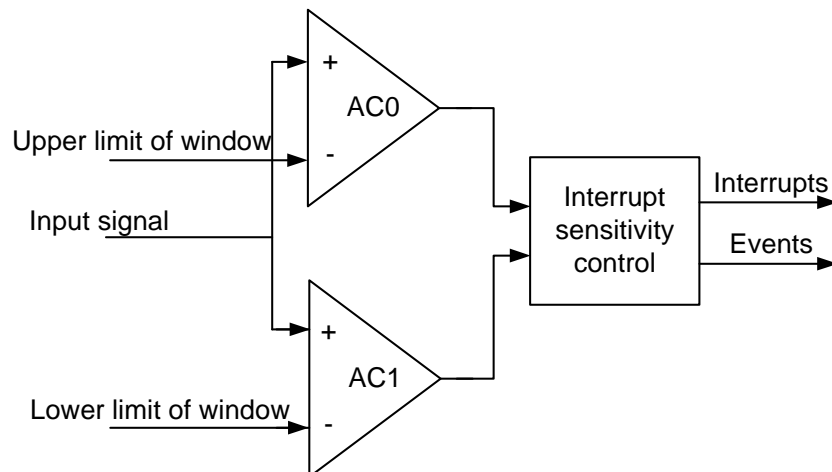
The Analog comparators have a very flexible input selection and the two comparators grouped in a pair may be used to realize a window function. One pair of analog comparators is shown in [Figure 24-1 on page 42](#).

- **Input selection from pin**
  - Pin 0, 1, 2, 3, 4, 5, 6 selectable to positive input of analog comparator
  - Pin 0, 1, 3, 5, 7 selectable to negative input of analog comparator
- **Internal signals available on positive analog comparator inputs**
- **Internal signals available on negative analog comparator inputs**
  - 64-level scaler of the VCC, available on negative analog comparator input
  - Bandgap voltage reference

## 24.4 Window Function

The window function is realized by connecting the external inputs of the two analog comparators in a pair as shown in [Figure 24-2](#).

**Figure 24-2.** Analog comparator window function



## 25. OCD - On-chip Debug

### 25.1 Features

- **Complete Program Flow Control**
  - Go, Stop, Reset, Step into, Step over, Step out, Run-to-Cursor
- **Debugging on C and high-level language source code level**
- **Debugging on Assembler and disassembler level**
- **1 dedicated program address or source level breakpoint for AVR Studio / debugger**
- **4 Hardware Breakpoints**
- **Unlimited Number of User Program Breakpoints**
- **Unlimited Number of User Data Breakpoints, with break on:**
  - Data location read, write or both read and write
  - Data location content equal or not equal to a value
  - Data location content is greater or less than a value
  - Data location content is within or outside a range
  - Bits of a data location are equal or not equal to a value
- **Non-Intrusive Operation**
  - No hardware or software resources in the device are used
- **High Speed Operation**
  - No limitation on debug/programming clock frequency versus system clock frequency

### 25.2 Overview

The XMEGA D4 has a powerful On-Chip Debug (OCD) system that - in combination with Atmel's development tools - provides all the necessary functions to debug an application. It has support for program and data breakpoints, and can debug an application from C and high level language source code level, as well as assembler and disassembler level. It has full Non-Intrusive Operation and no hardware or software resources in the device are used. The ODC system is accessed through an external debugging tool which connects to the PDI physical interface. Refer to "[PDI - Program and Debug Interface](#)" on page 45.

## **26. PDI - Program and Debug Interface**

### **26.1 Features**

- **PDI - Program and Debug Interface (Atmel proprietary 2-pin interface)**
- **Access to the OCD system**
- **Programming of Flash, EEPROM, Fuses and Lock Bits**

### **26.2 Overview**

The programming and debug facilities are accessed through PDI physical interface. The PDI physical interface uses one dedicated pin together with the Reset pin, and no general purpose pins are used.

### **26.3 PDI - Program and Debug Interface**

The PDI is an Atmel proprietary protocol for communication between the microcontroller and Atmel's development tools.

## 27. Pinout and Pin Functions

The pinout of XMEGA D4 is shown in "Pinout/Block Diagram" on page 3. In addition to general I/O functionality, each pin may have several functions. This will depend on which peripheral is enabled and connected to the actual pin. Only one of the alternate pin functions can be used at time.

### 27.1 Alternate Pin Functions Description

The tables below shows the notation for all pin functions available and describe their functions.

#### 27.1.1 Operation/Power Supply

|      |                        |
|------|------------------------|
| VCC  | Digital supply voltage |
| AVCC | Analog supply voltage  |
| GND  | Ground                 |

#### 27.1.2 Port Interrupt functions

|      |  |
|------|--|
| SYNC | Port pin with full synchronous and limited asynchronous interrupt function |
| ASYN | Port pin with full synchronous and full asynchronous interrupt function    |

#### 27.1.3 Analog functions

|        |   |
|--------|---|
| ACn    | Analog Comparator input pin n           |
| AC0OUT | Analog Comparator 0 Output              |
| ADCn   | Analog to Digital Converter input pin n |
| AREF   | Analog Reference input pin              |

#### 27.1.4 Timer/Counter and AWEX functions

|                   |  |
|-------------------|--|
| OCnx              | Output Compare Channel x for Timer/Counter n           |
| $\overline{OCnx}$ | Inverted Output Compare Channel x for Timer/Counter n  |
| OCnxLS            | Output Compare Channel x Low Side for Timer/Counter n  |
| OCnxHS            | Output Compare Channel x High Side for Timer/Counter n |

### 27.1.5 Communication functions

|                 |                              |
|-----------------|------------------------------|
| SCL             | Serial Clock for TWI         |
| SDA             | Serial Data for TWI          |
| XCKn            | Transfer Clock for USART n   |
| RxDn            | Receiver Data for USART n    |
| TxDn            | Transmitter Data for USART n |
| $\overline{SS}$ | Slave Select for SPI         |
| MOSI            | Master Out Slave In for SPI  |
| MISO            | Master In Slave Out for SPI  |
| SCK             | Serial Clock for SPI         |

### 27.1.6 Oscillators, Clock and Event

|       |   |
|-------|---|
| TOSCn | Timer Oscillator pin n                      |
| XTALn | Input/Output for inverting Oscillator pin n |

### 27.1.7 Debug/System functions

|                    |                                       |
|--------------------|---------------------------------------|
| $\overline{RESET}$ | Reset pin                             |
| PDI_CLK            | Program and Debug Interface Clock pin |
| PDI_DATA           | Program and Debug Interface Data pin  |

## 27.2 Alternate Pin Functions

The tables below shows the main and alternate pin functions for all pins on each port. It also shows which peripheral which make use of or enable the alternate pin function.

**Table 27-1.** Port A - Alternate functions

| PORTA | PIN # | INTERRUPT  | ADCA POS | ADCA NEG | ADCA GAINPOS | ADCA GAINNEG | ACA POS | ACA NEG | ACA OUT | REF  |
|-------|-------|------------|----------|----------|--------------|--------------|---------|---------|---------|------|
| GND   | 38    |            |          |          |              |              |         |         |         |      |
| AVCC  | 39    |            |          |          |              |              |         |         |         |      |
| PA0   | 40    | SYNC       | ADC0     | ADC0     | ADC0         |              | AC0     | AC0     |         | AREF |
| PA1   | 41    | SYNC       | ADC1     | ADC1     | ADC1         |              | AC1     | AC1     |         |      |
| PA2   | 42    | SYNC/ASYNC | ADC2     | ADC2     | ADC2         |              | AC2     |         |         |      |
| PA3   | 43    | SYNC       | ADC3     | ADC3     | ADC3         |              | AC3     | AC3     |         |      |
| PA4   | 44    | SYNC       | ADC4     |          | ADC4         | ADC4         | AC4     |         |         |      |
| PA5   | 1     | SYNC       | ADC5     |          | ADC5         | ADC5         | AC5     | AC5     |         |      |
| PA6   | 2     | SYNC       | ADC6     |          | ADC6         | ADC6         | AC6     |         |         |      |
| PA7   | 3     | SYNC       | ADC7     |          | ADC7         | ADC7         |         | AC7     | AC0 OUT |      |

**Table 27-2.** Port B - Alternate functions

| PORTB | PIN # | INTERRUPT  | ADCA POS | REF  |
|-------|-------|------------|----------|------|
| PB0   | 4     | SYNC       | ADC8     | AREF |
| PB1   | 5     | SYNC       | ADC9     |      |
| PB2   | 6     | SYNC/ASYNC | ADC10    |      |
| PB3   | 7     | SYNC       | ADC11    |      |

**Table 27-3.** Port C - Alternate functions

| PORTC | PIN # | INTERRUPT  | TCC0 | AWEXC  | TCC1 | USARTC0 | SPI             | TWIC | CLOCKOUT | EVENTOUT |
|-------|-------|------------|------|--------|------|---------|-----------------|------|----------|----------|
| GND   | 8     |            |      |        |      |         |                 |      |          |          |
| VCC   | 9     |            |      |        |      |         |                 |      |          |          |
| PC0   | 10    | SYNC       | OC0A | OC0ALS |      |         |                 | SDA  |          |          |
| PC1   | 11    | SYNC       | OC0B | OC0AHS |      | XCK0    |                 | SCL  |          |          |
| PC2   | 12    | SYNC/ASYNC | OC0C | OC0BLS |      | RXD0    |                 |      |          |          |
| PC3   | 13    | SYNC       | OC0D | OC0BHS |      | TXD0    |                 |      |          |          |
| PC4   | 14    | SYNC       |      | OC0CLS | OC1A |         | $\overline{SS}$ |      |          |          |
| PC5   | 15    | SYNC       |      | OC0CHS | OC1B |         | MOSI            |      |          |          |
| PC6   | 16    | SYNC       |      | OC0DLS |      |         | MISO            |      |          |          |
| PC7   | 17    | SYNC       |      | OC0DHS |      |         | SCK             |      | CLKOUT   | EVOUT    |



**Table 27-4. Port D - Alternate functions**

| PORTD | PIN # | INTERRUPT  | TCD0 | USARTD0 | SPID            | CLOCKOUT | EVENTOUT |
|-------|-------|------------|------|---------|-----------------|----------|----------|
| GND   | 18    |            |      |         |                 |          |          |
| VCC   | 19    |            |      |         |                 |          |          |
| PD0   | 20    | SYNC       | OC0A |         |                 |          |          |
| PD1   | 21    | SYNC       | OC0B | XCK0    |                 |          |          |
| PD2   | 22    | SYNC/ASYNC | OC0C | RXD0    |                 |          |          |
| PD3   | 23    | SYNC       | OC0D | TXD0    |                 |          |          |
| PD4   | 24    | SYNC       |      |         | $\overline{SS}$ |          |          |
| PD5   | 25    | SYNC       |      |         | MOSI            |          |          |
| PD6   | 26    | SYNC       |      |         | MISO            |          |          |
| PD7   | 27    | SYNC       |      |         | SCK             | CLKOUT   | EVOUT    |

**Table 27-5. Port E - Alternate functions**

| PORT E | PIN # | INTERRUPT  | TCE0 | TWIE |
|--------|-------|------------|------|------|
| PE0    | 28    | SYNC       | OC0A | SDA  |
| PE1    | 29    | SYNC       | OC0B | SCL  |
| GND    | 30    |            |      |      |
| VCC    | 31    |            |      |      |
| PE2    | 32    | SYNC/ASYNC | OC0C |      |
| PE3    | 33    | SYNC       | OC0D |      |

**Table 27-6. Port R - Alternate functions**

| PORTR | PIN # | XTAL  | PDI      | TOSC  |
|-------|-------|-------|----------|-------|
| PDI   | 34    |       | PDI_DATA |       |
| RESET | 35    |       | PDI_CLK  |       |
| PR0   | 36    | XTAL2 |          | TOSC2 |
| PR1   | 37    | XTAL1 |          | TOSC1 |

## 28. Peripheral Module Address Map

The address maps show the base address for each peripheral and module in XMEGA D4. For complete register description and summary for each peripheral module, refer to the XMEGA A Manual.

**Table 28-1.** Peripheral Module Address Map

| Base Address | Name      | Description                                  |
|--------------|-----------|--|
| 0x0000       | GPIO      | General Purpose IO Registers                 |
| 0x0010       | VPORT0    | Virtual Port 0                               |
| 0x0014       | VPORT1    | Virtual Port 1                               |
| 0x0018       | VPORT2    | Virtual Port 2                               |
| 0x001C       | VPORT3    | Virtual Port 2                               |
| 0x0030       | CPU       | CPU  |
| 0x0040       | CLK       | Clock Control                                |
| 0x0048       | SLEEP     | Sleep Controller                             |
| 0x0050       | OSC       | Oscillator Control                           |
| 0x0060       | DFLLRC32M | DFLL for the 32 MHz Internal RC Oscillator   |
| 0x0068       | DFLLRC2M  | DFLL for the 2 MHz RC Oscillator             |
| 0x0070       | PR        | Power Reduction                              |
| 0x0078       | RST       | Reset Controller                             |
| 0x0080       | WDT       | Watch-Dog Timer                              |
| 0x0090       | MCU       | MCU Control                                  |
| 0x00A0       | PMIC      | Programmable MULTilevel Interrupt Controller |
| 0x00B0       | PORTCFG   | Port Configuration                           |
| 0x0180       | EVSYS     | Event System                                 |
| 0x01C0       | NVM       | Non Volatile Memory (NVM) Controller         |
| 0x0200       | ADCA      | Analog to Digital Converter on port A        |
| 0x0380       | ACA       | Analog Comparator pair on port A             |
| 0x0400       | RTC       | Real Time Counter                            |
| 0x0480       | TWIC      | Two Wire Interface on port C                 |
| 0x04A0       | TWIE      | Two Wire Interface on port E                 |
| 0x0600       | PORTA     | Port A                                       |
| 0x0620       | PORTB     | Port B                                       |
| 0x0640       | PORTC     | Port C                                       |
| 0x0660       | PORTD     | Port D                                       |
| 0x0680       | PORTE     | Port E                                       |
| 0x07E0       | PORTR     | Port R                                       |
| 0x0800       | TCC0      | Timer/Counter 0 on port C                    |
| 0x0840       | TCC1      | Timer/Counter 1 on port C                    |
| 0x0880       | AWEXC     | Advanced Waveform Extension on port C        |
| 0x0890       | HIRES     | High Resolution Extension on port C          |
| 0x08A0       | USARTC0   | USART 0 on port C                            |
| 0x08C0       | SPIC      | Serial Peripheral Interface on port C        |
| 0x08F8       | IRCOM     | Infrared Communication Module                |
| 0x0900       | TCD0      | Timer/Counter 0 on port D                    |
| 0x09A0       | USARTD0   | USART 0 on port D                            |
| 0x09C0       | SPID      | Serial Peripheral Interface on port D        |
| 0x0A00       | TCE0      | Timer/Counter 0 on port E                    |

## 29. Instruction Set Summary

| Mnemonics                                | Operands | Description                              | Operation   | Flags       | #Clocks              |
|--|----------|--|---|-------------|----------------------|
| <b>Arithmetic and Logic Instructions</b> |          |  |   |             |                      |
| ADD                                      | Rd, Rr   | Add without Carry                        | $Rd \leftarrow Rd + Rr$                                 | Z,C,N,V,S,H | 1                    |
| ADC                                      | Rd, Rr   | Add with Carry                           | $Rd \leftarrow Rd + Rr + C$                             | Z,C,N,V,S,H | 1                    |
| ADIW                                     | Rd, K    | Add Immediate to Word                    | $Rd \leftarrow Rd + 1:Rd + K$                           | Z,C,N,V,S   | 2                    |
| SUB                                      | Rd, Rr   | Subtract without Carry                   | $Rd \leftarrow Rd - Rr$                                 | Z,C,N,V,S,H | 1                    |
| SUBI                                     | Rd, K    | Subtract Immediate                       | $Rd \leftarrow Rd - K$                                  | Z,C,N,V,S,H | 1                    |
| SBC                                      | Rd, Rr   | Subtract with Carry                      | $Rd \leftarrow Rd - Rr - C$                             | Z,C,N,V,S,H | 1                    |
| SBCI                                     | Rd, K    | Subtract Immediate with Carry            | $Rd \leftarrow Rd - K - C$                              | Z,C,N,V,S,H | 1                    |
| SBIW                                     | Rd, K    | Subtract Immediate from Word             | $Rd + 1:Rd \leftarrow Rd + 1:Rd - K$                    | Z,C,N,V,S   | 2                    |
| AND                                      | Rd, Rr   | Logical AND                              | $Rd \leftarrow Rd \bullet Rr$                           | Z,N,V,S     | 1                    |
| ANDI                                     | Rd, K    | Logical AND with Immediate               | $Rd \leftarrow Rd \bullet K$                            | Z,N,V,S     | 1                    |
| OR                                       | Rd, Rr   | Logical OR                               | $Rd \leftarrow Rd \vee Rr$                              | Z,N,V,S     | 1                    |
| ORI                                      | Rd, K    | Logical OR with Immediate                | $Rd \leftarrow Rd \vee K$                               | Z,N,V,S     | 1                    |
| EOR                                      | Rd, Rr   | Exclusive OR                             | $Rd \leftarrow Rd \oplus Rr$                            | Z,N,V,S     | 1                    |
| COM                                      | Rd       | One's Complement                         | $Rd \leftarrow \$FF - Rd$                               | Z,C,N,V,S   | 1                    |
| NEG                                      | Rd       | Two's Complement                         | $Rd \leftarrow \$00 - Rd$                               | Z,C,N,V,S,H | 1                    |
| SBR                                      | Rd,K     | Set Bit(s) in Register                   | $Rd \leftarrow Rd \vee K$                               | Z,N,V,S     | 1                    |
| CBR                                      | Rd,K     | Clear Bit(s) in Register                 | $Rd \leftarrow Rd \bullet (\$FFh - K)$                  | Z,N,V,S     | 1                    |
| INC                                      | Rd       | Increment                                | $Rd \leftarrow Rd + 1$                                  | Z,N,V,S     | 1                    |
| DEC                                      | Rd       | Decrement                                | $Rd \leftarrow Rd - 1$                                  | Z,N,V,S     | 1                    |
| TST                                      | Rd       | Test for Zero or Minus                   | $Rd \leftarrow Rd \bullet Rd$                           | Z,N,V,S     | 1                    |
| CLR                                      | Rd       | Clear Register                           | $Rd \leftarrow Rd \oplus Rd$                            | Z,N,V,S     | 1                    |
| SER                                      | Rd       | Set Register                             | $Rd \leftarrow \$FF$                                    | None        | 1                    |
| MUL                                      | Rd,Rr    | Multiply Unsigned                        | $R1:R0 \leftarrow Rd \times Rr$ (UU)                    | Z,C         | 2                    |
| MULS                                     | Rd,Rr    | Multiply Signed                          | $R1:R0 \leftarrow Rd \times Rr$ (SS)                    | Z,C         | 2                    |
| MULSU                                    | Rd,Rr    | Multiply Signed with Unsigned            | $R1:R0 \leftarrow Rd \times Rr$ (SU)                    | Z,C         | 2                    |
| FMUL                                     | Rd,Rr    | Fractional Multiply Unsigned             | $R1:R0 \leftarrow Rd \times Rr \ll 1$ (UU)              | Z,C         | 2                    |
| FMULS                                    | Rd,Rr    | Fractional Multiply Signed               | $R1:R0 \leftarrow Rd \times Rr \ll 1$ (SS)              | Z,C         | 2                    |
| FMULSU                                   | Rd,Rr    | Fractional Multiply Signed with Unsigned | $R1:R0 \leftarrow Rd \times Rr \ll 1$ (SU)              | Z,C         | 2                    |
| <b>Branch Instructions</b>               |          |  |   |             |                      |
| RJMP                                     | k        | Relative Jump                            | $PC \leftarrow PC + k + 1$                              | None        | 2                    |
| IJMP                                     |          | Indirect Jump to (Z)                     | $PC(15:0) \leftarrow Z,$<br>$PC(21:16) \leftarrow 0$    | None        | 2                    |
| EIJMP                                    |          | Extended Indirect Jump to (Z)            | $PC(15:0) \leftarrow Z,$<br>$PC(21:16) \leftarrow EIND$ | None        | 2                    |
| JMP                                      | k        | Jump                                     | $PC \leftarrow k$                                       | None        | 3                    |
| RCALL                                    | k        | Relative Call Subroutine                 | $PC \leftarrow PC + k + 1$                              | None        | 2 / 3 <sup>(1)</sup> |
| ICALL                                    |          | Indirect Call to (Z)                     | $PC(15:0) \leftarrow Z,$<br>$PC(21:16) \leftarrow 0$    | None        | 2 / 3 <sup>(1)</sup> |
| EICALL                                   |          | Extended Indirect Call to (Z)            | $PC(15:0) \leftarrow Z,$<br>$PC(21:16) \leftarrow EIND$ | None        | 3 <sup>(1)</sup>     |
| CALL                                     | k        | call Subroutine                          | $PC \leftarrow k$                                       | None        | 3 / 4 <sup>(1)</sup> |

| Mnemonics                         | Operands | Description                         | Operation                             | Flags       | #Clocks              |
|-----------------------------------|----------|-------------------------------------|---------------------------------------|-------------|----------------------|
| RET                               |          | Subroutine Return                   | PC ← STACK                            | None        | 4 / 5 <sup>(1)</sup> |
| RETI                              |          | Interrupt Return                    | PC ← STACK                            | I           | 4 / 5 <sup>(1)</sup> |
| CPSE                              | Rd,Rr    | Compare, Skip if Equal              | if (Rd = Rr) PC ← PC + 2 or 3         | None        | 1 / 2 / 3            |
| CP                                | Rd,Rr    | Compare                             | Rd - Rr                               | Z,C,N,V,S,H | 1                    |
| CPC                               | Rd,Rr    | Compare with Carry                  | Rd - Rr - C                           | Z,C,N,V,S,H | 1                    |
| CPI                               | Rd,K     | Compare with Immediate              | Rd - K                                | Z,C,N,V,S,H | 1                    |
| SBRC                              | Rr, b    | Skip if Bit in Register Cleared     | if (Rr(b) = 0) PC ← PC + 2 or 3       | None        | 1 / 2 / 3            |
| SBRS                              | Rr, b    | Skip if Bit in Register Set         | if (Rr(b) = 1) PC ← PC + 2 or 3       | None        | 1 / 2 / 3            |
| SBIC                              | A, b     | Skip if Bit in I/O Register Cleared | if (I/O(A,b) = 0) PC ← PC + 2 or 3    | None        | 2 / 3 / 4            |
| SBIS                              | A, b     | Skip if Bit in I/O Register Set     | If (I/O(A,b)=1) PC ← PC + 2 or 3      | None        | 2 / 3 / 4            |
| BRBS                              | s, k     | Branch if Status Flag Set           | if (SREG(s) = 1) then PC ← PC + k + 1 | None        | 1 / 2                |
| BRBC                              | s, k     | Branch if Status Flag Cleared       | if (SREG(s) = 0) then PC ← PC + k + 1 | None        | 1 / 2                |
| BREQ                              | k        | Branch if Equal                     | if (Z = 1) then PC ← PC + k + 1       | None        | 1 / 2                |
| BRNE                              | k        | Branch if Not Equal                 | if (Z = 0) then PC ← PC + k + 1       | None        | 1 / 2                |
| BRCS                              | k        | Branch if Carry Set                 | if (C = 1) then PC ← PC + k + 1       | None        | 1 / 2                |
| BRCC                              | k        | Branch if Carry Cleared             | if (C = 0) then PC ← PC + k + 1       | None        | 1 / 2                |
| BRSH                              | k        | Branch if Same or Higher            | if (C = 0) then PC ← PC + k + 1       | None        | 1 / 2                |
| BRLO                              | k        | Branch if Lower                     | if (C = 1) then PC ← PC + k + 1       | None        | 1 / 2                |
| BRMI                              | k        | Branch if Minus                     | if (N = 1) then PC ← PC + k + 1       | None        | 1 / 2                |
| BRPL                              | k        | Branch if Plus                      | if (N = 0) then PC ← PC + k + 1       | None        | 1 / 2                |
| BRGE                              | k        | Branch if Greater or Equal, Signed  | if (N ⊕ V = 0) then PC ← PC + k + 1   | None        | 1 / 2                |
| BRLT                              | k        | Branch if Less Than, Signed         | if (N ⊕ V = 1) then PC ← PC + k + 1   | None        | 1 / 2                |
| BRHS                              | k        | Branch if Half Carry Flag Set       | if (H = 1) then PC ← PC + k + 1       | None        | 1 / 2                |
| BRHC                              | k        | Branch if Half Carry Flag Cleared   | if (H = 0) then PC ← PC + k + 1       | None        | 1 / 2                |
| BRTS                              | k        | Branch if T Flag Set                | if (T = 1) then PC ← PC + k + 1       | None        | 1 / 2                |
| BRTC                              | k        | Branch if T Flag Cleared            | if (T = 0) then PC ← PC + k + 1       | None        | 1 / 2                |
| BRVS                              | k        | Branch if Overflow Flag is Set      | if (V = 1) then PC ← PC + k + 1       | None        | 1 / 2                |
| BRVC                              | k        | Branch if Overflow Flag is Cleared  | if (V = 0) then PC ← PC + k + 1       | None        | 1 / 2                |
| BRIE                              | k        | Branch if Interrupt Enabled         | if (I = 1) then PC ← PC + k + 1       | None        | 1 / 2                |
| BRID                              | k        | Branch if Interrupt Disabled        | if (I = 0) then PC ← PC + k + 1       | None        | 1 / 2                |
| <b>Data Transfer Instructions</b> |          |                                     |                                       |             |                      |
| MOV                               | Rd, Rr   | Copy Register                       | Rd ← Rr                               | None        | 1                    |
| MOVW                              | Rd, Rr   | Copy Register Pair                  | Rd+1:Rd ← Rr+1:Rr                     | None        | 1                    |
| LDI                               | Rd, K    | Load Immediate                      | Rd ← K                                | None        | 1                    |
| LDS                               | Rd, k    | Load Direct from data space         | Rd ← (k)                              | None        | 2 <sup>(1)(2)</sup>  |
| LD                                | Rd, X    | Load Indirect                       | Rd ← (X)                              | None        | 1 <sup>(1)(2)</sup>  |
| LD                                | Rd, X+   | Load Indirect and Post-Increment    | Rd ← (X)<br>X ← X + 1                 | None        | 1 <sup>(1)(2)</sup>  |
| LD                                | Rd, -X   | Load Indirect and Pre-Decrement     | X ← X - 1,<br>Rd ← (X) ← (X)          | None        | 2 <sup>(1)(2)</sup>  |
| LD                                | Rd, Y    | Load Indirect                       | Rd ← (Y) ← (Y)                        | None        | 1 <sup>(1)(2)</sup>  |
| LD                                | Rd, Y+   | Load Indirect and Post-Increment    | Rd ← (Y)<br>Y ← Y + 1                 | None        | 1 <sup>(1)(2)</sup>  |

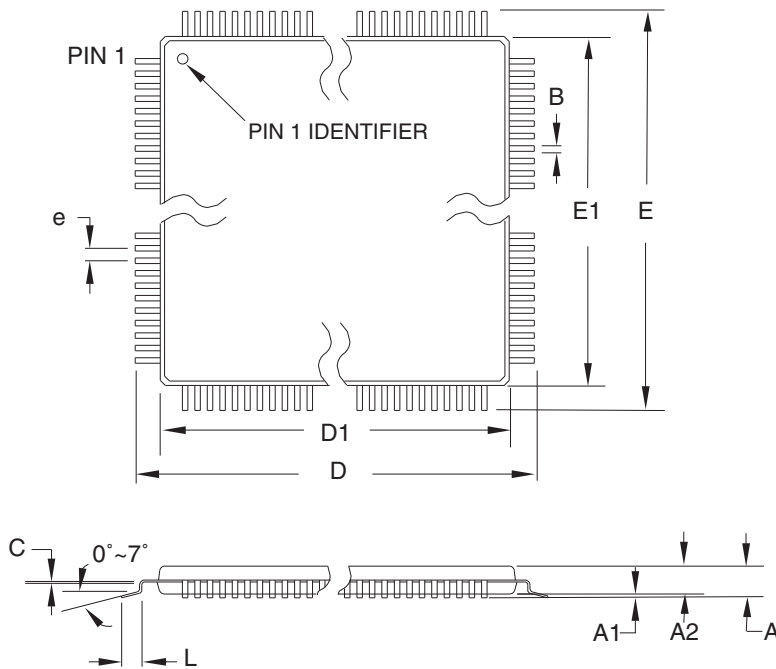
| Mnemonics                            | Operands | Description                                     | Operation                                   | Flags     | #Clocks             |
|--------------------------------------|----------|---|---|-----------|---------------------|
| LD                                   | Rd, -Y   | Load Indirect and Pre-Decrement                 | Y ← Y - 1<br>Rd ← (Y)                       | None      | 2 <sup>(1)(2)</sup> |
| LDD                                  | Rd, Y+q  | Load Indirect with Displacement                 | Rd ← (Y + q)                                | None      | 2 <sup>(1)(2)</sup> |
| LD                                   | Rd, Z    | Load Indirect                                   | Rd ← (Z)                                    | None      | 1 <sup>(1)(2)</sup> |
| LD                                   | Rd, Z+   | Load Indirect and Post-Increment                | Rd ← (Z),<br>Z ← Z+1                        | None      | 1 <sup>(1)(2)</sup> |
| LD                                   | Rd, -Z   | Load Indirect and Pre-Decrement                 | Z ← Z - 1,<br>Rd ← (Z)                      | None      | 2 <sup>(1)(2)</sup> |
| LDD                                  | Rd, Z+q  | Load Indirect with Displacement                 | Rd ← (Z + q)                                | None      | 2 <sup>(1)(2)</sup> |
| STS                                  | k, Rr    | Store Direct to Data Space                      | (k) ← Rr                                    | None      | 2 <sup>(1)</sup>    |
| ST                                   | X, Rr    | Store Indirect                                  | (X) ← Rr                                    | None      | 1 <sup>(1)</sup>    |
| ST                                   | X+, Rr   | Store Indirect and Post-Increment               | (X) ← Rr,<br>X ← X + 1                      | None      | 1 <sup>(1)</sup>    |
| ST                                   | -X, Rr   | Store Indirect and Pre-Decrement                | X ← X - 1,<br>(X) ← Rr                      | None      | 2 <sup>(1)</sup>    |
| ST                                   | Y, Rr    | Store Indirect                                  | (Y) ← Rr                                    | None      | 1 <sup>(1)</sup>    |
| ST                                   | Y+, Rr   | Store Indirect and Post-Increment               | (Y) ← Rr,<br>Y ← Y + 1                      | None      | 1 <sup>(1)</sup>    |
| ST                                   | -Y, Rr   | Store Indirect and Pre-Decrement                | Y ← Y - 1,<br>(Y) ← Rr                      | None      | 2 <sup>(1)</sup>    |
| STD                                  | Y+q, Rr  | Store Indirect with Displacement                | (Y + q) ← Rr                                | None      | 2 <sup>(1)</sup>    |
| ST                                   | Z, Rr    | Store Indirect                                  | (Z) ← Rr                                    | None      | 1 <sup>(1)</sup>    |
| ST                                   | Z+, Rr   | Store Indirect and Post-Increment               | (Z) ← Rr,<br>Z ← Z + 1                      | None      | 1 <sup>(1)</sup>    |
| ST                                   | -Z, Rr   | Store Indirect and Pre-Decrement                | Z ← Z - 1                                   | None      | 2 <sup>(1)</sup>    |
| STD                                  | Z+q,Rr   | Store Indirect with Displacement                | (Z + q) ← Rr                                | None      | 2 <sup>(1)</sup>    |
| LPM                                  |          | Load Program Memory                             | R0 ← (Z)                                    | None      | 3                   |
| LPM                                  | Rd, Z    | Load Program Memory                             | Rd ← (Z)                                    | None      | 3                   |
| LPM                                  | Rd, Z+   | Load Program Memory and Post-Increment          | Rd ← (Z),<br>Z ← Z + 1                      | None      | 3                   |
| ELPM                                 |          | Extended Load Program Memory                    | R0 ← (RAMPZ:Z)                              | None      | 3                   |
| ELPM                                 | Rd, Z    | Extended Load Program Memory                    | Rd ← (RAMPZ:Z)                              | None      | 3                   |
| ELPM                                 | Rd, Z+   | Extended Load Program Memory and Post-Increment | Rd ← (RAMPZ:Z),<br>Z ← Z + 1                | None      | 3                   |
| SPM                                  |          | Store Program Memory                            | (RAMPZ:Z) ← R1:R0                           | None      | -                   |
| SPM                                  | Z+       | Store Program Memory and Post-Increment by 2    | (RAMPZ:Z) ← R1:R0,<br>Z ← Z + 2             | None      | -                   |
| IN                                   | Rd, A    | In From I/O Location                            | Rd ← I/O(A)                                 | None      | 1                   |
| OUT                                  | A, Rr    | Out To I/O Location                             | I/O(A) ← Rr                                 | None      | 1                   |
| PUSH                                 | Rr       | Push Register on Stack                          | STACK ← Rr                                  | None      | 1 <sup>(1)</sup>    |
| POP                                  | Rd       | Pop Register from Stack                         | Rd ← STACK                                  | None      | 2 <sup>(1)</sup>    |
| <b>Bit and Bit-test Instructions</b> |          |   |   |           |                     |
| LSL                                  | Rd       | Logical Shift Left                              | Rd(n+1) ← Rd(n),<br>Rd(0) ← 0,<br>C ← Rd(7) | Z,C,N,V,H | 1                   |
| LSR                                  | Rd       | Logical Shift Right                             | Rd(n) ← Rd(n+1),<br>Rd(7) ← 0,<br>C ← Rd(0) | Z,C,N,V   | 1                   |

| Mnemonics                       | Operands | Description                     | Operation                                   | Flags     | #Clocks |
|---------------------------------|----------|---------------------------------|---|-----------|---------|
| ROL                             | Rd       | Rotate Left Through Carry       | Rd(0) ← C,<br>Rd(n+1) ← Rd(n),<br>C ← Rd(7) | Z,C,N,V,H | 1       |
| ROR                             | Rd       | Rotate Right Through Carry      | Rd(7) ← C,<br>Rd(n) ← Rd(n+1),<br>C ← Rd(0) | Z,C,N,V   | 1       |
| ASR                             | Rd       | Arithmetic Shift Right          | Rd(n) ← Rd(n+1), n=0..6                     | Z,C,N,V   | 1       |
| SWAP                            | Rd       | Swap Nibbles                    | Rd(3..0) ↔ Rd(7..4)                         | None      | 1       |
| BSET                            | s        | Flag Set                        | SREG(s) ← 1                                 | SREG(s)   | 1       |
| BCLR                            | s        | Flag Clear                      | SREG(s) ← 0                                 | SREG(s)   | 1       |
| SBI                             | A, b     | Set Bit in I/O Register         | I/O(A, b) ← 1                               | None      | 1       |
| CBI                             | A, b     | Clear Bit in I/O Register       | I/O(A, b) ← 0                               | None      | 1       |
| BST                             | Rr, b    | Bit Store from Register to T    | T ← Rr(b)                                   | T         | 1       |
| BLD                             | Rd, b    | Bit load from T to Register     | Rd(b) ← T                                   | None      | 1       |
| SEC                             |          | Set Carry                       | C ← 1                                       | C         | 1       |
| CLC                             |          | Clear Carry                     | C ← 0                                       | C         | 1       |
| SEN                             |          | Set Negative Flag               | N ← 1                                       | N         | 1       |
| CLN                             |          | Clear Negative Flag             | N ← 0                                       | N         | 1       |
| SEZ                             |          | Set Zero Flag                   | Z ← 1                                       | Z         | 1       |
| CLZ                             |          | Clear Zero Flag                 | Z ← 0                                       | Z         | 1       |
| SEI                             |          | Global Interrupt Enable         | I ← 1                                       | I         | 1       |
| CLI                             |          | Global Interrupt Disable        | I ← 0                                       | I         | 1       |
| SES                             |          | Set Signed Test Flag            | S ← 1                                       | S         | 1       |
| CLS                             |          | Clear Signed Test Flag          | S ← 0                                       | S         | 1       |
| SEV                             |          | Set Two's Complement Overflow   | V ← 1                                       | V         | 1       |
| CLV                             |          | Clear Two's Complement Overflow | V ← 0                                       | V         | 1       |
| SET                             |          | Set T in SREG                   | T ← 1                                       | T         | 1       |
| CLT                             |          | Clear T in SREG                 | T ← 0                                       | T         | 1       |
| SEH                             |          | Set Half Carry Flag in SREG     | H ← 1                                       | H         | 1       |
| CLH                             |          | Clear Half Carry Flag in SREG   | H ← 0                                       | H         | 1       |
| <b>MCU Control Instructions</b> |          |                                 |   |           |         |
| BREAK                           |          | Break                           | (See specific descr. for BREAK)             | None      | 1       |
| NOP                             |          | No Operation                    |   | None      | 1       |
| SLEEP                           |          | Sleep                           | (see specific descr. for Sleep)             | None      | 1       |
| WDR                             |          | Watchdog Reset                  | (see specific descr. for WDR)               | None      | 1       |

- Notes:
1. Cycle times for Data memory accesses assume internal memory accesses, and are not valid for accesses via the external RAM interface.
  2. One extra cycle must be added when accessing Internal SRAM.

### 30. Packaging information

#### 30.1 44A




**COMMON DIMENSIONS**  
(Unit of Measure = mm)

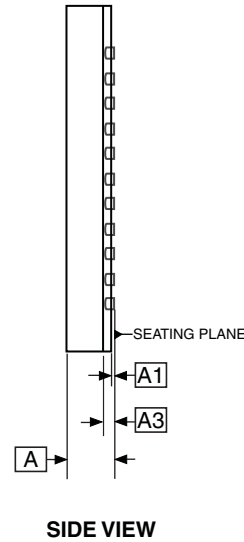
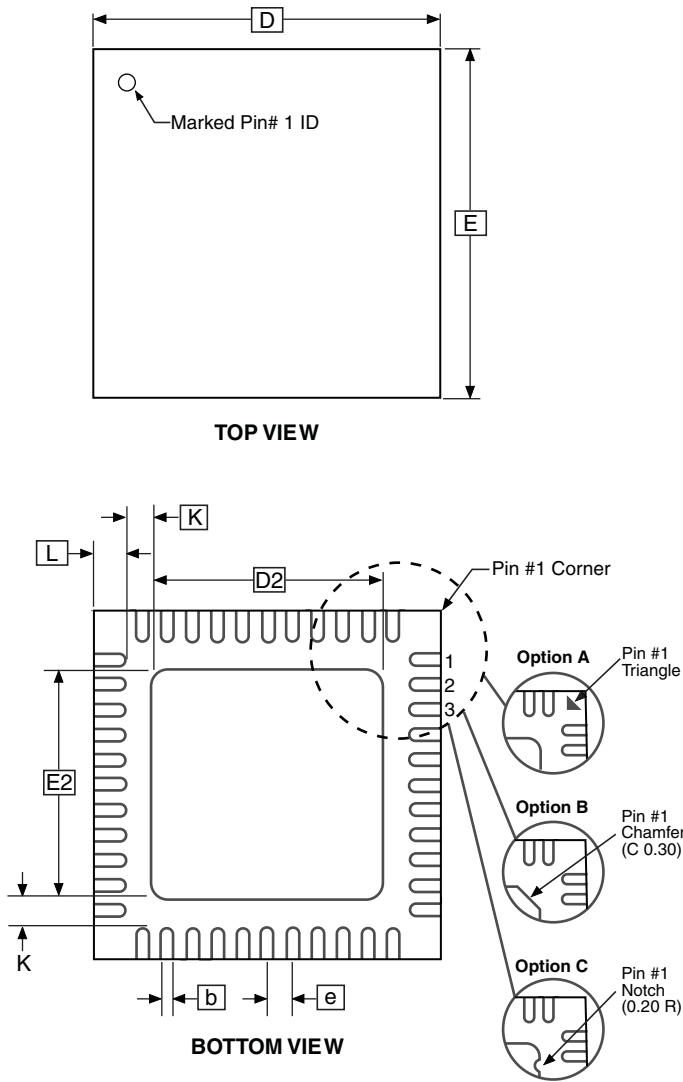
| SYMBOL | MIN      | NOM   | MAX   | NOTE   |
|--------|----------|-------|-------|--------|
| A      | -        | -     | 1.20  |        |
| A1     | 0.05     | -     | 0.15  |        |
| A2     | 0.95     | 1.00  | 1.05  |        |
| D      | 11.75    | 12.00 | 12.25 |        |
| D1     | 9.90     | 10.00 | 10.10 | Note 2 |
| E      | 11.75    | 12.00 | 12.25 |        |
| E1     | 9.90     | 10.00 | 10.10 | Note 2 |
| B      | 0.30     | -     | 0.45  |        |
| C      | 0.09     | -     | 0.20  |        |
| L      | 0.45     | -     | 0.75  |        |
| e      | 0.80 TYP |       |       |        |

- Notes:
1. This package conforms to JEDEC reference MS-026, Variation ACB.
  2. Dimensions D1 and E1 do not include mold protrusion. Allowable protrusion is 0.25 mm per side. Dimensions D1 and E1 are maximum plastic body size dimensions including mold mismatch.
  3. Lead coplanarity is 0.10 mm maximum.

10/5/2001

|  |  |                    |             |
|--|--|--------------------|-------------|
|  2325 Orchard Parkway<br>San Jose, CA 95131 | <b>TITLE</b><br>44A, 44-lead, 10 x 10 mm Body Size, 1.0 mm Body Thickness,<br>0.8 mm Lead Pitch, Thin Profile Plastic Quad Flat Package (TQFP) | <b>DRAWING NO.</b> | <b>REV.</b> |
|  |  | 44A                | B           |

30.2 44M1



**COMMON DIMENSIONS**  
(Unit of Measure = mm)

| SYMBOL | MIN      | NOM  | MAX  | NOTE |
|--------|----------|------|------|------|
| A      | 0.80     | 0.90 | 1.00 |      |
| A1     | -        | 0.02 | 0.05 |      |
| A3     | 0.20 REF |      |      |      |
| b      | 0.18     | 0.23 | 0.30 |      |
| D      | 6.90     | 7.00 | 7.10 |      |
| D2     | 5.00     | 5.20 | 5.40 |      |
| E      | 6.90     | 7.00 | 7.10 |      |
| E2     | 5.00     | 5.20 | 5.40 |      |
| e      | 0.50 BSC |      |      |      |
| L      | 0.59     | 0.64 | 0.69 |      |
| K      | 0.20     | 0.26 | 0.41 |      |

Note: JEDEC Standard MO-220, Fig. 1 (SAW Singulation) VKKD-3.

9/26/08



**Package Drawing Contact:**  
packagedrawings@atmel.com

**TITLE**  
44M1, 44-pad, 7 x 7 x 1.0 mm Body, Lead Pitch 0.50 mm, 5.20 mm Exposed Pad, Thermally Enhanced Plastic Very Thin Quad Flat No Lead Package (VQFN)

**GPC**  
ZWS

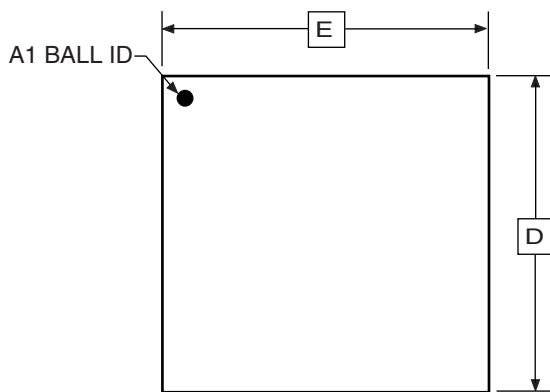
**DRAWING NO.**  
44M1

**REV.**  
H

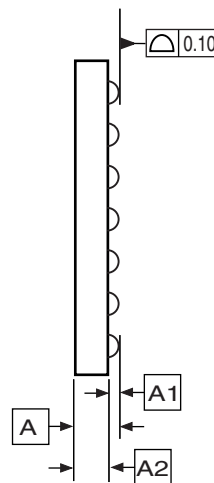




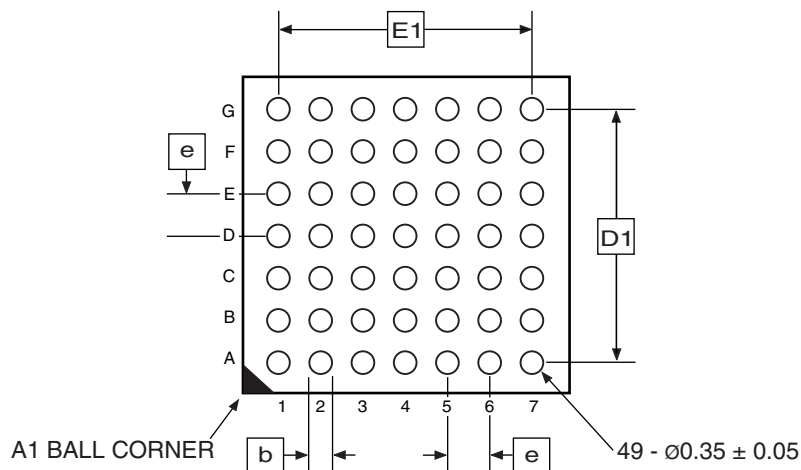
30.3 49C2



TOP VIEW



SIDE VIEW




BOTTOM VIEW

COMMON DIMENSIONS  
(Unit of Measure = mm)

| SYMBOL | MIN      | NOM  | MAX  | NOTE |
|--------|----------|------|------|------|
| A      | -        | -    | 1.00 |      |
| A1     | 0.20     | -    | -    |      |
| A2     | 0.65     | -    | -    |      |
| D      | 4.90     | 5.00 | 5.10 |      |
| D1     | 3.90 BSC |      |      |      |
| E      | 4.90     | 5.00 | 5.10 |      |
| E1     | 3.90 BSC |      |      |      |
| b      | 0.30     | 0.35 | 0.40 |      |
| e      | 0.65 BSC |      |      |      |

3/14/08

|  |   |            |                    |             |
|--|---|------------|--------------------|-------------|
|  <b>Package Drawing Contact:</b><br>packagedrawings@atmel.com | <b>TITLE</b><br>49C2, 49-ball (7 x 7 Array), 0.65 mm Pitch,<br>5.0 x 5.0 x 1.0 mm, Very Thin, Fine-Pitch<br>Ball Grid Array Package (VFBGA) | <b>GPC</b> | <b>DRAWING NO.</b> | <b>REV.</b> |
|  |   | CBD        | 49C2               | A           |

## 31. Electrical Characteristics

### 31.1 Absolute Maximum Ratings\*

|   |                        |
|---|------------------------|
| Operating Temperature.....                  | -55°C to +125°C        |
| Storage Temperature .....                   | -65°C to +150°C        |
| Voltage on any Pin with respect to Ground.. | -0.5V to $V_{CC}+0.5V$ |
| Maximum Operating Voltage .....             | 3.6V                   |
| DC Current per I/O Pin .....                | 20.0 mA                |
| DC Current $V_{CC}$ and GND Pins.....       | 200.0 mA               |

\*NOTICE: Stresses beyond those listed under “Absolute Maximum Ratings” may cause permanent damage to the device. This is a stress rating only and functional operation of the device at these or other conditions beyond those indicated in the operational sections of this specification is not implied. Exposure to absolute maximum rating conditions for extended periods may affect device reliability.

### 31.2 DC Characteristics

**Table 31-1.** Current Consumption

| Symbol                    | Parameter                              | Condition              | Min.             | Typ.            | Max.    | Units   |         |    |
|---------------------------|--|------------------------|------------------|-----------------|---------|---------|---------|----|
| $I_{CC}$                  | Power Supply Current <sup>(1)</sup>    | Active                 | 32 kHz, Ext. Clk | $V_{CC} = 1.8V$ | 30      |         | $\mu A$ |    |
|                           |  |                        |                  | $V_{CC} = 3.0V$ | 75      |         |         |    |
|                           |  | Active                 | 1 MHz, Ext. Clk  | $V_{CC} = 1.8V$ | 260     |         |         | mA |
|                           |  |                        |                  | $V_{CC} = 3.0V$ | 570     |         |         |    |
|                           |  | Active                 | 2 MHz, Ext. Clk  | $V_{CC} = 1.8V$ | 510     | 690     | mA      |    |
|                           |  |                        |                  | $V_{CC} = 3.0V$ | 1.1     | 1.49    |         |    |
|                           |  | Active                 | 32 MHz, Ext. Clk | $V_{CC} = 1.8V$ | 11.4    | 13      |         | mA |
|                           |  |                        |                  | $V_{CC} = 3.0V$ | 11.4    | 13      |         |    |
|                           |  | Idle                   | 32 kHz, Ext. Clk | $V_{CC} = 1.8V$ | 2.8     |         | $\mu A$ |    |
|                           |  |                        |                  | $V_{CC} = 3.0V$ | 4.8     |         |         |    |
|                           | 1 MHz, Ext. Clk                        |                        | $V_{CC} = 1.8V$  | 80              |         |         |         |    |
|                           |  |                        | $V_{CC} = 3.0V$  | 150             |         |         |         |    |
|                           | 2 MHz, Ext. Clk                        |                        | $V_{CC} = 1.8V$  | 160             | 225     |         |         |    |
|                           |  |                        | $V_{CC} = 3.0V$  | 295             | 390     |         |         |    |
|                           | 32 MHz, Ext. Clk                       | $V_{CC} = 1.8V$        | 4.8              | 6               | mA      |         |         |    |
|                           |  | $V_{CC} = 3.0V$        | 4.8              | 6               |         |         |         |    |
|                           | Power-down mode                        | All Functions Disabled | $V_{CC} = 3.0V$  | 0.1             |         | $\mu A$ |         |    |
|                           |  |                        | $V_{CC} = 3.0V$  | 1.5             | 5       |         |         |    |
|                           |  |                        | $V_{CC} = 1.8V$  | 1.1             |         |         |         |    |
|                           |  |                        | $V_{CC} = 3.0V$  | 1.1             |         |         |         |    |
| $V_{CC} = 3.0V$           |  |                        | 2.6              | 10              |         |         |         |    |
| Power-save mode           | RTC 1 kHz from Low Power 32 kHz TOSC   | $V_{CC} = 1.8V$        | 0.52             |                 | $\mu A$ |         |         |    |
|                           |  | $V_{CC} = 3.0V$        | 0.61             |                 |         |         |         |    |
|                           | RTC from Low Power 32 kHz TOSC         | $V_{CC} = 3.0V$        | 1.16             |                 |         |         |         |    |
| Reset Current Consumption | without Reset pull-up resistor current | $V_{CC} = 3.0V$        |                  | 505             |         | $\mu A$ |         |    |

**Table 31-1.** Current Consumption (Continued)

| Symbol  | Parameter                         | Condition                                     | Min. | Typ. | Max. | Units         |
|---|-----------------------------------|---|------|------|------|---------------|
| <b>Module current consumption<sup>(2)</sup></b> |                                   |   |      |      |      |               |
| $I_{CC}$  | RC32M                             |   |      | 470  |      | $\mu\text{A}$ |
|   | RC32M w/DFLL                      | Internal 32.768 kHz oscillator as DFLL source |      | 600  |      |               |
|   | RC2M                              |   |      | 112  |      |               |
|   | RC2M w/DFLL                       | Internal 32.768 kHz oscillator as DFLL source |      | 145  |      |               |
|   | RC32K                             |   |      | 30   |      |               |
|   | PLL                               | Multiplication factor = 10x                   |      | 225  |      |               |
|   | Watchdog normal mode              |   |      | 0.9  |      |               |
|   | BOD Continuous mode               |   |      | 120  |      |               |
|   | BOD Sampled mode                  |   |      | 1    |      |               |
|   | Internal 1.00 V ref               |   |      | 80   |      |               |
|   | Temperature reference             |   |      | 80   |      |               |
|   | RTC with int. 32 kHz RC as source | No prescaling                                 |      | 30   |      |               |
|   | RTC with ULP as source            | No prescaling                                 |      | 0.9  |      |               |
|   | AC                                |   |      | 110  |      |               |
|   | USART                             | Rx and Tx enabled, 9600 BAUD                  |      | 5.3  |      |               |
|   | Timer/Counter                     | Prescaler DIV1                                |      | 19   |      |               |

- Notes: 1. All Power Reduction Registers set. T = 25°C if not specified.  
 2. All parameters measured as the difference in current consumption between module enabled and disabled. All data at  $V_{CC} = 3.0\text{V}$ ,  $\text{Clk}_{\text{SYS}} = 1\text{ MHz}$  External clock with no prescaling, T = 25°C.

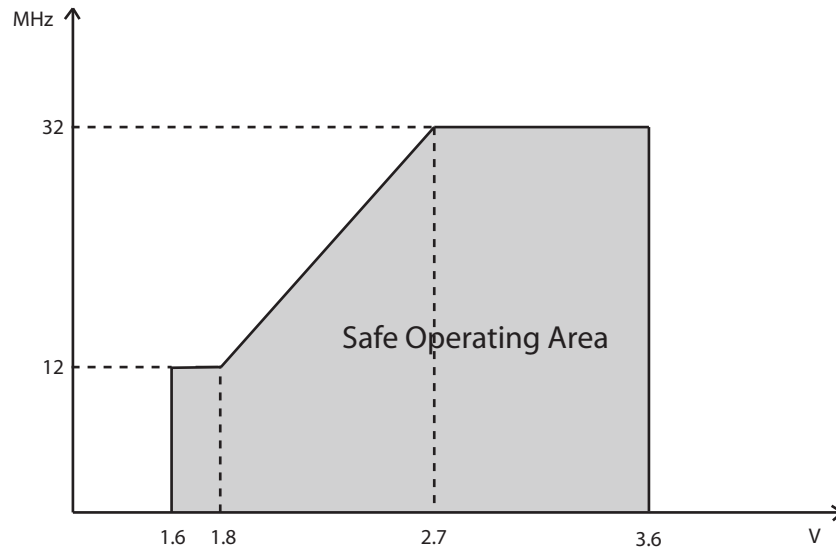
31.3 Speed

**Table 31-2.** Operating voltage and frequency

| Symbol             | Parameter           | Condition              | Min | Typ | Max | Units |
|--------------------|---------------------|------------------------|-----|-----|-----|-------|
| Clk <sub>CPU</sub> | CPU clock frequency | V <sub>CC</sub> = 1.6V | 0   |     | 12  | MHz   |
|                    |                     | V <sub>CC</sub> = 1.8V | 0   |     | 12  |       |
|                    |                     | V <sub>CC</sub> = 2.7V | 0   |     | 32  |       |
|                    |                     | V <sub>CC</sub> = 3.6V | 0   |     | 32  |       |

The maximum CPU clock frequency of the XMEGA D4 devices is depending on V<sub>CC</sub>. As shown in [Figure 31-1 on page 60](#) the Frequency vs. V<sub>CC</sub> curve is linear between 1.8V < V<sub>CC</sub> < 2.7V.

**Figure 31-1.** Operating Frequency vs.Vcc



## 31.4 Flash and EEPROM Memory Characteristics

**Table 31-3.** Endurance and Data Retention

| Symbol | Parameter | Condition          | Min  | Typ | Max | Units |
|--------|-----------|--------------------|------|-----|-----|-------|
|        | Flash     | Write/Erase cycles | 25°C | 10K |     | Cycle |
|        |           |                    | 85°C | 10K |     |       |
|        |           | Data retention     | 25°C | 100 |     | Year  |
|        |           |                    | 55°C | 25  |     |       |
|        | EEPROM    | Write/Erase cycles | 25°C | 80K |     | Cycle |
|        |           |                    | 85°C | 30K |     |       |
|        |           | Data retention     | 25°C | 100 |     | Year  |
|        |           |                    | 55°C | 25  |     |       |

**Table 31-4.** Programming time

| Symbol | Parameter  | Condition                                   | Min | Typ <sup>(1)</sup> | Max | Units |
|--------|------------|---|-----|--------------------|-----|-------|
|        | Chip Erase | Flash, EEPROM <sup>(2)</sup> and SRAM Erase |     | 40                 |     | ms    |
|        | Flash      | Page Erase                                  |     | 6                  |     |       |
|        |            | Page Write                                  |     | 6                  |     |       |
|        |            | Page WriteAutomatic Page Erase and Write    |     | 12                 |     |       |
|        | EEPROM     | Page Erase                                  |     | 6                  |     |       |
|        |            | Page Write                                  |     | 6                  |     |       |
|        |            | Page WriteAutomatic Page Erase and Write    |     | 12                 |     |       |

- Notes: 1. Programming is timed from the internal 2 MHz oscillator.  
 2. EEPROM is not erased if the EESAVE fuse is programmed.

## 31.5 ADC Characteristics

**Table 31-5.** ADC Characteristics

| Symbol             | Parameter                                 | Condition  | Min  | Typ                  | Max                   | Units                     |
|--------------------|---|--|------|----------------------|-----------------------|---------------------------|
| RES                | Resolution                                | Programmable: 8/12                                   | 8    | 12                   | 12                    | Bits                      |
| INL                | Integral Non-Linearity                    | 100 ksps   |      | ±2                   |                       | LSB                       |
| DNL                | Differential Non-Linearity                | 100 ksps   |      | < ±1                 |                       | LSB                       |
|                    | Gain Error                                |  |      | < ±10                |                       | mV                        |
|                    | Offset Error                              |  |      | < ±2                 |                       | mV                        |
| ADC <sub>clk</sub> | ADC Clock frequency                       | Max is 1/4 of Peripheral Clock                       |      |                      | 1400                  | kHz                       |
|                    | Conversion rate                           |  |      |                      | 200                   | ksps                      |
|                    | Conversion time (propagation delay)       | (RES+2)/2+GAIN<br>RES = 8 or 12, GAIN = 0, 1, 2 or 3 | 5    | 7                    | 10                    | ADC <sub>clk</sub> cycles |
|                    | Sampling Time                             | 1/2 ADC <sub>clk</sub> cycle                         | 0.36 |                      |                       | µs                        |
|                    | Conversion range                          |  | 0    |                      | VREF                  | V                         |
| VREF               | Reference voltage                         |  | 1.0  |                      | V <sub>cc</sub> -0.6V | V                         |
|                    | Input bandwidth                           |  |      |                      |                       | kHz                       |
| INT1V              | Internal 1.00V reference                  |  |      | 1.00                 |                       | V                         |
| INTVCC             | Internal V <sub>CC</sub> /1.6             |  |      | V <sub>CC</sub> /1.6 |                       | V                         |
| SCALEDVCC          | Scaled internal V <sub>CC</sub> /10 input |  |      | V <sub>CC</sub> /10  |                       | V                         |
| R <sub>AREF</sub>  | Reference input resistance                |  |      | > 10                 |                       | MΩ                        |
|                    | Start-up time                             |  |      |                      |                       | µs                        |
|                    | Internal input sampling speed             | Temp. sensor, V <sub>CC</sub> /10, Bandgap           |      |                      | 100                   | ksps                      |

**Table 31-6.** ADC Gain Stage Characteristics

| Symbol | Parameter            | Condition    | Min            | Typ  | Max | Units |
|--------|----------------------|--------------|----------------|------|-----|-------|
|        | Gain error           | 1 to 64 gain |                | < ±1 |     | %     |
|        | Offset error         |              |                | < ±1 |     | mV    |
| Vrms   | Noise level at input | 64x gain     | VREF = Int. 1V | 0.12 |     |       |
|        |                      |              | VREF = Ext. 2V | 0.06 |     |       |
|        | Clock rate           | Same as ADC  |                |      | 200 | kHz   |

### 31.6 Analog Comparator Characteristics

Table 31-7. Analog Comparator Characteristics

| Symbol      | Parameter             | Condition             | Min | Typ        | Max | Units |
|-------------|-----------------------|-----------------------|-----|------------|-----|-------|
| $V_{off}$   | Input Offset Voltage  | $V_{CC} = 1.6 - 3.6V$ |     | $< \pm 10$ |     | mV    |
| $I_{lk}$    | Input Leakage Current | $V_{CC} = 1.6 - 3.6V$ |     | $< 1000$   |     | pA    |
| $V_{hys1}$  | Hysteresis, No        | $V_{CC} = 1.6 - 3.6V$ |     | 0          |     | mV    |
| $V_{hys2}$  | Hysteresis, Small     | $V_{CC} = 1.6 - 3.6V$ |     | 20         |     | mV    |
| $V_{hys3}$  | Hysteresis, Large     | $V_{CC} = 1.6 - 3.6V$ |     | 40         |     |       |
| $t_{delay}$ | Propagation delay     | $V_{CC} = 1.6 - 3.6V$ |     | 175        |     | ns    |

### 31.7 Bandgap Characteristics

Table 31-8. Bandgap Voltage Characteristics

| Symbol  | Parameter                              | Condition  | Min                     | Typ     | Max  | Units   |
|---------|--|--|-------------------------|---------|------|---------|
|         | Bandgap Startup Time                   | As reference for ADC                             | 1 Clk_PER + 2.5 $\mu$ s |         |      | $\mu$ s |
|         |  | As input to AC or ADC                            |                         | 1.5     |      |         |
|         | Bandgap voltage                        |  |                         | 1.1     |      | V       |
| ADC ref |  | T= 85°C, After calibration                       | 0.99                    | 1       | 1.01 |         |
|         |  |  |                         | 1       |      |         |
|         | Variation over voltage and temperature | $V_{CC} = 1.6 - 3.6V, T_A = -40^\circ C$ to 85°C |                         | $\pm 5$ |      | %       |

### 31.8 Brownout Detection Characteristics

Table 31-9. Brownout Detection Characteristics<sup>(1)</sup>

| Symbol | Parameter               | Condition     | Min | Typ  | Max | Units |
|--------|-------------------------|---------------|-----|------|-----|-------|
|        | BOD level 0 falling Vcc |               |     | 1.62 |     | V     |
|        | BOD level 1 falling Vcc |               |     | 1.9  |     |       |
|        | BOD level 2 falling Vcc |               |     | 2.17 |     |       |
|        | BOD level 3 falling Vcc |               |     | 2.43 |     |       |
|        | BOD level 4 falling Vcc |               |     | 2.68 |     |       |
|        | BOD level 5 falling Vcc |               |     | 2.96 |     |       |
|        | BOD level 6 falling Vcc |               |     | 3.22 |     |       |
|        | BOD level 7 falling Vcc |               |     | 3.49 |     |       |
|        | Hysteresis              | BOD level 0-5 |     | 1    |     | %     |

Note: 1. BOD is calibrated to BOD level 0 at 85°C, and BOD level 0 is the default level.

## 31.9 PAD Characteristics

**Table 31-10.** PAD Characteristics

| Symbol           | Parameter                         | Condition   | Min                 | Typ    | Max                  | Units |
|------------------|-----------------------------------|---|---------------------|--------|----------------------|-------|
| V <sub>IH</sub>  | Input High Voltage                | V <sub>CC</sub> = 2.4 - 3.6V                      | 0.7*V <sub>CC</sub> |        | V <sub>CC</sub> +0.5 | V     |
|                  |                                   | V <sub>CC</sub> = 1.6 - 2.4V                      | 0.8*V <sub>CC</sub> |        | V <sub>CC</sub> +0.5 |       |
| V <sub>IL</sub>  | Input Low Voltage                 | V <sub>CC</sub> = 2.4 - 3.6V                      | -0.5                |        | 0.3*V <sub>CC</sub>  |       |
|                  |                                   | V <sub>CC</sub> = 1.6 - 2.4V                      | -0.5                |        | 0.2*V <sub>CC</sub>  |       |
| V <sub>OL</sub>  | Output Low Voltage GPIO           | I <sub>OH</sub> = 8 mA, V <sub>CC</sub> = 3.3V    |                     | 0.4    | 0.76                 |       |
|                  |                                   | I <sub>OH</sub> = 5 mA, V <sub>CC</sub> = 3.0V    |                     | 0.3    | 0.64                 |       |
|                  |                                   | I <sub>OH</sub> = 3 mA, V <sub>CC</sub> = 1.8V    |                     | 0.2    | 0.46                 |       |
| V <sub>OH</sub>  | Output High Voltage GPIO          | I <sub>OH</sub> = -4 mA, V <sub>CC</sub> = 3.3V   | 2.6                 | 3.0    |                      |       |
|                  |                                   | I <sub>OH</sub> = -3 mA, V <sub>CC</sub> = 3.0V   | 2.1                 | 2.7    |                      |       |
|                  |                                   | I <sub>OH</sub> = -1 mA, V <sub>CC</sub> = 1.8V   | 1.4                 | 1.6    |                      |       |
| I <sub>IL</sub>  | Input Leakage Current I/O pin     |   |                     | <0.001 | 1                    | μA    |
| I <sub>IH</sub>  | Input Leakage Current I/O pin     |   |                     | <0.001 | 1                    |       |
| R <sub>P</sub>   | I/O pin Pull/Buss keeper Resistor | T= -40°C to 85°C                                  |                     | 20     |                      | kΩ    |
| R <sub>RST</sub> | Reset pin Pull-up Resistor        | T= -40°C to 85°C                                  |                     | 20     |                      |       |
|                  | Input hysteresis                  | V <sub>CC</sub> = 1.6 V - 3.6 V, T= -40°C to 85°C |                     | 0.5    |                      | V     |

## 31.10 POR Characteristics

**Table 31-11.** Power-on Reset Characteristics

| Symbol            | Parameter                         | Condition | Min | Typ | Max | Units |
|-------------------|-----------------------------------|-----------|-----|-----|-----|-------|
| V <sub>POT-</sub> | POR threshold voltage falling Vcc |           |     | 1   |     | V     |
| V <sub>POT+</sub> | POR threshold voltage rising Vcc  |           |     | 1.3 |     |       |

## 31.11 Reset Characteristics

**Table 31-12.** Reset Characteristics

| Symbol | Parameter                 | Condition                    | Min | Typ                  | Max | Units |
|--------|---------------------------|------------------------------|-----|----------------------|-----|-------|
|        | Minimum reset pulse width |                              |     | 90                   |     | ns    |
|        | Reset threshold voltage   | V <sub>CC</sub> = 2.7 - 3.6V |     | 0.45*V <sub>CC</sub> |     | V     |
|        |                           | V <sub>CC</sub> = 1.6 - 2.7V |     | 0.42*V <sub>CC</sub> |     |       |



## 31.12 Oscillator Characteristics

**Table 31-13.** Internal 32.768 kHz Oscillator Characteristics

| Symbol | Parameter | Condition   | Min  | Typ | Max | Units |
|--------|-----------|---|------|-----|-----|-------|
|        | Accuracy  | T = 85°C, V <sub>CC</sub> = 3V,<br>After production calibration | -0.5 |     | 0.5 | %     |

**Table 31-14.** Internal 2 MHz Oscillator Characteristics

| Symbol | Parameter                  | Condition   | Min  | Typ  | Max | Units |
|--------|----------------------------|---|------|------|-----|-------|
|        | Accuracy                   | T = 85°C, V <sub>CC</sub> = 3V,<br>After production calibration | -1.5 |      | 1.5 | %     |
|        | DFLL Calibration step size | T = 25°C, V <sub>CC</sub> = 3V                                  |      | 0.15 |     |       |

**Table 31-15.** Internal 32 MHz Oscillator Characteristics

| Symbol | Parameter                 | Condition   | Min  | Typ | Max | Units |
|--------|---------------------------|---|------|-----|-----|-------|
|        | Accuracy                  | T = 85°C, V <sub>CC</sub> = 3V,<br>After production calibration | -1.5 |     | 1.5 | %     |
|        | DFLL Calibration stepsize | T = 25°C, V <sub>CC</sub> = 3V                                  |      | 0.2 |     |       |

**Table 31-16.** Internal 32 kHz, ULP Oscillator Characteristics

| Symbol | Parameter                       | Condition                        | Min | Typ | Max | Units |
|--------|---------------------------------|----------------------------------|-----|-----|-----|-------|
|        | Output frequency 32 kHz ULP OSC | T = 85°C, V <sub>CC</sub> = 3.0V |     | 26  |     | kHz   |

**Table 31-17.** Maximum load capacitance (CL) and ESR recommendation for 32.768 kHz Crystal

| Crystal CL [pF] | Max ESR [kΩ] |
|-----------------|--------------|
| 6.5             | 60           |
| 9               | 35           |

**Table 31-18.** Device wake-up time from sleep

| Symbol | Parameter   | Condition <sup>(1)</sup> | Min | Typ <sup>0</sup> | Max | Units |
|--------|---|--------------------------|-----|------------------|-----|-------|
|        | Idle Sleep, Standby and Extended Standby sleep mode | Int. 32.768 kHz RC       |     | 130              |     | μS    |
|        |   | Int. 2 MHz RC            |     | 2                |     |       |
|        |   | Ext. 2 MHz Clock         |     | 2                |     |       |
|        |   | Int. 32 MHz RC           |     | 0.17             |     |       |
|        | Power-save and Power-down Sleep mode                | Int. 32.768 kHz RC       |     | 320              |     |       |
|        |   | Int. 2 MHz RC            |     | 10.3             |     |       |
|        |   | Ext. 2 MHz Clock         |     | 4.5              |     |       |
|        |   | Int. 32 MHz RC           |     | 5.8              |     |       |

Notes: 1. Non-prescaled System Clock source.

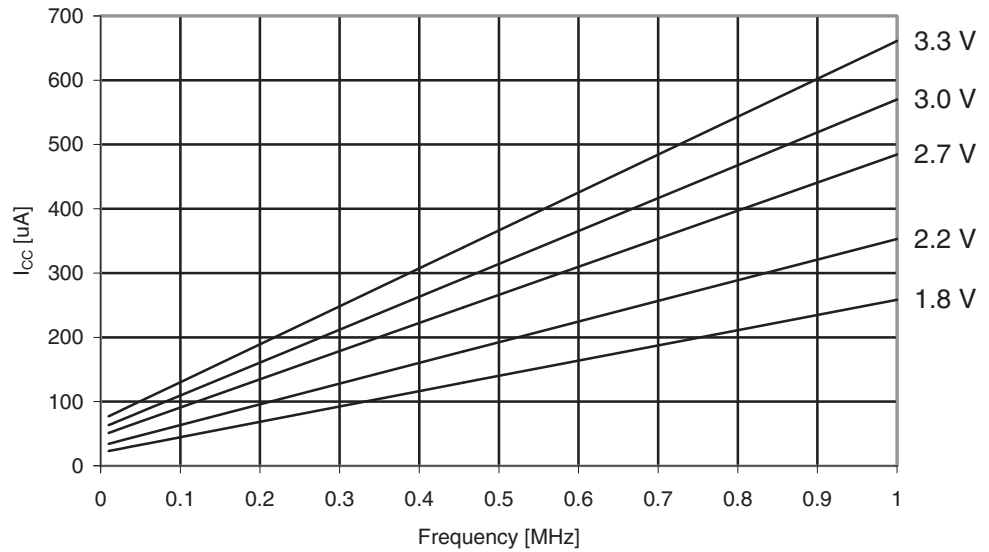
Time from pin change on external interrupt pin to first available clock cycle. Additional interrupt response time is minimum 5 system clock source cycles.

## 32. Typical Characteristics

### 32.1 Active Supply Current

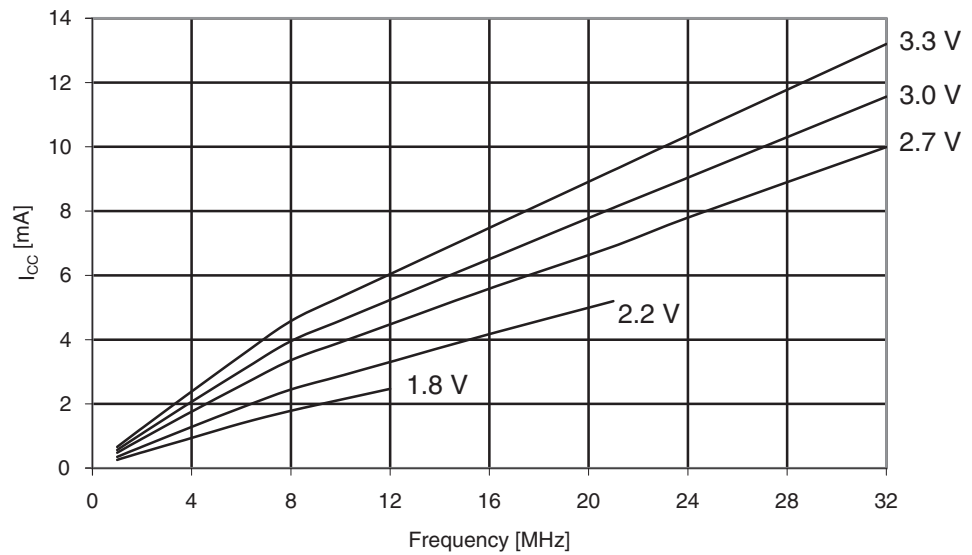
**Figure 32-1.** Active Supply Current vs. Frequency

$f_{SYS} = 0 - 1.0$  MHz External clock,  $T = 25^{\circ}C$ .



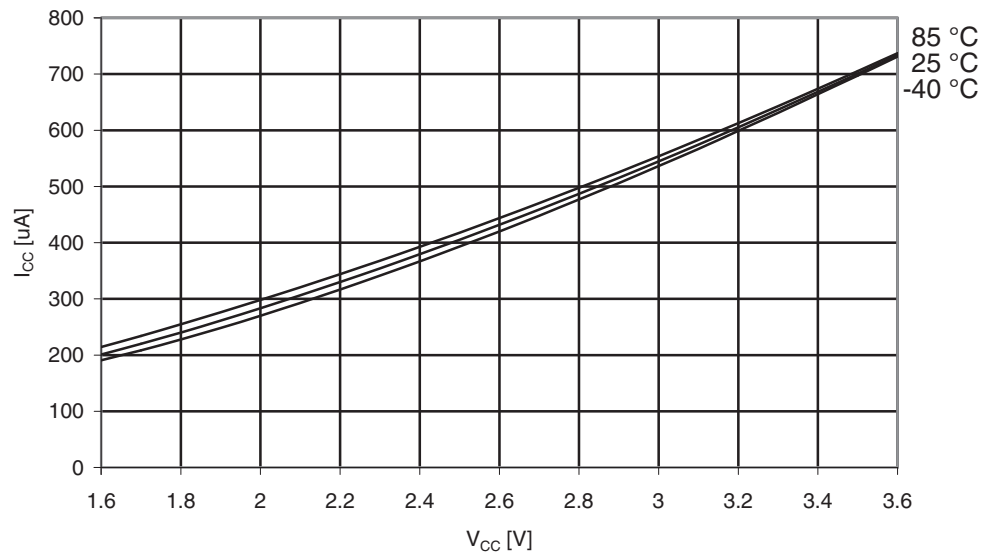
**Figure 32-2.** Active Supply Current vs. Frequency

$f_{SYS} = 1 - 32$  MHz External clock,  $T = 25^{\circ}C$ .



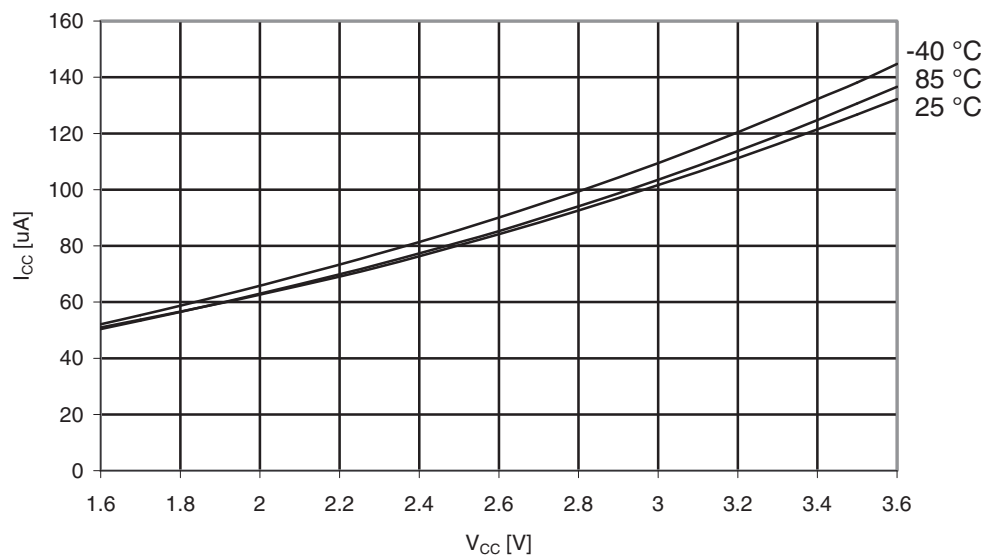
**Figure 32-3.** Active Supply Current vs. Vcc

$f_{SYS} = 1.0 \text{ MHz External Clock.}$



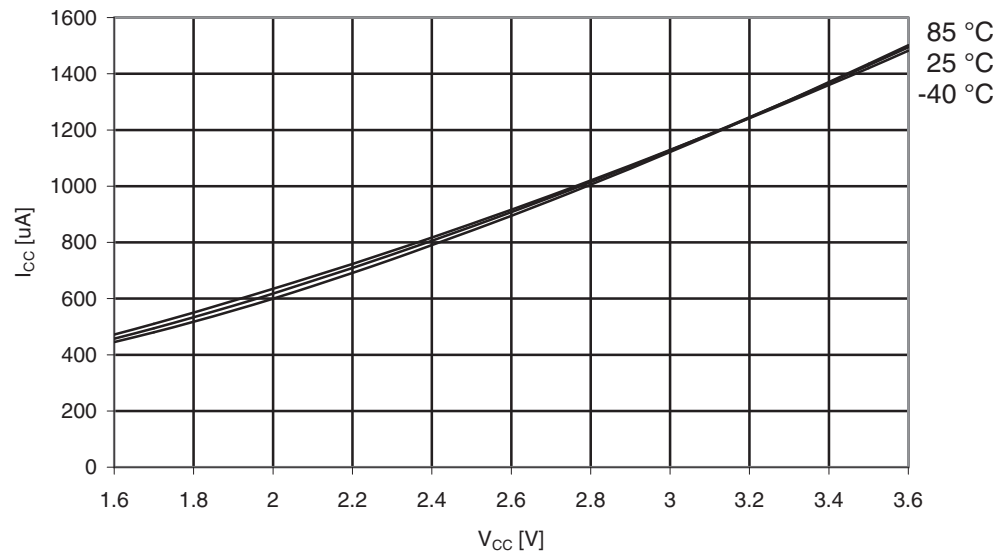
**Figure 32-4.** Active Supply Current vs. VCC

$f_{SYS} = 32.768 \text{ kHz internal RC.}$



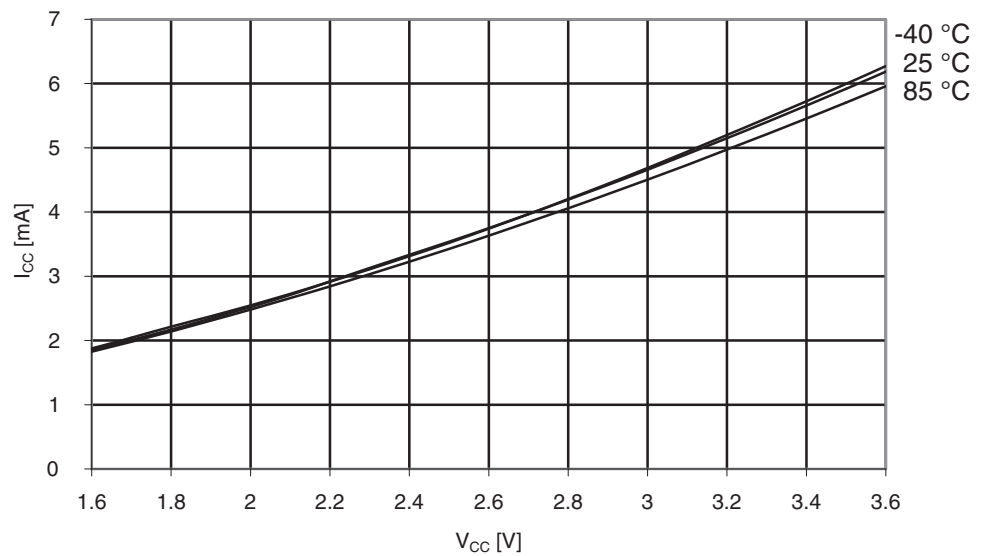
**Figure 32-5.** Active Supply Current vs. V<sub>CC</sub>

*f<sub>SYS</sub> = 2.0 MHz internal RC.*



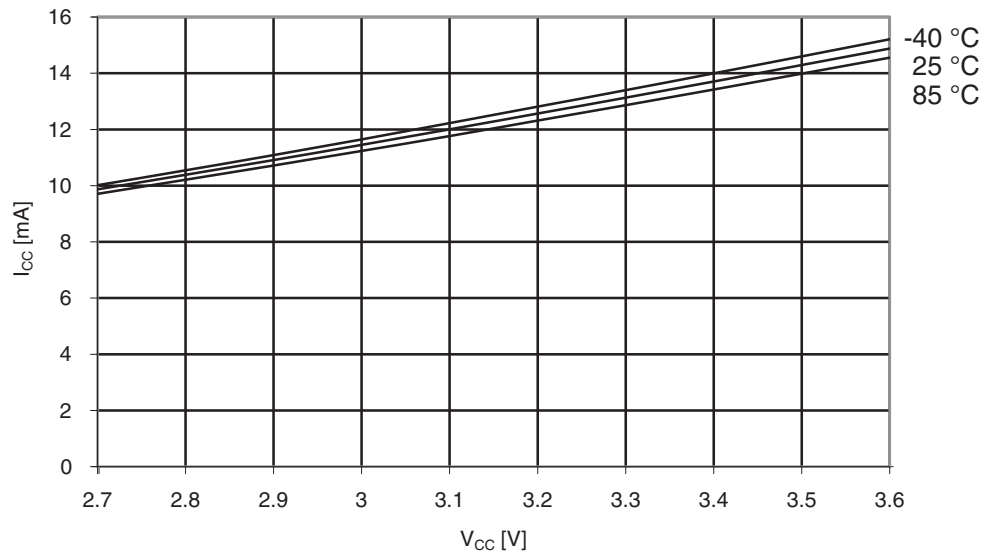
**Figure 32-6.** Active Supply Current vs. V<sub>CC</sub>

*f<sub>SYS</sub> = 32 MHz internal RC prescaled to 8 MHz.*



**Figure 32-7.** Active Supply Current vs. V<sub>CC</sub>

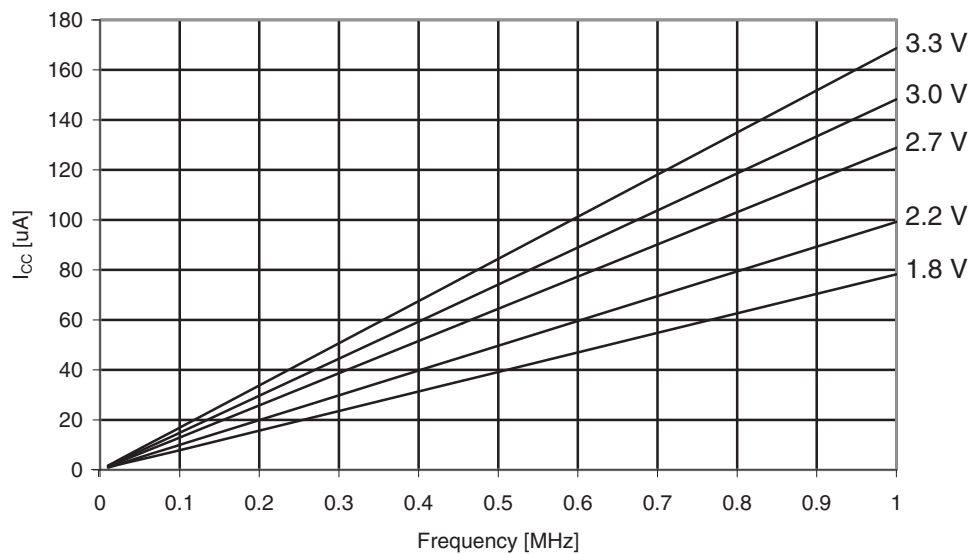
*f<sub>SYS</sub> = 32 MHz internal RC.*



### 32.2 Idle Supply Current

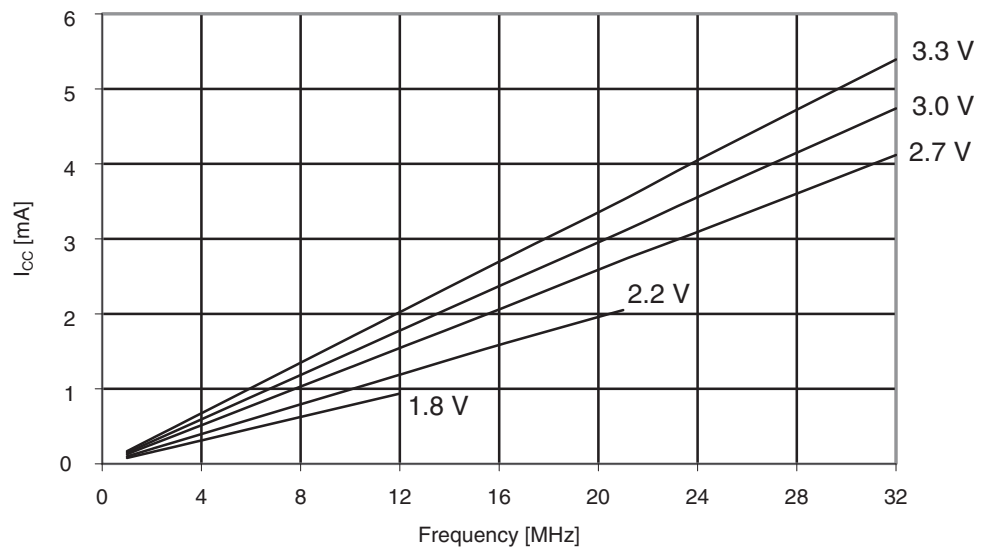
**Figure 32-8.** Idle Supply Current vs. Frequency

*f<sub>SYS</sub> = 0 - 1.0 MHz, T = 25°C.*



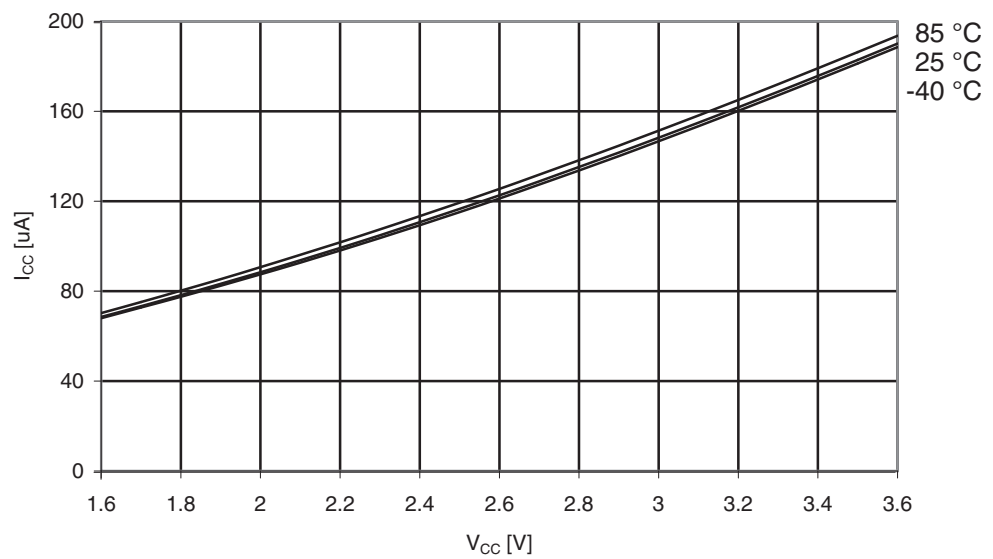
**Figure 32-9.** Idle Supply Current vs. Frequency

$f_{SYS} = 1 - 32 \text{ MHz}$ ,  $T = 25^\circ\text{C}$ .



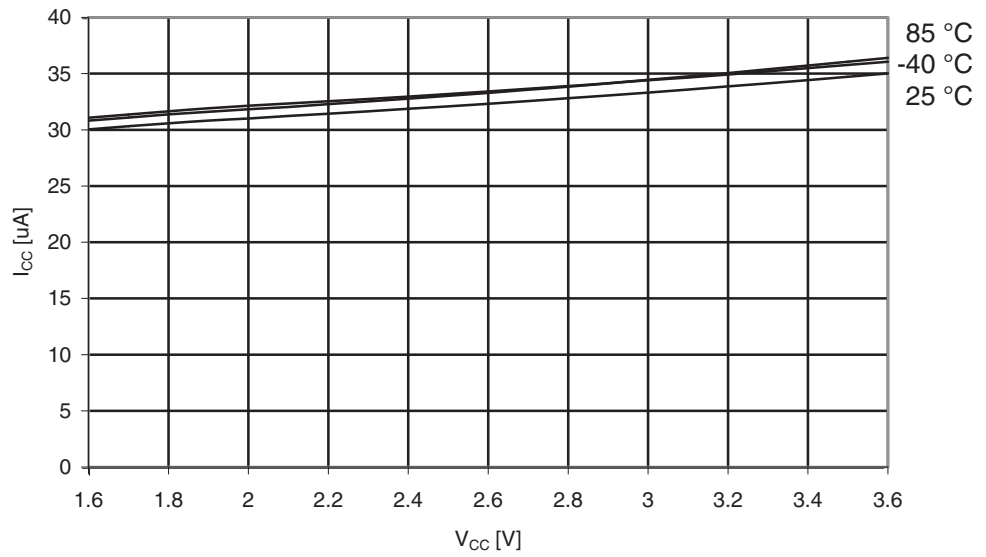
**Figure 32-10.** Idle Supply Current vs. Vcc

$f_{SYS} = 1.0 \text{ MHz External Clock}$ .



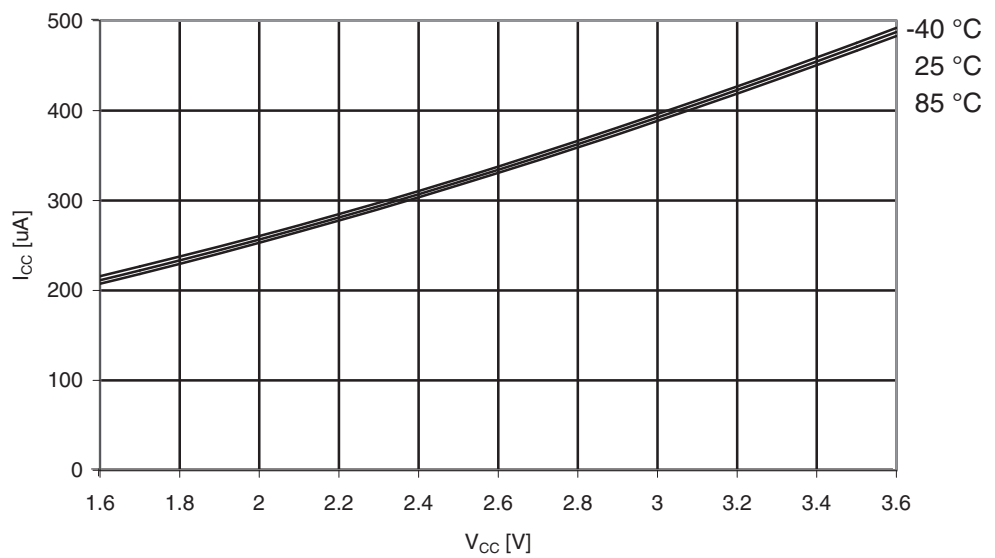
**Figure 32-11.** Idle Supply Current vs. V<sub>CC</sub>

*f<sub>SYS</sub> = 32.768 kHz internal RC.*



**Figure 32-12.** Idle Supply Current vs. V<sub>CC</sub>

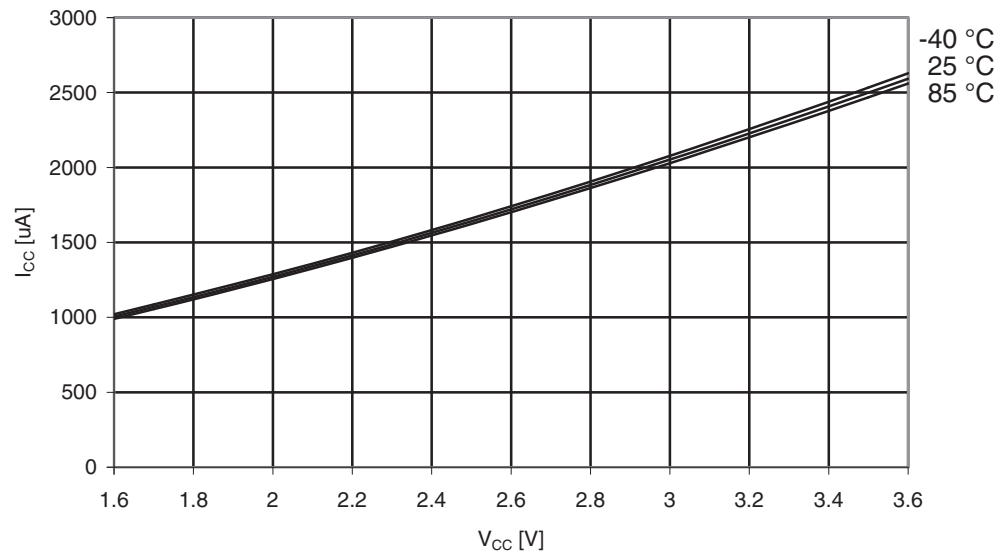
*f<sub>SYS</sub> = 2.0 MHz internal RC.*





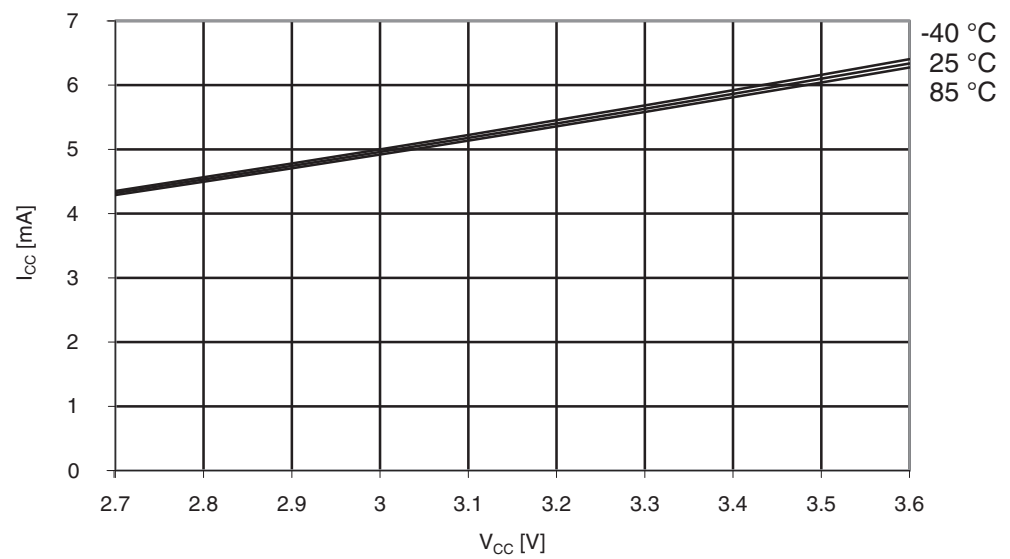
**Figure 32-13.** Idle Supply Current vs. V<sub>CC</sub>

*f<sub>SYS</sub> = 32 MHz internal RC prescaled to 8 MHz.*



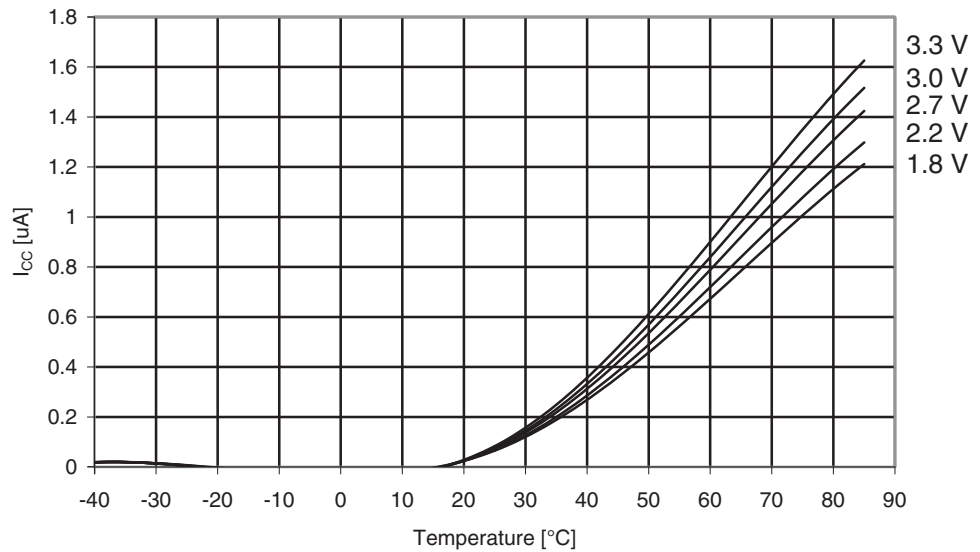
**Figure 32-14.** Idle Supply Current vs. V<sub>CC</sub>

*f<sub>SYS</sub> = 32 MHz internal RC.*



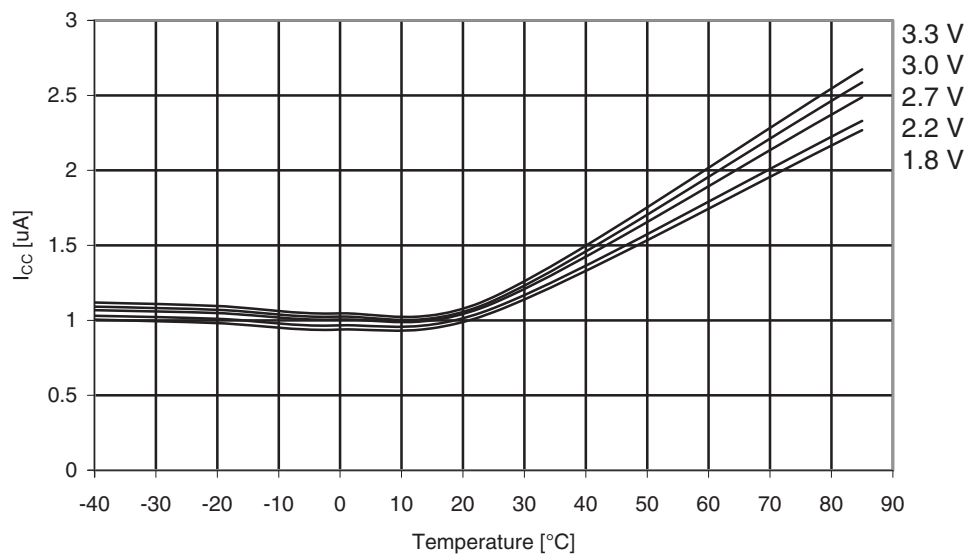
### 32.3 Power-down Supply Current

**Figure 32-15.** Power-down Supply Current vs. Temperature



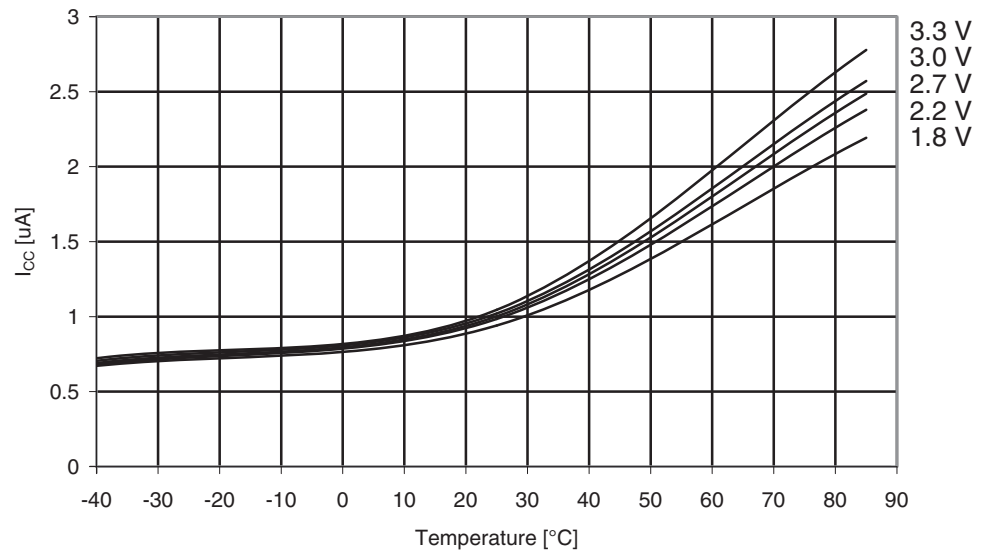
**Figure 32-16.** Power-down Supply Current vs. Temperature

*With WDT and sampled BOD enabled.*



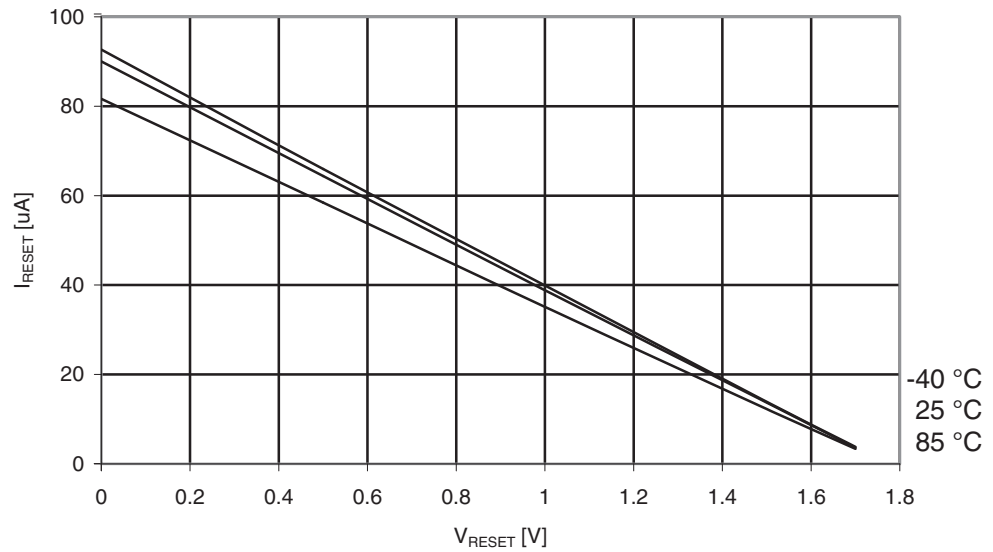
### 32.4 Power-save Supply Current

**Figure 32-17.** Power-save Supply Current vs. Temperature  
 With WDT, sampled BOD and RTC from ULP enabled.



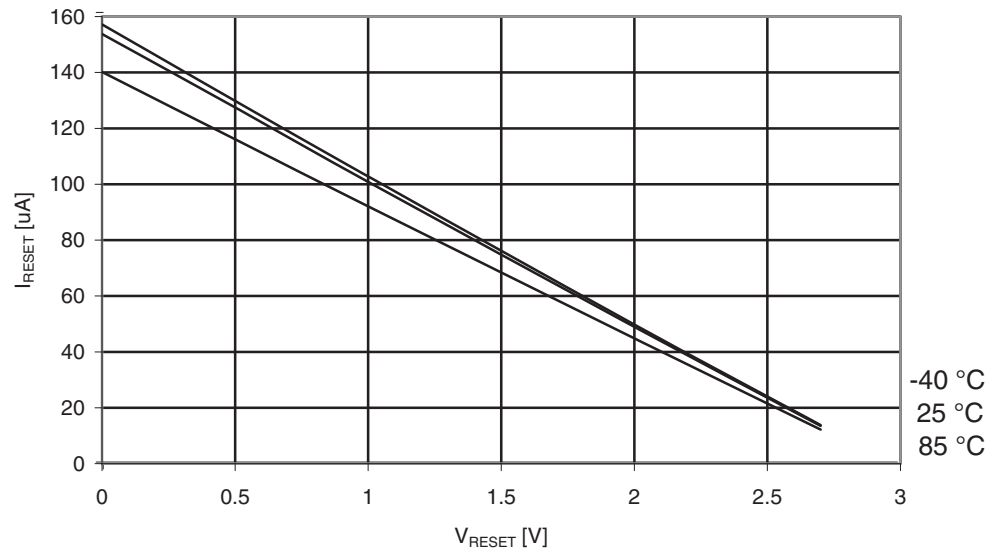
### 32.5 Pin Pull-up

**Figure 32-18.** Reset Pull-up Resistor Current vs. Reset Pin Voltage  
 $V_{CC} = 1.8V$ .



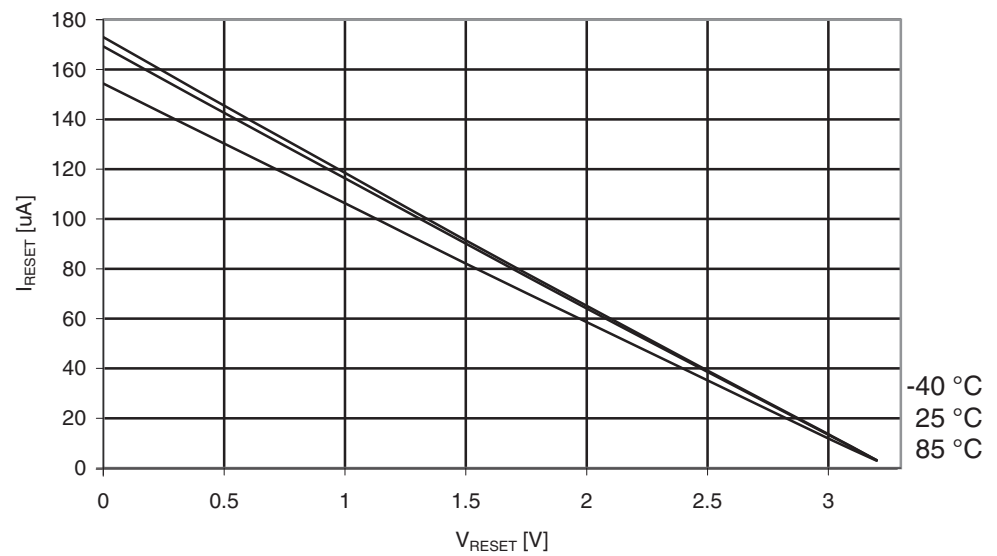
**Figure 32-19.** Reset Pull-up Resistor Current vs. Reset Pin Voltage

$V_{CC} = 3.0V.$



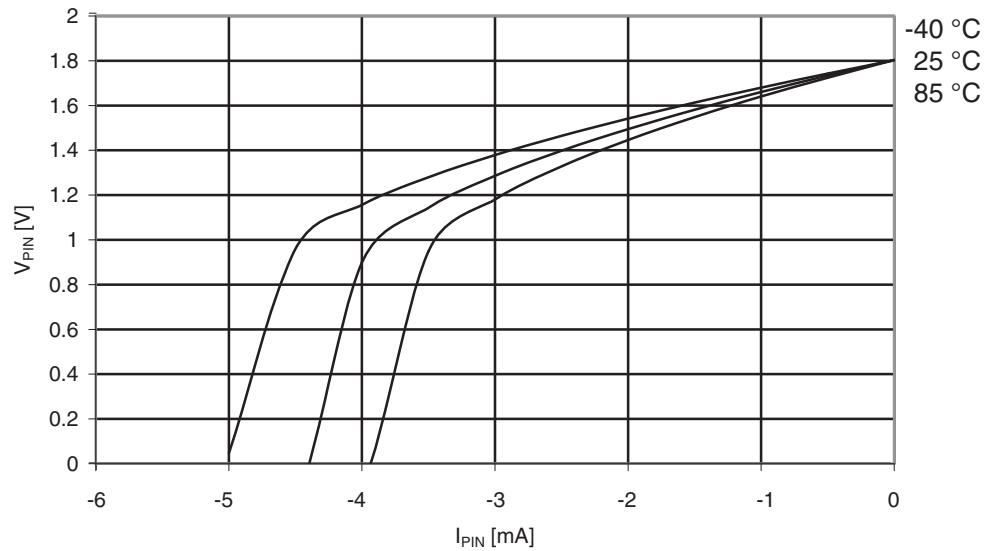
**Figure 32-20.** Reset Pull-up Resistor Current vs. Reset Pin Voltage

$V_{CC} = 3.3V.$

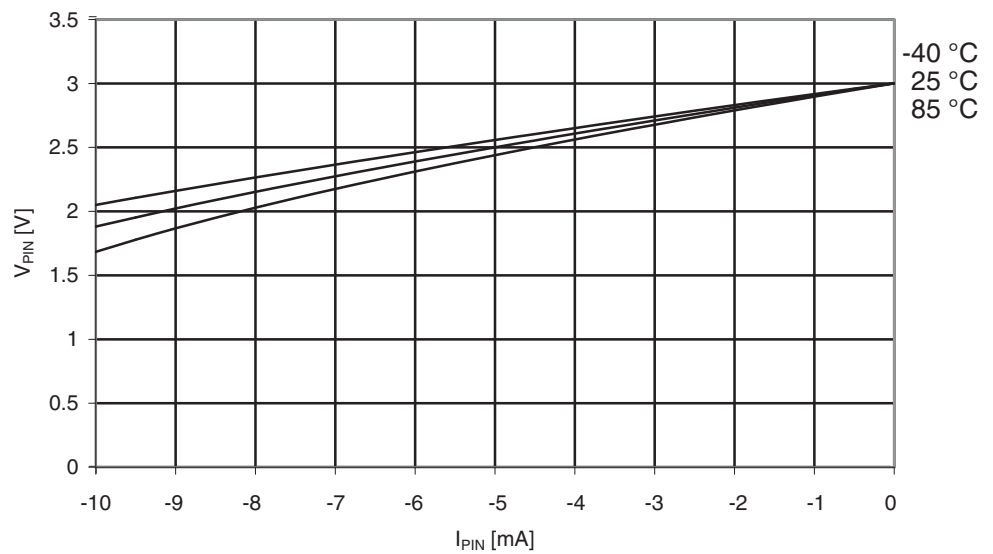


### 32.6 Pin Output Voltage vs. Sink/Source Current

**Figure 32-21.** I/O Pin Output Voltage vs. Source Current  
 $V_{CC} = 1.8V$ .

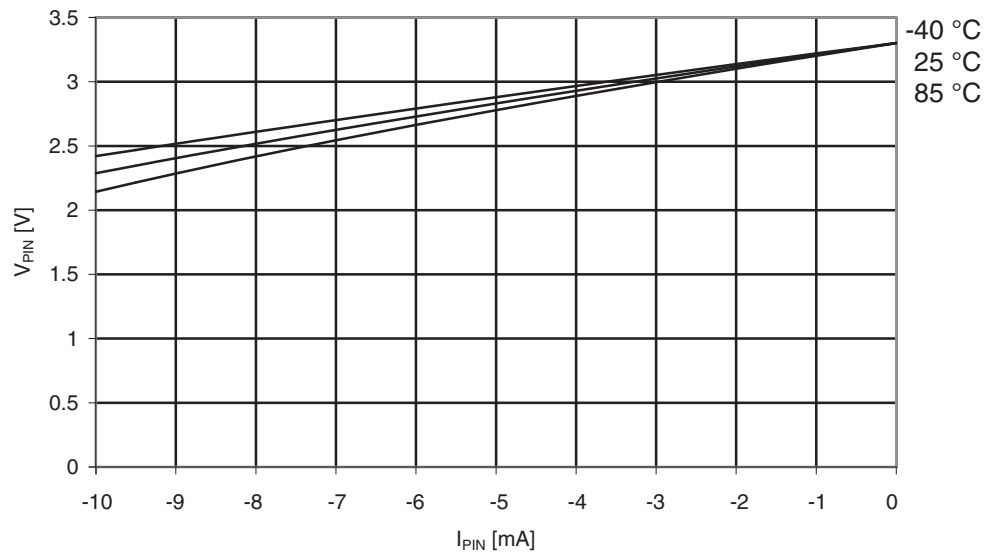


**Figure 32-22.** I/O Pin Output Voltage vs. Source Current  
 $V_{CC} = 3.0V$ .



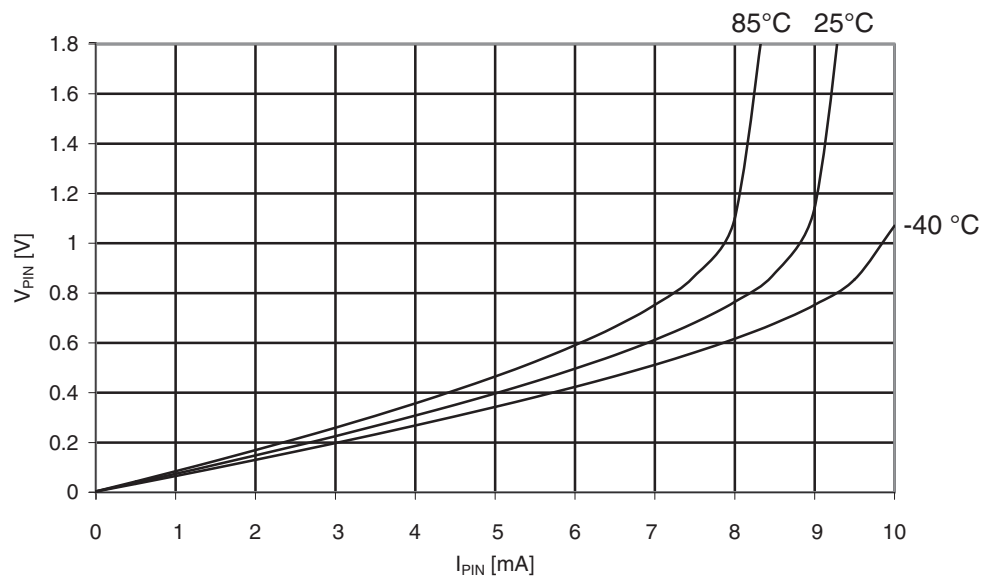
**Figure 32-23.** I/O Pin Output Voltage vs. Source Current

$V_{CC} = 3.3V$ .



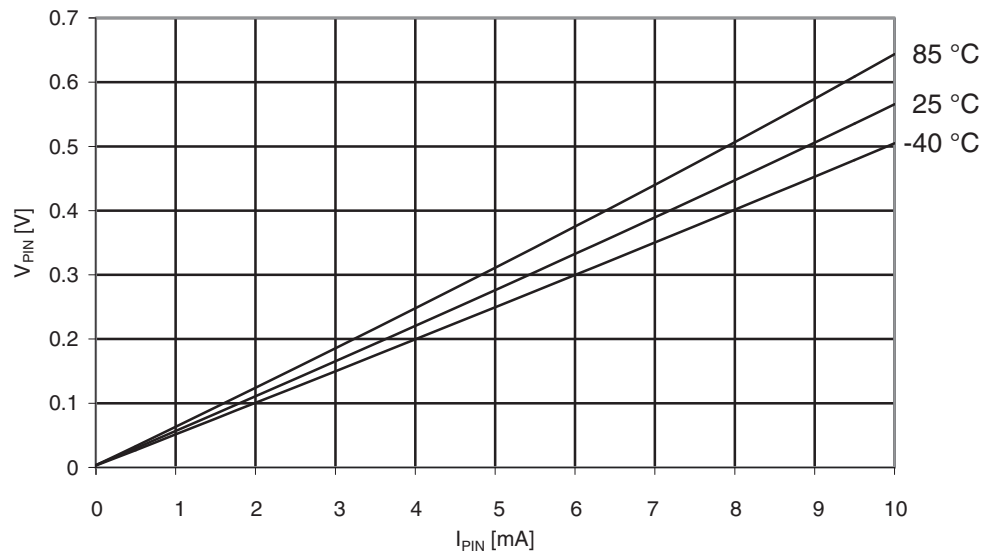
**Figure 32-24.** I/O Pin Output Voltage vs. Sink Current

$V_{CC} = 1.8V$ .



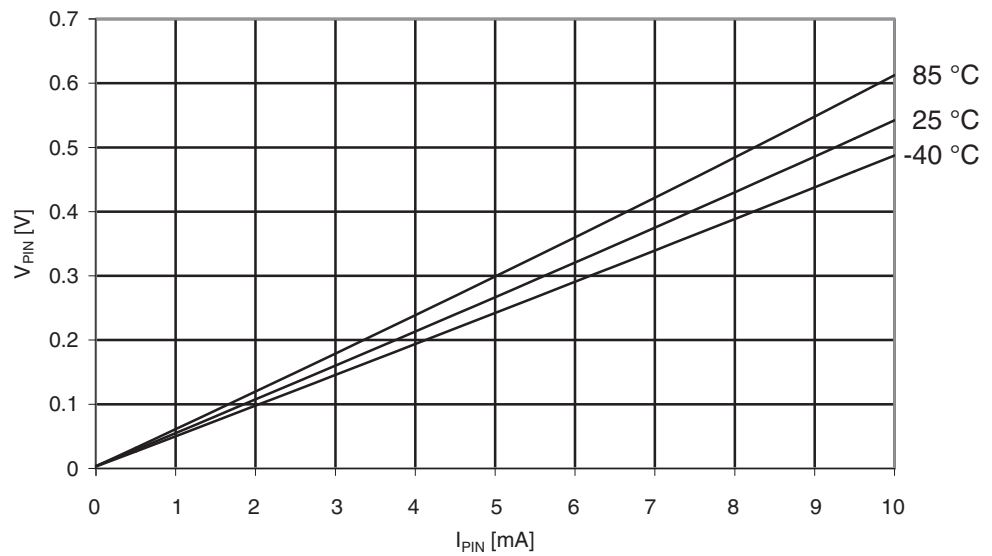
**Figure 32-25.** I/O Pin Output Voltage vs. Sink Current

$V_{CC} = 3.0V$ .



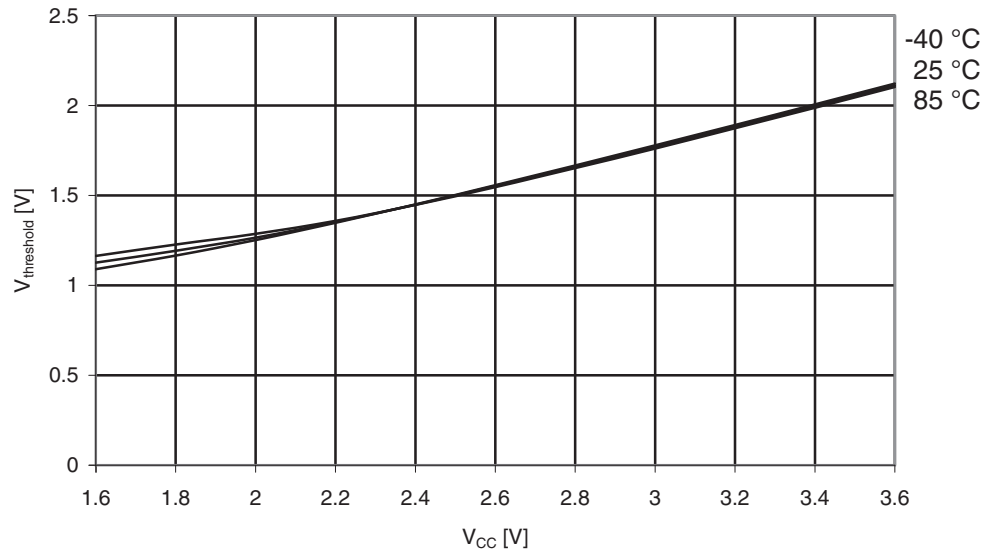
**Figure 32-26.** I/O Pin Output Voltage vs. Sink Current

$V_{CC} = 3.3V$ .

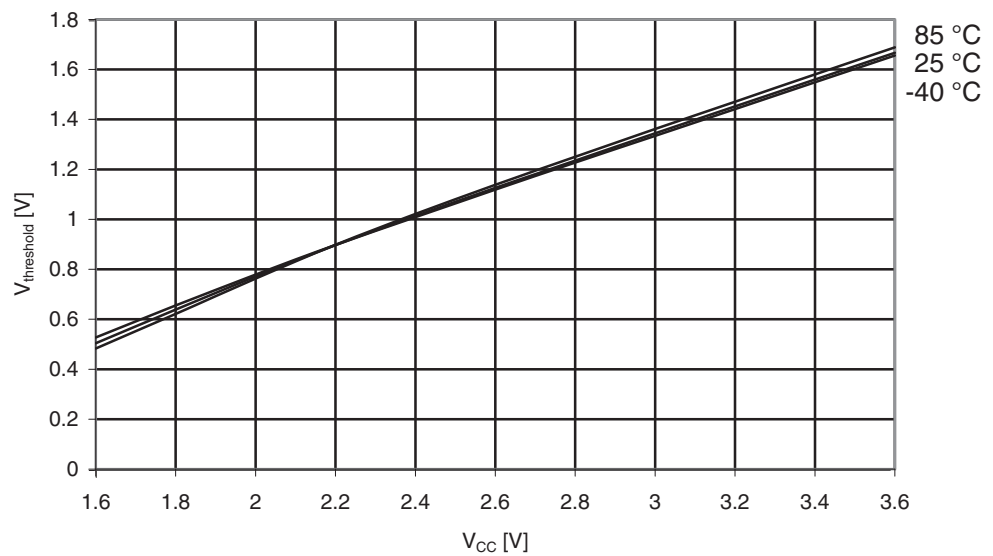


### 32.7 Pin Thresholds and Hysteresis

**Figure 32-27.** I/O Pin Input Threshold Voltage vs.  $V_{CC}$   
 $V_{IH}$  - I/O Pin Read as "1".

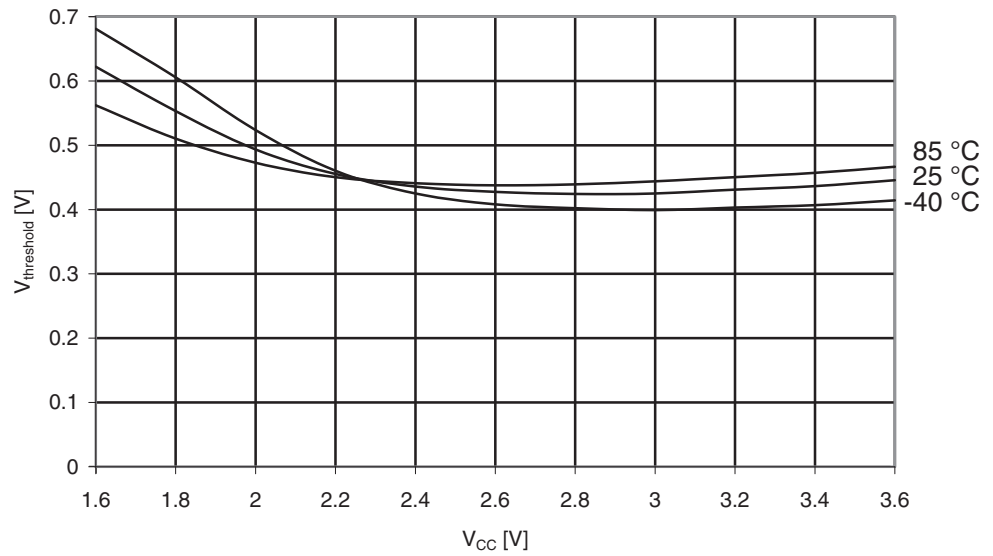


**Figure 32-28.** I/O Pin Input Threshold Voltage vs.  $V_{CC}$   
 $V_{IL}$  - I/O Pin Read as "0".



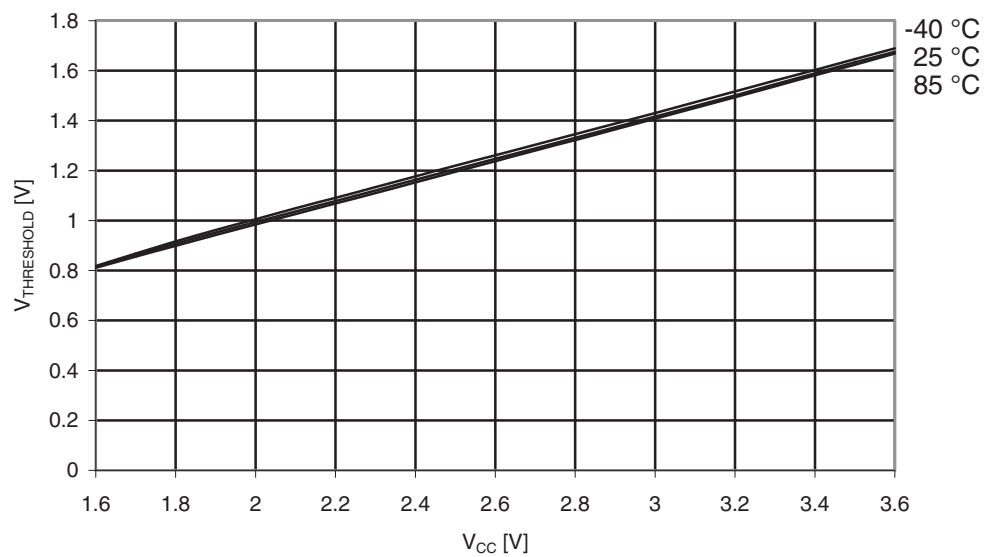


**Figure 32-29.** I/O Pin Input Hysteresis vs.  $V_{CC}$ .

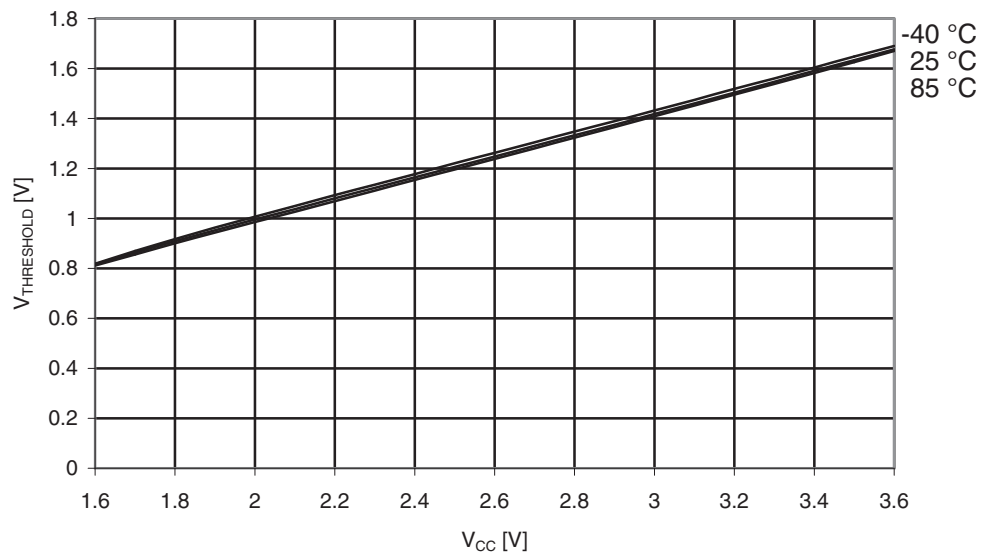


**Figure 32-30.** Reset Input Threshold Voltage vs.  $V_{CC}$

$V_{IH}$  - I/O Pin Read as "1".

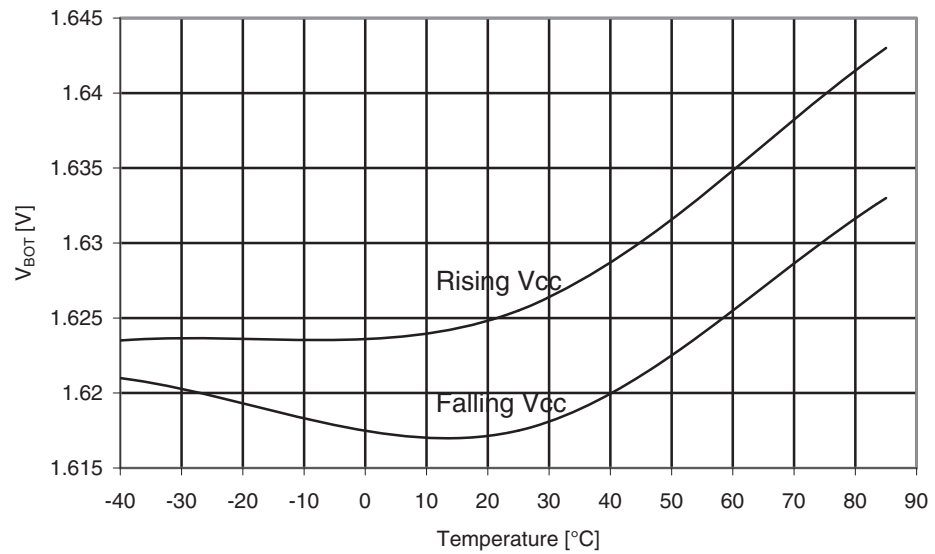


**Figure 32-31.** Reset Input Threshold Voltage vs.  $V_{CC}$   
 $V_{IL}$  - I/O Pin Read as "0".



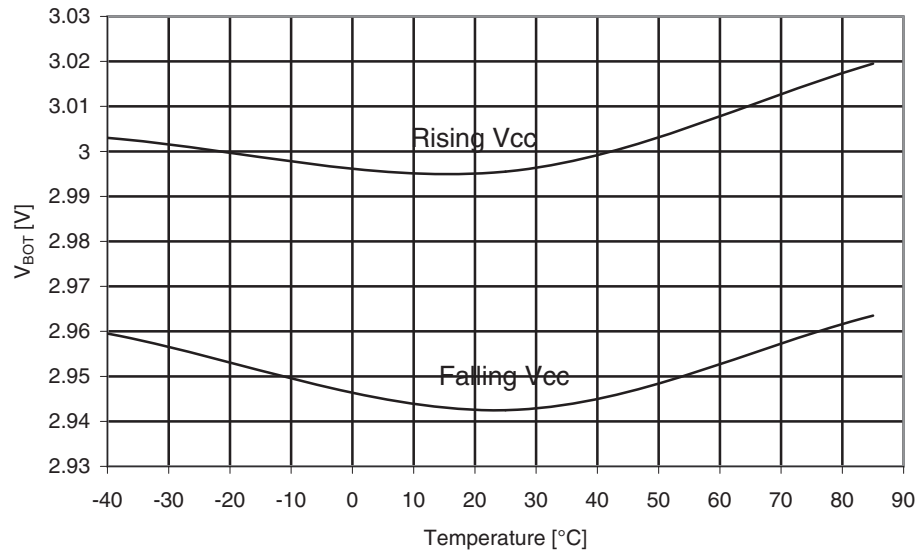
### 32.8 Bod Thresholds

**Figure 32-32.** BOD Thresholds vs. Temperature  
 BOD Level = 1.6V.



**Figure 32-33.** BOD Thresholds vs. Temperature

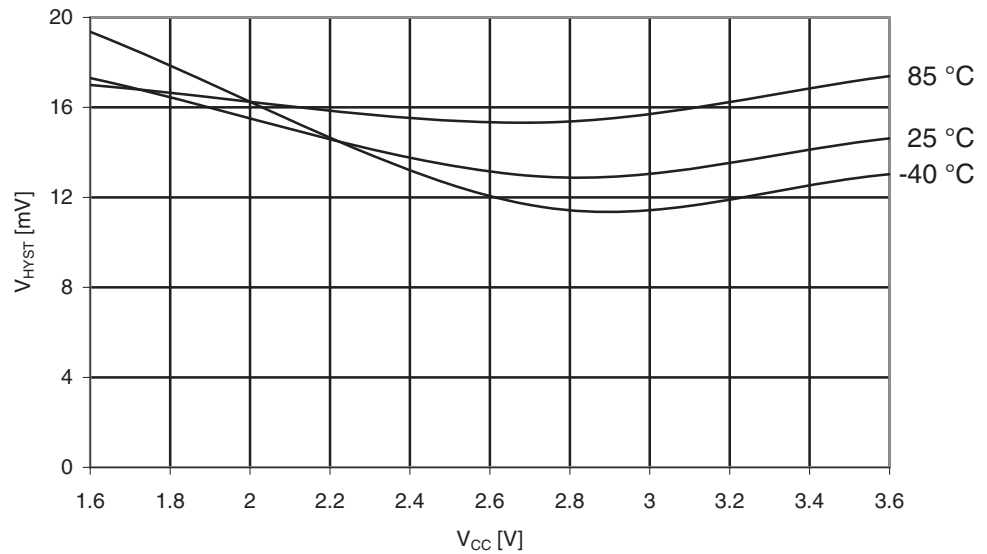
*BOD Level = 2.9V.*



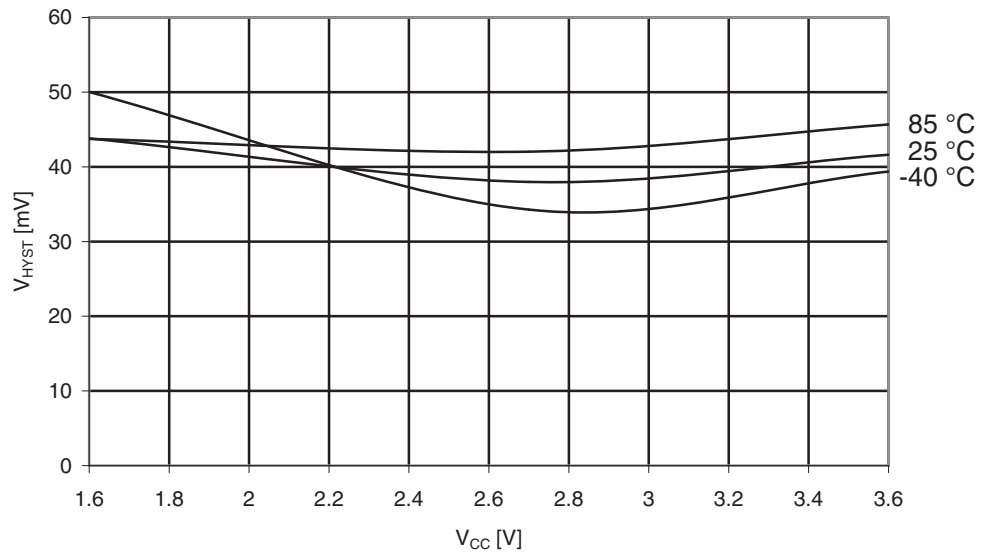
### 32.9 Analog Comparator

**Figure 32-34.** Analog Comparator Hysteresis vs.  $V_{CC}$

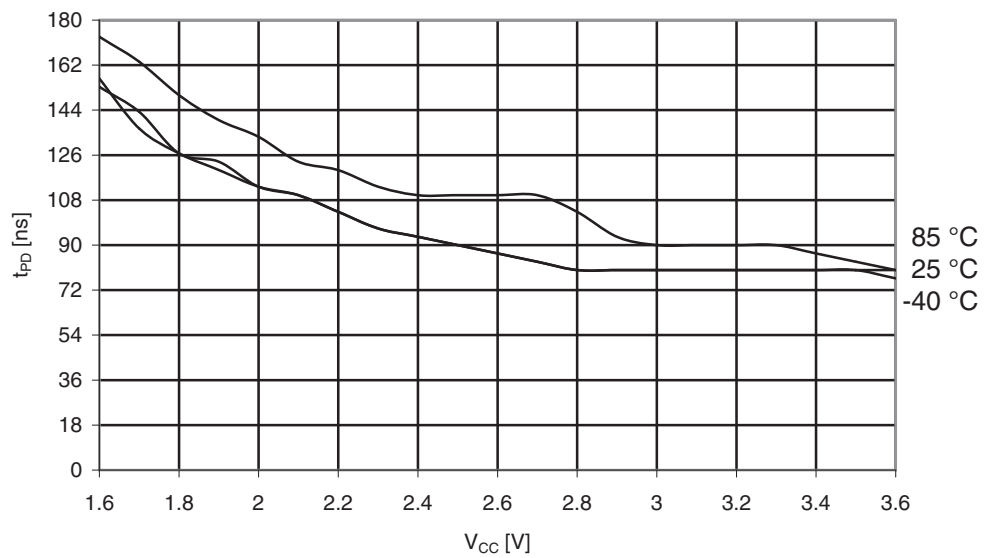
*High-speed, Small hysteresis.*



**Figure 32-35.** Analog Comparator Hysteresis vs.  $V_{CC}$   
*High-speed, Large hysteresis.*



**Figure 32-36.** Analog Comparator Propagation Delay vs.  $V_{CC}$   
*High-speed.*

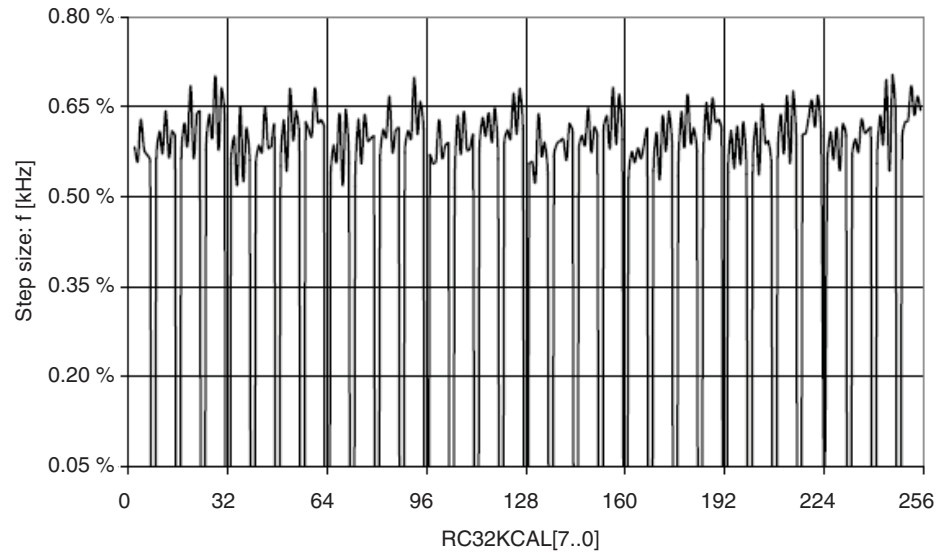


## 32.10 Oscillators and Wake-up Time

### 32.10.1 Internal 32.768 kHz Oscillator

**Figure 32-37.** Internal 32.768 kHz Oscillator Calibration Step Size

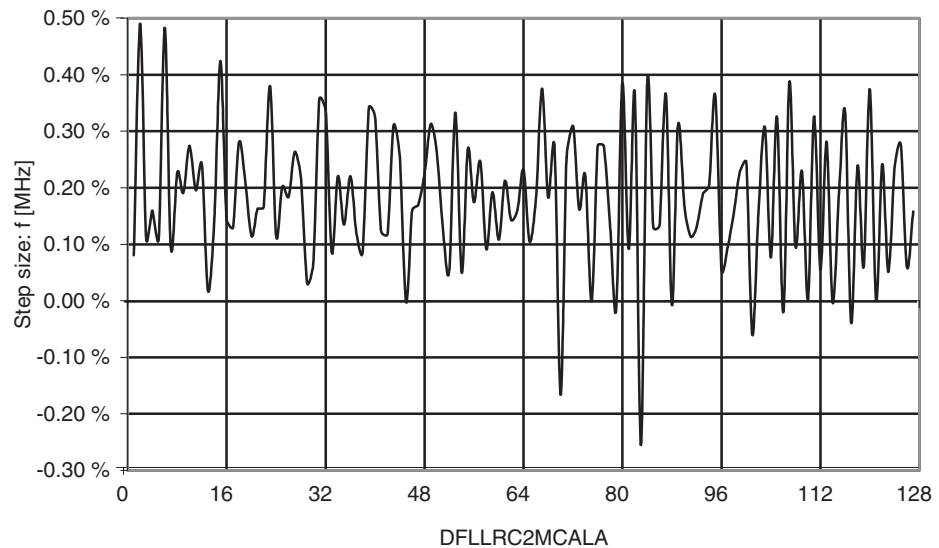
*T = -40 to 85°C, V<sub>CC</sub> = 3V.*



### 32.10.2 Internal 2 MHz Oscillator

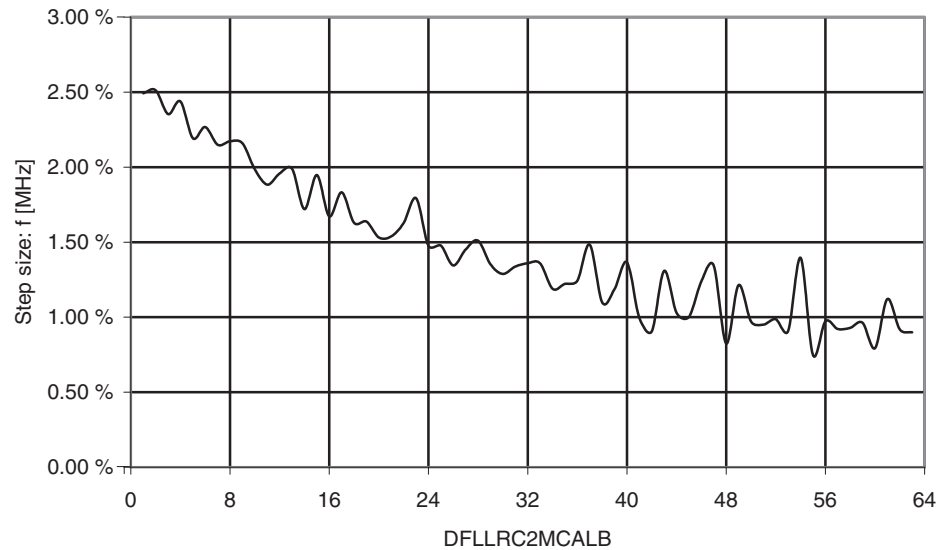
**Figure 32-38.** Internal 2 MHz Oscillator CALA Calibration Step Size

*T = -40 to 85°C, V<sub>CC</sub> = 3V.*



**Figure 32-39.** Internal 2 MHz Oscillator CALB Calibration Step Size

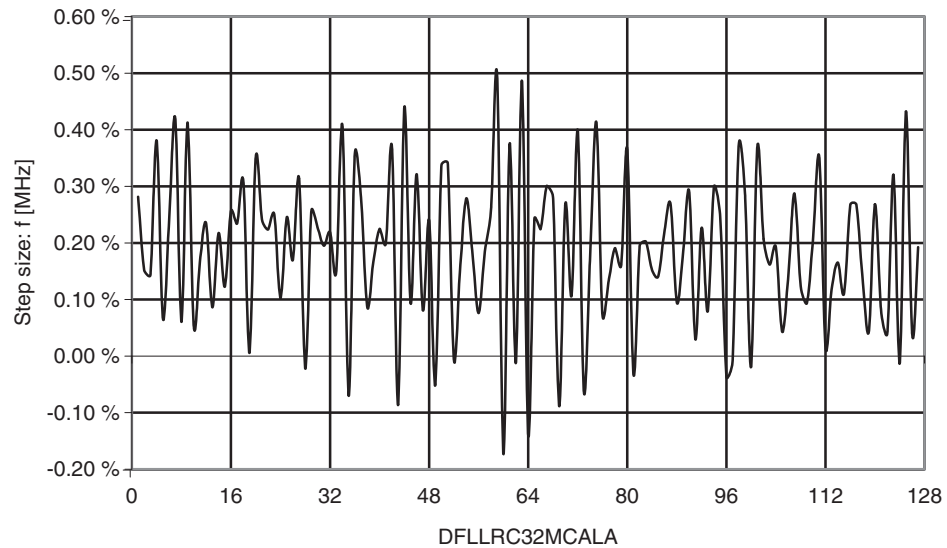
*T = -40 to 85°C, V<sub>CC</sub> = 3V.*



**32.10.3 Internal 32 MHz Oscillator**

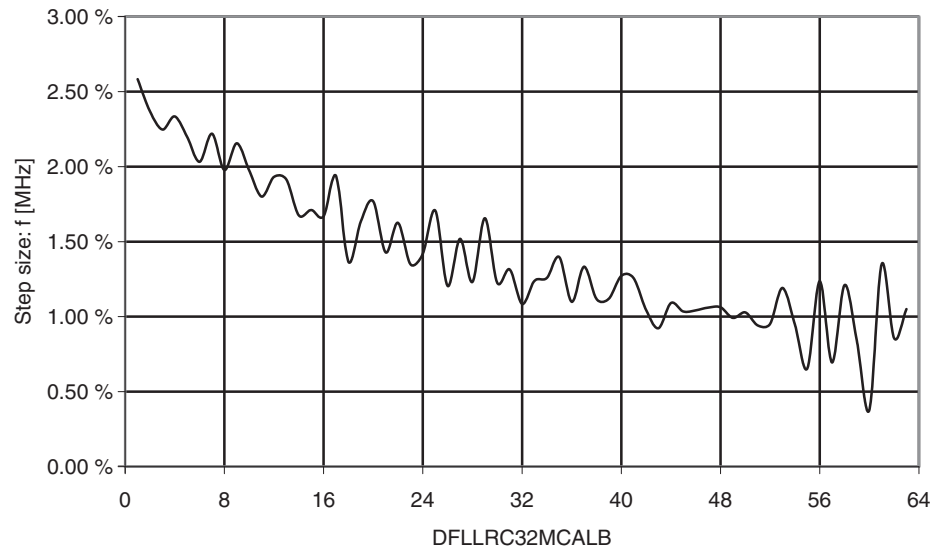
**Figure 32-40.** Internal 32 MHz Oscillator CALA Calibration Step Size

*T = -40 to 85°C, V<sub>CC</sub> = 3V.*



**Figure 32-41.** Internal 32 MHz Oscillator CALB Calibration Step Size

*T = -40 to 85°C, V<sub>CC</sub> = 3V.*



### 32.11 Module current consumption

**Figure 32-42.** AC current consumption vs. V<sub>CC</sub>

*Low-power Mode.*

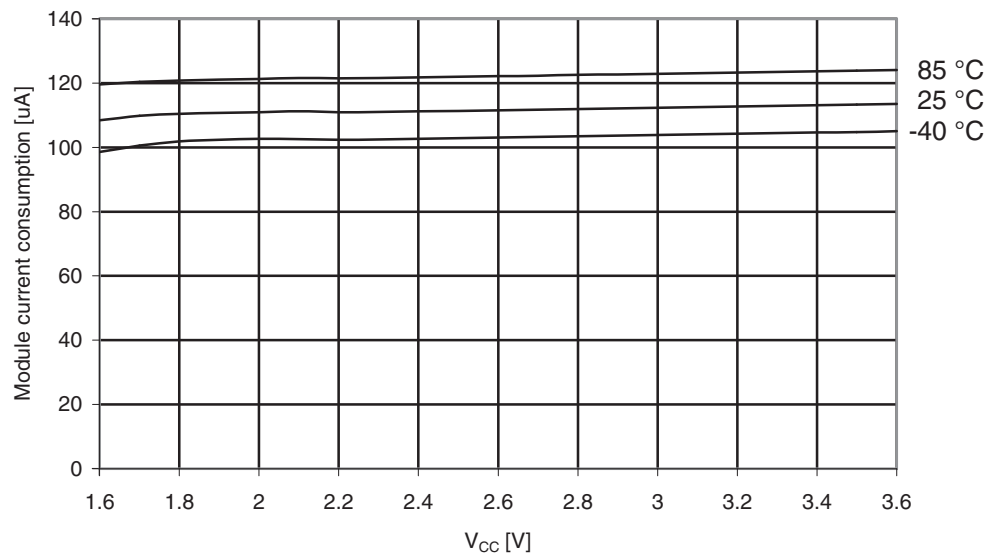
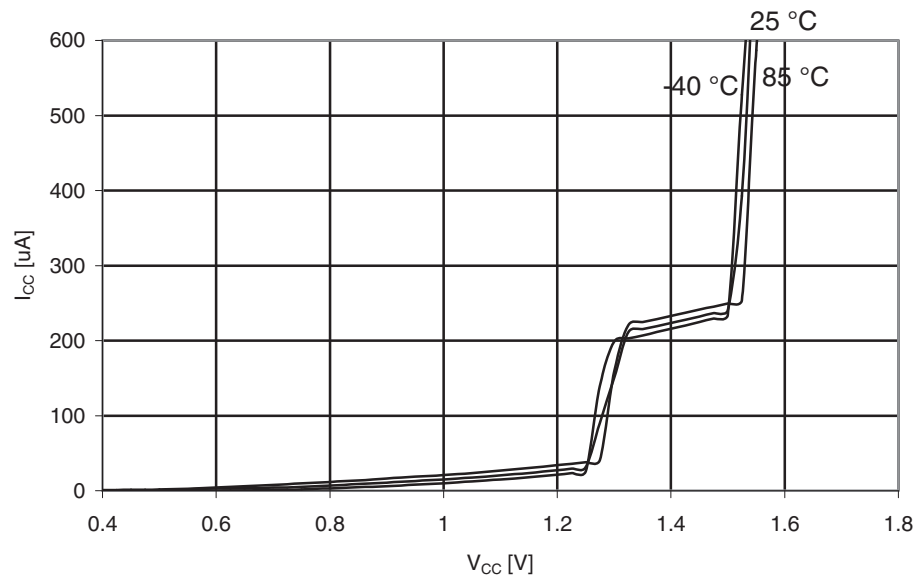
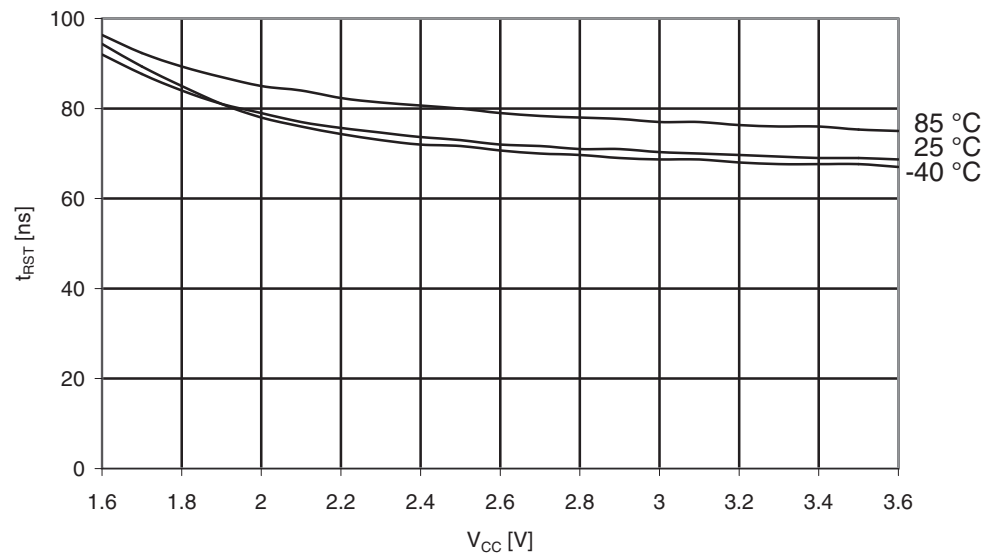


Figure 32-43. Power-up current consumption vs. V<sub>CC</sub>



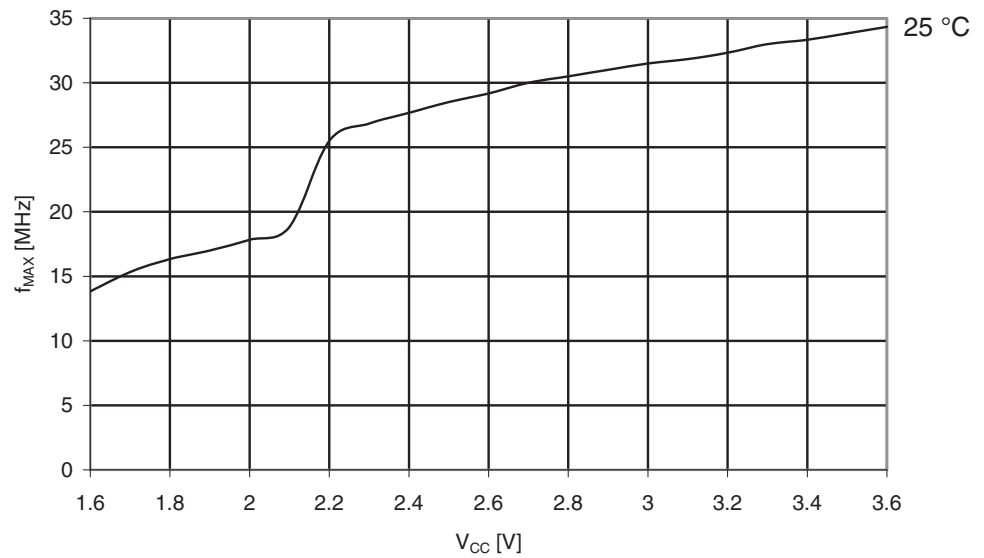
### 32.12 Reset Pulsewidth

Figure 32-44. Minimum Reset Pulse Width vs. V<sub>CC</sub>





## 32.13 PDI Speed

Figure 32-45. PDI Speed vs. V<sub>CC</sub>

## 33. Errata

### 33.1 ATxmega32D4, ATxmega16D4 rev. A

- Flash Power Reduction Mode can not be enabled when entering sleep mode
- Bandgap voltage input for the ACs cannot be changed when used for both ACs simultaneously
- Bandgap measurement with the ADC is non-functional when  $V_{CC}$  is below 2.7V
- ADC gain stage cannot be used for single conversions
- ADC gain stage output range is limited to 2.4V
- ADC has increased INL error for some operating conditions
- ADC propagation delay is not correct when 8x-64x gain is used
- BOD will be enabled after any reset
- VCC voltage scaler for AC is non-linear
- TWIE is not available
- Inverted I/O enable does not affect Analog Comparator Output

#### 1. Flash Power Reduction Mode can not be enabled when entering sleep mode

If Flash Power Reduction Mode is enabled when a deep sleep mode, the device will only wake up on every fourth wake-up request.

If Flash Power Reduction Mode is enabled when entering Idle sleep mode, the wake-up time will vary with up to 16 CPU clock cycles.

##### **Problem fix/Workaround**

Disable Flash Power Reduction mode before entering sleep mode.

#### 2. Bandgap voltage input for the ACs cannot be changed when used for both ACs simultaneously

If the bandgap voltage is selected as input for one Analog Comparator (AC) and then selected/deselected as input for the another AC, the first comparator will be affected for up to 1 us and could potentially give a wrong comparison result.

##### **Problem fix/Workaround**

If the Bandgap is required for both ACs simultaneously, configure the input selection for both ACs before enabling any of them.

#### 3. Bandgap measurement with the ADC is non-functional when $V_{CC}$ is below 2.7V

The ADC cannot be used to do bandgap measurements when  $V_{CC}$  is below 2.7V.

##### **Problem fix/Workaround**

If internal voltages must be measured when  $V_{CC}$  is below 2.7V, measure the internal 1.00V reference instead of the bandgap.

#### 4. ADC gain stage cannot be used for single conversion

The ADC gain stage will not output correct result for single conversions that is triggered and started from software or the event system.

##### **Problem fix/Workaround**

When the gain stage is used, the ADC must be set in free running mode for correct results.

**5. ADC gain stage output range is limited to 2.4 V**

The amplified output of the ADC gain stage will never go above 2.4 V, hence the differential input will only give correct output when below 2.4 V/gain. For the available gain settings, this gives a differential input range of:

- 1x gain: 2.4 V
- 2x gain: 1.2 V
- 4x gain: 0.6 V
- 8x gain: 300 mV
- 16x gain: 150 mV
- 32x gain: 75 mV
- 64x gain: 38 mV

**Problem fix/Workaround**

Keep the amplified voltage output from the ADC gain stage below 2.4 V in order to get a correct result, or keep ADC voltage reference below 2.4 V.

**6. ADC has increased INL error for some operating conditions**

Some ADC configurations or operating condition will result in increased INL error.

In differential mode INL is increased to:

- 6 LSB for sample rates above 130 kSPS, and up to 8 LSB for 200 kSPS sample rate.
- 6 LSB for reference voltage below 1.1V when VCC is above 3.0V.
- 20 LSB for ambient temperature below 0 degree C and reference voltage below 1.3V.

In single ended mode, the INL is increased up to a factor of 3 for the conditions above.

**Problem fix/Workaround**

None, avoid using the ADC in the above configurations in order to prevent increased INL error.

**7. ADC propagation delay is not correct when 8x-64x gain is used**

The propagation delay will increase by only one ADC clock cycle for the 8x and 16x gain setting, and 32x and 64x gain settings.

**Problem fix/Workaround**

None.

**8. BOD will be enabled after any reset**

If any reset source goes active, the BOD will be enabled and keep the device in reset if the VCC voltage is below the programmed BOD level. During Power-On Reset, reset will not be released until VCC is above the programmed BOD level even if the BOD is disabled.

**Problem fix/Workaround**

Do not set the BOD level higher than VCC even if the BOD is not used.

**9. VCC voltage scaler for AC is non-linear**

The 6-bit VCC voltage scaler in the Analog Comparators is non-linear.

**Problem fix/Workaround**

Use external voltage input for the analog comparator if accurate voltage levels are needed.

**10. TWIE is not available**

The TWI module on PORTE, TWIE is not available.

**Problem fix/Workaround**

Use the identical TWI module on PORTC, TWIC instead.

**11. Inverted I/O enable does not affect Analog Comparator Output**

The inverted I/O pin function does not affect the Analog Comparator output function.

**Problem fix/Workarund**

Configure the analog comparator setup to give a inverted result (i.e. connect positive input to the negative AC input and vice versa), or use and external inverter to change polarity of Analog Comparator Output.

## 34. Datasheet Revision History

Please note that the referring page numbers in this section are referred to this document. The referring revisions in this section are referring to the document revision.

### 34.1 8135F – 02/10

1. Added "PDI Speed" on page 89.

### 34.2 8135E – 02/10

1. Updated the device pin-out [Figure 2-1 on page 3](#). PDI\_CLK and PDI\_DATA renamed only PDI.
2. Updated [Table 7-3 on page 14](#). No of Pages for ATxmega32D4: 32
3. Updated "Alternate Port Functions" on page 29.
4. Updated "ADC - 12-bit Analog to Digital Converter" on page 39.
5. Updated [Figure 23-1 on page 40](#).
6. Updated "Alternate Pin Functions" on page 48.
7. Updated "Timer/Counter and AWEX functions" on page 46.
8. Added [Table 31-17 on page 65](#).
9. Added [Table 31-18 on page 66](#).
10. Changed Internal Oscillator Speed to "Oscillators and Wake-up Time" on page 85.
11. Updated "Errata" on page 90.

### 34.3 8135D – 12/09

1. Added ATxmega128D4 device and updated the datasheet accordingly.
2. Updated "Electrical Characteristics" on page 58 with Max/Min numbers.
3. Added "Flash and EEPROM Memory Characteristics" on page 61.
4. Updated [Table 31-10 on page 64](#), Input hysteresis is in V and not in mV.
5. Added "Errata" on page 90.

### 34.4 8135C – 10/09

1. Updated "Features" on page 1 with Two Two-Wire Interfaces.
2. Updated "Block Diagram and TQFP/QFN pinout" on page 3.
3. Updated "Overview" on page 5.
4. Updated "XMEGA D4 Block Diagram" on page 6.

5. Updated [Table 13-1 on page 24](#).
6. Updated ["Overview" on page 35](#).
7. Updated [Table 27-5 on page 49](#).
8. Updated ["Peripheral Module Address Map" on page 50](#).

## 34.5 8135B – 09/09

1. Added ["Electrical Characteristics" on page 58](#).
2. Added ["Typical Characteristics" on page 67](#).

## 34.6 8135A – 03/09

1. Initial revision.

## Table of Contents

|           |   |           |
|-----------|---|-----------|
|           | <b>Features .....</b>                                 | <b>1</b>  |
|           | <b>Typical Applications .....</b>                     | <b>1</b>  |
| <b>1</b>  | <b>Ordering Information .....</b>                     | <b>2</b>  |
| <b>2</b>  | <b>Pinout/Block Diagram .....</b>                     | <b>3</b>  |
| <b>3</b>  | <b>Overview .....</b>                                 | <b>5</b>  |
|           | 3.1 Block Diagram .....                               | 6         |
| <b>4</b>  | <b>Resources .....</b>                                | <b>7</b>  |
|           | 4.1 Recommended reading .....                         | 7         |
| <b>5</b>  | <b>Disclaimer .....</b>                               | <b>7</b>  |
| <b>6</b>  | <b>AVR CPU .....</b>                                  | <b>8</b>  |
|           | 6.1 Features .....                                    | 8         |
|           | 6.2 Overview .....                                    | 8         |
|           | 6.3 Register File .....                               | 9         |
|           | 6.4 ALU - Arithmetic Logic Unit .....                 | 9         |
|           | 6.5 Program Flow .....                                | 9         |
| <b>7</b>  | <b>Memories .....</b>                                 | <b>10</b> |
|           | 7.1 Features .....                                    | 10        |
|           | 7.2 Overview .....                                    | 10        |
|           | 7.3 In-System Programmable Flash Program Memory ..... | 11        |
|           | 7.4 Data Memory .....                                 | 12        |
|           | 7.5 Production Signature Row .....                    | 13        |
|           | 7.6 User Signature Row .....                          | 13        |
|           | 7.7 Flash and EEPROM Page Size .....                  | 13        |
| <b>8</b>  | <b>Event System .....</b>                             | <b>15</b> |
|           | 8.1 Features .....                                    | 15        |
|           | 8.2 Overview .....                                    | 15        |
| <b>9</b>  | <b>System Clock and Clock options .....</b>           | <b>17</b> |
|           | 9.1 Features .....                                    | 17        |
|           | 9.2 Overview .....                                    | 17        |
|           | 9.3 Clock Options .....                               | 18        |
| <b>10</b> | <b>Power Management and Sleep Modes .....</b>         | <b>20</b> |

|           |   |           |
|-----------|---|-----------|
| 10.1      | Features .....  | 20        |
| 10.2      | Overview .....  | 20        |
| 10.3      | Sleep Modes .....   | 20        |
| <b>11</b> | <b>System Control and Reset .....</b>                             | <b>22</b> |
| 11.1      | Features .....  | 22        |
| 11.2      | Resetting the AVR .....   | 22        |
| 11.3      | Reset Sources .....   | 22        |
| <b>12</b> | <b>WDT - Watchdog Timer .....</b>                                 | <b>23</b> |
| 12.1      | Features .....  | 23        |
| 12.2      | Overview .....  | 23        |
| <b>13</b> | <b>PMIC - Programmable Multi-level Interrupt Controller .....</b> | <b>24</b> |
| 13.1      | Features .....  | 24        |
| 13.2      | Overview .....  | 24        |
| 13.3      | Interrupt vectors .....   | 24        |
| <b>14</b> | <b>I/O Ports .....</b>  | <b>26</b> |
| 14.1      | Features .....  | 26        |
| 14.2      | Overview .....  | 26        |
| 14.3      | I/O configuration .....   | 26        |
| 14.4      | Input sensing .....   | 29        |
| 14.5      | Port Interrupt .....  | 29        |
| 14.6      | Alternate Port Functions .....                                    | 29        |
| <b>15</b> | <b>T/C - 16-bit Timer/Counter .....</b>                           | <b>30</b> |
| 15.1      | Features .....  | 30        |
| 15.2      | Overview .....  | 30        |
| <b>16</b> | <b>AWEX - Advanced Waveform Extension .....</b>                   | <b>32</b> |
| 16.1      | Features .....  | 32        |
| 16.2      | Overview .....  | 32        |
| <b>17</b> | <b>Hi-Res - High Resolution Extension .....</b>                   | <b>33</b> |
| 17.1      | Features .....  | 33        |
| 17.2      | Overview .....  | 33        |
| <b>18</b> | <b>RTC - 16-bit Real-Time Counter .....</b>                       | <b>34</b> |
| 18.1      | Features .....  | 34        |
| 18.2      | Overview .....  | 34        |



|           |  |           |
|-----------|--|-----------|
| <b>19</b> | <b><i>TWI - Two-Wire Interface</i></b> .....                 | <b>35</b> |
| 19.1      | Features .....   | 35        |
| 19.2      | Overview .....   | 35        |
| <b>20</b> | <b><i>SPI - Serial Peripheral Interface</i></b> .....        | <b>36</b> |
| 20.1      | Features .....   | 36        |
| 20.2      | Overview .....   | 36        |
| <b>21</b> | <b><i>USART</i></b> .....                                    | <b>37</b> |
| 21.1      | Features .....   | 37        |
| 21.2      | Overview .....   | 37        |
| <b>22</b> | <b><i>IRCOM - IR Communication Module</i></b> .....          | <b>38</b> |
| 22.1      | Features .....   | 38        |
| 22.2      | Overview .....   | 38        |
| <b>23</b> | <b><i>ADC - 12-bit Analog to Digital Converter</i></b> ..... | <b>39</b> |
| 23.1      | Features .....   | 39        |
| 23.2      | Overview .....   | 39        |
| <b>24</b> | <b><i>AC - Analog Comparator</i></b> .....                   | <b>41</b> |
| 24.1      | Features .....   | 41        |
| 24.2      | Overview .....   | 41        |
| 24.3      | Input Selection .....  | 43        |
| 24.4      | Window Function .....  | 43        |
| <b>25</b> | <b><i>OCD - On-chip Debug</i></b> .....                      | <b>44</b> |
| 25.1      | Features .....   | 44        |
| 25.2      | Overview .....   | 44        |
| <b>26</b> | <b><i>PDI - Program and Debug Interface</i></b> .....        | <b>45</b> |
| 26.1      | Features .....   | 45        |
| 26.2      | Overview .....   | 45        |
| 26.3      | PDI - Program and Debug Interface .....                      | 45        |
| <b>27</b> | <b><i>Pinout and Pin Functions</i></b> .....                 | <b>46</b> |
| 27.1      | Alternate Pin Functions Description .....                    | 46        |
| 27.2      | Alternate Pin Functions .....                                | 48        |
| <b>28</b> | <b><i>Peripheral Module Address Map</i></b> .....            | <b>50</b> |
| <b>29</b> | <b><i>Instruction Set Summary</i></b> .....                  | <b>51</b> |

|           |  |           |
|-----------|--|-----------|
| <b>30</b> | <b>Packaging information</b>               | <b>55</b> |
| 30.1      | 44A  | 55        |
| 30.2      | 44M1                                       | 56        |
| 30.3      | 49C2                                       | 57        |
| <b>31</b> | <b>Electrical Characteristics</b>          | <b>58</b> |
| 31.1      | Absolute Maximum Ratings*                  | 58        |
| 31.2      | DC Characteristics                         | 58        |
| 31.3      | Speed                                      | 60        |
| 31.4      | Flash and EEPROM Memory Characteristics    | 61        |
| 31.5      | ADC Characteristics                        | 62        |
| 31.6      | Analog Comparator Characteristics          | 63        |
| 31.7      | Bandgap Characteristics                    | 63        |
| 31.8      | Brownout Detection Characteristics         | 63        |
| 31.9      | PAD Characteristics                        | 64        |
| 31.10     | POR Characteristics                        | 64        |
| 31.11     | Reset Characteristics                      | 64        |
| 31.12     | Oscillator Characteristics                 | 65        |
| <b>32</b> | <b>Typical Characteristics</b>             | <b>67</b> |
| 32.1      | Active Supply Current                      | 67        |
| 32.2      | Idle Supply Current                        | 70        |
| 32.3      | Power-down Supply Current                  | 74        |
| 32.4      | Power-save Supply Current                  | 75        |
| 32.5      | Pin Pull-up                                | 75        |
| 32.6      | Pin Output Voltage vs. Sink/Source Current | 77        |
| 32.7      | Pin Thresholds and Hysteresis              | 80        |
| 32.8      | Bod Thresholds                             | 82        |
| 32.9      | Analog Comparator                          | 83        |
| 32.10     | Oscillators and Wake-up Time               | 85        |
| 32.11     | Module current consumption                 | 87        |
| 32.12     | Reset Pulsewidth                           | 88        |
| 32.13     | PDI Speed                                  | 89        |
| <b>33</b> | <b>Errata</b>                              | <b>90</b> |
| 33.1      | ATxmega32D4, ATxmega16D4 rev. A            | 90        |
| <b>34</b> | <b>Datasheet Revision History</b>          | <b>93</b> |
| 34.1      | 8135F – 02/10                              | 93        |

|                               |                     |                 |
|-------------------------------|---------------------|-----------------|
| 34.2                          | 8135E – 02/10 ..... | 93              |
| 34.3                          | 8135D – 12/09 ..... | 93              |
| 34.4                          | 8135C – 10/09 ..... | 93              |
| 34.5                          | 8135B – 09/09 ..... | 94              |
| 34.6                          | 8135A – 03/09 ..... | 94              |
| <b>Table of Contents.....</b> |                     | <b><i>i</i></b> |



## Headquarters

---

**Atmel Corporation**  
2325 Orchard Parkway  
San Jose, CA 95131  
USA  
Tel: 1(408) 441-0311  
Fax: 1(408) 487-2600

## International

---

**Atmel Asia**  
Unit 1-5 & 16, 19/F  
BEA Tower, Millennium City 5  
418 Kwun Tong Road  
Kwun Tong, Kowloon  
Hong Kong  
Tel: (852) 2245-6100  
Fax: (852) 2722-1369

**Atmel Europe**  
Le Krebs  
8, Rue Jean-Pierre Timbaud  
BP 309  
78054 Saint-Quentin-en-  
Yvelines Cedex  
France  
Tel: (33) 1-30-60-70-00  
Fax: (33) 1-30-60-71-11

**Atmel Japan**  
9F, Tonetsu Shinkawa Bldg.  
1-24-8 Shinkawa  
Chuo-ku, Tokyo 104-0033  
Japan  
Tel: (81) 3-3523-3551  
Fax: (81) 3-3523-7581

## Product Contact

---

**Web Site**  
[www.atmel.com](http://www.atmel.com)

**Technical Support**  
[avr@atmel.com](mailto:avr@atmel.com)

**Sales Contact**  
[www.atmel.com/contacts](http://www.atmel.com/contacts)

**Literature Requests**  
[www.atmel.com/literature](http://www.atmel.com/literature)

---

**Disclaimer:** The information in this document is provided in connection with Atmel products. No license, express or implied, by estoppel or otherwise, to any intellectual property right is granted by this document or in connection with the sale of Atmel products. **EXCEPT AS SET FORTH IN ATMEL'S TERMS AND CONDITIONS OF SALE LOCATED ON ATMEL'S WEB SITE, ATMEL ASSUMES NO LIABILITY WHATSOEVER AND DISCLAIMS ANY EXPRESS, IMPLIED OR STATUTORY WARRANTY RELATING TO ITS PRODUCTS INCLUDING, BUT NOT LIMITED TO, THE IMPLIED WARRANTY OF MERCHANTABILITY, FITNESS FOR A PARTICULAR PURPOSE, OR NON-INFRINGEMENT. IN NO EVENT SHALL ATMEL BE LIABLE FOR ANY DIRECT, INDIRECT, CONSEQUENTIAL, PUNITIVE, SPECIAL OR INCIDENTAL DAMAGES (INCLUDING, WITHOUT LIMITATION, DAMAGES FOR LOSS OF PROFITS, BUSINESS INTERRUPTION, OR LOSS OF INFORMATION) ARISING OUT OF THE USE OR INABILITY TO USE THIS DOCUMENT, EVEN IF ATMEL HAS BEEN ADVISED OF THE POSSIBILITY OF SUCH DAMAGES.** Atmel makes no representations or warranties with respect to the accuracy or completeness of the contents of this document and reserves the right to make changes to specifications and product descriptions at any time without notice. Atmel does not make any commitment to update the information contained herein. Unless specifically provided otherwise, Atmel products are not suitable for, and shall not be used in, automotive applications. Atmel's products are not intended, authorized, or warranted for use as components in applications intended to support or sustain life.

© 2010 Atmel Corporation. All rights reserved. Atmel®, Atmel logo and combinations thereof, AVR®, AVR® logo and others are registered trademarks, XMEGA™ and others are trademarks of Atmel Corporation or its subsidiaries. Other terms and product names may be trademarks of others.