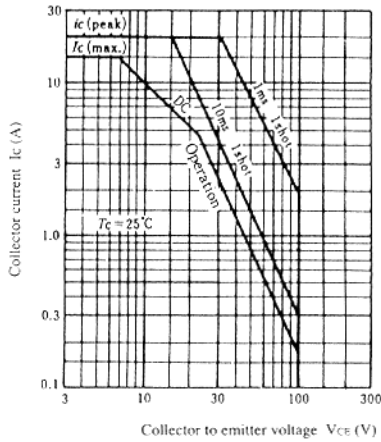
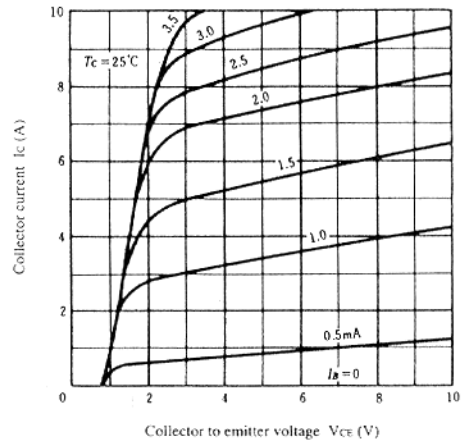


2SD1435 Ⓚ

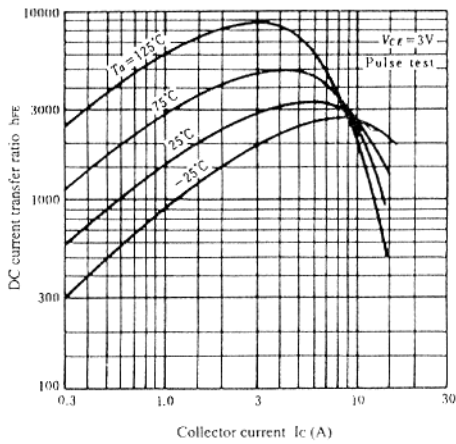
AREA OF SAFE OPERATION



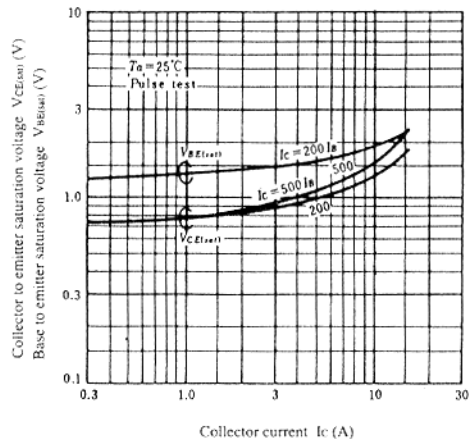
TYPICAL OUTPUT CHARACTERISTICS



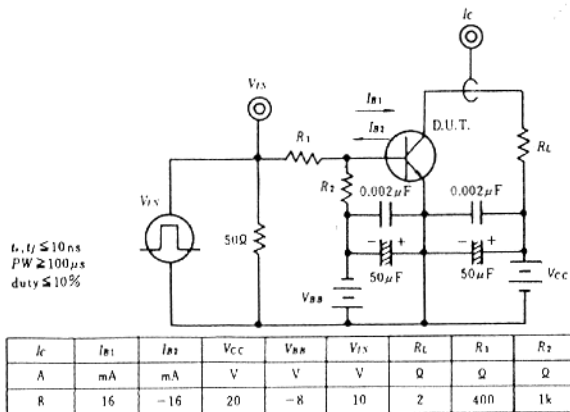
DC CURRENT TRANSFER RATIO VS. COLLECTOR CURRENT



SATURATION VOLTAGE VS. COLLECTOR CURRENT



SWITCHING TIME TEST CIRCUIT



RESPONSE WAVEFORM

