



# Cordless telephone, answering machine line interface

## Key Features

- ❑ Analogue line interface and speech circuit for a/b terminals on a 28-pin CMOS-IC
- ❑ 2 balanced transmit inputs
- ❑ 3 unbalanced transmit inputs
- ❑ 2 buffered single ended receive outputs ( $R_L > 150\Omega$ )
- ❑ 1 auxiliary single ended receive output ( $R_L > 10k\Omega$ )
- ❑ Low noise (max. -72dBmp)
- ❑ Soft clipping to avoid harsh distortion
- ❑ Operating range from 15mA to 100mA (down to 5mA with reduced performance)
- ❑ Line loss compensation selectable by pin option
- ❑ Real and complex impedance selectable by external components
- ❑ Side tone adaptation selectable by external components
- ❑ Digital controls input for mode selection
- ❑ Rx volume control

## General Description

AS2504 is a CMOS integrated circuit that incorporates DC and AC line adaptation (DC-mask and synthesised AC-impedance of  $1000\Omega$ ) as well as a speech circuit with softclipping, line loss compensation and Rx-volume control. It shall act as an a/b-line powered or auxiliary powered device, which is controlled by a CPU.

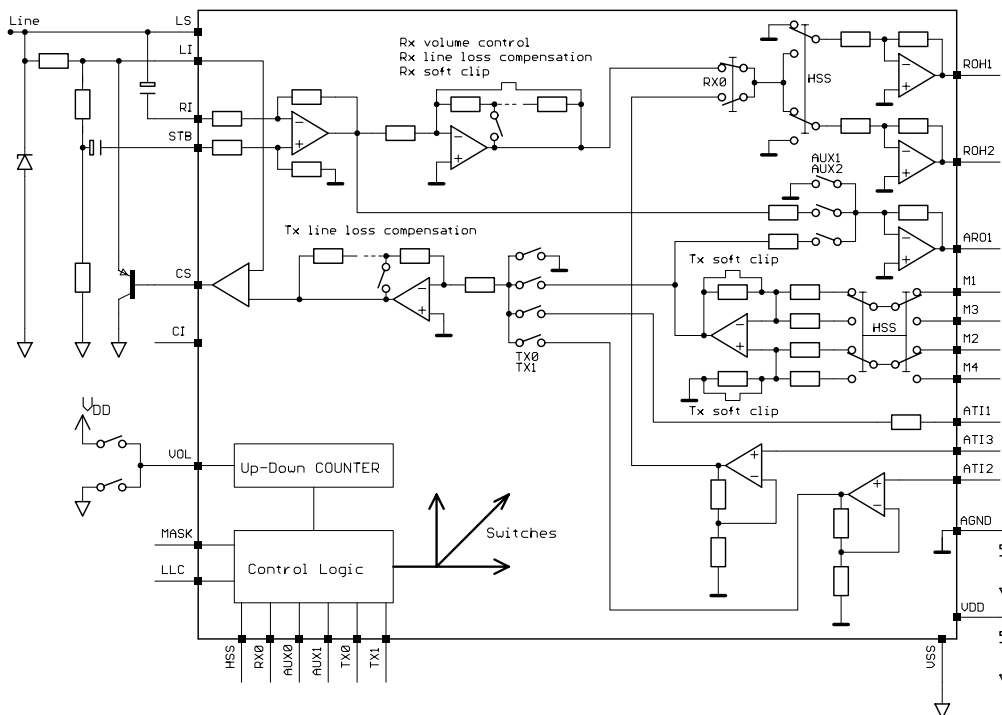
## Application

Cordless base stations, answering machines, a/b-line or auxiliary powered telephone sets.

## Package

Available in 28 pin SOIC

## Block Diagram



**Pin description**

Pin #	Symbol	Function
7	LS	<b>Line Current Sense Input</b> Input for sensing the line current
5	LI	<b>Line Input</b> Input used for power extraction and line current sensing
6	RI	<b>Receive Input</b> Input for ac-separated receive signal
13	STB	<b>Side Tone Balance Input</b> Input for side tone cancellation network
3	CS	<b>Current Shunt Control Output</b> N-channel open drain output to control the external high power shunt transistor for synthesising AC- and DC-impedance, modulation of line voltage and shorting the line during make periods of pulse dialling
14	CI	<b>Complex Impedance Input</b> Input pin for the capacitor to program a complex impedance
25	MASK	<b>MASK</b> Input pin to set circuit into power down mode during e.g. LD-dialling. During MASK=HIGH, CS-pin is internally shorted to ground.
26	LLC	<b>Line Loss Compensation Select Pin</b> 45mA-75mA → VDD 20mA-50mA → AGND None → VSS
11	VDD	<b>Voltage Drain Drain</b> Positive Power Supply, for external circuitry t.m. 4.0mA@IL=20mA and 4.0mA@IL=20mA
4	VSS	<b>Voltage Source Source</b> Negative Power Supply
12	AGND	<b>Analogue Ground</b> Special ground for the internal amplifiers
2	M1	<b>Microphone Input 1</b> Differential input for the microphone (electret)
1	M2	<b>Microphone Input 2</b> Differential input for the microphone (electret)
28	M3	<b>Microphone Input 3</b> Differential input for the microphone (electret)
27	M4	<b>Microphone Input 4</b> Differential input for the microphone (electret)
24	AT11	<b>Auxiliary Transmit Input 1</b> RI >= 25kΩ
23	AT12	<b>Auxiliary Transmit Input 2</b> RI >= 100kΩ

Pin #	Symbol	Function
15	ATI3	<b>A</b> uxiliary <b>T</b> ransmit <b>I</b> nput <b>3</b> R <sub>I</sub> >= 100kΩ
8	ROH1	<b>R</b> ecieve <b>O</b> utput to <b>H</b> andset <b>1</b> Output for driving a dynamic earpiece with an impedance from 150Ω to 300Ω (max. 0.7Vp)
9	ROH2	<b>R</b> ecieve <b>O</b> utput to <b>H</b> andset <b>2</b> Output for driving a dynamic earpiece with an impedance from 150Ω to 300Ω (max. 1.4Vp)
10	ARO1	<b>A</b> uxiliary <b>R</b> ecieve <b>O</b> utput <b>1</b> R <sub>L</sub> > 10kΩ (max. 1.4Vp)
16	VOL	<b>VOL</b> ume Input pin for increasing (= connect to V <sub>IN</sub> >= V <sub>DD</sub> -0.3V) or decreasing (= connect to V <sub>IN</sub> <= V <sub>SS</sub> +0.3V) the Rx volume. The idle state is between V <sub>SS</sub> +1.4V < V <sub>IN</sub> < V <sub>DD</sub> -1.4V. Max rise time 50ns, max fall time 50ns, min pulse width 1us
22	HSS	<b>H</b> and <b>S</b> et or <b>H</b> ead <b>S</b> et / bit ① Digital input to select the ROH1 or ROH2 signal output path
21	RX0	<b>R</b> ecieve <b>0</b> / bit ② Digital input to select a signal path
18	AUX0	<b>A</b> uxiliary <b>0</b> / bit ③ Digital input to select a signal path
17	AUX1	<b>A</b> uxiliary <b>1</b> / bit ④ Digital input to select a signal path
20	TX0	<b>T</b> ransmit <b>0</b> / bit ⑤ Digital input to select a signal path
19	TX1	<b>T</b> ransmit <b>1</b> / bit ⑥ Digital input to select a signal path

## Functional Description

### Modes of operation

There are 3 possible modes:

**Idle Mode:** AS2504 is disconnected from the a/b-line (= no line current) and VDD is not supplied by auxiliary power. All internal circuits are powered down. Input of digital control signals is not possible.

**Line Power Mode:** AS2504 is connected to the a/b-line and VDD is generated by the internal power extraction. The speech circuit is powered up. The line interface circuit is functional (DC-mask and AC-impedance are synthesised). Input of digital control signals is possible.

**Aux. Power Mode:** AS2504 is disconnected from the a/b-line (= no line current) and VDD is supplied by auxiliary power. The speech circuit is powered up. The line interface circuit is not functional (DC-mask and AC-impedance). Input of digital control signals is possible.

### Start-up in Line Power Mode

As soon as AS2504 is supplied with line current, the external V<sub>dd</sub> capacitor will be charged up via the LI- and VDD-pin. After the V<sub>dd</sub> voltage has reached the operating level of 2V, the line interface circuit and the selected signal path of the speech circuit is switched on. This off-hook status is signalled to the internal logic via the LS-pin (voltage level sensitive).

### Start-up in Aux. Power Mode

As soon as AS2504 is supplied with auxiliary power at the VDD-pin, the selected signal path of the speech circuit is switched on. The line interface circuit (DC-mask and AC-impedance) is not functional. This on-hook status is signalled to the internal logic via the LS-pin (voltage level sensitive).

### DC conditions

The normal operating mode is from 15mA to 100mA. An operating mode with reduced performance is from 5mA to 15mA. In the line hold range from 0mA to 5mA the device is in a power down mode and the voltage at LI is reduced to a maximum of 3.5V

The DC characteristic is determined by the voltage at LI-pin and a 30Ω resistor between LI- and LS-pin. It can be calculated by the following equation:  $V_{LS} = V_{LI} + I_{Line} * 30\Omega$ . The t.m. voltage at the LI-pin is 4.5V. The calculation leads to the following DC resistances: 330Ω to 75Ω at line currents from 15mA to 100mA.

With a HIGH at the MASK-pin, the speech circuit and other parts of the device, which are not needed for operation, are in power down mode in order to save current. The CS-pin is pulled to V<sub>ss</sub> to turn the external shunt transistor fully on. This guarantees a low voltage drop (<1V) at the LI-pin during make periods of pulse dialling or flash.

### 2/4 wire conversion

AS2504 has a built-in dual Wheatstone bridge with one common ground. This provides a maximum of independence of AC-impedance and side tone from each other. One can adapt side tone without changing the AC-impedance.

### AC-impedance

The AC-impedance of AS2504 is set to t.m. 1000Ω. With the external capacitor at CI-pin it can be programmed complex. With an external resistor of approx. 1.5kΩ connected to the LS-pin it can be programmed to 600Ω.  $Z_{AC(syn)} = 33 * 30\Omega$ .

### Side Tone

A good sidetone cancellation can be achieved by using the following equation:

$$Z_{BAL}/Z_{LINE} = 10$$

### Transmit path

The gain of the M1/M2 → LS is set to 37dB. The input is differential with an impedance of 20kΩ. The soft clip circuit limits the output voltage at LS to 2V<sub>p</sub>. The attack time is 30μs/6dB and the decay time is 20ms/6dB.

The gain of the M3/M4 → LS is set to 43dB. The input is differential with an impedance of 10kΩ. The soft clip circuit limits the output voltage at LS to 2V<sub>p</sub>. The attack time is 30μs/6dB and the decay time is 20ms/6dB.

The gain of the ATI1 → LS is set to 6dB. The input is unbalanced with an impedance of 25kΩ. There is no softclipping.

The gain of the ATI2 → LS is set to 20dB. The input is unbalanced with an impedance of 100kΩ. There is no softclipping.

### Intercom path

The gain of the ATI3 → ROH1 is set to 6dB. The input is unbalanced with an impedance of 100kΩ. There is no softclipping.

The gain of the ATI3 → ROH2 is set to 12dB. The input is unbalanced with an impedance of 100kΩ. There is no softclipping.

The gain of the M1/M2 → ARO1 is set to 23dB. The input is differential with an impedance of 20kΩ. The soft clip circuit limits the output voltage at ARO1 to 0.4V<sub>p</sub>. The attack time is 30μs/6dB and the decay time is 20ms/6dB.

The gain of the M3/M4 → ARO1 is set to 29dB. The input is differential with an impedance of 10kΩ. The soft clip circuit limits the output voltage at ARO1 to 0.4V<sub>p</sub>. The attack time is 30μs/6dB and the decay time is 20ms/6dB.

### Receive path

The gain of the LS → ROH1 receive path is set to 3dB. The receive input is the differential signal of RI and STB. The soft clip circuit limits the output voltage at ROH1 to 0.7V<sub>p</sub>. It prevents harsh distortion and acoustic shock. There is volume control and LLC for this path.

The gain of the LS → ROH2 receive path is set to 9dB. The receive input is the differential signal of RI and STB. The soft clip circuit limits the output voltage at ROH2 to 1.4V<sub>p</sub>. It prevents harsh distortion and acoustic shock. There is volume control and LLC for this path.

The gain of the LS → ARO1 receive path is set to 3dB. The receive input is the differential signal of RI and STB. There is no softclipping, no LLC and no volume control for this path.

### Rx volume control

The volume control is available for LS → ROH1 and LS → ROH2. It can be decreased by 6dB and increased by 8dB in 2dB steps from the default levels as described in the last paragraph. It remains in the pre-set position as long as VDD does not decrease less than 2.2V

### Line Loss Compensation

The line loss compensation is a pin option. When it is activated, the transmit and receive gains for both I/O's are decreased by 6dB at line currents from 20mA to 50mA when the LLC-pin is connected to AGND and from 45mA to 75mA when the LLC-pin is connected to VDD. The line loss compensation is deactivated when LLC-pin is connected to VSS.

### Digital interface

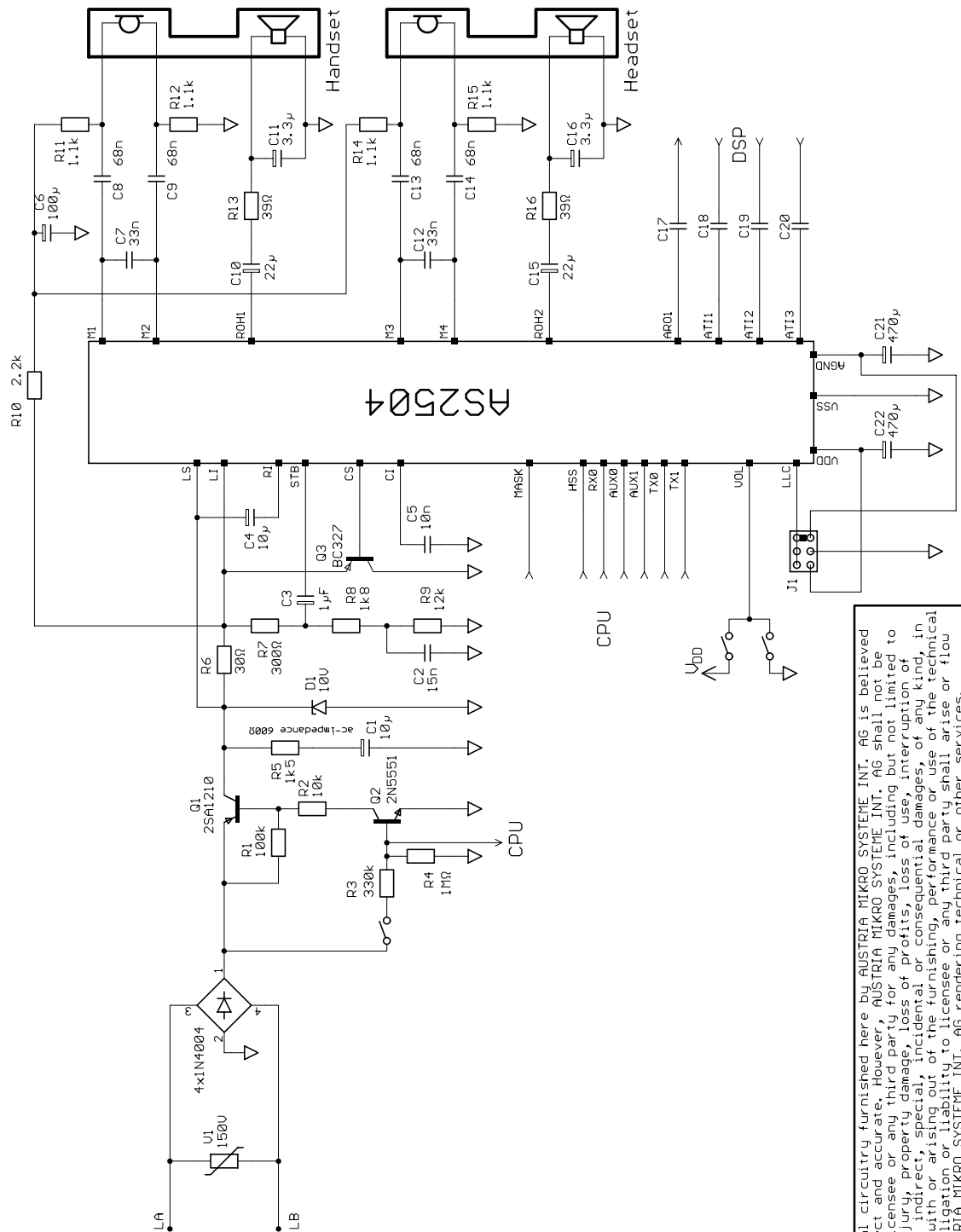
The selection of the available signal paths must be set via the digital control pins. The following modes are possible:

HSS: bit ①	RX0: bit ②	
0	0	LS → ROH1
1	0	LS → ROH2
0	1	ATI3 → ROH1
1	1	ATI3 → ROH2

AUX0: bit ③	AUX1: bit ④	HSS: bit ①	
1	1	X	MUTE
0	1	0	M1/M2 → ARO1
0	1	1	M3/M4 → ARO1
1	0	X	LS → ARO1
0	0	X	MUTE

TX0: bit ⑤	TX1: bit ⑥	HSS: bit ①	
0	0	0	M1/M2 → LS
0	0	1	M3/M4 → LS
0	1	X	ATI1 → LS
1	0	X	ATI2 → LS
1	1	X	MUTE

**Typical Application**



The external circuitry furnished here by AUSTRIA MIKRO SYSTEME INT. AG is believed to be correct and accurate. However, AUSTRIA MIKRO SYSTEME INT. AG shall not be liable to licensee or any third party for any damages, including but not limited to personal injury, property damage, loss of profits, loss of use, interruption of business or indirect, special, incidental or consequential damages, of any kind, in connection with or arising out of the furnishing, performance or use of the technical data. No obligation or liability to licensee or any third party shall arise or flow out of AUSTRIA MIKRO SYSTEME INT. AG rendering technical or other services.

## **Electrical characteristics**

Electrical characteristics are measured with the Test Circuit application. Typical mean values will not be tested.

### **Absolute maximum ratings**

Positive Supply Voltage	$-0.3V \leq V_{DD} \leq 7V$
Input Current	$\pm 25mA$
Input Voltage (LS)	$-0.3V \leq V_{in} \leq 12V$
Input Voltage (LI, CS)	$-0.3V \leq V_{in} \leq 8V$
Input Voltage (STB, RI)	$-2V \leq V_{in} \leq V_{DD}+0.3V$
Digital Input Voltage	$-0.3V \leq V_{in} \leq V_{DD}+0.3V$
Electrostatic Discharge (HBM 1.5k $\Omega$ -100pF)	$\pm 1000V$
Storage Temperature	$-65^{\circ}C$ to $+125^{\circ}C$

### **Recommended operating conditions**

Supply Voltage (generated internally)	$4V \leq V_{DD} \leq 5V$
Operating Temperature	$-25^{\circ}C$ to $+70^{\circ}C$

### **DC characteristics**

$I_{Line}=15mA$  w/o operation of any additional external circuitry, unless other specified

Symbol	Parameter	Conditions	Min	Typ	Max	Units
$I_{DD}$	Operating Current	Speech Mode MASK=H, $V_{DD}=2.5V$		3 300	5	mA $\mu A$
$V_{LI}$	Line Voltage	$15mA \leq I_{LINE} \leq 100mA$	4.2	4.5	4.8	V
$I_{OL}$	Output Current, Sink CS	$V_{OL}=0.4V$		1		mA
$V_{IL}$	Digital Input Voltage LOW	Pins HSS,RX0,TX0, TX1,AUX0,AUX1	$V_{SS}$		$0.2 V_{DD}$	V
$V_{IH}$	Digital Input Voltage HIGH	Pins HSS,RX0,TX0, TX1,AUX0,AUX1	$0.8 V_{DD}$		$V_{DD}$	V

**Transmit characteristics**V<sub>I</sub>Line=15mA f=800Hz, unless other specified

Symbol	Parameter	Conditions	Min	Typ	Max	Units
AM1/2TX	Transmit Gain M1/M2 → LS	Z <sub>AC(syn)</sub> =1000Ω	+36.0	+37.5	+39.0	dB
AM3/4TX	Transmit Gain M3/M4 → LS	Z <sub>AC(syn)</sub> =1000Ω	+42.0	+43.5	+45.0	dB
AAT1X	Transmit Gain AT11 → LS	Z <sub>AC(syn)</sub> =1000Ω	+5.0	+6.5	+8.0	dB
AAT2X	Transmit Gain AT12 → LS	Z <sub>AC(syn)</sub> =1000Ω	+19.0	+20.5	+22.0	dB
ΔATX	Variation with frequency	f = 500Hz ... 3.4kHz		±0.8		dB
THD	Distortion	V <sub>LS</sub> =0.25V <sub>RMS</sub>			2	%
VUFC	Unwanted Freq. Comp.	f = 200Hz ... 20kHz			-60	dBm
VAGC1	Soft Clip Level M1/M2 → LS at LS			2.0		V <sub>P</sub>
VAGC2	Soft Clip Level M3/M4 → LS at LS			2.0		V <sub>P</sub>
ASCO	Soft Clip Overdrive M1/M2 - M3/M4			20		dB
t <sub>attack</sub> t <sub>decay</sub>	Attack time Decay time			30 20		μs/6dB ms/6dB
Z <sub>IN-M1/2</sub>	Input Impedance M1/M2			20		kΩ
Z <sub>IN-M3/4</sub>	Input Impedance M3/M4			10		kΩ
Z <sub>IN-AT11</sub>	Input Impedance AT11			25		kΩ
Z <sub>IN-AT12</sub>	Input Impedance AT12			100		kΩ
AMUTE	Mute Attenuation M1/2 - M3/4		60			dB
V <sub>INmax</sub>	Input Voltage Range M1/2 - M3/4	differential		±1		V <sub>p</sub>
V <sub>NO</sub>	Noise Output Voltage LS	T <sub>AMP</sub> =25°C			-71	dBm <sub>p</sub>
RL ΔZ <sub>AC</sub> /°C	Return Loss Temp. Variation	Z <sub>AC(syn)</sub> =1000Ω	18	0.5		dB Ω/°C



**Intercom characteristics**I<sub>Line</sub>=15mA f=800Hz, unless other specified

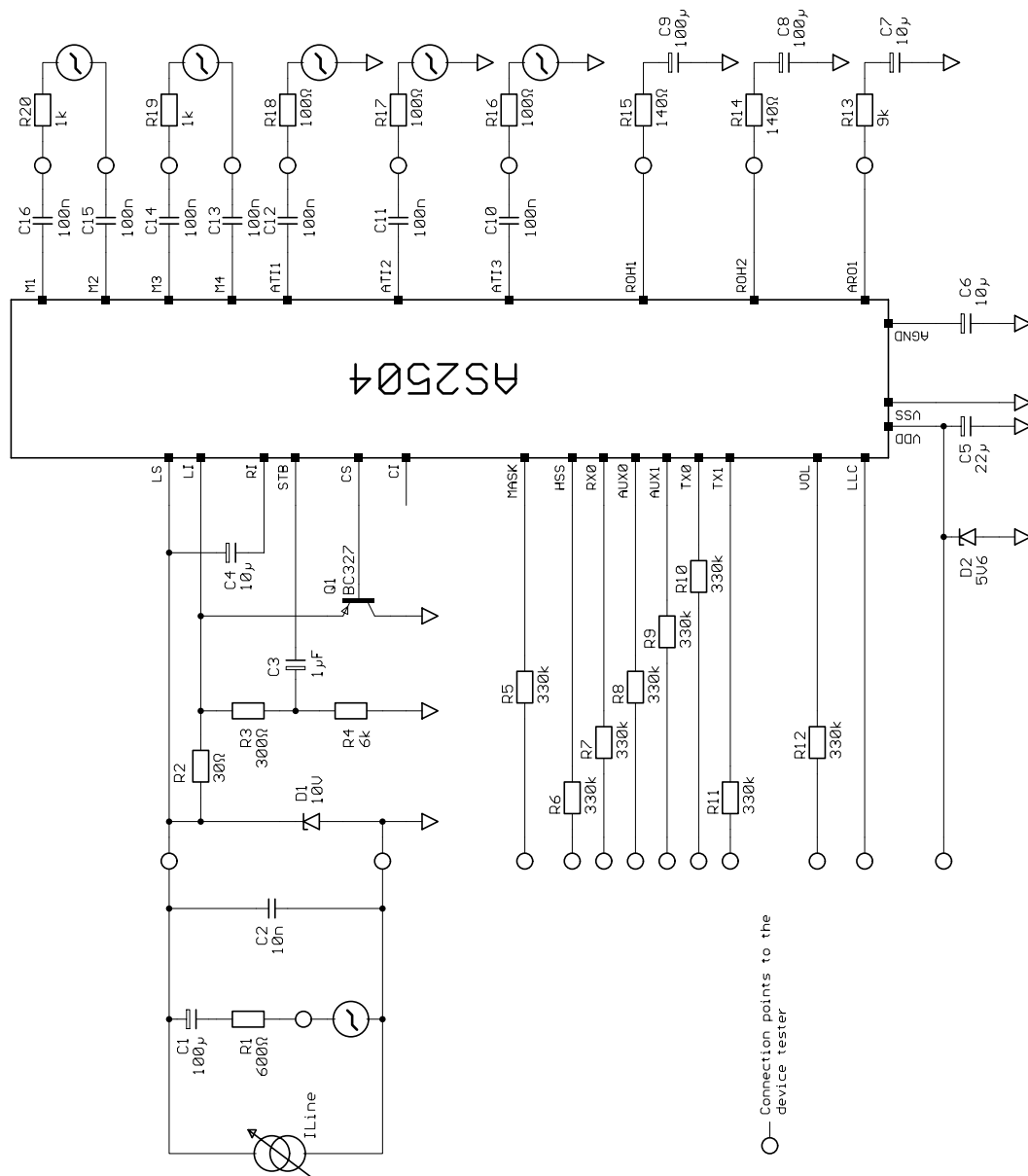
Symbol	Parameter	Conditions	Min	Typ	Max	Units
AM1/2IX	Intercom Gain M1/M2 → ARO1		+21.5	+23.0	+24.5	dB
AM3/4IX	Intercom Gain M3/M4 → ARO1		+27.2	+28.7	+30.2	dB
AAT3IX	Intercom Gain ATI3 → ROH1		+4.5	+6.0	+7.5	dB
AAT4IX	Intercom Gain ATI3 → ROH2		+10.5	+12.0	+13.5	dB
ZIN-ATI3	Input Impedance ATI3			100		kΩ

**Receive characteristics**I<sub>Line</sub>=15mA f=800Hz, unless other specified

Symbol	Parameter	Conditions	Min	Typ	Max	Units
AHRX	Receive Gain LS → ROH1	Z <sub>AC(syn)</sub> =1000Ω	+1.0	+2.5	+4.0	dB
AAR1X	Receive Gain LS → ROH2	Z <sub>AC(syn)</sub> =1000Ω	+7.0	+8.5	+10.0	dB
AAR1X	Receive Gain LS → ARO1	Z <sub>AC(syn)</sub> =1000Ω	+0.7	+2.2	+3.7	dB
ΔARX	Variation with frequency	f=500Hz to 3.4kHz		±0.8		dB
AVOL	Volume control range			-6/+8		dBr
THD	Distortion ROH1-ROH2	V <sub>LS</sub> =0.25V <sub>RMS</sub>			2	%
THD	Distortion ARO1	V <sub>LS</sub> =0.25V <sub>RMS</sub>			3	%
VUFC	Unwanted Freq. Comp.	f = 200 ... 20kHz			-60	dBm
VAGC	Soft Clip Level ROH1			0.7		V <sub>P</sub>
VAGC	Soft Clip Level ROH2			1.4		V <sub>P</sub>
ASCO	Soft Clip Overdrive ROH1/2			10		dB
t <sub>attack</sub> t <sub>decay</sub>	Attack time Decay time			30 20		μs/6dB ms/6dB
VNO	Noise Output Voltage ROH1/2 - ARO1	T <sub>AMP</sub> =25°C			-71	dBmp
ZIN-RI VINmax	Input Imp. RI Input Voltage Range RI			8 ±2		kΩ V <sub>p</sub>

Symbol	Parameter	Conditions	Min	Typ	Max	Units
ZIN-STB VINmax	Input Imp. STB Input Volt. Range STB			80 ±2		kΩ Vp
ST	Sidetone	VRI<=0.25VRMS	24			dB
RL ΔZAC/°C	Return Loss Temp. Variation	ZAC(syn)=1000Ω	18	0.5		dB Ω/°C

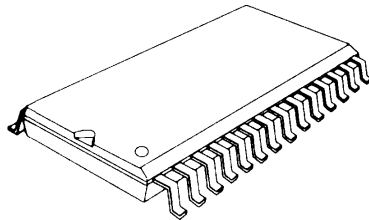
**Test circuit**



## **Packaging**

The device is available in the packages outlined below (not to scale). For exact mechanical package dimensions please see AMS<sub>AG</sub> packaging information.

28-pin plastic SOIC (suffix T)

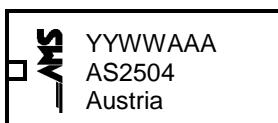


Max. Body Length	18.1mm / 713mil
Max. Body Width	7.6mm / 300mil
Pitch	1.27mm / 50mil

## **Pin-out**

1 - M2	M3 - 28
2 - M1	M4 - 27
3 - CS	LLC - 26
4 - VSS	MASK - 25
5 - LI	ATI1 - 24
6 - RI	ATI2 - 23
7 - LS	HSS - 22
8 - ROH1	RX0 - 21
9 - ROH2	TX0 - 20
10 - ARO1	TX1 - 19
11 - VDD	AUX0 - 18
12 - AGND	AUX1 - 17
13 - STB	VOL - 16
14 - CI	ATI3 - 15

## **Marking**



YY	year of production
WW	calendar week of production
AAA	AMS <sub>AG</sub> assembly ID

## Ordering information

Number	Package	Description
AS2504 T	SO28	plastic small outline package - 28 leads (suffix T)

Devices sold by Austria Mikro Systeme Int. AG are covered by the warranty and patent indemnification provisions appearing in its Term of Sale. Austria Mikro Systeme Int. AG makes no warranty, express, statutory, implied, or by description regarding the information set forth herein or regarding the freedom of the described devices from patent infringement. Austria Mikro Systeme Int. AG reserves the right to change specifications and prices at any time and without notice. Therefore, prior to designing this product into a system, it is necessary to check with Austria Mikro Systeme Int. AG for current information. This product is intended for use in normal commercial applications. Applications requiring extended temperature range, unusual environmental requirements, or high reliability applications, such as military, medical life-support or life-sustaining equipment are specifically not recommended without additional processing by Austria Mikro Systeme Int. AG for each application.

Copyright © 1997-98, Austria Mikro Systeme International Int. AG, Schloss Premstaetten, 8141 Unterpremstaetten, Austria-Europe. Trademarks Registered ®. All rights reserved. The material herein may not be reproduced, adapted, merged, translated, stored, or used without the prior written consent of the copyright owner.

The information furnished here by Austria Mikro Systeme Int. AG is believed to be correct and accurate. However, Austria Mikro Systeme Int. AG shall not be liable to recipient or any third party for any damages, including but not limited to personal injury, property damage, loss of profits, loss of use, interruption of business or indirect, special, incidental or consequential damages, of any kind, in connection with or arising out of the furnishing, performance or use of the technical data herein. No obligation or liability to recipient or any third party shall arise or flow out of Austria Mikro Systeme Int. AG rendering of technical or other services.

## Headquarters

### **Austria Mikro Systeme International Int. AG**

Schloß Premstätten  
8141 Unterpremstätten, Austria-Europe  
Tel: +43 (0)3136 500-0  
Fax: +43 (0)3136 52501, 53650  
email: [info@vertical-global.com](mailto:info@vertical-global.com)  
<http://www.vertical-global.com>

### **France**

124 Avenue de Paris  
F-94300 Vincennes  
Tel: +33 (0)1 4374 0090  
Fax: +33 (0)1 4374 2098

### **Italy**

Piazzale Lugano 9  
I-20158 Milano  
Tel: +39 02 3932 1022  
Fax: +39 02 3932 3087

### **USA**

Suite 460  
20863 Stevens Creek Blvd.  
Cupertino, CA 95014  
Tel: +1 408 865 1217  
Fax: +1 408 865 1219

### **Germany (south)**

Stefan-George-Ring 19  
D-81929 München  
Tel: +49 (0)89 993 558-0  
Fax: +49 (0)89 993 558-66

### **Spain**

Parc Tecnològic del Vallès  
E-08290 Cerdanyola/Barcelona  
Tel: +34 (0)93 582 4470  
Fax: +34 (0)93 582 4471

### **Germany (nord)**

Am Seestern 8  
D-40547 Düsseldorf  
Tel: +49 (0)211 536 02-0  
Fax: +49 (0)211 536 02-50

### **Sweden (Scandinavia)**

Sjöängsvägen 7  
S-19272 Sollentuna  
Stockholm  
Tel: +46 (0)8 7549 395  
Fax: +46 (0)8 7544 544

### **Hong Kong**

21/F., 1 Des Voeux Road West  
Sheung Wan, Hong Kong  
Tel: +852 2524 2738  
Fax: +852 2868 4155

### **United Kingdom**

Coliseum Business Centre  
Watchmoor Park  
Camberley, Surrey  
England GU15 3YL  
Tel: +44 (0)1276 233 99  
Fax: +44 (0)1276 293 53

Austria Mikro Systeme Int. AG is represented by distributors in the following countries. Please contact your nearest regional sales office for the distributor's address:

China, India, Japan, Korea, Singapore, Taiwan

## Application support

Please contact your local sales office or your distributor