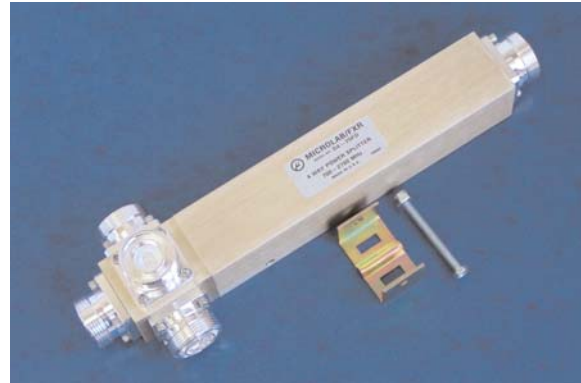


- ◆ Multiple-Band Frequency Ranges  
Tetra, Cellular, UMTS and WLAN
- ◆ 700 Watt Average Power Rating
- ◆ Minimal RF Insertion Loss
- ◆ High Reliability
- ◆ 7-16 mm DIN female Connectors
- ◆ Low Cost Design for ease  
of mounting to pole or wall



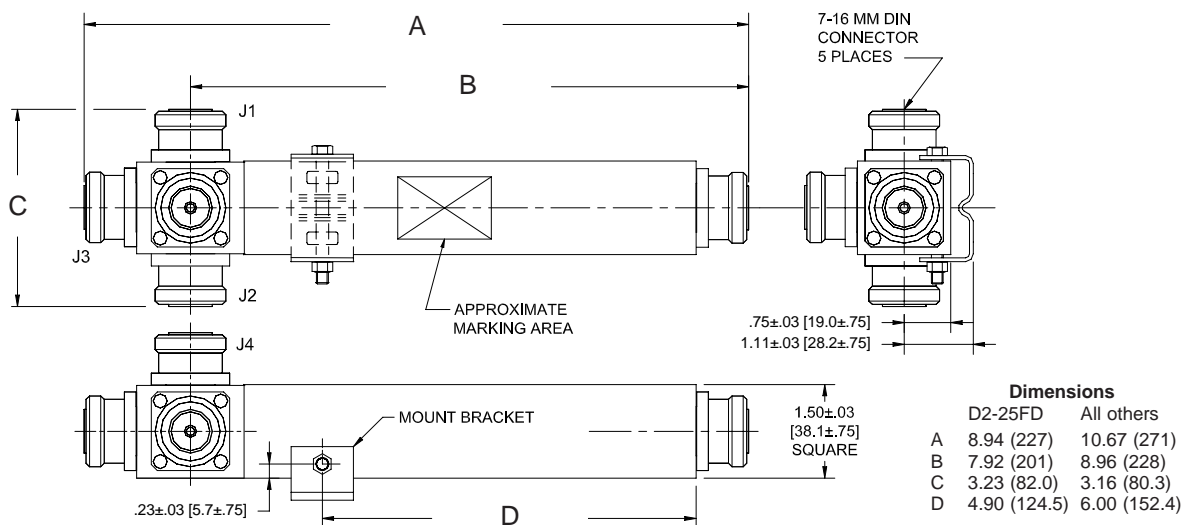
Microlab Model Dx-21/25FD series of Power Splitters has been designed to evenly split high power cellular signals with minimal reflections or loss. All joints are moisture sealed to meet the IP65 rating. The wide frequency range allows use with multiband antennas and leaky cable systems.

With few solder joints and air dielectric, the loss has been minimized and reliability enhanced. Similar splitters with N connectors are available as Dx-51/55FN series. (01/09)

Impedance:	50Ω nominal
PIM, Passive Intermod:	<-150 dBc max. (with 2 +43 dBm tones)
Environment:	IP65, -35° to +75°C
Finish: Connectors:	Triplate
Housing:	Passivated aluminum*
Mounting Bracket:	Supplied
*Note: D2-25FD supplied painted	

Model Number	No. of Ways	Frequency Band, MHz	Split Loss	Insertion Loss	Amplitude Balance, typ.	Input VSWR	Power Rating Avg	Power Rating Peak	Weight, nom. lbs. (kg)
D2-21FD	2	380 - 2200	3 dB	<0.05 dB	0.15 dB	<1.25:1	500W	3 kW	2.5 (1.1)
D2-25FD	2	700 - 2700	3 dB	<0.05 dB	0.15 dB	<1.20:1	700W	3 kW	2.5 (1.1)
D3-21FD	3	380 - 2200	4.8 dB	<0.05 dB	0.40 dB	<1.25:1	500W	3 kW	2.7 (1.2)
D3-25FD	3	700 - 2700	4.8 dB	<0.05 dB	0.25 dB	<1.15:1	700W	3 kW	2.7 (1.2)
D4-25FD	4	700 - 2700	6 dB	<0.05 dB	0.15 dB	<1.15:1	700W	3 kW	2.9 (1.3)

Note: These series of splitters are being replaced by Dx-85FD and Dx-88FD



**Dimension Tolerance Note:** All dimensions are ±0.60 inches unless otherwise noted. Dimensions in mm are for reference only.