



ELECTRONICS, INC.
 44 FARRAND STREET
 BLOOMFIELD, NJ 07003
 (973) 748-5089
<http://www.nteinc.com>

NTE448 Series Hardware Heat Sink for DIP Type Package

Features:

- Available in 3 Different Types:
 - NTE448B: For 14/16-Lead DIP
 - NTE448E: For 24-Lead DIP
 - NTE448G: For 40-Lead DIP

Description:

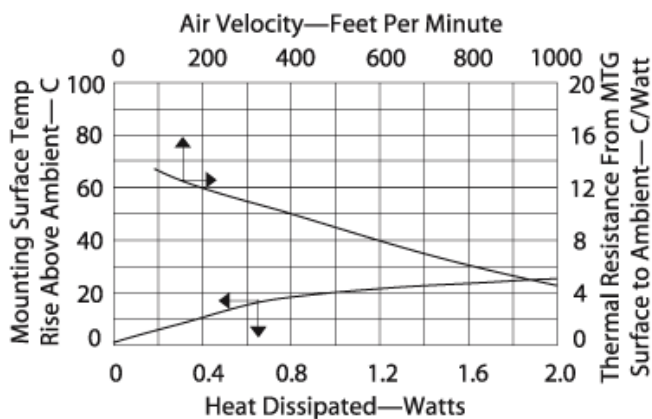
The NTE448 Series heat sinks are designed with staggered fins to help maximize the forced convection thermal performance (except NTE448B). Just slide the heat sink on your DIP type ICs and a locking catch prevents the DIPs from being dislodged.

Specifications:

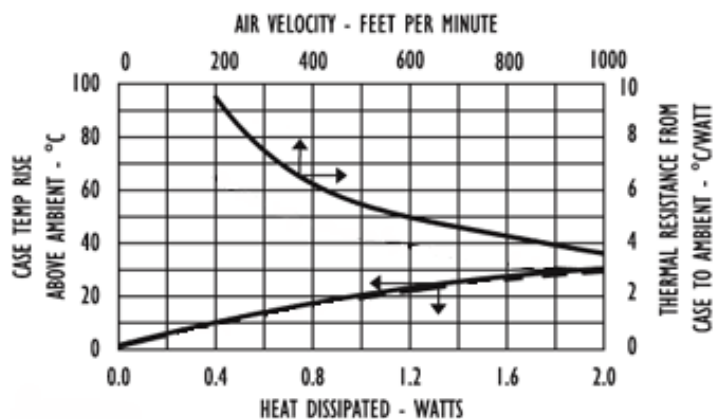
Finish Black Anodize
 Material Aluminum Alloy
 Thermal Resistance (Note 1) 20.00

Note 1. Thermal resistance value is based on a +75°C rise in natural convection.

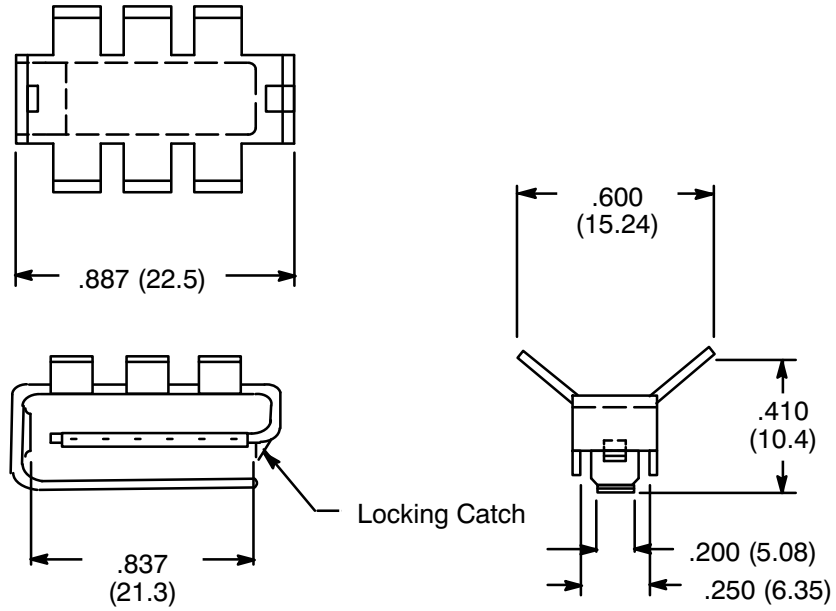
NTE448B



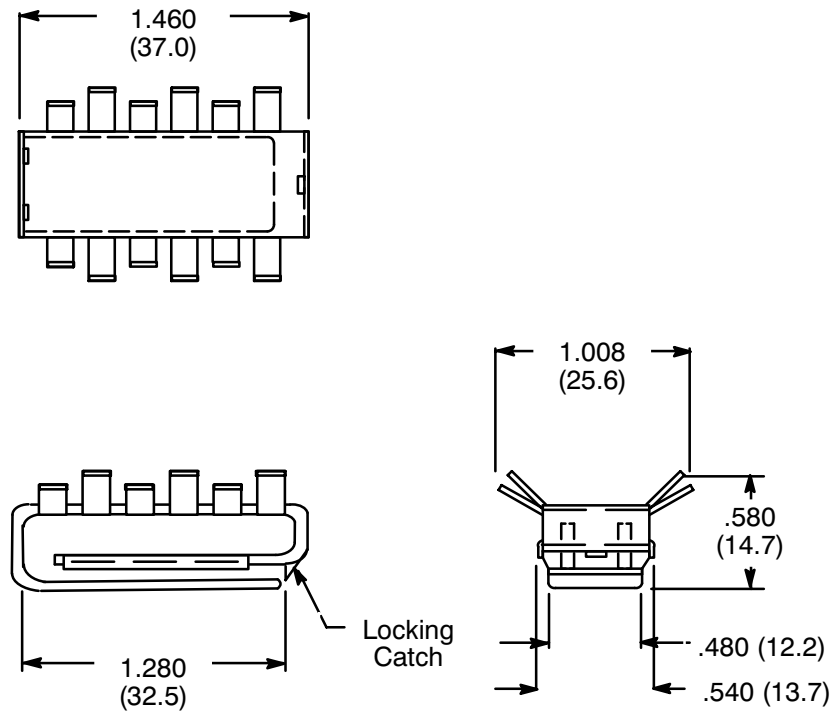
NTE448E



NTE448B



NTE448E



NTE448G

