



Technical Reference Note
APA18T12 DC - DC Series
Preliminary



APA18T12 SERIES

THIS TECHNICAL REFERENCE NOTES COVERS THE SPECIFICATIONS FOR A SINGLE OUTPUT, OPEN-FRAME, NON-ISOLATED DC-DC CONVERTER WITH ADJUSTABLE OUTPUT FROM 0.75V TO 5.5V HAVING 75W MAXIMUM OUTPUT POWER WHEN OPERATED FROM A NOMINAL 12 VDC SOURCE.

MODEL NUMBER	SIS CODE	Vin range	Vout/Iout	MODEL ID NO
APA18T12-9	APA18T12-9	10V – 14V	0.75 – 5.50V/ 18A*	C595
APA18T12-9H	APA18T12-9H	10V – 14V	0.75 – 5.50V/ 18A*	C596

*Options:

Suffix	Option
-9	Vo Trim, Vertical Mounting Pin
-9H	Vo Trim, Horizontal Mounting Pin

Note: * - 18A maximum output current with total power limited to 75W. Factory default output voltage set to 0.75V.



Technical Reference Note
APA18T12 DC - DC Series
Preliminary



Electrical Specifications

The product shall comply with the requirements of this specification for all valid conditions of line input voltage, load current, temperature and other environmental conditions, unless otherwise specified in this document.

Description	
External Input Fuse ^{1,2}	Fast-acting 20A maximum
External Input Capacitance	22uF/16V*3 Ceramic Cap.
External Output Capacitance	10uF Tantalum Cap. +1uF Ceramic Cap.
+V _{IN}	+10Vdc to 14Vdc
Enable	Open
GND	Return for both V _{IN} and V _O
Trim	Resistor Programming [See App A6]
+Vout	Output Pin connected to Load
Airflow ³	200LFM/300LFM
T _A (Ambient Temperature)	-40°C to 85°C

- NOTE: 1. Refer to Appendix A4 for typical application circuit.
2. The converter is not internally fused; Engineering needs to specify a fuse appropriate to the package size of the converter.
3. Refer to Appendix A1 for correct airflow and module orientation & Appendix B for the derating curves of different airflow.



Technical Reference Note
APA18T12 DC - DC Series
Preliminary



ABSOLUTE MAXIMUM RATINGS

Stresses in excess of the absolute maximum ratings can cause permanent damage to the device. Functional operation of the device is not implied at these or any other conditions in excess of those given in the operational sections of this specification. Exposure to absolute maximum ratings for extended periods can adversely affect device reliability. The converter shall be designed, labeled and safety approved for maximum continuous rating as follows:

Parameter	Device	Symbol	Min	Typ	Max	Unit
Input Voltage	All	V_{IN}	-0.3	-	15	Vdc
Continuous			-	-	18	
Transient (100ms)		$V_{IN,trans}$				
Operating Temperature	All	T_a	-40	-	85	°C
Storage Temperature	All	T_{STG}	-55	-	125	°C
Operating Humidity	All	-	10	-	85	%
Max Voltage at Enable Pin	All		-	-	14	Vdc
Max Output Power	All		-	-	75	W

INPUT SPECIFICATIONS

Parameter	Device	Symbol	Min	Typ	Max	Unit
Operating Input Voltage Range	All	V_{IN}	10.0	12.0	14.0	Vdc
Input Under-Voltage Lock-out	All		8.7	-	9.7	Vdc
T_{ON} Threshold			7.9	-	8.7	
T_{OFF} Threshold						
Input Current	5.50V	I_{IN-MAX}	-		10.0	A
($V_{IN} = V_{IN,Min}$; $I_O = I_{O,Max}$)	0.75V		-		2.0	
Max P_{diss} @ $I_O = 0A$	5.50V		-	-	5.5	W
($V_{IN} = V_{IN,Nom}$)	0.75V		-	-	5.0	
Input Ripple Current ¹	All	I_{II}	-	-	300	mAp-p
5Hz to 20MHz						
Input Voltage Rise Time	All		NA	-	-	V/ms
10% to 90% of V_{out}						
Inrush Current	All		NA	-	-	Apk
dV_{IN}/dt						

NOTE: 1. External input capacitance required. See Input Ripple Current test measurement setup on Appendix A2.



Technical Reference Note
APA18T12 DC - DC Series
Preliminary



OUTPUT SPECIFICATIONS

Parameter	Device	Symb	Min	Typ	Max	Unit
Output Voltage Set point $V_{IN} = V_{IN, MIN}$ to $V_{IN, MAX}$; $I_O = I_{O, MAX}$		$V_{O, SET}$	0.74	0.75	0.76	Vdc
Output Regulation Line: $V_{IN} = V_{IN, min}$ to $V_{IN, max}$ Load: $I_O = I_{O, min}$ to $I_{O, max}$ Temp: $T_A = -40\text{ }^\circ\text{C}$ to $+85\text{ }^\circ\text{C}$	All 0.75V $0.75 < V_O < 3.3V$ $3.3V \leq V_O$ All	- - - -	- - - -	- - - -	0.5 7.0 15.0 25.0 1.0	% mV mV mV %
Ripple and Noise ² Peak-to-Peak: (5Hz to 20MHz)	$0.75 \leq V_O < 5.0V$ $5V \leq V_O$	- -	- -	45 55	60 75	mVp-p mVp-p
Output Current and output power ³	$0.75 \leq V_O < 4.16V$ $4.16V \leq V_O$	I_O P_O	0 0	- -	18 75	A W
External Load Capacitance Capacitor ESR	All	-	- 10	- -	5000 -	μF m Ω
Output Current-limit Inception $V_{OUT} = 90\% V_{O, SET}$ ^{4,9,10}	$1.5V \leq V_O$	I_O	18.5	-	-	A
Over Temperature Range ⁶ (AVG. PCB TEMP)	All	-	100	110	125	$^\circ\text{C}$
Efficiency $V_{IN} = V_{IN-NOM}$ $I_O = I_{O, MAX}$; $T_A = 25\text{ }^\circ\text{C}$	0.75V 1.20V 1.50V 1.80V 2.50V 3.30V 5.00V	η η η η η η η	73.6 81.0 83.8 85.5 88.0 90.3 92.6	74.8 82.0 84.5 86.5 89.0 92.4 93.5		% % % % % % %
Turn-On Response Time ⁵ $V_{IN} = V_{IN-MIN}$ to V_{IN-MAX}	All	-	2.0	-	6.0	ms
Enable to Output Turn-ON Delay $V_{IN} = V_{IN-MIN}$ to V_{IN-MAX} $I_O = I_{O, MIN}$ to $I_{O, MAX}$	All	-	-	-	20.0	ms
+ V_{IN} to Output Turn-On Delay Enable Pin: Active $V_{IN} = V_{IN-MIN}$ to V_{IN-MAX} $I_O = I_{O, MIN}$ to $I_{O, MAX}$	All	-	-	-	20.0	ms
Switching Frequency	All	-	270	300	330	KHz
Output Overshoot at T-on / T-off Passive Resistive Full Load	All	-	-	-	5	% V_O

Model: APA18T12 Series

Date: June 2004

SH 5 OF 17



Technical Reference Note
APA18T12 DC - DC Series
Preliminary



OUTPUT SPECIFICATIONS

Parameter	Device	Symbol	Min	Typ	Max	Unit
Dynamic Response ⁶ : C _O =150uF*2 Polymer Cap. (Sanyo OS-CON 6SEP150) +10uF Tantalum Cap. +1uF Ceramic Cap. $\Delta I_O/\Delta t=1.0A/\mu s$ Peak Deviation Load Change of 50% step anywhere between 10% to 100% of rated load	All	-	-	-	200	mV
Settling Time (to 0.5% V _{O, Nom})	All	-	-	-	200	μs
Output Voltage Trim Range ⁷	All		0.75	-	5.50	V
Remote Sense ⁸	All			-	0.25	V
Output Enable ON/OFF Positive Enable Enable Pin Voltage: Mod-ON Mod-OFF	All	- -	2.5 -0.7	- -	14 0.8	V V

- NOTE: 2. Refer to Appendix A3 for the Output Ripple and Noise Test Measurement Setup.
3. Output Power Derating applies at elevated temperature. See Appendix B for the Derating Curves.
4. OCP and OTP are in shutdown mode. The converter will auto restart without the need to recycle the input voltage or toggle the enable signal and once the fault is removed.
5. Measure output rise time from 10%V_O to 90%V_O. See Appendix A5.
6. Load step response shall be measured at the load side of the output capacitors. See Appendix A4 for the output and input cap requirement.
7. See appropriate Trim Equation and configuration in Appendix A6.
8. The combination of remote sense and output trim adjust can not exceed 0.25V.
9. No OCP for V_O<1.5V. Module is protected by OTP when output is overload if V_O<1.5V.
10. Under 25°C.

APPENDIX A1: CONVERTER ORIENTATION WRT TO AIRFLOW

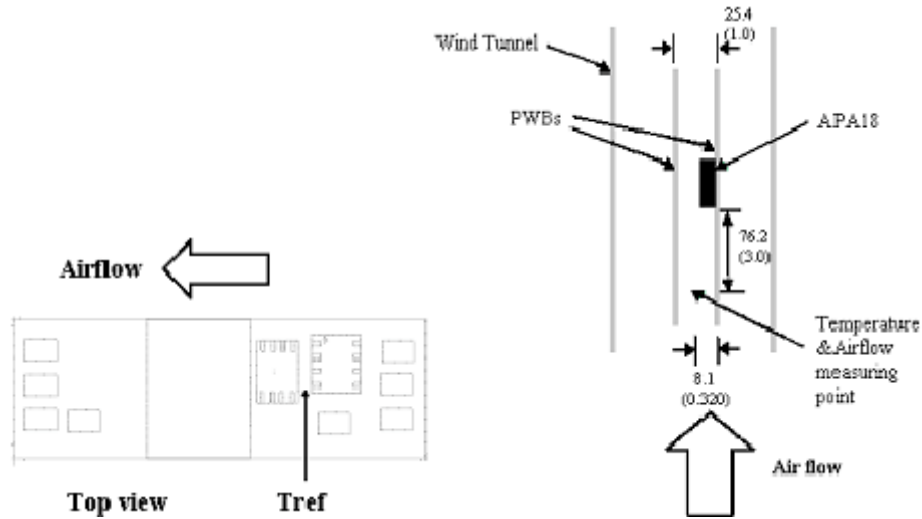
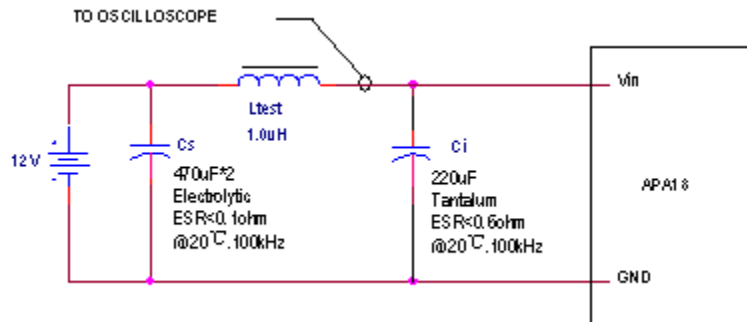


Figure 1. Airflow Orientation and Thermal Test Setup

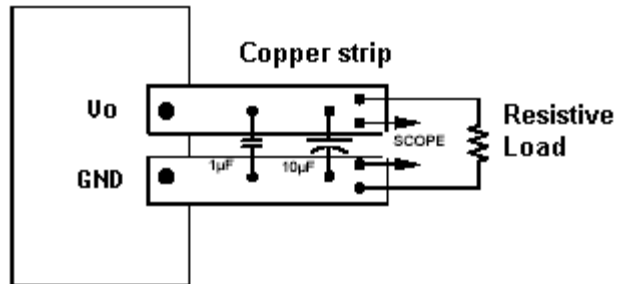
APPENDIX A2: INPUT REFLECTED RIPPLE TEST SETUP



Note: Measure input reflected-ripple current with a simulated source inductance (L_{test}) of 1uH. Capacitor C_s offsets possible battery impedance. Measure current as shown above.

Figure 2. Input Reflected-ripple current Test Setup.

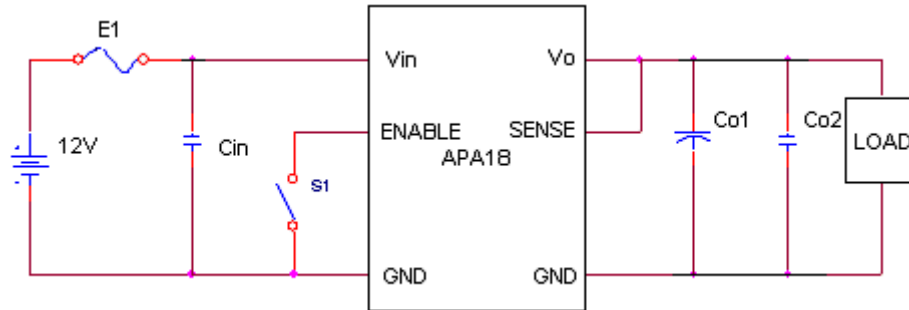
APPENDIX A3: OUTPUT RIPPLE TEST SETUP



Note: Use a 1µF@10V X7R ceramic capacitor and a 10µF @ 25V tantalum capacitor. Scope measurement should be made using a BNC socket. Position the load between 51 mm and 76 mm (2 in. and 3 in.) from module.

Figure 3. Peak-to-Peak Output Noise Measurement Test Setup.

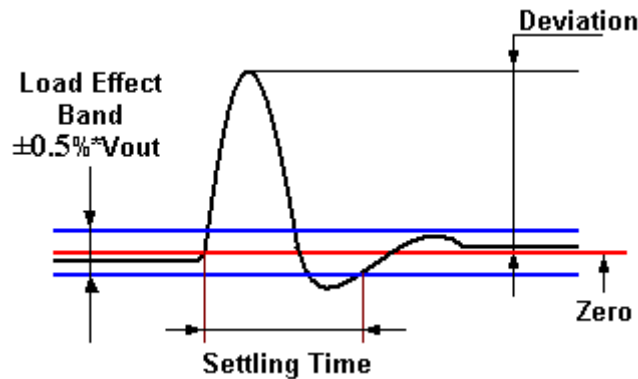
APPENDIX A4: TYPICAL APPLICATION CIRCUIT



Note:

- F1: Fuse: Use external fuse (Fast-acting type 20A) for each unit.
- Cin: Recommended 22uF/16V*3 ceramic capacitor.
- Co1: Recommended 10uF/25V Tantalum capacitor.
- Co2: Recommended 1uF/10V ceramic capacitor.

Figure 4. Typical Application Circuit



Note: When measuring dynamic deviation and settling time, 2*150uF Sanyo OS-Con 6SEP150 Polymer external output capacitors are needed.

Figure 5. Dynamic deviation and settling time



Technical Reference Note
APA18T12 DC - DC Series
Preliminary



APPENDIX A5: TIMING DIAGRAM

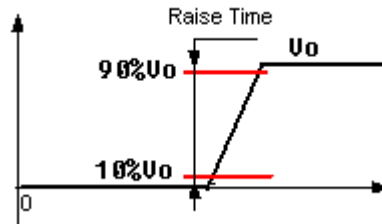


Figure 6. Timing diagram

APPENDIX A6: OUTPUT TRIM REQUIREMENT

Output voltage adjustment is accomplished by connecting an external resistor between the Trim Pin and Ground Pin terminals. Resistance and Output voltage relationship is established by Equation 1. If Trim pin is left open – default $V_o = 0.75V$

TRIM-UP EQUATION:
$$R_{trim} = \frac{10500}{V_o - 0.75} - 1000$$

Where R_{trim} is the resistance value in ohms and V_o is the output voltage desired.

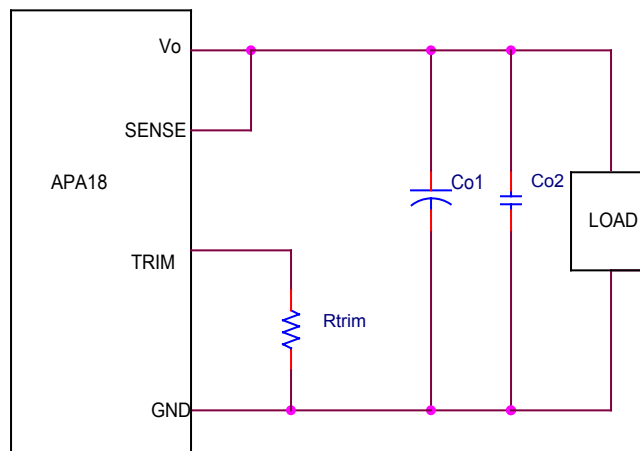


Figure 7. Trim UP test configuration (Pin Side Up)

$V_{O, set} (V)$	$R_{trim} (K.)$
0.75	Open
1.2	22.33
1.5	13.0
1.8	9.0
2.5	5.0
3.3	3.12
5.0	1.47



Technical Reference Note
APA18T12 DC - DC Series
Preliminary



APPENDIX B: THERMAL DERATING:

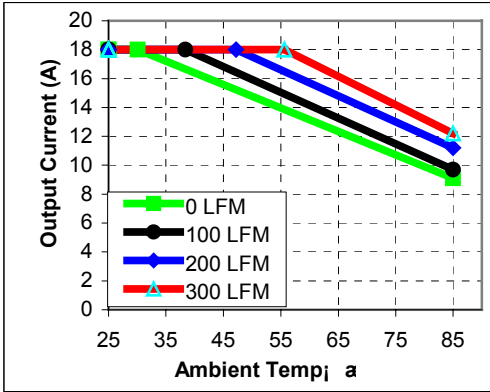


Figure 8: 0.75Vout@12Vin, Thermal Derating curve

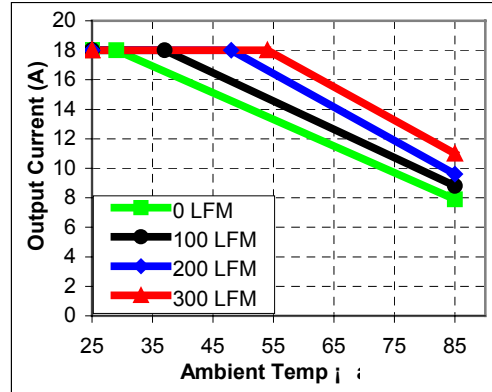


Figure 9: 1.2Vout@12Vin, Thermal Derating curve

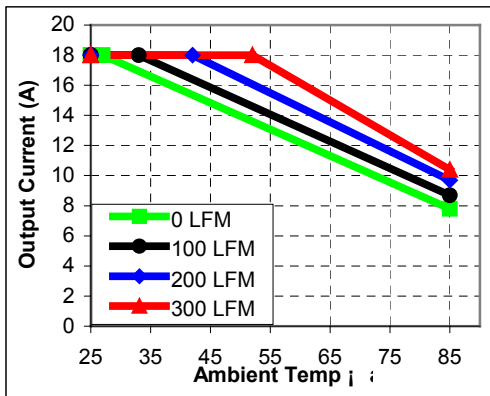


Figure 10: 1.5Vout@12Vin, Thermal Derating curve

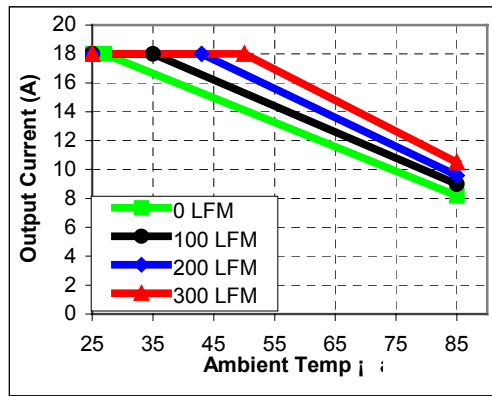


Figure 11: 1.8Vout@12Vin, Thermal Derating curve

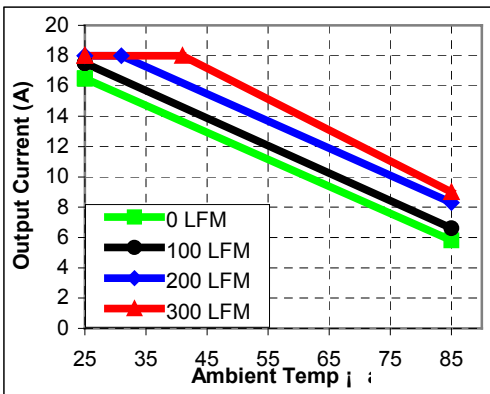


Figure 12: 2.5Vout@12Vin, Thermal Derating curve

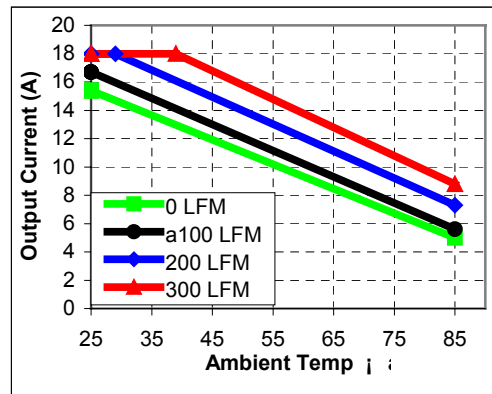


Figure 13: 3.3Vout@12Vin, Thermal Derating curve



Technical Reference Note
APA18T12 DC - DC Series
Preliminary

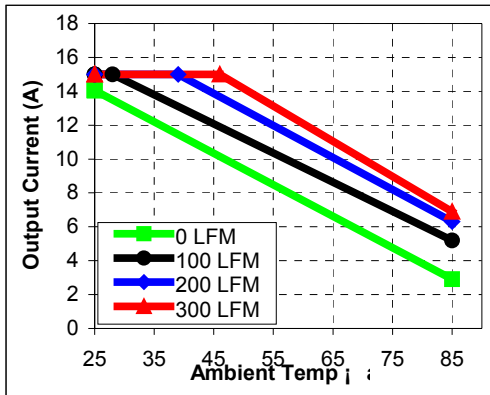


Figure 14: 5.0Vout@12Vin, Thermal Derating curve

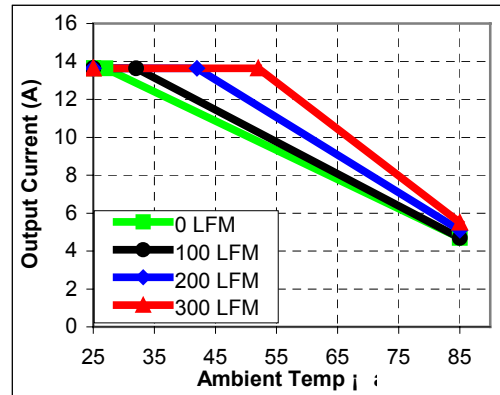


Figure 15: 5.5Vout@12Vin, Thermal Derating curve



Technical Reference Note
APA18T12 DC - DC Series
Preliminary



APPENDIX C: MODULE PIN ASSIGNMENT

PIN #	DESIGNATION	PIN #	DESIGNATION
+V _{IN}	+ Input Voltage	V _O	+Output
Enable	ON/OFF	Trim	V _O Adjust
GND	Return for V _{IN} and V _O		
Sense	+Output Sense pin		

Note: The pinout assignment of APA18T12-9 and APA18T12-9H are the same.



Technical Reference Note
APA18T12 DC - DC Series
Preliminary



APPENDIX D: MECHANICAL OUTLINE/DRAWING

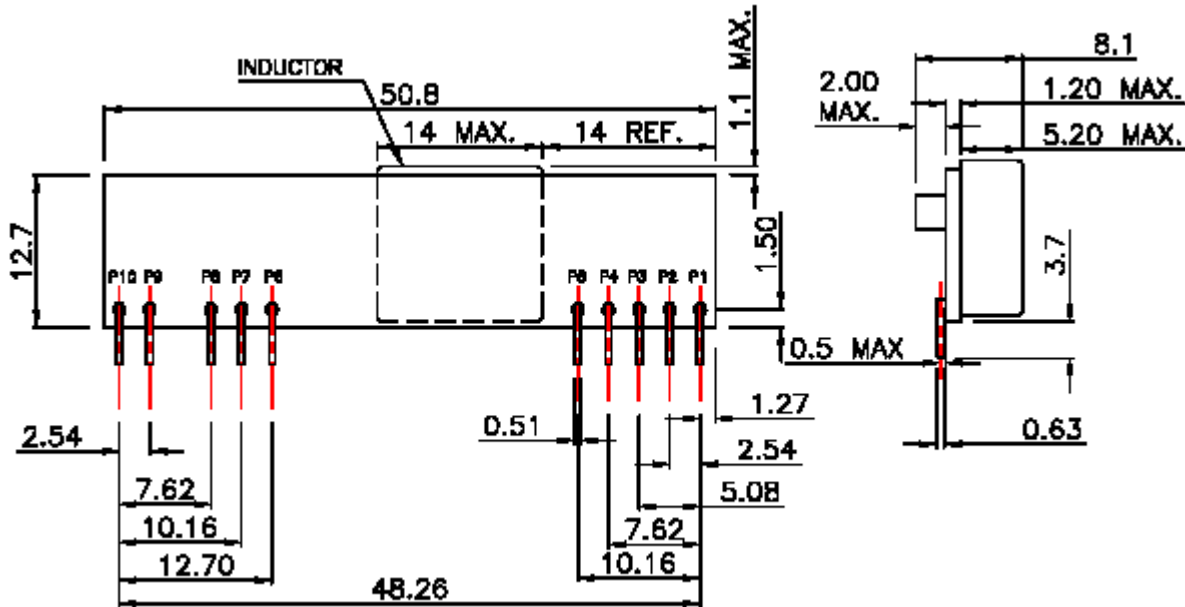


Figure 16. APA18 Mechanical Outline/ Drawing for Vertical type

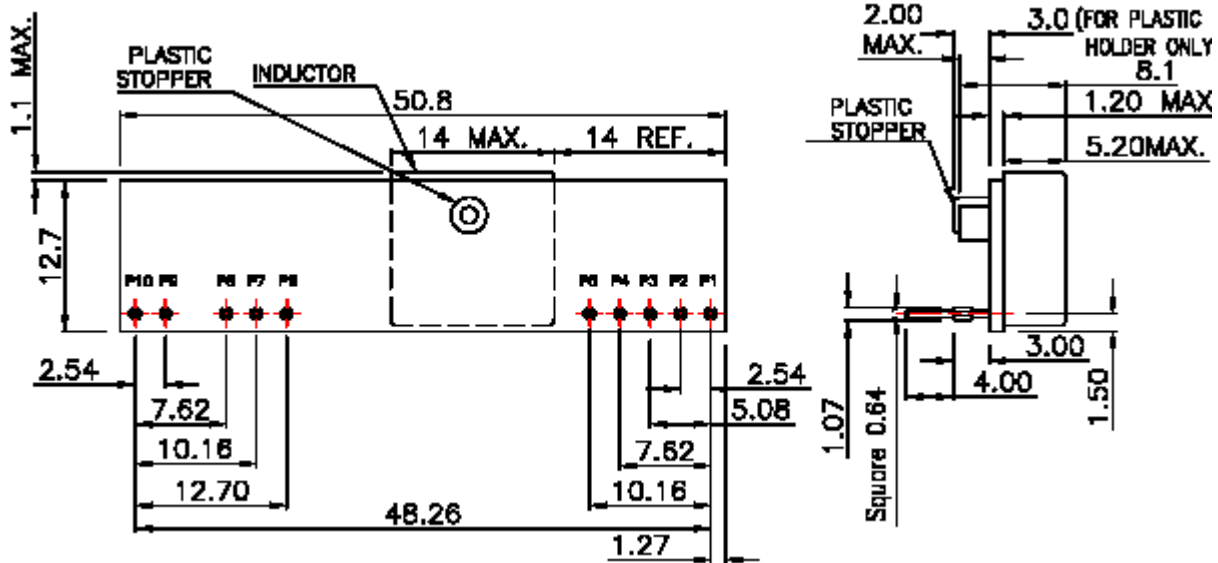


Figure 17. APA18 Mechanical Outline/ Drawing for Horizontal type

Pin Number	Pin Connection	Function
P1	Vo	Output Voltage
P2	Vo	Output Voltage
P3	SENSE	Sense
P4	Vo	Output Voltage
P5	GND	Ground
P6	GND	Ground
P7	Vin	Input Voltage
P8	Vin	Input Voltage
P9	TRIM	Output Voltage Adjustment
P10	ENABLE	Output Voltage Enable