



LinearDimensions
SEMICONDUCTOR

LND1937

36V BOOST DC/DC LED DRIVER

GENERAL DESCRIPTION

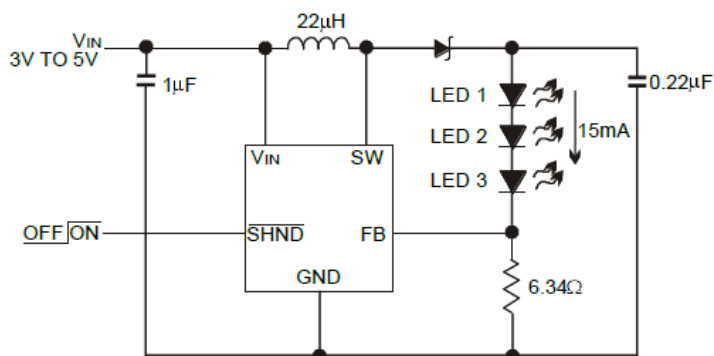
The LND1937 is a boost DC/DC LED Driver with internal 36V internal switch packaged in a space saving SOT23-5 package.

The LND1937 is all that is required to boost from supplies as low as 2.5V to a string of LEDs with a combined forward voltage of as much as 36V.

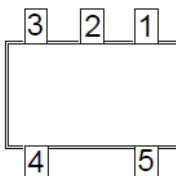
The LND1937 bipolar switch can handle up to 100mA, and switches at 1.2MHz allowing an extremely small inductor to be used. The device uses a low 95mV feedback voltage maximizing efficiency & includes a shutdown feature.

The LND1937 operates over a $T_j = -40$ to 125°C temperature range.

TYPICAL APPLICATION



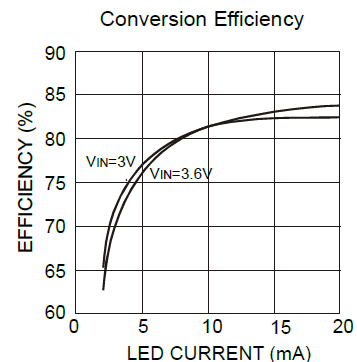
PACKAGE



FEATURES

- High Efficiency
- Low Cost
- Drives up to 36V Vf of LEDs
- Internal Bipolar Switch
- 2.5V to 10V Input
- Up to 36V Output
- 1.2MHz Switching Frequency
Minimizes Inductor Sizes

EFFICIENCY



APPLICATIONS

- Cellular Phone Backlights
- PDAs, Handheld Computers
- Digital Cameras
- MP3 Players
- GPS Receivers