



P/N: VP2109 DATA SHEET

Feature



- IEEE 802.3af/ANSI X3.263 compliant performance.
- 350mA current capability.
- Designed for IP phone or switch applications.
- Compact footprint.
- The model offer Auto MDIX capability.
- Operating temperature range :0°C to +70°C.
- Storage temperature range: -25°C to +125°C.

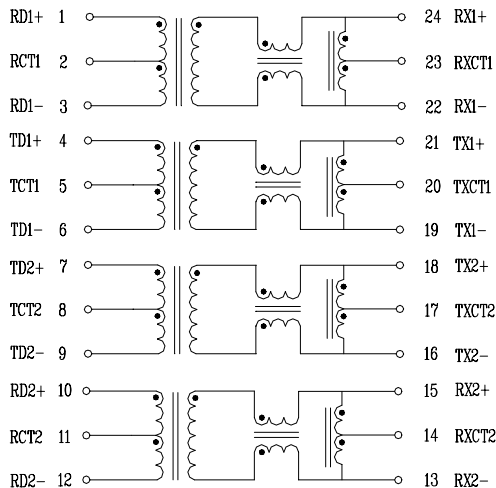
Electrical Specifications @ 25°C

Part Number	Turns Ratio (±5%)	Cross talk (dB Min)			HI-POT (Vrms)
		30MHz	60MHz	100MHz	
VP2109	1.41CT:1	-43	-37	-33	1500

Continue

Part Number	Insertion Loss (dB Max)	Return Loss (dB Min)			DCMR (dB Min)TX/RX		
		30MHz	60MHz	80MHz	30MHz	60MHz	100MHz
VP2109	-1.1	-16	-13	-10	-43	-37	-33

Schematic



Mechanical

