

Silicon NPN Power Transistors

2SC4963

DESCRIPTION

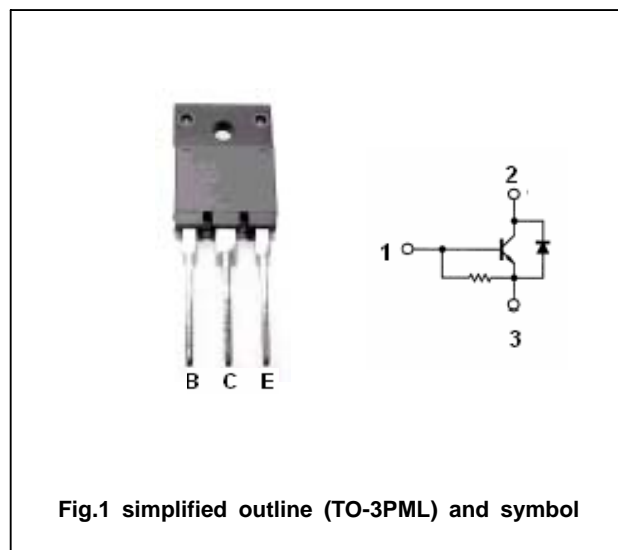
- With TO-3PML package
- High breakdown voltage
- High speed switching
- Built-in damper diode

APPLICATIONS

- Color TV horizontal deflection output
- Color display horizontal deflection output

PINNING

| PIN | DESCRIPTION |
|-----|-------------|
| 1 | Base |
| 2 | Collector |
| 3 | Emitter |

Absolute maximum ratings($T_a=25$)

| SYMBOL | PARAMETER | CONDITIONS | VALUE | UNIT |
|-----------|-----------------------------|----------------|---------|------|
| V_{CBO} | Collector-base voltage | Open emitter | 1700 | V |
| V_{CEO} | Collector-emitter voltage | Open base | 800 | V |
| V_{EBO} | Emitter-base voltage | Open collector | 5 | V |
| I_C | Collector current | | 8 | A |
| P_C | Collector power dissipation | $T_C=25$ | 50 | W |
| T_j | Junction temperature | | 150 | |
| T_{stg} | Storage temperature | | -55~150 | |

Silicon NPN Power Transistors

2SC4963

CHARACTERISTICS

T_j=25 unless otherwise specified

| SYMBOL | PARAMETER | CONDITIONS | MIN | TYP. | MAX | UNIT |
|-----------------------|--------------------------------------|---|-----|------|-----|------|
| V _{CEO(SUS)} | Collector-emitter sustaining voltage | I _C =0.1A ; I _B =0 | 800 | | | V |
| V _{CE(sat)} | Collector-emitter saturation voltage | I _C =7A ; I _B =1.4A | | | 5.0 | V |
| V _{BE(sat)} | Base-emitter saturation voltage | I _C =7A ; I _B =1.4A | | | 1.5 | V |
| I _{CBO} | Collector cut-off current | V _{CB} =800V; I _E =0 | | | 10 | μ A |
| I _{EBO} | Emitter cut-off current | V _{EB} =5V; I _C =0 | 50 | | 250 | mA |
| h _{FE-1} | DC current gain | I _C =1A ; V _{CE} =5V | 8 | | | |
| h _{FE-2} | DC current gain | I _C =7A ; V _{CE} =5V | 5 | | | |

Silicon NPN Power Transistors

2SC4963

PACKAGE OUTLINE

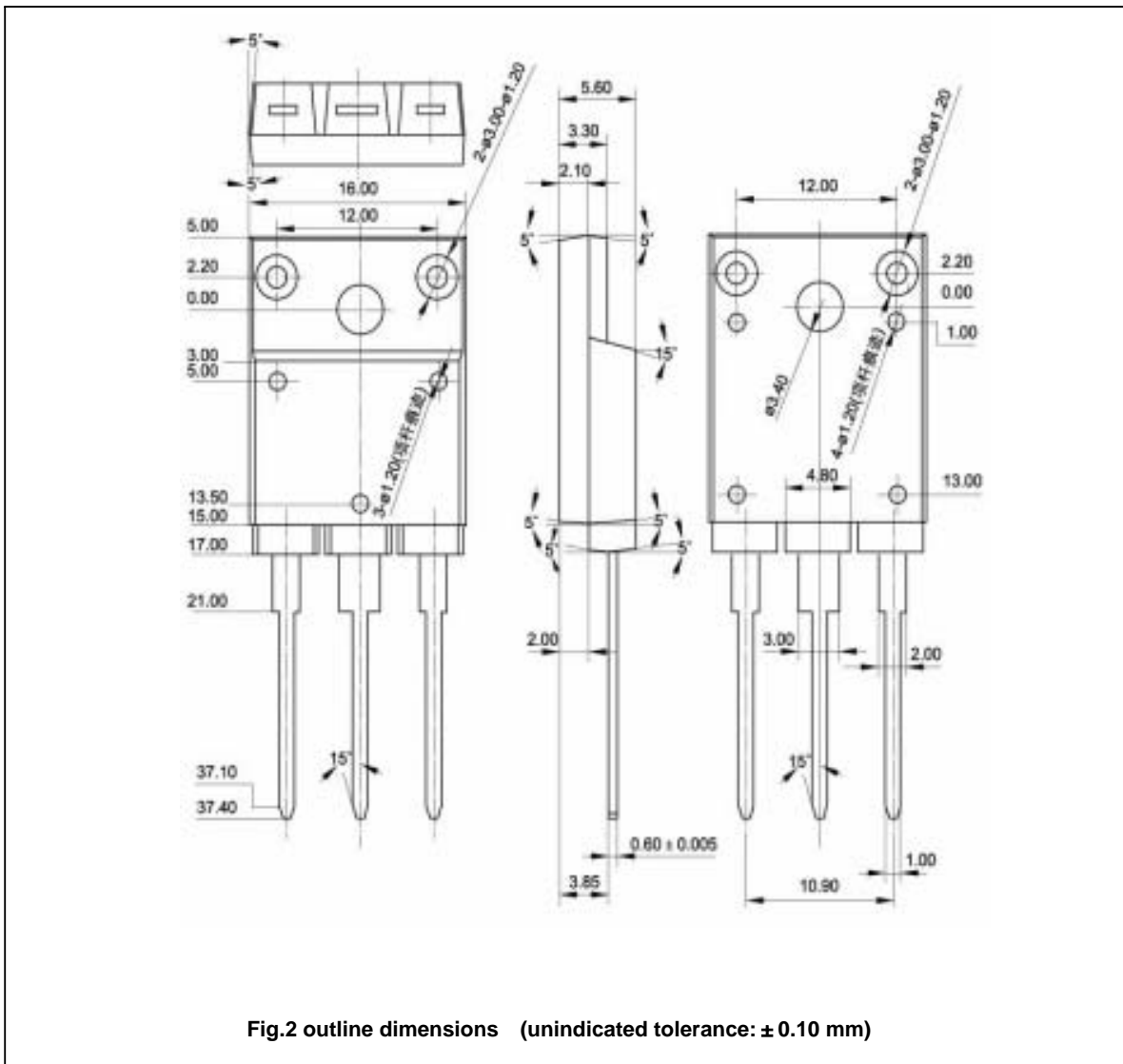


Fig.2 outline dimensions (unindicated tolerance: ± 0.10 mm)