



Micro Commercial Components

Micro Commercial Components  
 20736 Marilla Street Chatsworth  
 CA 91311  
 Phone: (818) 701-4933  
 Fax: (818) 701-4939

### Features

- Ideally Suited For Automatic Insertion
- Untral Small Surface Mount Package
- Pb Free Package are Available
- Case Material: Molded Plastic. UL Flammability Classification Rating 94V-0 and MSL Rating 1

#### Maximum Ratings @ $T_a = 25^\circ\text{C}$ (unless otherwise noted)

Symbol	Parameter	Value	Unit
$I_c$	Collector Current	2	A
$P_D$	Total Device Dissipation	0.5	W
$T_J$	Junction Temperature	150	$^\circ\text{C}$
$T_{STG}$	Storage Temperature Range	-55 to +150	$^\circ\text{C}$

#### Electrical Characteristics @ $25^\circ\text{C}$ Unless Otherwise Specified

Symbol	Parameter	Min	Max	Units
<b>OFF CHARACTERISTICS</b>				
$V_{(BR)CEO}$	Collector-Emitter Breakdown Voltage ( $I_c=1\text{mA}$ , $I_B=0$ )	50		V
$V_{(BR)CBO}$	Collector-Base Breakdown Voltage ( $I_c=50\mu\text{A}$ , $I_E=0$ )	60		V
$V_{(BR)EBO}$	Collector-Base Breakdown Voltage ( $I_E=50\mu\text{A}$ , $I_C=0$ )	6		V
$I_{CBO}$	Collector-Base Cutoff Current ( $V_{CB}=60\text{Vdc}$ , $I_E=0$ )		0.1	$\mu\text{A}$
$I_{EBO}$	Emitter-Base Cutoff Current ( $V_{EB}=5\text{Vdc}$ , $I_C=0$ )		0.1	$\mu\text{A}$

#### ON CHARACTERISTICS

$h_{FE}$	DC Current Gain ( $I_c=0.5\text{A}$ , $V_{CE}=2\text{Vdc}$ )	82	270	
$V_{CE(sat)}$	Collector-Emitter Saturation Voltage ( $I_c=1\text{A}$ , $I_B=50\text{mA}$ )		0.35	Vdc
$f_T$	Transition Frequency ( $V_{CE}=2\text{Vdc}$ , $I_c=500\text{mA}$ , $f=100\text{MHZ}$ )		210(typ)	MHZ
$C_{ob}$	Collector Output Capacitance ( $V_{CB}=10\text{Vdc}$ , $I_E=0$ , $f=1\text{MHZ}$ )		25(typ)	PF

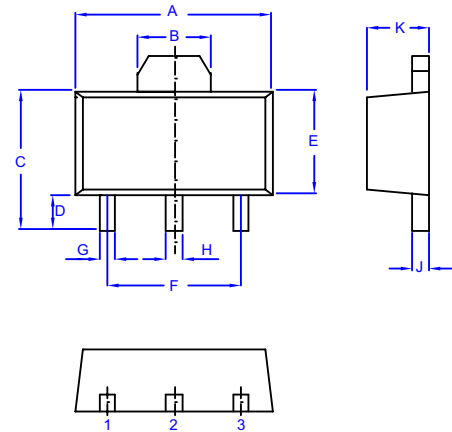
#### CLASSIFICATION OF $h_{FE}$

Rank	P	Q
Range	82-180	120-270
Marking	DKP	DKQ

**2SC4672**  
**2SC4672-P**  
**2SC4672-Q**

**NPN**  
**Plastic-Encapsulate**  
**Transistors**

**SOT-89**



1. Base
2. Collector
3. Emitter

DIM	DIMENSINS				NOTES
	INCHES		MM		
	MIN	MAX	MIN	MAX	
A	.173	.181	4.39	4.60	
B	.063	.071	1.60	1.80	
C	.154	.165	3.91	4.19	
D	.031	.039	0.80	1.00	
E	.092	.100	2.34	2.54	
F	.118	----	3.00	----	TYP
G	.013	.019	0.33	0.48	
H	.015	.021	0.38	0.53	
J	.015	.016	0.38	0.41	
K	.055	.063	1.40	1.60	

[www.mccsemi.com](http://www.mccsemi.com)



Micro Commercial Components

## Ordering Information

Device	Packing
(Part Number)-TP	Tape&Reel;1Kpcs/Reel

### \*\*\*IMPORTANT NOTICE\*\*\*

*Micro Commercial Components Corp* .reserves the right to make changes without further notice to any product herein to make corrections, modifications , enhancements , improvements , or other changes .  
*Micro Commercial Components Corp* .does not assume any liability arising out of the application or use of any product described herein; neither does it convey any license under its patent rights ,nor the rights of others . The user of products in such applications shall assume all risks of such use and will agree to hold *Micro Commercial Components Corp* .and all the companies whose products are represented on our website, harmless against all damages.

### \*\*\*APPLICATIONS DISCLAIMER\*\*\*

Products offer by *Micro Commercial Components Corp* . are not intended for use in Medical, Aerospace or Military Applications.

[www.mccsemi.com](http://www.mccsemi.com)