

isc Silicon NPN Power Transistor

2SC2650

DESCRIPTION

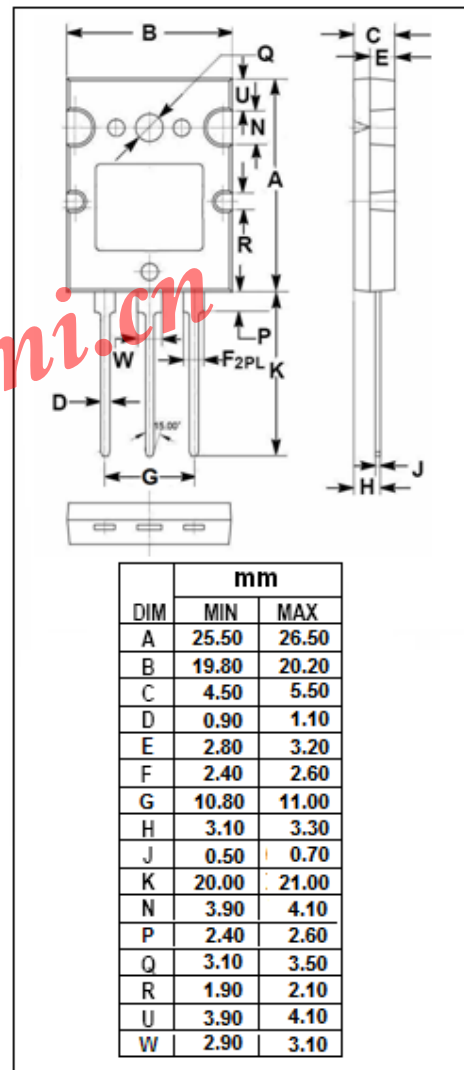
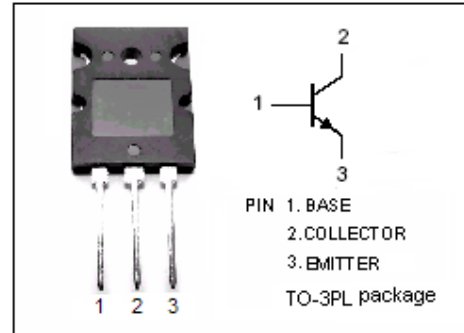
- Collector-Emitter Breakdown Voltage-
: $V_{(BR)CEO} = 400V(\text{Min})$
- High Switching Speed
- Wide Area of Safe Operation

APPLICATIONS

- Switching regulator application.
- High voltage switching application.
- High speed DC-DC converter application.

ABSOLUTE MAXIMUM RATINGS($T_a=25^\circ\text{C}$)

SYMBOL	PARAMETER	VALUE	UNIT
V_{CBO}	Collector-Base Voltage	500	V
V_{CEO}	Collector-Emitter Voltage	400	V
V_{EBO}	Emitter-Base Voltage	7	V
I_C	Collector Current-Continuous	10	A
I_B	Base Current-Continuous	5	A
P_C	Collector Power Dissipation @ $T_C=25^\circ\text{C}$	100	W
T_J	Junction Temperature	150	$^\circ\text{C}$
T_{stg}	Storage Temperature Range	-55~150	$^\circ\text{C}$



isc Silicon NPN Power Transistor

2SC2650

ELECTRICAL CHARACTERISTICS

 $T_C=25^\circ\text{C}$ unless otherwise specified

SYMBOL	PARAMETER	CONDITIONS	MIN	TYP.	MAX	UNIT
$V_{(BR)CBO}$	Collector-Base Breakdown Voltage	$I_C=1\text{mA}; I_E=0$	500			V
$V_{(BR)CEO}$	Collector-Emitter Breakdown Voltage	$I_C=10\text{mA}; I_B=0$	400			V
$V_{(BR)EBO}$	Emitter-Base Breakdown Voltage	$I_E=1\text{mA}; I_C=0$	7			V
$V_{CE(sat)}$	Collector-Emitter Saturation Voltage	$I_C=5\text{A}; I_B=0.5\text{A}$			1.5	V
$V_{BE(sat)}$	Base-Emitter Saturation Voltage	$I_C=5\text{A}; I_B=0.5\text{A}$			2.0	V
I_{CBO}	Collector Cutoff Current	$V_{CB}=400\text{V}; I_E=0$			100	μA
I_{EBO}	Emitter Cutoff Current	$V_{EB}=7\text{V}; I_C=0$			1	mA
h_{FE}	DC Current Gain	$I_C=5\text{A}; V_{CE}=5\text{V}$	10			

Switching Times

t_r	Rise Time	$I_C=5\text{A}; I_{B1}=-I_{B2}=0.5\text{A};$ $R_L=40\Omega; V_{CC}=200\text{V};$ Duty Cycle $\leq 1\%$			1.0	μs
t_{stg}	Storage Time				2.5	μs
t_f	Fall Time				1.0	μs