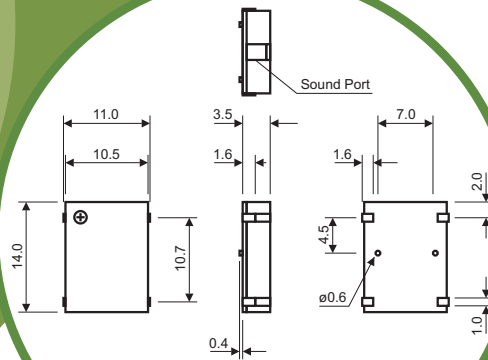


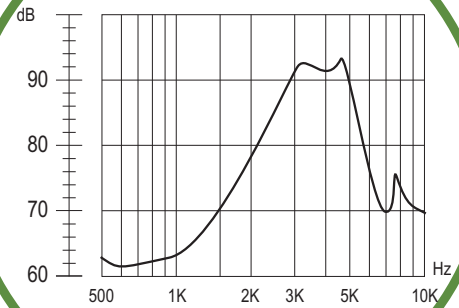
SoniCrest Electro-Magnetic Sound Generators

HCS14A Series



Dimension

Unit : mm
Tolerance : $\pm 0.3\text{mm}$



Frequency Response

Applied Voltage : 3V, 50% Duty Square Wave
Measuring Distance : 10cm

Specification (all data taken at 25°C unless otherwise specified)

Model	Rated Voltage (V)	Operating Voltage (V)	★Rated Current (mA)	Coil Resistance (Ω)	★Sound Output at 10cm (dB)	Rated Frequency (Hz)	Operating Temperature ($^{\circ}\text{C}$)	Storage Temperature ($^{\circ}\text{C}$)	Weight (g)
HCS1401A	1.5	1.2 ~ 1.7	≤ 80	9 ± 2	≥ 85	3200	-40 ~ +85	-40 ~ +85	1
HCS1403A	3	2 ~ 4.5	≤ 70	19 ± 2	≥ 87				
HCS1405A	5	3 ~ 6.5	≤ 60	30 ± 5	≥ 90				

★ Value Applying Rated Voltage, Rated Frequency, 50% Duty Square Wave

www.jlworld.com