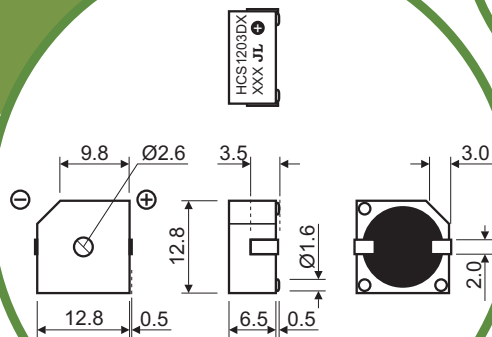
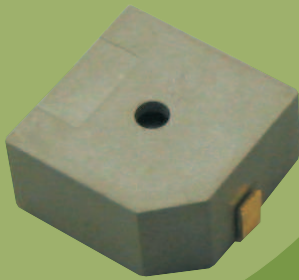


SoniCrest Electro-Magnetic Sound Generators

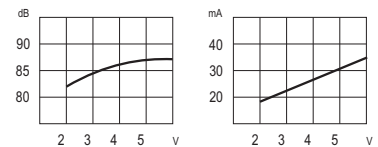
HCS12DX Series



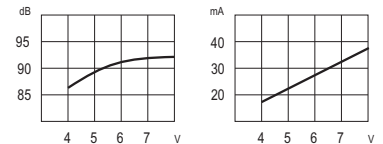
Dimension

Unit : mm
Tolerance : ± 0.3 mm

HCS1203DX



HCS1205DX



Characteristics Response

Measuring Temperature : 25°C
Measuring Distance : 10cm

Specification (all data taken at 25°C unless otherwise specified)

| Model | Rated Voltage (VDC) | Operating Voltage (VDC) | ★Rated Current (mA) | ★Sound Output at 10cm (dB) | ★Generated Frequency (Hz) | Operating Temperature (°C) | Storage Temperature (°C) | Weight (g) |
|-----------|---------------------|-------------------------|---------------------|----------------------------|---------------------------|----------------------------|--------------------------|------------|
| HCS1203DX | 3 | 2 ~ 5 | ≤ 30 | ≥ 80 | 2300 ± 300 | -40 ~ +85 | -40 ~ +90 | 2 |
| HCS1205DX | 5 | 4 ~ 7 | ≤ 30 | ≥ 80 | 2300 ± 300 | -40 ~ +85 | -40 ~ +90 | 2 |

★ Value Applying Rated Voltage, DC

www.jlworld.com