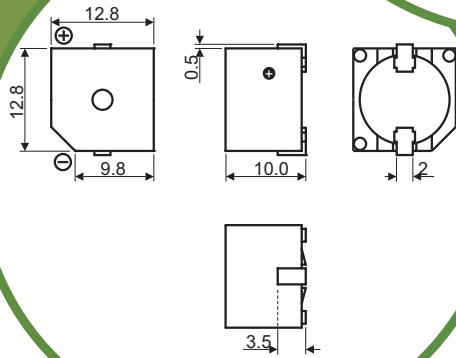


SoniCrest Electro-Magnetic Sound Generators

HCS12AX Series



Dimension

Unit : mm
Tolerance : ±0.3mm

Characteristics Response

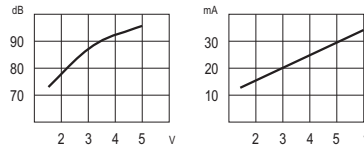
Measuring Temperature : 25°C
Measuring Distance : 10cm

Specification (all data taken at 25°C unless otherwise specified)

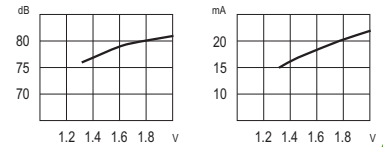
Model	Rated Voltage (VDC)	Operating Voltage (VDC)	★Rated Current (mA)	★Sound Output at 10cm (dB)	★Generated Frequency (Hz)	Operating Temperature (°C)	Storage Temperature (°C)	Weight (g)
HCS1201AX	1.5	1.3 ~ 2	≤ 20	≥ 75	2300 ± 300	-40 ~ +85	-40 ~ +85	3.5
HCS1203AX	3	2 ~ 5						
HCS1205AX	5	4 ~ 7	≤ 30	≥ 85				
HCS1206AX	6	4 ~ 8						
HCS1212AX	12	8 ~ 15						

★ Value Applying Rated Voltage, DC

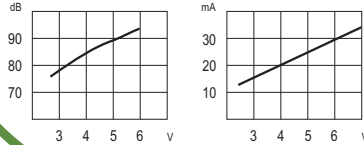
HCS1203AX



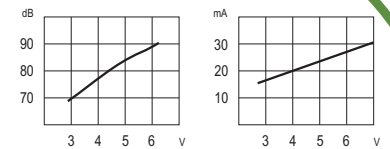
HCS1201AX



HCS1205AX



HCS1206AX



HCS1212AX

