

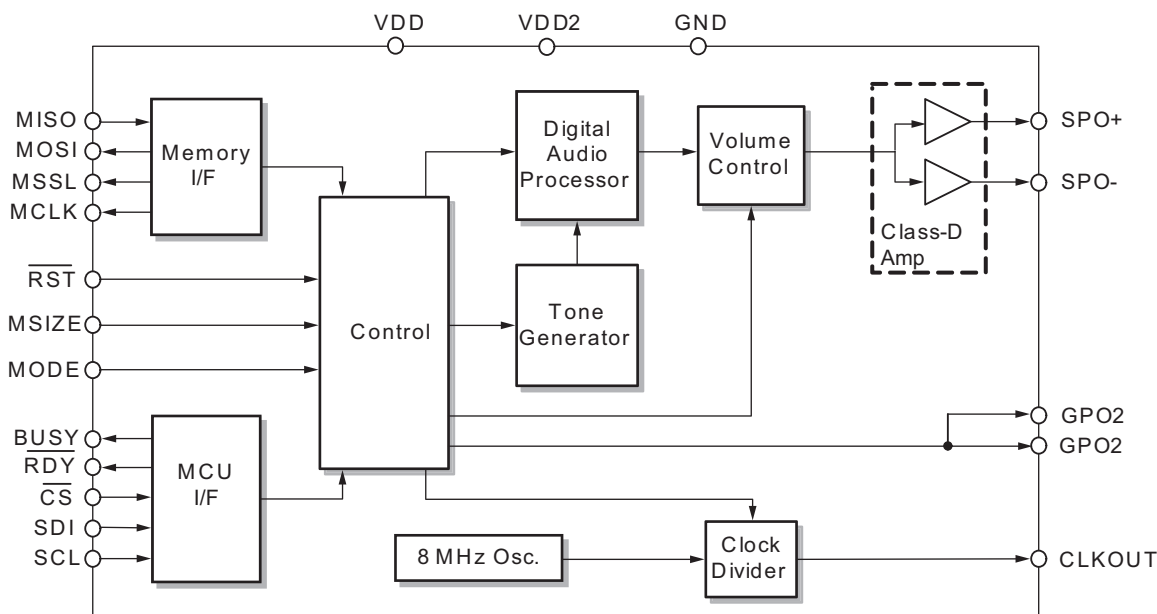


KX1400 Features

- ◆ Plays Pre-recorded 8 kHz Audio Data
- ◆ Operates Standalone or as MCU Peripheral
- ◆ On-chip Tone Generator
- ◆ Built-in Digital Audio Processor
- ◆ Integrated Class-D Speaker Driver

- ◆ No External Low-pass Filter Required
- ◆ Digital Volume Control
- ◆ On-chip Oscillator - No XTAL Required
- ◆ Plays up to 4096 Pre-recorded Audio Phrases
- ◆ Configurable General-purpose Clock Output
- ◆ Two General-purpose Digital

- Outputs
- ◆ Low-power Standby State (1 μ A Typ.)
 - ◆ Operating Voltage: 2.7V - 5.5V
 - ◆ Operating Temperature: -40°C to 85°C
 - ◆ Package:
 - 24-pin 4X4mm QFN (KX1400EG)



KX1400 Functional Block Diagram
The KX1400 is offered in a 24-pin 4X4mm QFN (KX1400EG) package

Conexant Product Portfolio

Conexant's comprehensive product portfolio includes solutions for imaging, audio, video surveillance, and embedded modem applications.

© 2011 Conexant Systems, Inc. All Rights Reserved. Conexant and the Conexant logo are registered trademarks of Conexant Systems, Inc. All other trademarks are owned by their respective owners. Although Conexant strives for accuracy in all its publications, this material may contain errors or omissions and is subject to change without notice. **THIS MATERIAL IS PROVIDED AS IS AND WITHOUT ANY EXPRESS OR IMPLIED WARRANTIES, INCLUDING MERCHANTABILITY, FITNESS FOR A PARTICULAR PURPOSE AND NON-INFRINGEMENT.** Conexant shall not be liable for any special, indirect, incidental or consequential damages as a result of its use.

www.conexant.com
General Information:
U.S. and Canada: (888) 855-4562
International: 1+ (949) 483-3000
Headquarters
4000 MacArthur Blvd.
Newport Beach, CA 92660
Doc# PBR-202776

