

Processor Power Management Subsystem

DESCRIPTION

WM8320 is an integrated power-management subsystem which provides a cost-effective, flexible, single-chip solution for power management, specifically targeted at the requirements of a range of low-power portable applications. WM8320 is specifically designed to operate as a system PMIC supporting the ARM9™, ARM11™ and ARM Cortex-A™ series processors at the heart of a range of low-power applications.

The start-up behaviour and configuration is fully programmable in an integrated OTP non-volatile memory. This highly flexible solution helps reduce time-to-market, as changing application requirements can be very easily accommodated in the OTP contents. An external EEPROM can be used to configure the WM8320 for development purposes.

The WM8320 power management subsystem comprises four programmable DC-DC converters and eleven LDO regulators (four of which are low-noise for supplying sensitive analogue subsystems). The integrated OTP bootstrap circuitry controls the start-up sequencing and voltages of the converters and regulators as well as the sequencing of system clocks.

The DC-DC converters deliver high performance and high efficiency across a wide range of operating conditions. They are optimised to support the high load current transients seen in modern processor core domains. DC-DC3 / DC-DC4 can be connected together and operated in 'dual' mode to support an increased current load of up to 1.6A.

An on-chip regulator provides power for always-on PMIC functions such as register map and the RTC. The device provides autonomous backup battery switchover. A low-power LDO is included to support 'Alive' processor power domains external to the WM8320.

A 12-bit Auxiliary ADC supports a wide range of applications for internal as well as external analogue sampling, such as voltage detection and temperature measurement.

WM8320 includes a crystal oscillator and an internal RC oscillator to generate all clock signals for autonomous system start-up and processor clocking. A Secure Real-time Clock (S-RTC) and alarm function is included, capable of waking up the system from low-power modes. A watchdog function is provided to ensure system integrity.

To maximise battery life, highly-granular power management enables each function in the WM8320 subsystem to be independently powered down through a control interface or alternatively through register and OTP-configurable GPIOs. The device offers a standby power consumption of <10uA, making it particularly suitable for portable applications.

The WM8320 is supplied in a 7x7mm 169-ball BGA package, ideal for use in portable systems. The WM8320 forms part of the Wolfson series of audio and power management solutions, and is widely register compatible with the WM831X family of PMIC devices.

FEATURES

Power Management

- 2 x DC-DC buck converter (0.6V - 1.8V, up to 1.2A, DVS)
- 2 x DC-DC buck converter (0.85V - 3.4V, up to 1A)
- 1 x LDO regulator (0.9V - 3.3V, 300mA, 1Ω)
- 2 x LDO regulators (0.9V - 3.3V, 200mA, 1Ω)
- 3 x LDO regulators (0.9V - 3.3V, 100mA, 2Ω)
- 2 x Low-noise LDO regulators (1.0V - 3.5V, 200mA, 1Ω)
- 2 x Low-noise LDO regulators (1.0V - 3.5V, 150mA, 2Ω)
- 1 x 'Alive' regulator (0.8V - 1.55V, up to 10mA)

System Control

- I²C or SPI compatible primary control interface
- Comprehensive interrupt scheme
- Watchdog timer and system reset control
- Autonomous power sequencing and fault detection
- OTP memory bootstrap configuration function

Additional Features

- Auxiliary ADC for multi-function analogue measurement
- 128-bit pseudo-random unique ID
- Secure Real-Time Clock with wake-up alarm
- 12 x configurable multi-function (GPIO) pins
- Comprehensive clocking scheme: low-power 32kHz RTC crystal oscillator, GPIO clock output and 4MHz RC clock for power management
- System LED outputs indicating device power state, and fault status

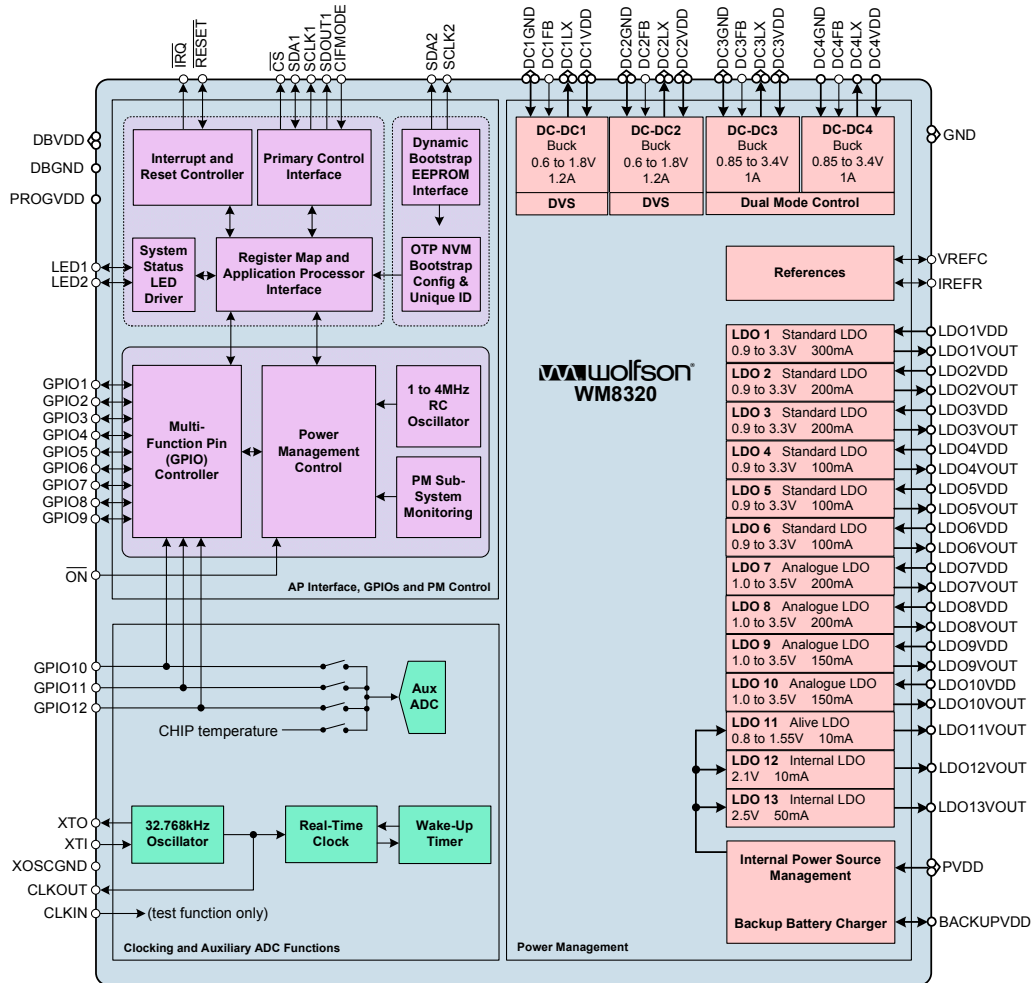
Package Options

- 7x7mm, 169-ball BGA package, 0.5mm ball pitch

APPLICATIONS

- Cellular Handsets
- Smartphones
- Electronic Books
- Portable Media Players
- Mobile Internet Devices
- Electronic Gaming Devices
- Netbooks
- Set Top Box

BLOCK DIAGRAM



TYPICAL APPLICATIONS

The WM8320 is designed as a system PMIC device that generates configurable DC supplies to power processors and associated peripherals within a system. The WM8320 provides four step-down DC-DC converters. Two of these can operate in dual mode, providing an increased current capability. Eleven LDO regulators provide a high degree of flexibility to provide power to multiple devices, with the capability to power-up and power-down different circuits independently.

Two of the DC-DC step-down converters are specifically designed to handle rapid changes in load current, as required by modern application processors; selectable operating modes allow the converters to be optimally configured for light, heavy or transient load conditions; they can also be tailored for minimum PCB area, maximum performance, or for maximum efficiency. The analogue LDOs provide low-noise outputs suitable for powering sensitive circuits such as RF / Wi-Fi / cellular handset applications.

The WM8320 powers up the converters and LDOs according to a programmable sequence. A configurable 'SLEEP' state is also available, providing support for an alternate configuration, typically for low-power / standby operation. The power control sequences and many other parameters can be stored in an integrated user-programmable OTP memory or may be loaded from an external memory. The WM8320 supports the programming and verification of the integrated OTP memory.

A backup battery supply can be connected to the WM8320 in order to maintain the Real Time Clock (RTC) in the absence of the primary supply. The WM8320 provides a battery charger for the backup battery.

Programmable GPIO pins may be configured as hardware inputs for general use or for selecting different power management configurations. As outputs, the GPIOs can provide indications of the device status, or may be used as control signals for other power management circuits. The WM8320 also provides two LED drivers, which can be controlled manually or configured as status indicators for the OTP memory programmer or operating power state.

PIN CONFIGURATION

	1	2	3	4	5	6	7	8	9	10	11	12	13	
A	DNC	REFGND3	LDO1VDD	LDO2VDD	LDO3VDD	DC2VDD	DC2LX	DC2GND	DC1GND	DC1LX	DC1VDD	DC1FB	GND	A
B	DNC	DNC	LDO1VOUT	LDO2VOUT	LDO3VOUT	DC2VDD	DC2LX	DC2GND	DC1GND	DC1LX	DC1VDD	GND	GND	B
C	DBGND	DBVDD2	GND	CIFMODE	DNC	DC2FB	SDA1	SCLK1	$\overline{\text{CS}}$	SDOUT1	GND	$\overline{\text{RESET}}$	$\overline{\text{IRQ}}$	C
D	DC3VDD	DC3VDD	GND	GND	DNC	GND	GND	GND	GND	GND	GPIO8	GPIO3	DBVDD1	D
E	DC3LX	DC3LX	DC3FB	GND	GND	GND	GND	GND	GND	GND	LDO13VOUT	GND	GPIO7	E
F	DC3GND	DC3GND	CLKOUT	GND	GND	GND	GND	GND	GND	GND	GPIO9	REFGND2	GND	F
G	DC4GND	DC4GND	CLKIN	GND	GND	GND	GND	GND	GND	GND	GPIO2	LDO9VOUT	LDO9VDD	G
H	DC4LX	DC4LX	GND	GND	GND	GND	GND	GND	GND	GND	GPIO1	LDO10VOUT	LDO10VDD	H
J	DC4VDD	DC4VDD	GND	GND	GND	GND	GND	GND	GND	GND	GND	LDO7VOUT	LDO7VDD	J
K	GND	DC4FB	GND	GND	GND	GND	GND	GND	GND	GND	LED1	LDO8VOUT	LDO8VDD	K
L	PVDD1	GND	GND	GND	GND	GPIO12	GND	IREFR	SDA2	GND	GND	LED2	PVDD3	L
M	GND	LDO6VOUT	LDO5VOUT	LDO4VOUT	GPIO4	GPIO6	GPIO11	VREFC	$\overline{\text{ON}}$	XTI	XTO	BACKUPVDD	LDO11VOUT	M
N	GND	LDO6VDD	LDO5VDD	LDO4VDD	PROGVDD	GPIO5	GPIO10	PVDD2	LDO12VOUT	SCLK2	XOSCGND	GND	REFGND1	N

7x7 BGA - TOP VIEW (WM8320)

ORDERING INFORMATION

ORDER CODE	TEMPERATURE RANGE (T _A)	PACKAGE	MOISTURE SENSITIVITY LEVEL	PEAK SOLDERING TEMPERATURE
WM8320GEB/V	-40°C to +85°C	169-ball (7 x 7mm) (Pb-free)	MSL3	260°C
WM8320GEB/RV	-40°C to +85°C	169-ball (7 x 7mm) (Pb-free, tape and reel)	MSL3	260°C

Note:

Reel quantity = 2200

PIN DESCRIPTION

Notes:

1. Pins are sorted by functional groups.
2. The power domain associated with each pin is noted; VPMIC is the domain powered by LDO12 for the 'always-on' functions internal to the WM8320.

PIN	NAME	TYPE	POWER DOMAIN	DESCRIPTION	
Clocking and Real Time Clock					
M11	XTO	Analogue Output	VPMIC	Crystal Drive Output	
M10	XTI	Analogue Input		Crystal Drive Input or 32.768kHz CMOS Clock Input	
N11	XOSCGND	Supply		Crystal Oscillator Ground	
F3	CLKOUT	Digital Output	DBVDD2	CMOS Clock Output	
G3	CLKIN	Digital Input		CMOS Clock Input (test function only; this pin should be connected to GND)	
General Purpose Input / Output and Auxiliary ADC					
H11	GPIO1	Digital I/O	DBVDD1 or VPMIC	GPIO Pin 1	
G11	GPIO2	Digital I/O		GPIO Pin 2	
D12	GPIO3	Digital I/O		GPIO Pin 3	
M5	GPIO4	Digital I/O	DBVDD1 or PVDD	GPIO Pin 4	
N6	GPIO5	Digital I/O		GPIO Pin 5	
M6	GPIO6	Digital I/O		GPIO Pin 6	
E13	GPIO7	Digital I/O	DBVDD1 or VPMIC	GPIO Pin 7	
D11	GPIO8	Digital I/O		GPIO Pin 8	
F11	GPIO9	Digital I/O		GPIO Pin 9	
N7	GPIO10	Digital I/O	DBVDD1 or PVDD	GPIO Pin 10 / Auxiliary ADC input	
M7	GPIO11	Digital I/O		GPIO Pin 11 / Auxiliary ADC input	
L6	GPIO12	Digital I/O		GPIO Pin 12 / Auxiliary ADC input	
Processor Interface and IC Control					
M9	ON	Digital Input	VPMIC	ON Request Pin (Internal pull-up)	
C12	RESET	Digital I/O	DBVDD1	System Reset Input and Open Drain Output. (Internal pull-up)	
C13	IRQ	Digital Output	DBVDD1	PMIC Interrupt Flag Output. Configurable Open Drain / CMOS mode. (Internal pull-up in Open Drain mode.)	
C4	CIFMODE	Digital Input	DBVDD2	Primary Control Interface Mode Select: 0 = I ² C Compatible Control Interface Mode 1 = SPI Compatible Control Interface Mode	
				<i>SPI Compatible Control Interface Mode</i>	<i>I²C Compatible Control Interface Mode</i>
C10	SDOUT1	Digital Output	DBVDD1	Control Interface Serial Data Out	No Function
C8	SCLK1	Digital Input		Control Interface Serial Clock	Control Interface Serial Clock
C7	SDA1	Digital I/O		Control Interface Serial Data In	Control Interface Serial Data Input and Open Drain Output. (Output can extend above DBVDD1 domain.)
C9	CS	Digital Input		Control Interface Chip Select	I ² C Address Select: 0 = 68h 1 = 6Ch

PIN	NAME	TYPE	POWER DOMAIN	DESCRIPTION
N10	SCLK2	Digital I/O	VPMIC	Control Interface Serial Clock for external DBE EEPROM (Internal pull-down)
L9	SDA2	Digital I/O		Control Interface Serial Data to/from external DBE EEPROM (Internal pull-down)
D13	DBVDD1	Supply		Digital Buffer Supply
C2	DBVDD2	Supply		Digital Buffer Supply
C1	DBGND	Supply		Digital Buffer Ground
OTP Memory				
N5	PROGVDD	Supply		High-voltage input for OTP programming.
DC-DC Converters and LDO Regulators				
A13, B12, B13, C3, C11, D3, D4, D6, D7, D8, D9, D10, E4, E5, E6, E7, E8, E9, E10, E12, F4, F5, F6, F7, F8, F9, F10, F13, G4, G5, G6, G7, G8, G9, G10, H3, H4, H5, H6, H7, H8, H9, H10, J3, J4, J5, J6, J7, J8, J9, J10, J11, K1, K3, K4, K5, K6, K7, K8, K9, K10, L2, L3, L4, L5, L7, L10, L11, M1, N1, N12	GND	Supply		Ground
A9, B9	DC1GND	Supply		DC-DC1 Power Ground
A12	DC1FB	Analogue Input	DC1VDD	DC-DC1 Feedback Pin
A10, B10	DC1LX	Analogue I/O		DC-DC1 Inductor Connection
A11, B11	DC1VDD	Supply		DC-DC1 Power Input
A8, B8	DC2GND	Supply		DC-DC2 Power Ground
C6	DC2FB	Analogue Input	DC2VDD	DC-DC2 Feedback Pin
A7, B7	DC2LX	Analogue I/O		DC-DC2 Inductor Connection
A6, B6	DC2VDD	Supply		DC-DC2 Power Input
F1, F2	DC3GND	Supply		DC-DC3 Power Ground
E3	DC3FB	Analogue Input	DC3VDD	DC-DC3 Feedback Pin
E1, E2	DC3LX	Analogue I/O		DC-DC3 Inductor Connection
D1, D2	DC3VDD	Supply		DC-DC3 Power Input

PIN	NAME	TYPE	POWER DOMAIN	DESCRIPTION
G1, G2	DC4GND	Supply		DC-DC4 Power Ground
K2	DC4FB	Analogue Input	DC4VDD	DC-DC4 Feedback Pin
H1, H2	DC4LX	Analogue I/O		DC-DC4 Inductor Connection
J1, J2	DC4VDD	Supply		DC-DC4 Power Input
A3	LDO1VDD	Supply		LDO1 Power Input
B3	LDO1VOUT	Analogue Output	LDO1VDD	LDO1 Power Output
A4	LDO2VDD	Supply		LDO2 Power Input
B4	LDO2VOUT	Analogue Output	LDO2VDD	LDO2 Power Output
A5	LDO3VDD	Supply		LDO3 Power Input
B5	LDO3VOUT	Analogue Output	LDO3VDD	LDO3 Power Output
N4	LDO4VDD	Supply		LDO4 Power Input
M4	LDO4VOUT	Analogue Output	LDO4VDD	LDO4 Power Output
N3	LDO5VDD	Supply		LDO5 Power Input
M3	LDO5VOUT	Analogue Output	LDO5VDD	LDO5 Power Output
N2	LDO6VDD	Supply		LDO6 Power Input
M2	LDO6VOUT	Analogue Output	LDO6VDD	LDO6 Power Output
J13	LDO7VDD	Supply		LDO7 Power Input
J12	LDO7VOUT	Analogue Output	LDO7VDD	LDO7 Power Output
K13	LDO8VDD	Supply		LDO8 Power Input
K12	LDO8VOUT	Analogue Output	LDO8VDD	LDO8 Power Output
G13	LDO9VDD	Supply		LDO9 Power Input
G12	LDO9VOUT	Analogue Output	LDO9VDD	LDO9 Power Output
H13	LDO10VDD	Supply		LDO10 Power Input
H12	LDO10VOUT	Analogue Output	LDO10VDD	LDO10 Power Output
M13	LDO11VOUT	Analogue Output	PVDD2	LDO11 (Alive) Power Output
N9	LDO12VOUT	Analogue I/O	PVDD2	LDO12 (Internal VPMIC) Output; not for general use
E11	LDO13VOUT	Analogue I/O	PVDD2	LDO13 (Internal INTVDD) Output; not for general use
Voltage and Current References				
M8	VREFC	Analogue I/O	VPMIC	Voltage Reference capacitor connection point
L8	IREFR	Analogue I/O		Current Reference resistor connection point
N13	REFGND1	Supply		Reference Ground
F12	REFGND2	Supply		Reference Ground
A2	REFGND3	Supply		Reference Ground
System Power				
L1	PVDD1	Supply		System VDD Supply
N8	PVDD2	Supply		System VDD Supply
L13	PVDD3	Supply		System VDD Supply
M12	BACKUPVDD	Supply		Secondary (Backup) Battery Supply
System LED Drivers				
K11	LED1	Digital Output	PVDD3	Status LED Driver 1. Open Drain Output
L12	LED2	Digital Output		Status LED Driver 2. Open Drain Output
Do Not Connect				
A1, B1, B2, C5, D5	DNC			Do Not Connect

ABSOLUTE MAXIMUM RATINGS

Absolute Maximum Ratings are stress ratings only. Permanent damage to the device may be caused by continuously operating at or beyond these limits. Device functional operating limits and guaranteed performance specifications are given under Electrical Characteristics at the test conditions specified.



ESD Sensitive Device. This device is manufactured on a CMOS process. It is therefore generically susceptible to damage from excessive static voltages. Proper ESD precautions must be taken during handling and storage of this device.

Wolfson tests its package types according to IPC/JEDEC J-STD-020B for Moisture Sensitivity to determine acceptable storage conditions prior to surface mount assembly. These levels are:

MSL1 = unlimited floor life at <30°C / 85% Relative Humidity. Not normally stored in moisture barrier bag.

MSL2 = out of bag storage for 1 year at <30°C / 60% Relative Humidity. Supplied in moisture barrier bag.

MSL3 = out of bag storage for 168 hours at <30°C / 60% Relative Humidity. Supplied in moisture barrier bag.

The WM8320 has been classified as MSL3.

CONDITION	MIN	MAX
OTP Programming Supply (PROGVDD)	-0.3V	7.0V
System supply (PVDD)	-0.3V	7.0V
Input voltage for LDO regulators	-0.3V	7.0V
Input voltage for DC-DC converters	-0.3V	7.0V
Digital buffer supply (DBVDD)	-0.3V	4.5V
Voltage range for digital inputs	-0.3V	DBVDD + 0.3V
Operating Temperature Range, T _A	-40°C	+85°C
Junction Temperature, T _J	-40°C	+125°C
Thermal Impedance Junction to Ambient, θ _{JA}		45°C/W
Storage temperature prior to soldering	30°C max / 60% RH max	
Storage temperature after soldering	-65°C	+150°C
Soldering temperature (10 seconds)		+260°C

Note: These ratings assume that all ground pins are at 0V.

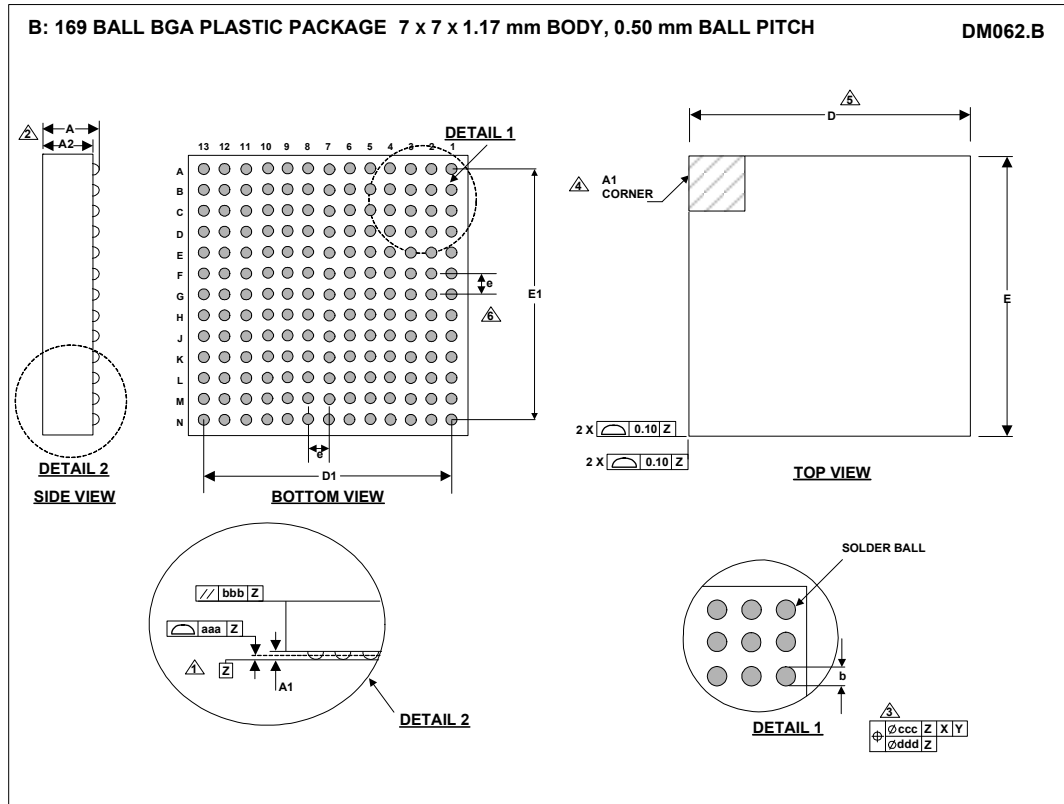
RECOMMENDED OPERATING CONDITIONS

PARAMETER	SYMBOL	MIN	TYP	MAX	UNITS
System power source	PVDD	4.3		5.5	V
Backup Battery power source	BACKUPVDD			3.6	V
Digital buffer supply	DBVDD	1.71		3.6	V
OTP Programming Supply (see note)	PROGVDD	6.25	6.5	6.75	V
	LDO12VOUT		3.3		V
Ground	GND, DBGND		0		V

Note:

The OTP Programming Supply PROGVDD should only be present when programming the OTP. At other times, this pin should be left unconnected. The LDO12VOUT must be overdriven by an external supply when programming the OTP. At other times, the voltage at this pin is driven by the internal circuits of the WM8320.

PACKAGE DIAGRAM



Symbols	Dimensions (mm)			
	MIN	NOM	MAX	NOTE
A		1.17	1.27	
A1	0.17	0.21	0.26	
A2	0.91	0.96	1.01	
b	0.25	0.30	0.35	
D		7.00 BSC		
D1		6.00 BSC		
E		7.00 BSC		
E1		6.00 BSC		
e		0.50 BSC		6
Tolerances of Form and Position				
aaa		0.08		
bbb		0.10		
ccc		0.15		
ddd		0.05		
REF:		JEDEC, MO-195		

- NOTES:
1. PRIMARY DATUM -Z- AND SEATING PLANE ARE DEFINED BY THE SPHERICAL CROWNS OF THE SOLDER BALLS.
 2. THIS DIMENSION INCLUDES STAND-OFF HEIGHT 'A1'.
 3. DIMENSION 'b' IS MEASURED AT THE MAXIMUM SOLDER BALL DIAMETER, PARALLEL TO PRIMARY DATUM -Z-.
 4. A1 CORNER IS IDENTIFIED BY INK/LASER MARK ON TOP PACKAGE.
 5. BILATERAL TOLERANCE ZONE IS APPLIED TO EACH SIDE OF THE PACKAGE BODY.
 6. 'e' REPRESENTS THE BASIC SOLDER BALL GRID PITCH.
 7. THIS DRAWING IS SUBJECT TO CHANGE WITHOUT NOTICE.
 8. FALLS WITHIN JEDEC, MO-195

IMPORTANT NOTICE

Wolfson Microelectronics plc ("Wolfson") products and services are sold subject to Wolfson's terms and conditions of sale, delivery and payment supplied at the time of order acknowledgement.

Wolfson warrants performance of its products to the specifications in effect at the date of shipment. Wolfson reserves the right to make changes to its products and specifications or to discontinue any product or service without notice. Customers should therefore obtain the latest version of relevant information from Wolfson to verify that the information is current.

Testing and other quality control techniques are utilised to the extent Wolfson deems necessary to support its warranty. Specific testing of all parameters of each device is not necessarily performed unless required by law or regulation.

In order to minimise risks associated with customer applications, the customer must use adequate design and operating safeguards to minimise inherent or procedural hazards. Wolfson is not liable for applications assistance or customer product design. The customer is solely responsible for its selection and use of Wolfson products. Wolfson is not liable for such selection or use nor for use of any circuitry other than circuitry entirely embodied in a Wolfson product.

Wolfson's products are not intended for use in life support systems, appliances, nuclear systems or systems where malfunction can reasonably be expected to result in personal injury, death or severe property or environmental damage. Any use of products by the customer for such purposes is at the customer's own risk.

Wolfson does not grant any licence (express or implied) under any patent right, copyright, mask work right or other intellectual property right of Wolfson covering or relating to any combination, machine, or process in which its products or services might be or are used. Any provision or publication of any third party's products or services does not constitute Wolfson's approval, licence, warranty or endorsement thereof. Any third party trade marks contained in this document belong to the respective third party owner.

Reproduction of information from Wolfson datasheets is permissible only if reproduction is without alteration and is accompanied by all associated copyright, proprietary and other notices (including this notice) and conditions. Wolfson is not liable for any unauthorised alteration of such information or for any reliance placed thereon.

Any representations made, warranties given, and/or liabilities accepted by any person which differ from those contained in this datasheet or in Wolfson's standard terms and conditions of sale, delivery and payment are made, given and/or accepted at that person's own risk. Wolfson is not liable for any such representations, warranties or liabilities or for any reliance placed thereon by any person.

ADDRESS:

Wolfson Microelectronics plc
Westfield House
26 Westfield Road
Edinburgh
EH11 2QB
United Kingdom

Tel :: +44 (0)131 272 7000
Fax :: +44 (0)131 272 7001
Email :: sales@wolfsonmicro.com