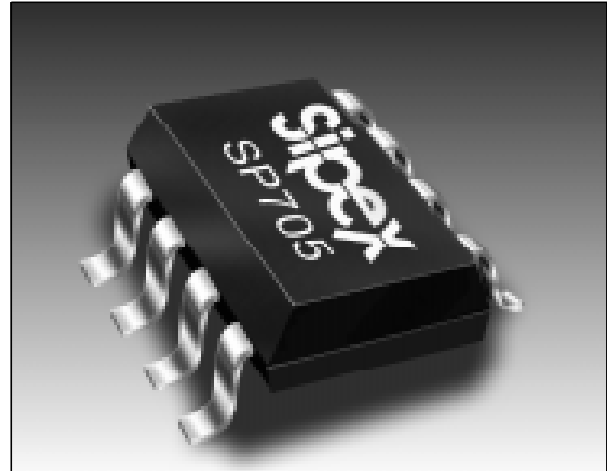


## Low Power Microprocessor Supervisory Circuits

- Precision Voltage Monitor:
  - SP705/707/813L at 4.65V
  - SP706/708/813M at 4.40V
- RESET Pulse Width - 200ms
- Independent Watchdog Timer - 1.6s Timeout (SP705/706/813L/813M)
- 60µA Maximum Supply Current
- Debounced TTL/CMOS Manual Reset Input
- $\overline{\text{RESET}}$  Asserted Down to  $V_{\text{CC}} = 1\text{V}$
- Voltage Monitor for Power Failure or Low Battery Warning
- Available in 8-pin PDIP, NSOIC, and µSOIC packages
- Pin Compatible Enhancement to Industry Standard 705-708/813L Series
- Functionally Compatible to Industry Standard 1232 Series



Now available in Lead Free

### DESCRIPTION...

The **SP705-708/813L/813M** series is a family of microprocessor ( $\mu\text{P}$ ) supervisory circuits that integrate myriad components involved in discrete solutions which monitor power-supply and battery in  $\mu\text{P}$  and digital systems. The **SP705-708/813L/813M** series will significantly improve system reliability and operational efficiency when compared to solutions obtained with discrete components. The features of the **SP705-708/813L/813M** series include a watchdog timer, a  $\mu\text{P}$  reset, a Power Fail Comparator, and a manual-reset input. The **SP705-708/813L/813M** series is ideal for applications in automotive systems, computers, controllers, and intelligent instruments. The **SP705-708/813L/813M** series is an ideal solution for systems in which critical monitoring of the power supply to the  $\mu\text{P}$  and related digital components is demanded.

Part Number	RESET Threshold	RESET Active	Manual RESET	Watchdog	PFI Accuracy
SP705	4.65 V	LOW	YES	YES	4%
SP706	4.40 V	LOW	YES	YES	4%
SP707	4.65 V	LOW and HIGH	YES	NO	4%
SP708	4.40 V	LOW and HIGH	YES	NO	4%
SP813L	4.65 V	HIGH	YES	YES	4%
SP813M	4.40V	HIGH	YES	YES	4%

## ABSOLUTE MAXIMUM RATINGS

This is a stress rating only and functional operation of the device at these or any other conditions above those indicated in the operation sections of this specification is not implied. Exposure to absolute maximum rating conditions for extended periods of time may affect reliability and cause permanent damage to the device.

$V_{CC}$  ..... -0.3V to +6.0V  
 All Other Inputs (Note 1) ..... -0.3V to ( $V_{CC}+0.3V$ )

Input Current:

$V_{CC}$  ..... 20mA  
 GND ..... 20mA  
 Output Current (all outputs) ..... 20mA  
 ESD Rating ..... 4KV

Continuous Power Dissipation

Plastic DIP (derate 9.09mW/°C above +70°C) 727mW  
 SO (derate 5.88mW/°C above +70°C) ..... 471mW  
 Mini SO (derate 4.10mW/°C above +70°C) 330mW

Storage Temperature Range ..... -65°C to +160°C

Lead Temperature (soldering, 10s) ..... +300°C

## SPECIFICATIONS

$V_{CC} = 4.75V$  to  $5.50V$  for SP705/707/813L,  $V_{CC} = 4.50V$  to  $5.50V$  for SP706/708/813M,  $T_A = T_{MIN}$  to  $T_{MAX}$ , unless otherwise noted, typical at 25°C.

PARAMETER	MIN.	TYP.	MAX.	UNITS	CONDITIONS
Operating Voltage Range, $V_{CC}$	1.0		5.5	V	
Supply Current, $I_{SUPPLY}$		40	60	$\mu A$	$\overline{MR}=V_{CC}$ or Floating, WDI Floating
Reset Threshold	4.50 4.25	4.65 4.40	4.75 4.50	V	SP705, SP707, SP813L, Note 2 SP706, SP708, SP813M, Note 2
Reset Threshold Hysteresis		40		mV	Note 2
Reset Pulse Width, $t_{RS}$	140	200	280	ms	Note 2
RESET Output Voltage	$V_{CC}-1.5$ 0.8		0.40 0.30	V	Note 2 $I_{SOURCE} = 800\mu A$ $I_{SOURCE} = 4\mu A, V_{CC} = 1.1V$ $I_{SINK} = 3.2mA$ $V_{CC} = 1V, I_{SINK} = 50\mu A$
Watchdog Timeout Period, $t_{WD}$	1.00	1.60	2.25	s	SP705, SP706, SP813L, SP813M
WDI Pulse Width, $t_{WP}$	1			$\mu s$	$V_{IL} = 0.4V, V_{IH} = 0.8XV_{CC}$
WDI Input Threshold, LOW HIGH	3.5		0.8	V	SP705, SP706, SP813L, SP813M $V_{CC} = 5V$
WDI Input Current	-75	30 -20	75	$\mu A$	SP705, SP706, SP813L, SP813M WDI = $V_{CC}$ SP705, SP706, SP813L, SP813M WDI = 0V

# SPECIFICATIONS

$V_{CC} = 4.75V$  to  $5.50V$  for SP705/707/813L,813M,  $V_{CC} = 4.50V$  to  $5.50V$  for SP706/708,  $T_A = T_{MIN}$  to  $T_{MAX}$ , unless otherwise noted, typical at  $25^{\circ}C$ .

PARAMETER	MIN.	TYP.	MAX.	UNITS	CONDITIONS
WDO Output Voltage	$V_{CC}-1.5$		0.40	V	$I_{SOURCE}=800\mu A$ $I_{SINK}=3.2mA$
$\overline{MR}$ Pull-Up Current	100	250	600	$\mu A$	$\overline{MR} = 0V$
$\overline{MR}$ Pulse Width, $t_{MR}$	150			ns	
$\overline{MR}$ Input Threshold LOW HIGH	2.0		0.8	V	
$\overline{MR}$ to Reset Out Delay, $t_{MD}$			250	ns	Note 2
PFI Input Threshold	1.20	1.25	1.30	V	$V_{CC} = 5V$
PFI Input Current	-25.00	0.01	25.00	nA	
PFO Output Voltage	$V_{CC}-1.5$		0.4	V	$I_{SOURCE} = 800\mu A$ $I_{SINK} = 3.2mA$

**Note 1:** The input voltage limits on PFI and  $\overline{MR}$  can be exceeded if the input current is less than 10mA.

**Note 2:** Applies to both RESET in the SP705-SP708 and RESET in the SP707/708/813L/813M.

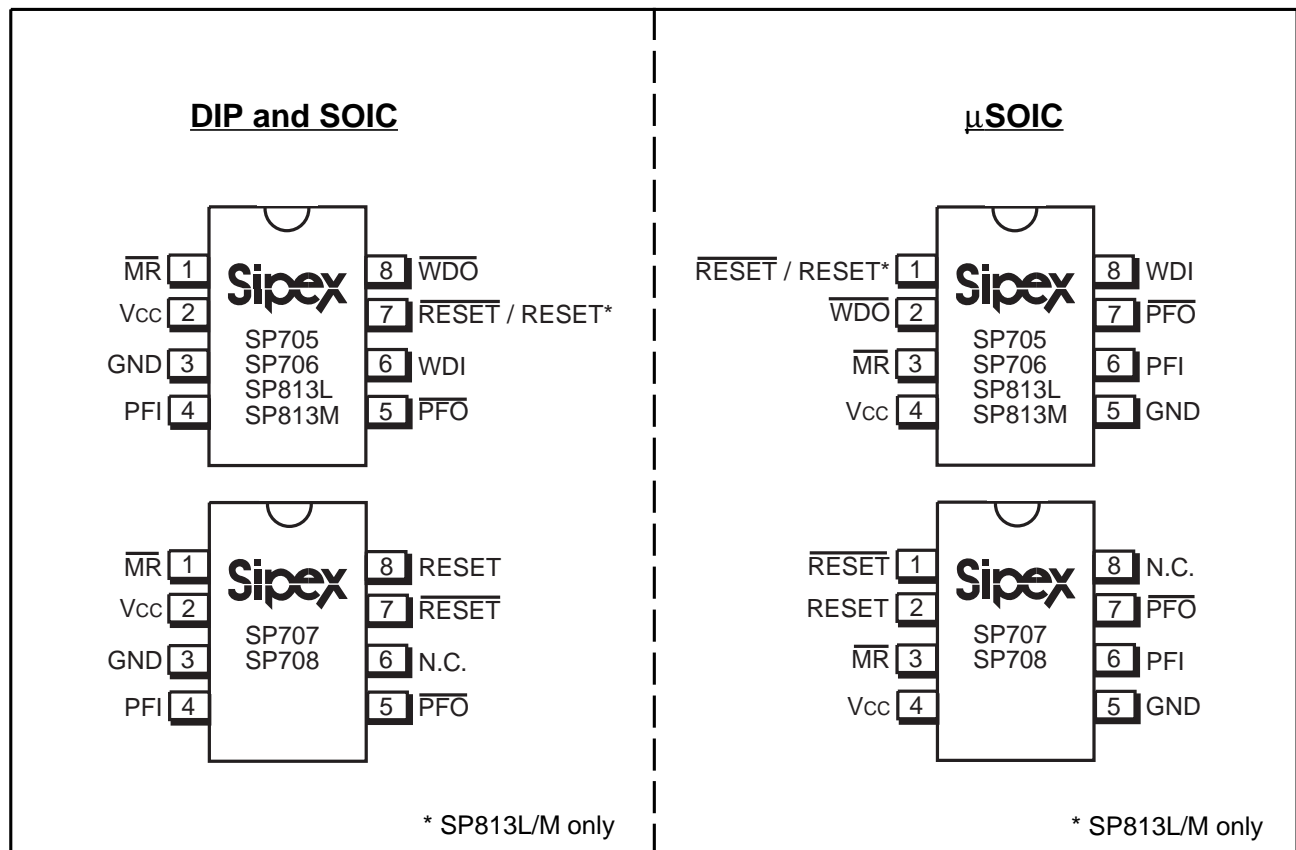


Figure 1. Pinouts

NAME	FUNCTION	PIN DESCRIPTION					
		SP705/706		SP707/708		SP813L/813M	
		DIP/ SOIC	μSOIC	DIP/ SOIC	μSOIC	DIP/ SOIC	μSOIC
$\overline{\text{MR}}$	Manual Reset - This input triggers a reset pulse when pulled below 0.8V. This active-LOW input has an internal 250μA pull-up current. It can be driven from a TTL or CMOS logic line or shorted to ground with a switch	1	3	1	3	1	3
$V_{\text{CC}}$	+5V power supply	2	4	2	4	2	4
GND	Ground reference for all signals	3	5	3	5	3	5
PFI	Power-Fail Input - When this voltage monitor input is less than 1.25V, $\overline{\text{PFO}}$ goes LOW. Connect PFI to ground or $V_{\text{CC}}$ when not in use.	4	6	4	6	4	6
$\overline{\text{PFO}}$	Power-Fail Output - This output is HIGH until PFI is less than 1.25V.	5	7	5	7	5	7
WDI	Watchdog Input - If this input remains HIGH or LOW for 1.6s, the internal watchdog timer times out and $\overline{\text{WDO}}$ goes LOW. Floating WDI or connecting WDI to a high-impedance tri-state buffer disables the watchdog feature. The internal watchdog timer clears whenever $\overline{\text{RESET}}$ is asserted, WDI is tri-stated, or whenever WDI sees a rising or falling edge.	6	8	-	-	6	8
N.C.	No Connect.	-	-	6	8	-	-
$\overline{\text{RESET}}$	Active-LOW $\overline{\text{RESET}}$ Output - This output pulses LOW for 200ms when triggered and stays LOW whenever $V_{\text{CC}}$ is below the reset threshold (4.65V for the SP705/707/813L and 4.40V for the SP706/708). It remains LOW for 200ms after $V_{\text{CC}}$ rises above the reset threshold or $\overline{\text{MR}}$ goes from LOW to HIGH. A watchdog timeout will not trigger $\overline{\text{RESET}}$ unless $\overline{\text{WDO}}$ is connected to $\overline{\text{MR}}$ .	7	1	7	1	-	-
$\overline{\text{WDO}}$	Watchdog Output - This output pulls LOW when the internal watchdog timer finishes its 1.6s count and does not go HIGH again until the watchdog is cleared. $\overline{\text{WDO}}$ also goes LOW during low-line conditions. Whenever $V_{\text{CC}}$ is below the reset threshold, $\overline{\text{WDO}}$ stays LOW. However, unlike $\overline{\text{RESET}}$ , $\overline{\text{WDO}}$ does not have a minimum pulse width. As soon as $V_{\text{CC}}$ is above the reset threshold, $\overline{\text{WDO}}$ goes HIGH with no delay.	8	2	-	-	8	2
RESET	Active-HIGH RESET Output - This output is the complement of $\overline{\text{RESET}}$ . Whenever $\overline{\text{RESET}}$ is HIGH, RESET is LOW, and vice versa. Note the SP813L/813M has a reset output only.	-	-	8	2	7	1

Table 1. Device Pin Description

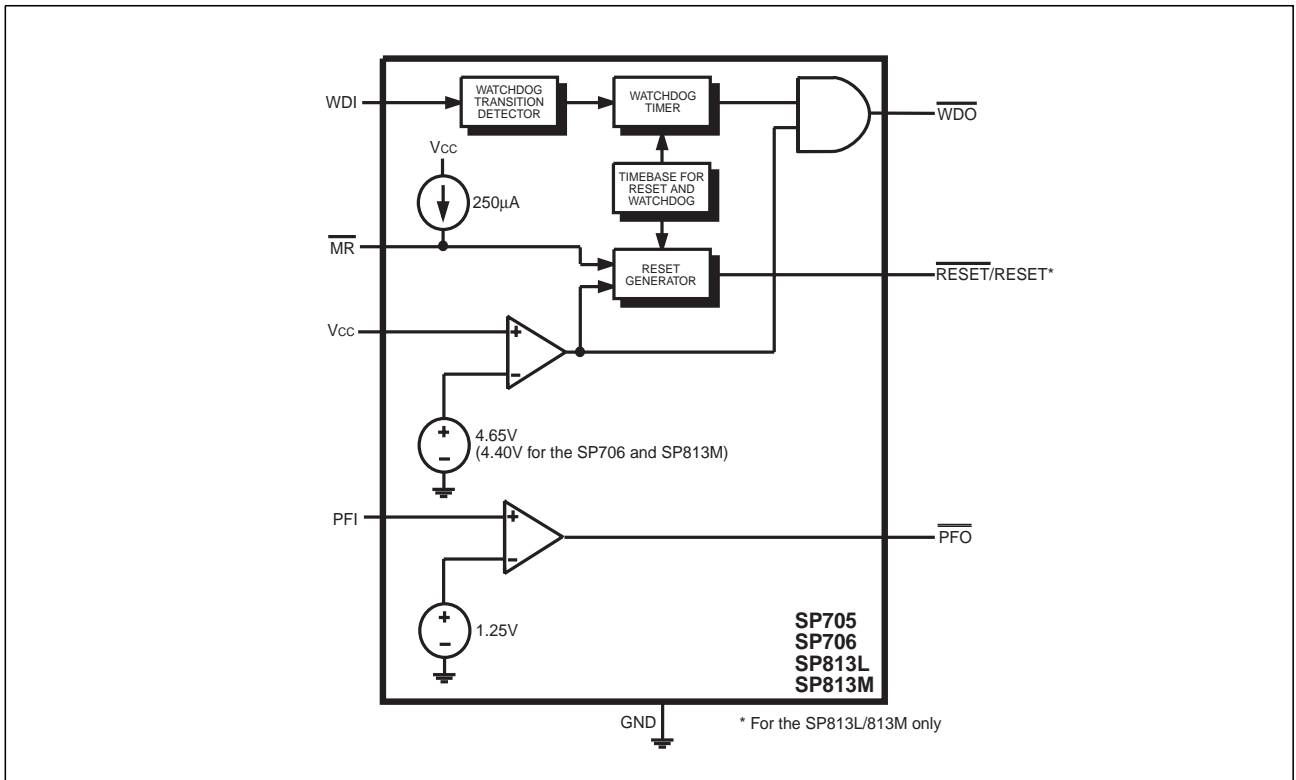


Figure 2. Internal Block Diagram for the SP705/706/813L/813M

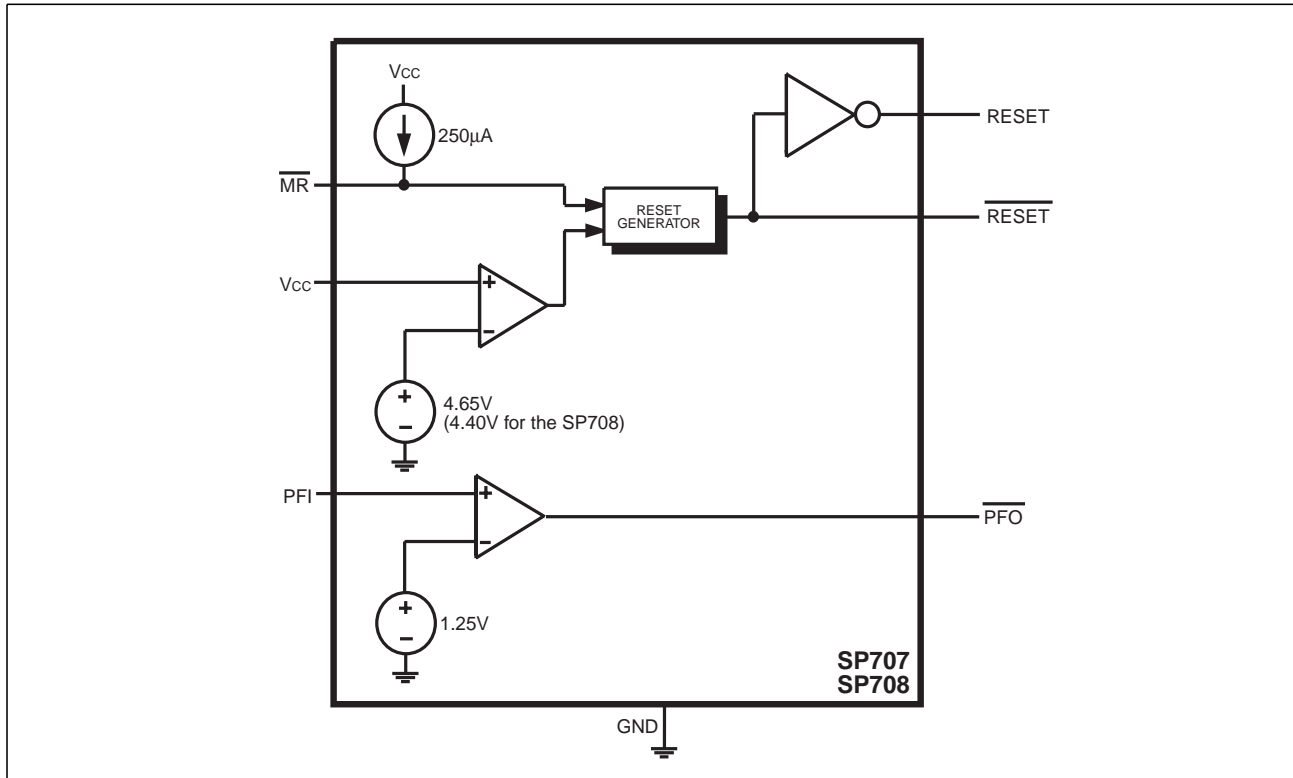


Figure 3. Internal Block Diagram for the SP707/708

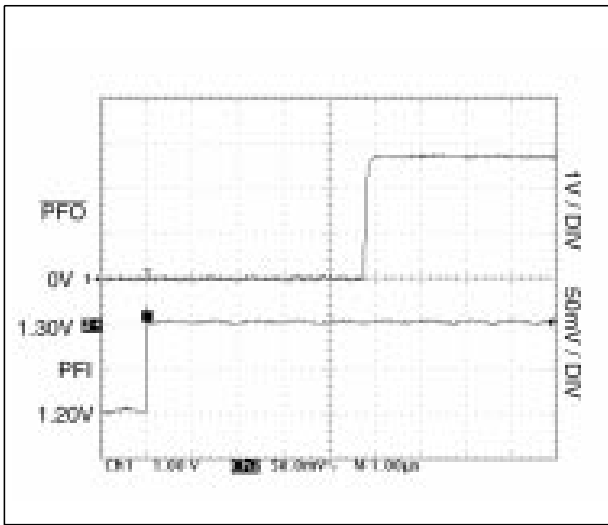


Figure 4A. Power-Fail Comparator De-assertion Response Time.

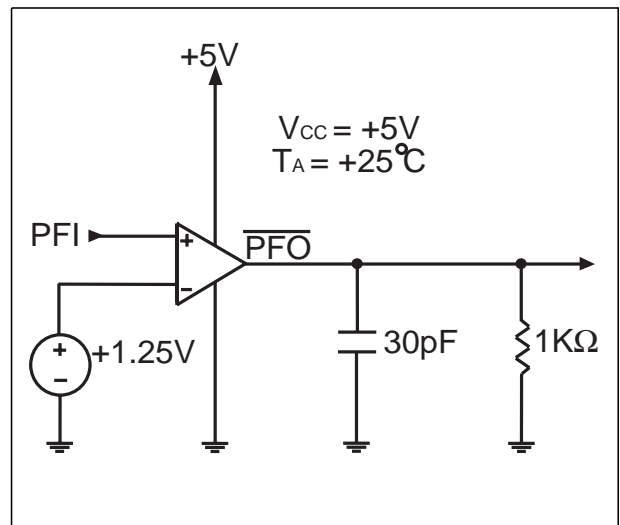


Figure 4B. Circuit for the Power-Fail Comparator De-assertion Response Time.

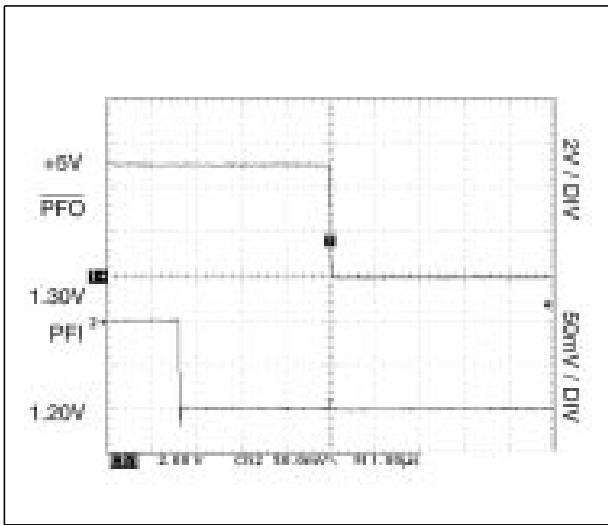


Figure 5A. Power-Fail Comparator Assertion Response Time.

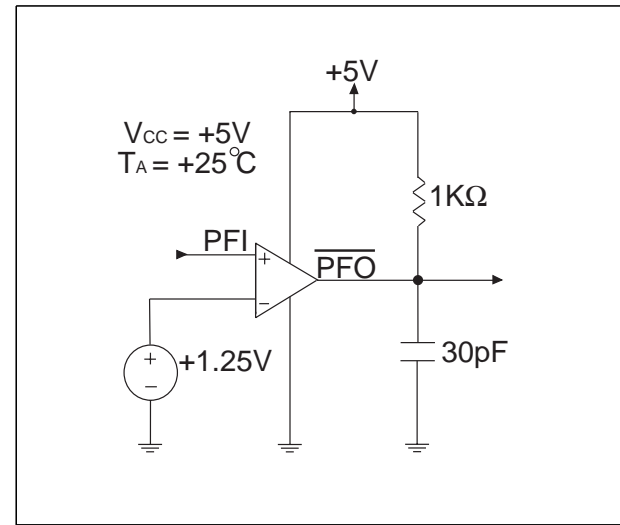


Figure 5B. Circuit for the Power-Fail Comparator Assertion Response Time.

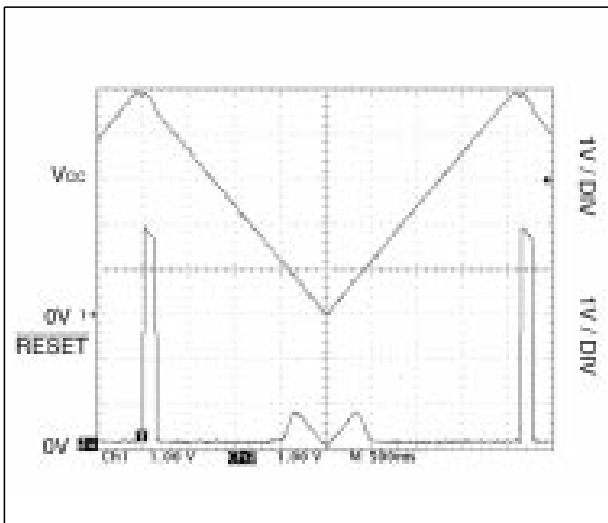


Figure 6A. SP705/707  $\overline{\text{RESET}}$  Output Voltage vs. Supply Voltage.

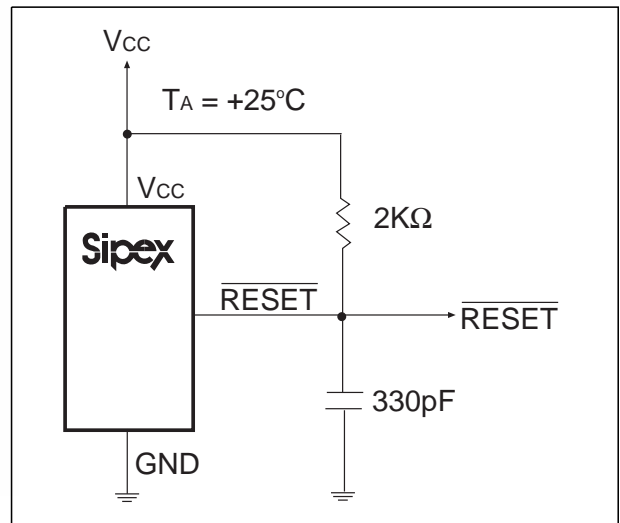


Figure 6B. Circuit for the SP705/707  $\overline{\text{RESET}}$  Output Voltage vs. Supply Voltage.

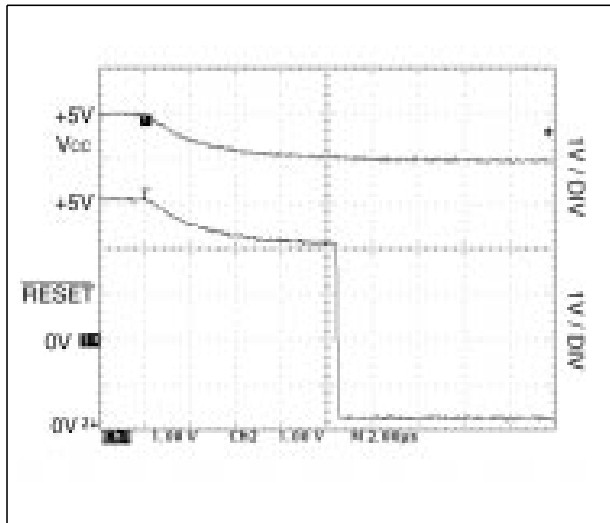


Figure 7A. SP705/707  $\overline{\text{RESET}}$  Response Time

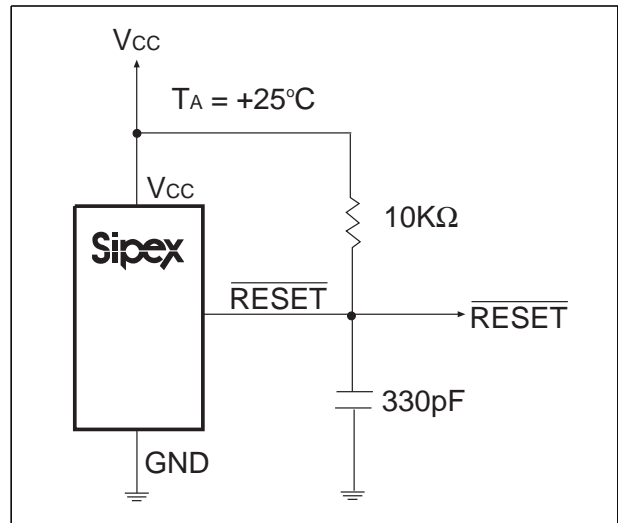


Figure 7B. Circuit for the SP705/707  $\overline{\text{RESET}}$  Response Time

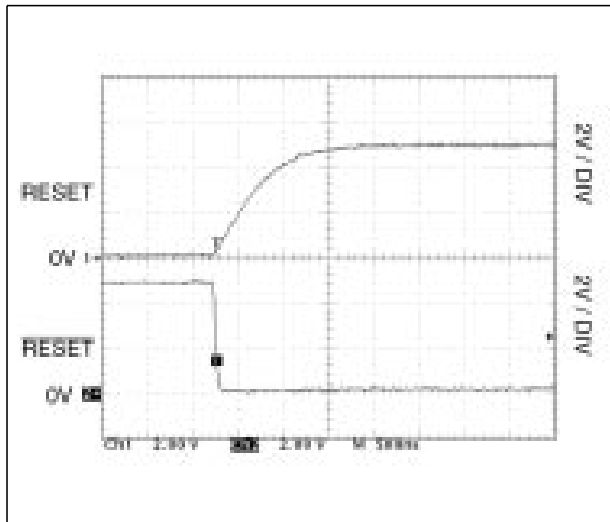


Figure 8. SP707  $\overline{\text{RESET}}$  and  $\overline{\text{RESET}}$  Assertion

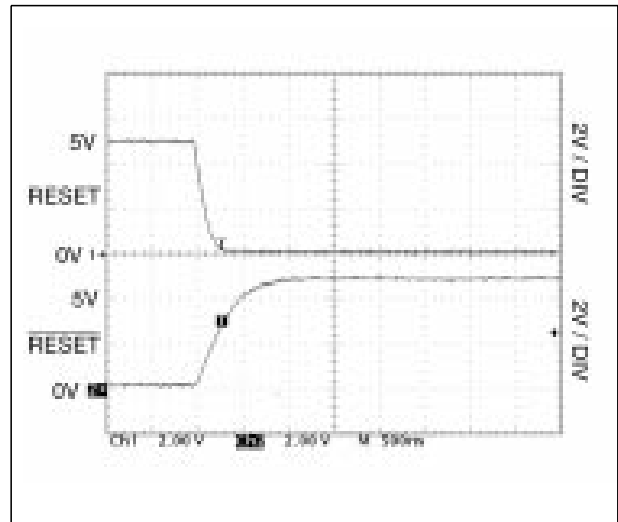


Figure 9. SP707  $\overline{\text{RESET}}$  and  $\overline{\text{RESET}}$  De-Assertion

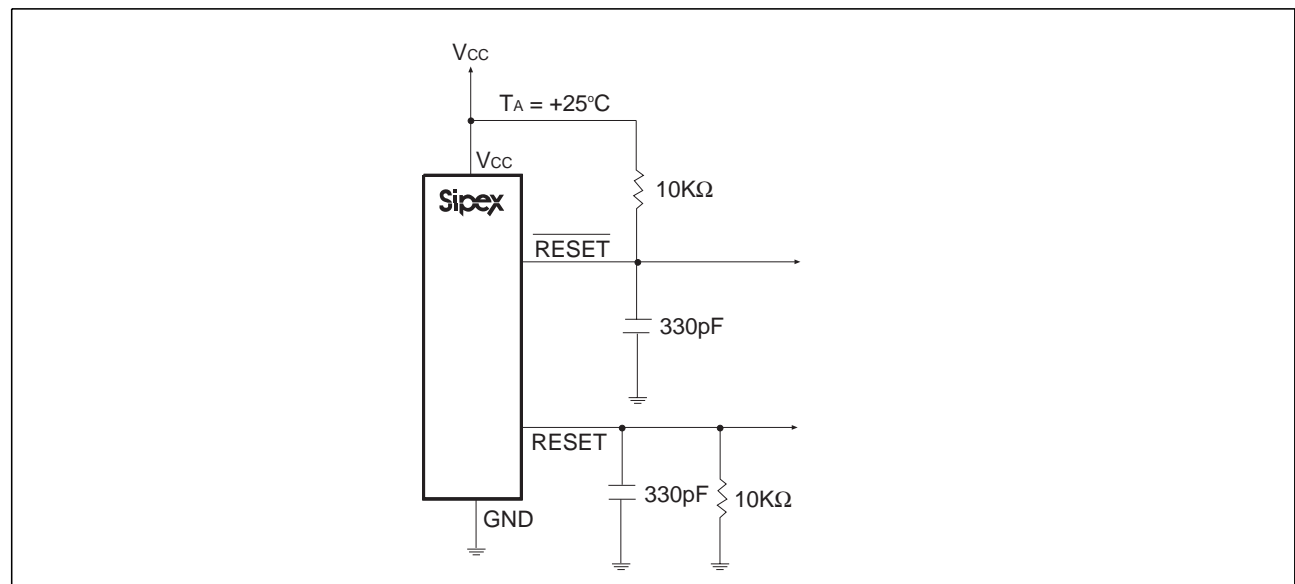


Figure 10. Circuit for the SP707  $\overline{\text{RESET}}$  and  $\overline{\text{RESET}}$  Assertion and De-Assertion

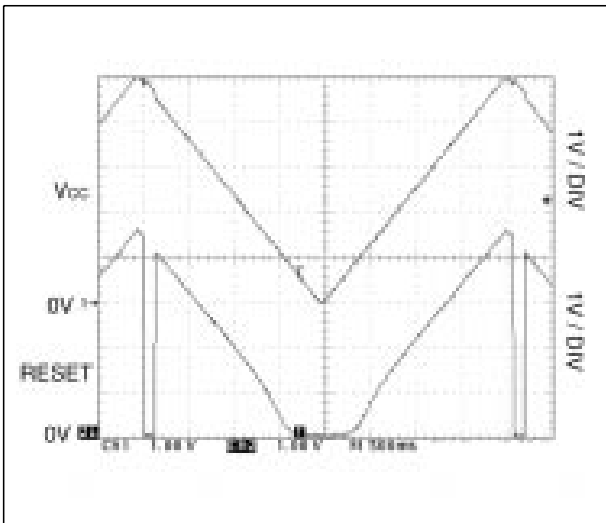


Figure 11. SP707/708/813L/813M RESET Output Voltage vs. Supply Voltage

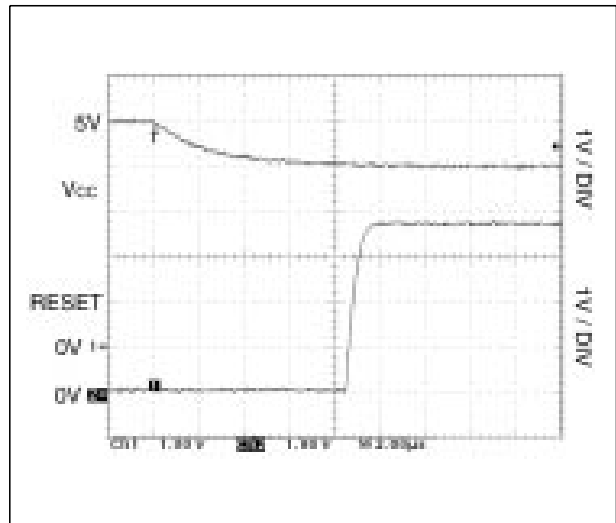


Figure 12. SP813L/813M RESET Response Time

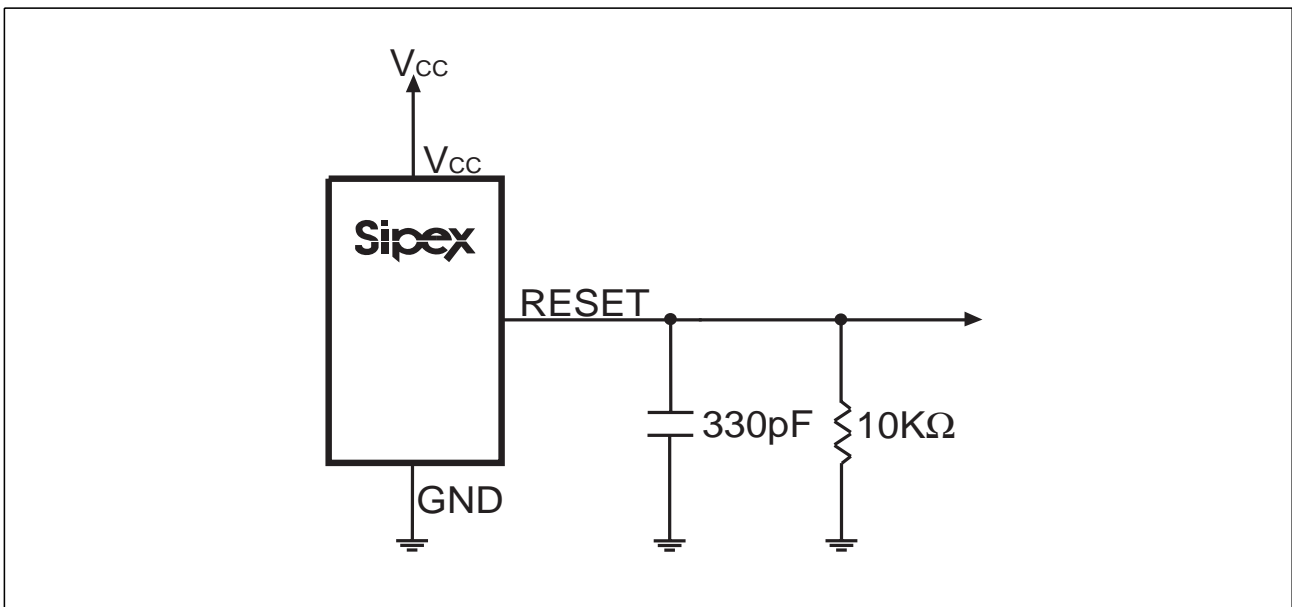


Figure 13. Circuit for the SP707/708/813L/813M RESET Output Voltage vs. Supply Voltage and the SP813L/813M RESET Response Time



## FEATURES

The **SP705-708/813L/813M** series provides four key functions:

1. A reset output during power-up, power-down and brownout conditions.
2. An independent watchdog output that goes LOW if the watchdog input has not been toggled within 1.6 seconds.
3. A 1.25V threshold detector for power-fail warning, low battery detection, or monitoring a power supply other than +5V.
4. An active-LOW manual-reset that allows RESET to be triggered by a pushbutton switch.

The **SP707/708** devices are the same as the **SP705/706** devices except for the active-HIGH RESET substitution of the watchdog timer. The **SP813L** is the same as the **SP705** except an active-HIGH RESET is provided rather than an active-LOW RESET. The **SP705/707/813L** devices generate a reset when the supply voltage drops below 4.65V. The **SP706/708/813M** devices generate a reset below 4.40V.

The **SP705-708/813L/813M** series is ideally suited for applications in automotive systems, intelligent instruments, and battery-powered computers and controllers. The **SP705-708/813L/813M** series is ideally applied in environments where monitoring of power supply to a  $\mu\text{P}$  and its related components is critical.

## THEORY OF OPERATION

The **SP705-708/813L/813M** series is a microprocessor ( $\mu\text{P}$ ) supervisory circuit that monitors the power supplied to digital circuits such as microprocessors, microcontrollers, or memory. The series is an ideal solution for portable, battery-powered equipment that requires power supply monitoring. Implementing this series will reduce the number of components and overall complexity. The watchdog functions of this product family will continuously oversee the operational status of a system. The operational features and benefits of the **SP705-708/813L/813M** series are described in more detail below.

## RESET Output

A microprocessor's reset input starts the  $\mu\text{P}$  in a known state. The **SP705-708/813L/813M** series asserts reset during power-up and prevents code execution errors during power-down or brownout conditions.

On power-up, once  $V_{\text{CC}}$  reaches 1V,  $\overline{\text{RESET}}$  is a guaranteed logic LOW of 0.4V or less. As  $V_{\text{CC}}$  rises,  $\overline{\text{RESET}}$  stays LOW. When  $V_{\text{CC}}$  rises above the reset threshold, an internal timer releases  $\overline{\text{RESET}}$  after 200ms.  $\overline{\text{RESET}}$  pulses LOW whenever  $V_{\text{CC}}$  dips below the reset threshold, such as in a brownout condition. When a brownout condition occurs in the middle of a previously initiated reset pulse, the pulse continues for at least another 140ms. On power-down, once  $V_{\text{CC}}$  falls below the reset threshold,  $\overline{\text{RESET}}$  stays LOW and is guaranteed to be 0.4V or less until  $V_{\text{CC}}$  drops below 1V.

The **SP707/708/813L/813M** active-HIGH RESET output is simply the complement of the  $\overline{\text{RESET}}$  output and is guaranteed to be valid with  $V_{\text{CC}}$  down to 1.1V. Some  $\mu\text{Ps}$ , such as Intel's 80C51, require an active-HIGH reset pulse.

## Watchdog Timer

The **SP705/706/813L/813M** watchdog circuit monitors the  $\mu\text{P}$ 's activity. If the  $\mu\text{P}$  does not toggle the watchdog input (WDI) within 1.6 seconds and WDI is not tri-stated,  $\overline{\text{WDO}}$  goes LOW. As long as  $\overline{\text{RESET}}$  is asserted or the WDI input is tri-stated, the watchdog timer will stay cleared and will not count. As soon as  $\overline{\text{RESET}}$  is released and WDI is driven HIGH or LOW, the timer will start counting. Pulses as short as 50ns can be detected.

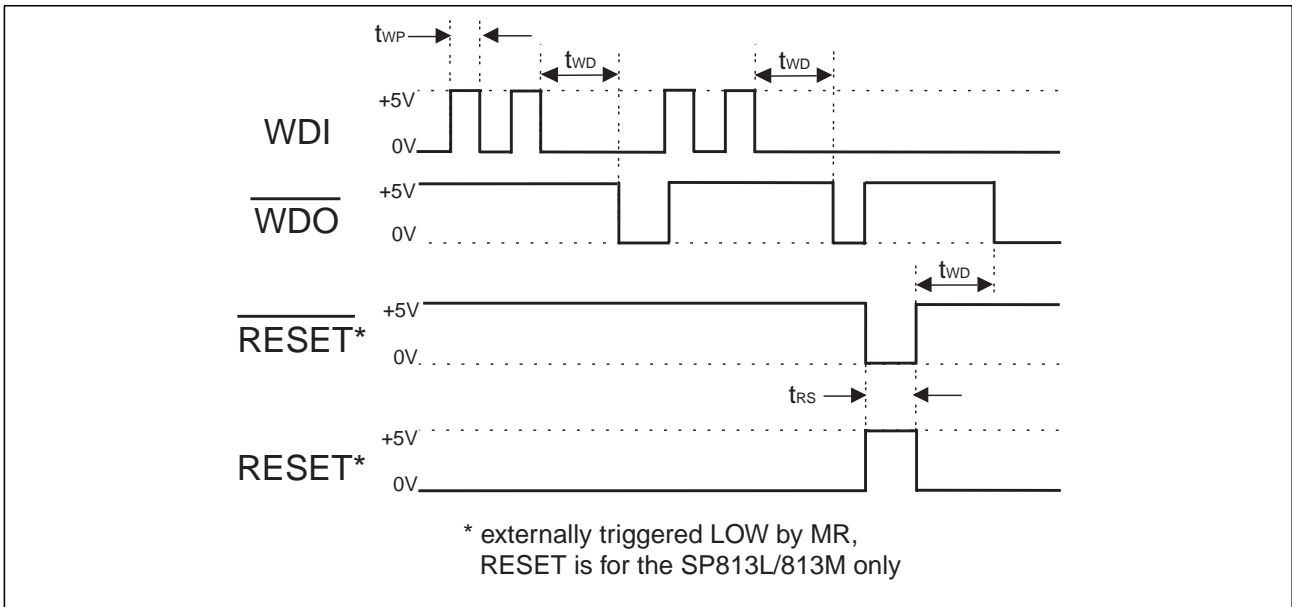


Figure 14. SP705/706/813L/813M Watchdog Timing Waveforms

Typically,  $\overline{WDO}$  will be connected to the non-maskable interrupt input (NMI) of a  $\mu\text{P}$ . When  $V_{CC}$  drops below the reset threshold,  $\overline{WDO}$  will go LOW whether or not the watchdog timer has timed out. Normally this would trigger an NMI but  $\overline{RESET}$  goes LOW simultaneously, and thus overrides the NMI.

If  $\overline{WDI}$  is left unconnected,  $\overline{WDO}$  can be used as a low-line output. Since floating  $\overline{WDI}$  disables the internal timer,  $\overline{WDO}$  goes LOW only when  $V_{CC}$  falls below the reset threshold, thus functioning as a low-line output.

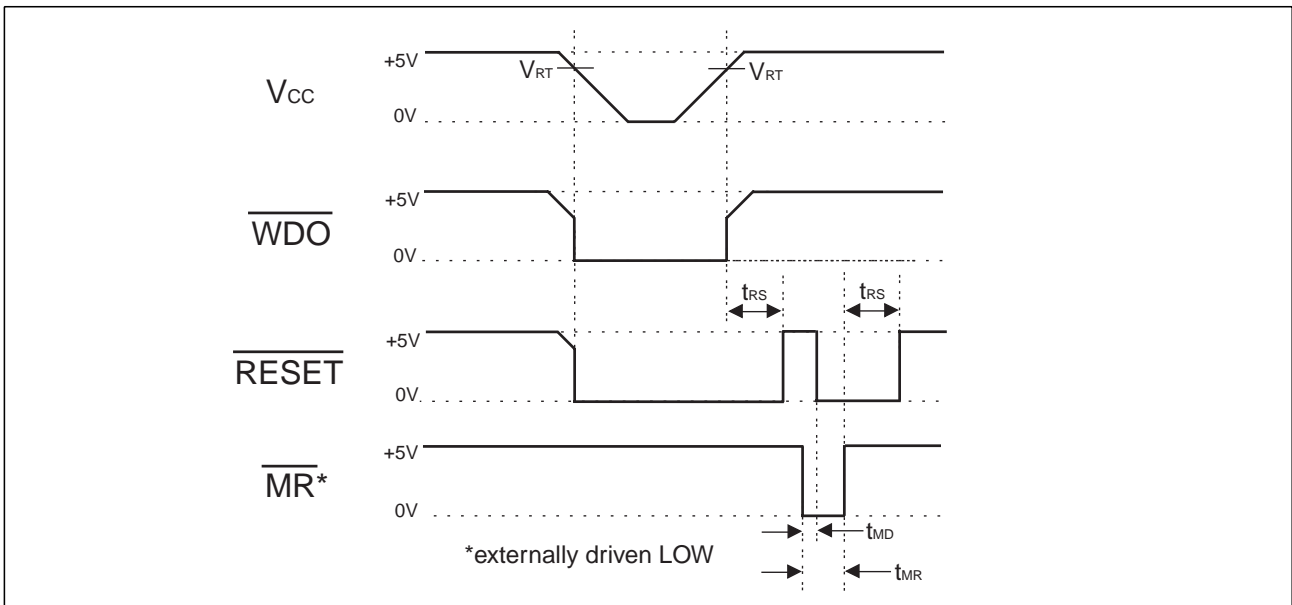


Figure 15. SP705/706 Timing Diagrams with  $\overline{WDI}$  Tri-stated. The SP707/708/813L/813M  $\overline{RESET}$  Output is the Inverse of the  $\overline{RESET}$  Waveform Shown.

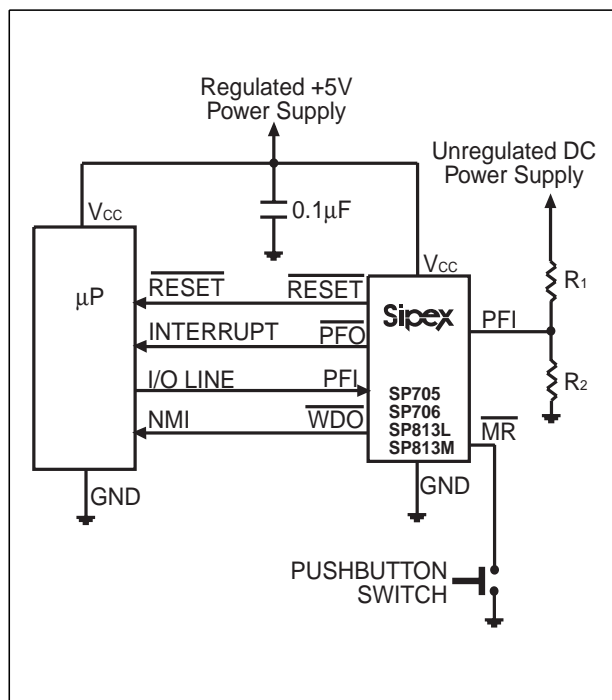
## Power-Fail Comparator

The power-fail comparator can be used for various purposes because its output and noninverting input are not internally connected. The inverting input is internally connected to a 1.25V reference.

To build an early-warning circuit for power failure, connect the PFI pin to a voltage divider as shown in *Figure 16*. Choose the voltage divider ratio so that the voltage at PFI falls below 1.25V just before the +5V regulator drops out. Use  $\overline{\text{PFO}}$  to interrupt the  $\mu\text{P}$  so it can prepare for an orderly power-down.

## Manual Reset

The manual-reset input ( $\overline{\text{MR}}$ ) allows RESET to be triggered by a pushbutton switch. The switch is effectively debounced by the 140ms minimum RESET pulse width.  $\overline{\text{MR}}$  is TTL/CMOS logic compatible, so it can be driven by an external logic line.  $\overline{\text{MR}}$  can be used to force a watchdog timeout to generate a RESET pulse in the **SP705/706/813L/813M**. Simply connect  $\overline{\text{WDO}}$  to  $\overline{\text{MR}}$ .



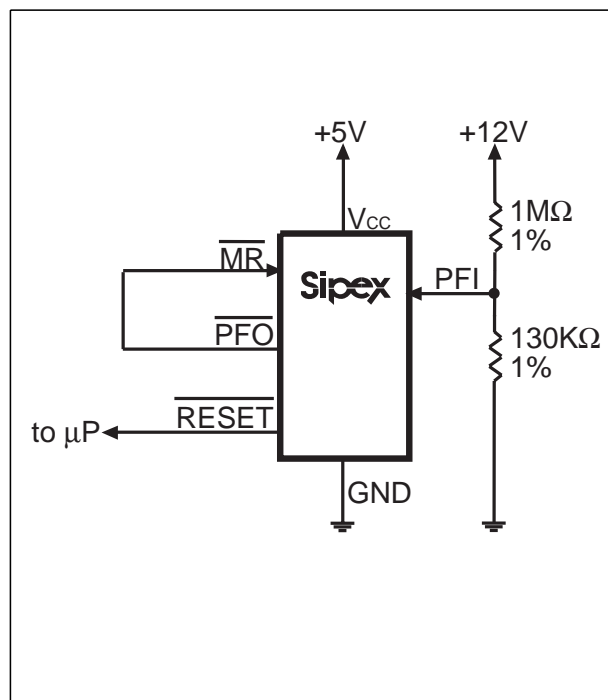
*Figure 16. Typical Operating Circuit*

## Ensuring a Valid $\overline{\text{RESET}}$ Output Down to $V_{\text{CC}} = 0\text{V}$

When  $V_{\text{CC}}$  falls below 1V, the **SP705/706/707/708**  $\overline{\text{RESET}}$  output no longer sinks current, it becomes an open circuit. High-impedance CMOS logic inputs can drift to undetermined voltages if left undriven. If a pull-down resistor is added to the  $\overline{\text{RESET}}$  pin, any stray charge or leakage currents will be shunted to ground, holding  $\overline{\text{RESET}}$  LOW. The resistor value is not critical. It should be about 100K $\Omega$ , large enough not to load  $\overline{\text{RESET}}$  and small enough to pull  $\overline{\text{RESET}}$  to ground.

## Monitoring Voltages Other Than the Unregulated DC Input

Monitor voltages other than the unregulated DC by connecting a voltage divider to PFI and adjusting the ratio appropriately. If required, add hysteresis by connecting a resistor (with a value approximately 10 times the sum of the two resistors in the potential divider network) between PFI and  $\overline{\text{PFO}}$ . A capacitor between PFI and GND will reduce the power-fail circuit's

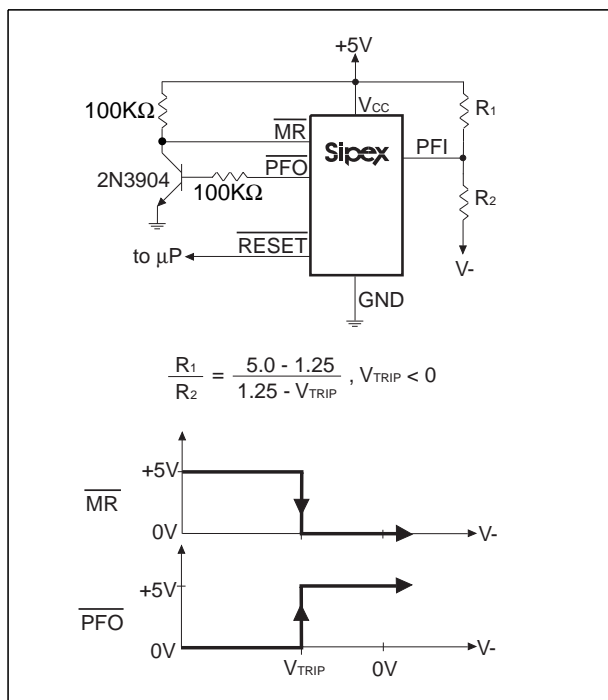


*Figure 17. Monitoring Both +5V and +12V Power Supplies*

sensitivity to high-frequency noise on the line being monitored.  $\overline{\text{RESET}}$  can be used to monitor voltages other than the +5V  $V_{CC}$  line. Connect  $\overline{\text{PFO}}$  to  $\overline{\text{MR}}$  to initiate a  $\overline{\text{RESET}}$  pulse when PFI drops below 1.25V. *Figure 17* shows the **SP705/706/707/708** configured to assert  $\overline{\text{RESET}}$  when the +5V supply falls below the RESET threshold, or when the +12V supply falls below approximately 11V.

### Monitoring a Negative Voltage Supply

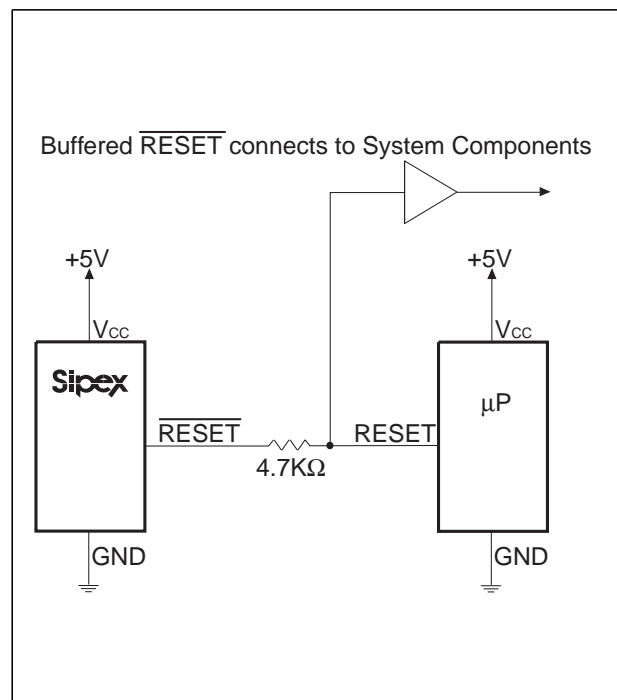
The power-fail comparator can also monitor a negative supply rail, shown in *Figure 18*. When the negative rail is good (a negative voltage of large magnitude),  $\overline{\text{PFO}}$  is LOW. By adding the resistors and transistor as shown, a HIGH  $\overline{\text{PFO}}$  triggers  $\overline{\text{RESET}}$ . As long as  $\overline{\text{PFO}}$  remains HIGH, the **SP705-708/813L/813M** will keep  $\overline{\text{RESET}}$  asserted (where  $\overline{\text{RESET}} = \text{LOW}$  and  $\text{RESET} = \text{HIGH}$ ). Note that this circuit's accuracy depends on the PFI threshold tolerance, the  $V_{CC}$  line, and the resistors.



**Figure 18. Monitoring a Negative Voltage Supply**

### Interfacing to $\mu\text{Ps}$ with Bidirectional $\overline{\text{RESET}}$ Pins

$\mu\text{Ps}$  with bidirectional  $\overline{\text{RESET}}$  pins, such as the Motorola 68HC11 series, can contend with the **SP705/706/707/708**  $\overline{\text{RESET}}$  output. If, for example, the  $\overline{\text{RESET}}$  output is driven HIGH and the  $\mu\text{P}$  wants to pull it LOW, indeterminate logic levels may result. To correct this, connect a 4.7K $\Omega$  resistor between the  $\overline{\text{RESET}}$  output and the  $\mu\text{P}$  reset I/O, as shown in *Figure 19*. Buffer the  $\overline{\text{RESET}}$  output to other system components.



**Figure 19. Interfacing to Microprocessors with Bidirectional  $\overline{\text{RESET}}$  I/O for the SP705/706/707/708**

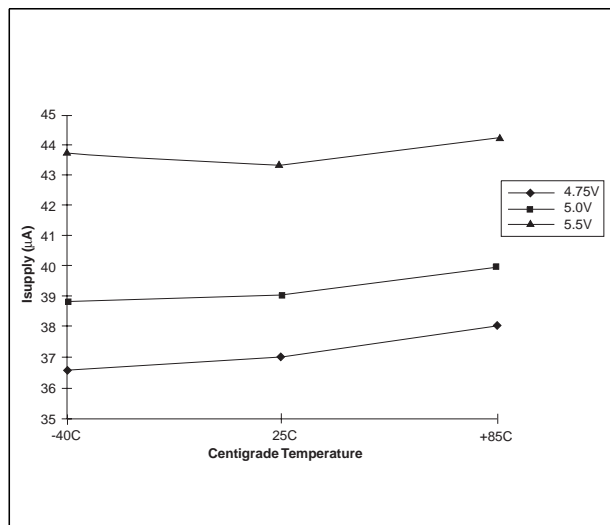


Figure 20. Supply Current vs. Temperature

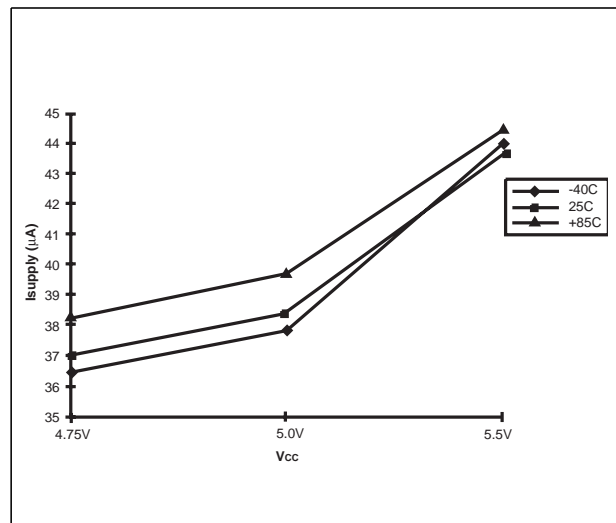


Figure 21. Supply Current vs. Supply Voltage

## Applications

The **SP705-708/813L/813M** series offers unmatched performance and the lowest power consumption for these industry standard devices. Refer to *Figures 20* and *21* for supply current performance characteristics rated against temperature and supply voltages.

*Table 2* shows how the **SP705-708/813L/813M** series can be used instead of the Dallas Semiconductor DS1232LP/LPS. *Table 2* illustrates to a designer the advantages and trade-offs of the **SP705-708/813L/813M** series compared to the Dallas Semiconductor device. While the names of the pin descriptions may differ, the functions are the same or very similar.

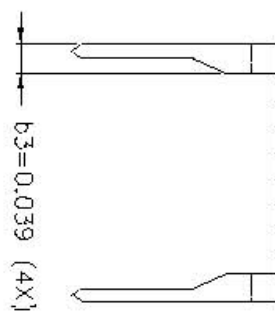
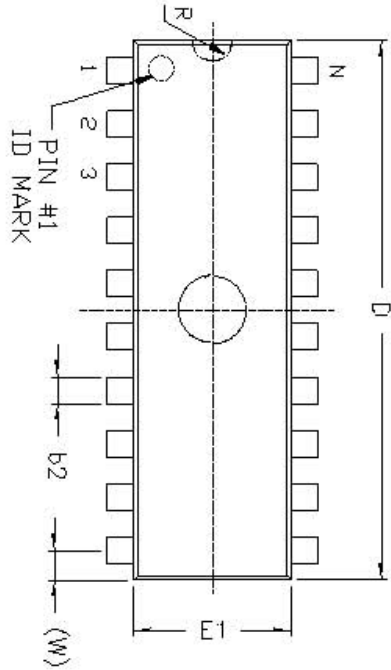
Unlike the DS1232, the **SP705-708/813L/813M** series has a separate watchdog output pin WDO which can be simply connected to the MR input to generate a Reset signal. The DS1232 has pin selectable features, while the **SP705-708/813L/813M** series has more fixed functions of reset threshold and watchdog time-out delay. For most applications, the fixed functions will be preferred, with the benefit of reduced cost due to a less complex part. In addition, the **SP705-708/813L/813M** series has a power fail input and output function not available with the DS1232 that is useful for monitoring systems with unregulated supply voltages. The **SP705-708/813L/813M** series is available in one of the industry's smallest space-saving package sizes, the  $\mu$ SOIC.

Function	Dallas DS1232LP/LPS		Sipex Alternative Part Number			
	Pin Number DIP or SOIC	Pin Description	Sipex Part Number	Pin Number		Pin Description
				DIP or SOIC	μSOIC	
Manual Reset	1	$\overline{\text{PBRST}}$	<b>SP705-708/ 813L/813M</b>	1	3	$\overline{\text{MR}}$
WDI Time Delay Set	2	TD	<b>SP705-708/ 813L/813M</b>	N/A	N/A	1.6sec by design
V <sub>CC</sub> Trip 4.6V	3	TOL=GND	<b>SP705/707/ 813L</b>	N/A	N/A	4.6V by design
V <sub>CC</sub> Trip 4.4V	3	TOL=V <sub>CC</sub>	<b>SP706/708/ 813M</b>	N/A	N/A	4.4V by design
Ground	4	GND	<b>SP705-708/ 813L/813M</b>	3	5	GND
Reset Active HIGH	5	RST	<b>SP707/708</b>	8	2	RESET
Reset Active HIGH	5	RST	<b>SP813L/813M</b>	7	1	RESET
Reset Active LOW	6	$\overline{\text{RST}}$	<b>SP705-708</b>	7	1	$\overline{\text{RESET}}$
Watchdog Input	7	$\overline{\text{ST}}$ (H to L)	<b>SP705/706/ 813L/813M</b>	6	8	WDI (any trans.)
Voltage Input	8	V <sub>CC</sub>	<b>SP705-708/ 813L/813M</b>	2	4	V <sub>CC</sub>
Power Fail Input	N/A	N/A	<b>SP705-708/ 813L/813M</b>	4	6	PFI
Power Fail Output	N/A	N/A	<b>SP705-708/ 813L/813M</b>	5	7	$\overline{\text{PFO}}$
Watchdog Output	N/A	N/A	<b>SP705/706/ 813L/813M</b>	8	2	$\overline{\text{WDO}}$

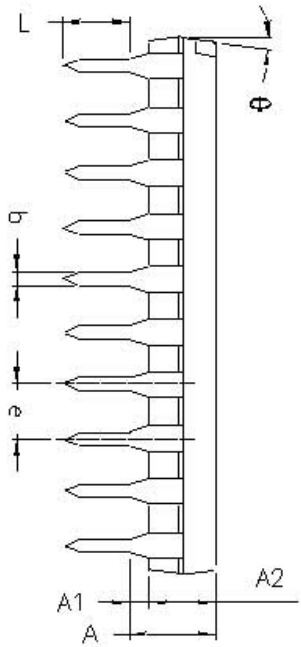
**Table 2. Device Overview on Dallas Semiconductor**

REVISION HISTORY			
REV.	DESCRIPTION	DATE	APPR.
A	DRAWING ORIGINATOR	04/26/06	JL

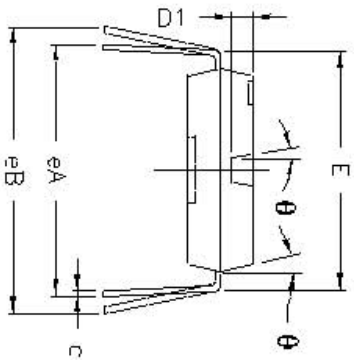
REMARKS:  
FOR 8LD AND 16LD  
ALL LEADS (4X)  
ARE HALF LEAD TYPES



Top View



Side View



Front View

8 Pin PDIP JEDEC MS-001 Variation BA		DIMENSIONS IN INCH (Control Unit)		DIMENSIONS IN MM (Reference Unit)	
SYMBOLS	MIN	NOM	MAX	MIN	MAX
A	—	—	0.210	—	5.33
A1	0.015	—	—	0.38	—
A2	0.115	0.130	0.195	2.92	3.30
b	0.014	0.018	0.022	0.36	0.56
b2	0.045	0.060	0.070	1.14	1.78
c	0.008	0.010	0.014	0.20	0.36
D1	0.030	—	0.060	0.76	1.52
E	0.300	0.310	0.325	7.62	8.26
E1	0.240	0.250	0.280	6.10	7.11
e	—	0.100 BSC	—	2.54 BSC	—
eA	—	0.300 BSC	—	7.62 BSC	—
eB	—	—	0.430	—	10.92
L	0.115	0.130	0.150	2.92	3.81
W	—	0.075 REF	—	1.91 REF	—
R	—	0.030 BSC	—	0.76 BSC	—
theta	4°	7°	10°	4°	7°
D	0.355	0.365	0.400	9.02	10.16
N	—	8	—	8	—

**Sipex** Solved by

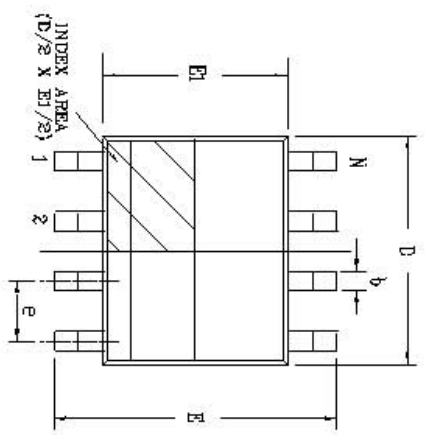
**SIPEX CORPORATION**

8 PIN PDIP PACKAGE OUTLINE

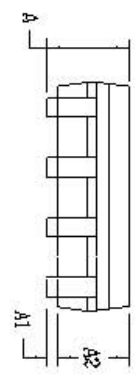
By: JL	Date: 04/26/06	Drawing No.: 8-PIN PDIP	Revision: A	Sheet: 1 OF 1
--------	----------------	-------------------------	-------------	---------------

Packaging Approval

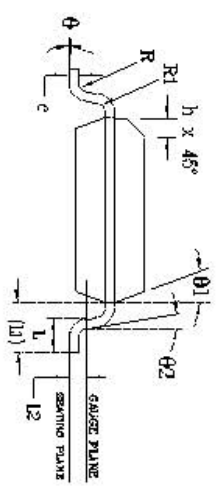
REVISION HISTORY			
REV.	DESCRIPTION	DATE	APP'D
A	DRAWING ORIGINATOR	08/16/05	JL
B	DRAWING FORMAT MODIFICATION	07/19/06	JL



Top View



Side View



Front View

SYMBOLS	JEDEC MS-012			Variation AA		
	DIMENSIONS IN MM (Control Unit)			DIMENSIONS IN INCH (Reference Unit)		
	MIN	NOM	MAX	MIN	NOM	MAX
A	1.35	—	1.75	0.053	—	0.069
A1	0.10	—	0.25	0.004	—	0.010
A2	1.25	—	1.65	0.049	—	0.065
b	0.31	—	0.51	0.012	—	0.020
c	0.17	—	0.25	0.007	—	0.010
E	6.00	BSC	—	0.236	BSC	—
E1	3.90	BSC	—	0.154	BSC	—
e	1.27	BSC	—	0.050	BSC	—
h	0.25	—	0.50	0.010	—	0.020
L	0.40	—	1.27	0.016	—	0.050
L1	1.04	REF	—	0.041	REF	—
L2	0.25	BSC	—	0.010	BSC	—
R	0.07	—	—	0.003	—	—
R1	0.07	—	—	0.003	—	—
θ	0°	—	8°	0°	—	8°
θ1	5°	—	15°	5°	—	15°
θ2	0°	—	—	0°	—	—
D	4.90	BSC	—	0.193	BSC	—
N	8			8		

**SIPLEX CORPORATION**

8 PIN SOICN PACKAGE OUTLINE

Packaging Approval: **Sipex** Solved by

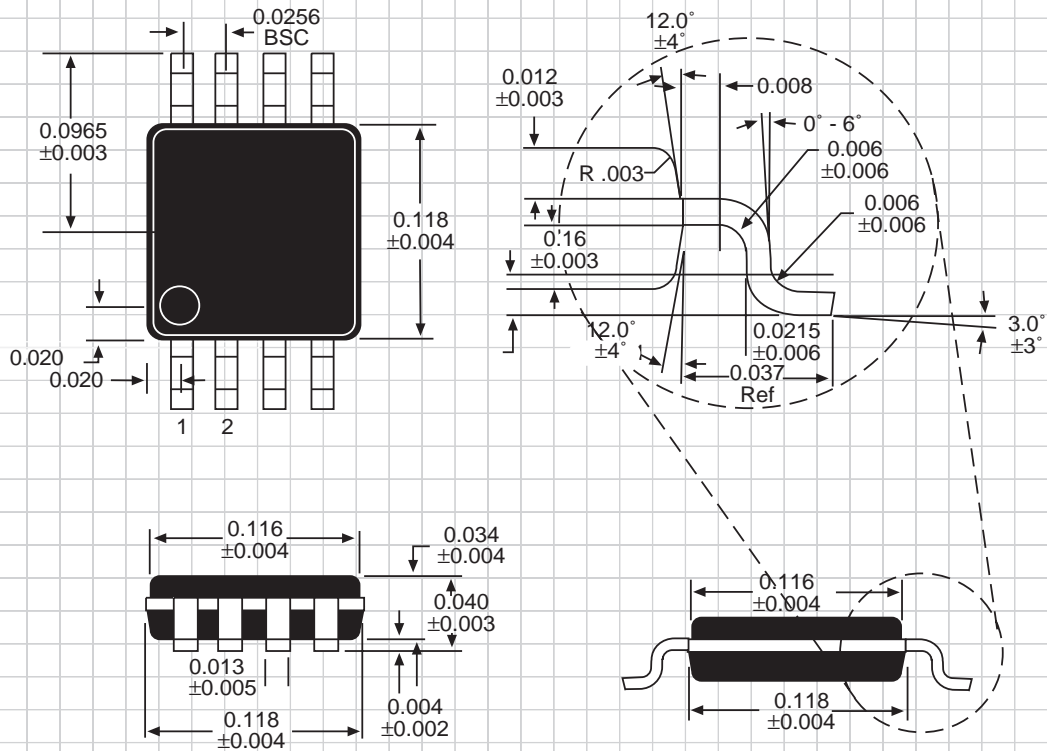
Drawing No: 8-PIN SOICN

Revision: B Sheet: 1 OF 1

By: JL Date: 07/19/06



# PACKAGE: PLASTIC MICRO SMALL OUTLINE ( $\mu$ SOIC)



All package dimensions in inches



50  $\mu$ SOIC devices per tube

## ORDERING INFORMATION

Model .....	Temperature Range .....	Package .....
SP705CP .....	0°C to +70°C .....	8-pin Plastic DIP .....
SP705CN .....	0°C to +70°C .....	8-pin Narrow SOIC .....
SP705CU .....	0°C to +70°C .....	8-pin $\mu$ SOIC .....
SP705EP .....	-40°C to +85°C .....	8-pin Plastic DIP .....
SP705EN .....	-40°C to +85°C .....	8-pin Narrow SOIC .....
SP705EU .....	-40°C to +85°C .....	8-pin $\mu$ SOIC .....
SP706CP .....	0°C to +70°C .....	8-pin Plastic DIP .....
SP706CN .....	0°C to +70°C .....	8-pin Narrow SOIC .....
SP706CU .....	0°C to +70°C .....	8-pin $\mu$ SOIC .....
SP706EP .....	-40°C to +85°C .....	8-pin Plastic DIP .....
SP706EN .....	-40°C to +85°C .....	8-pin Narrow SOIC .....
SP706EU .....	-40°C to +85°C .....	8-pin $\mu$ SOIC .....
SP707CP .....	0°C to +70°C .....	8-pin Plastic DIP .....
SP707CN .....	0°C to +70°C .....	8-pin Narrow SOIC .....
SP707CU .....	0°C to +70°C .....	8-pin $\mu$ SOIC .....
SP707EP .....	-40°C to +85°C .....	8-pin Plastic DIP .....
SP707EN .....	-40°C to +85°C .....	8-pin Narrow SOIC .....
SP707EU .....	-40°C to +85°C .....	8-pin $\mu$ SOIC .....
SP708CP .....	0°C to +70°C .....	8-pin Plastic DIP .....
SP708CN .....	0°C to +70°C .....	8-pin Narrow SOIC .....
SP708CU .....	0°C to +70°C .....	8-pin $\mu$ SOIC .....
SP708EP .....	-40°C to +85°C .....	8-pin Plastic DIP .....
SP708EN .....	-40°C to +85°C .....	8-pin Narrow SOIC .....
SP708EU .....	-40°C to +85°C .....	8-pin $\mu$ SOIC .....
SP813LCP .....	0°C to +70°C .....	8-pin Plastic DIP .....
SP813LCN .....	0°C to +70°C .....	8-pin Narrow SOIC .....
SP813LCU .....	0°C to +70°C .....	8-pin $\mu$ SOIC .....
SP813LEP .....	-40°C to +85°C .....	8-pin Plastic DIP .....
SP813LEN .....	-40°C to +85°C .....	8-pin Narrow SOIC .....
SP813LEU .....	-40°C to +85°C .....	8-pin $\mu$ SOIC .....
SP813MCP .....	0°C to +70°C .....	8-pin Plastic DIP .....
SP813MCN .....	0°C to +70°C .....	8-pin Narrow SOIC .....
SP813MCU .....	0°C to +70°C .....	8-pin $\mu$ SOIC .....
SP813MEP .....	-40°C to +85°C .....	8-pin Plastic DIP .....
SP813MEN .....	-40°C to +85°C .....	8-pin Narrow SOIC .....
SP813MEU .....	-40°C to +85°C .....	8-pin $\mu$ SOIC .....

Please consult the factory for pricing and availability on a Tape-On-Reel option.



### Sipex Corporation

#### Headquarters and Sales Office

e-mail:  
sales@sipex.com

233 South Hillview Drive  
Milpitas, CA 95035  
TEL: (408) 934-7500  
FAX: (408) 935-7600

Available in lead free packaging. To order, add "-L" suffix to the part number.  
Example: SP813MEU /TR=Tape & Reel. SP813MEU-L/TR = lead free.

Sipex Corporation reserves the right to make changes to any products described herein. Sipex does not assume any liability arising out of the application or use of any product or circuit described hereing; neither does it convey any license under its patent rights nor the rights of others.