

# SC16C2552B

5 V, 3.3 V and 2.5 V dual UART, 5 Mbit/s (max.), with 16-byte FIFOs

Rev. 02 — 13 December 2004

Product data

## 1. Description

The SC16C2552B is a two channel Universal Asynchronous Receiver and Transmitter (UART) used for serial data communications. Its principal function is to convert parallel data into serial data, and vice versa. The UART can handle serial data rates up to 5 Mbit/s.

The SC16C2552B is pin compatible with the PC16C552 and ST16C2552. The SC16C2552B provides enhanced UART functions with 16 byte FIFOs, modem control interface, DMA mode data transfer and concurrent writes to control registers of both channels. The DMA mode data transfer is controlled by the FIFO trigger levels and the  $\overline{\text{RXRDY}}$  and  $\overline{\text{TXRDY}}$  signals. On-board status registers provide the user with error indications and operational status. System interrupts and modem control features may be tailored by software to meet specific user requirements. An internal loop-back capability allows on-board diagnostics. Independent programmable baud rate generators are provided to select transmit and receive baud rates.

The SC16C2552B operates at 5 V, 3.3 V and 2.5 V, and the Industrial temperature range, and is available in a plastic PLCC44 package.

## 2. Features

- Industrial temperature range (−40 °C to +85 °C)
- 5 V, 3.3 V and 2.5 V operation
- Pin-to-pin compatible to PC16C552, ST16C2552
- Up to 5 Mbit/s data rate at 5 V and 3 V, and 3 Mbit/s at 2.5 V
- 16-byte transmit FIFO
- 16-byte receive FIFO with error flags
- Independent transmit and receive UART control
- Four selectable Receive FIFO interrupt trigger levels; fixed XMIT FIFO interrupt trigger level
- Modem control signals ( $\overline{\text{CTS}}$ ,  $\overline{\text{RTS}}$ ,  $\overline{\text{DSR}}$ ,  $\overline{\text{DTR}}$ ,  $\overline{\text{RI}}$ ,  $\overline{\text{CD}}$ )
- DMA operation and DMA monitoring via package I/O pins,  $\overline{\text{TXRDY}}$ / $\overline{\text{RXRDY}}$
- UART internal register sections A and B may be written to concurrently
- Multi-function output allows more package functions with fewer I/O pins
- Programmable character lengths (5, 6, 7, 8), with even, odd, or no parity



**PHILIPS**

### 3. Ordering information

Table 1: Ordering information

| Type number    | Package |                                       | Version  |
|----------------|---------|---------------------------------------|----------|
|                | Name    | Description                           |          |
| SC16C2552BIA44 | PLCC44  | plastic leaded chip carrier; 44 leads | SOT187-2 |

### 4. Block diagram

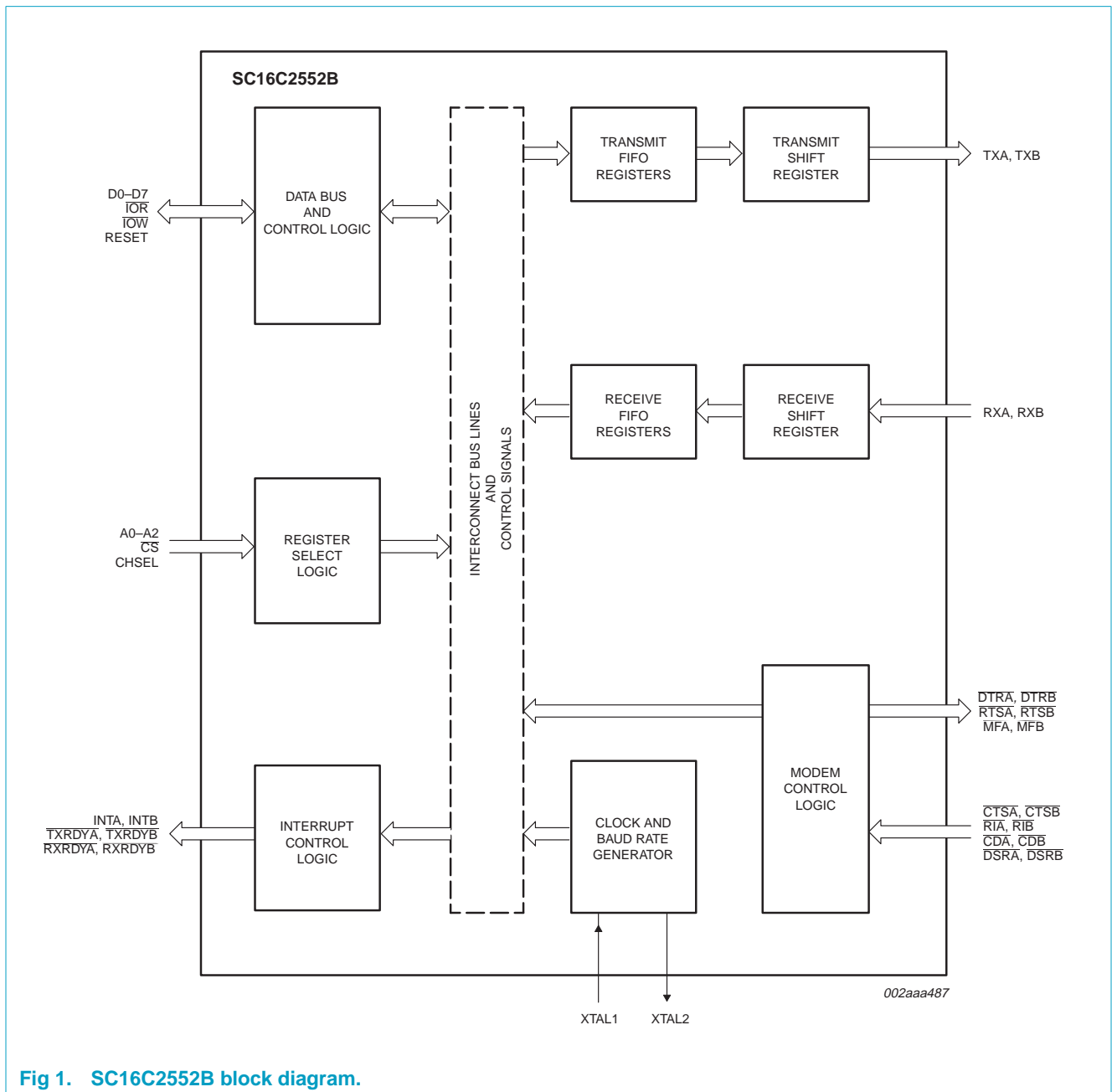


Fig 1. SC16C2552B block diagram.

## 5. Pinning information

### 5.1 Pinning

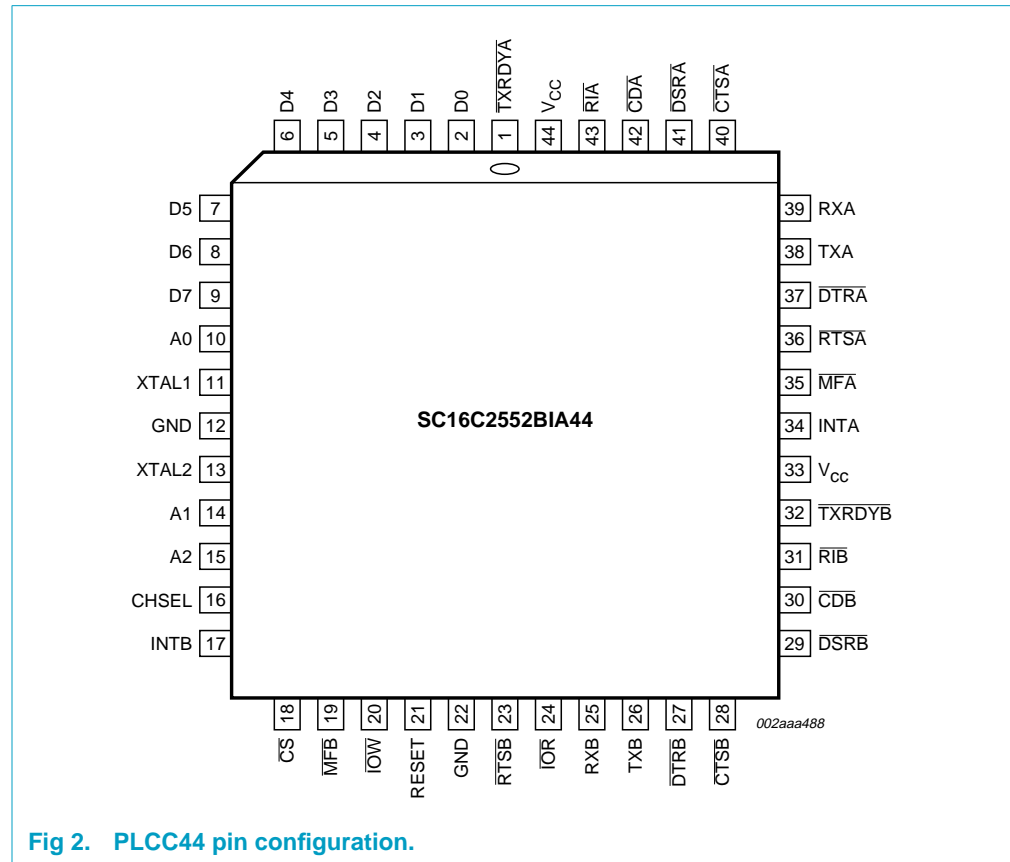


Fig 2. PLCC44 pin configuration.

### 5.2 Pin description

Table 2: Pin description

| Symbol          | Pin        | Type | Description  |
|-----------------|------------|------|--|
| A0-A2           | 10, 14, 15 | I    | <b>Register select.</b> A0-A2 are used during read and write operations to select the UART register to read from or write to.  |
| CHSEL           | 16         | I    | <b>Channel Select.</b> UART channel A or B is selected by the logical state of this pin when the $\overline{CS}$ is a logic 0. A logic 0 on CHSEL selects the UART channel 'B', while a logic 1 selects UART channel 'A'. Bit 0 of AFR register can temporarily override CHSEL function, allowing user to write to both channel registers simultaneously with 1 write cycle. |
| $\overline{CS}$ | 18         | I    | <b>Chip Select (Active-LOW).</b> This function is selects channel 'A' or 'B', in accordance with the logical state of the CHSEL pin. This allows data to be transferred between the user CPU and the SC16C2552B.   |
| D0-D7           | 2-9        | I/O  | <b>Data bus (bi-directional).</b> These pins are the 8-bit, 3-State data bus for transferring information to or from the controlling CPU.  |
| GND             | 12, 22     | I    | <b>Signal and power ground.</b>  |

Table 2: Pin description...continued

| Symbol   | Pin    | Type | Description  |
|--|--------|------|--|
| INTA, INTB   | 34, 17 | O    | <b>Interrupt A, B (Active-HIGH).</b> This function is associated with individual channel interrupts. Interrupts are enabled in the interrupt enable register (IER). Interrupt conditions include: receiver errors, available receiver buffer data, transmit buffer empty, or when a modem status flag is detected.   |
| $\overline{\text{IOR}}$                                    | 24     | I    | <b>Read strobe (Active-LOW).</b> A logic 0 transition on this pin will load the contents of an internal register defined by address bits A0-A2 onto the SC16C2552B data bus (D0-D7) for access by external CPU.  |
| $\overline{\text{IOW}}$                                    | 20     | I    | <b>Write strobe (Active-LOW).</b> A logic 0 transition on this pin will transfer the contents of the data bus (D0-D7) from the external CPU to an internal register that is defined by address bits A0-A2.   |
| MFA, MFB   | 35, 19 | O    | <b>Multi-Function A, B.</b> This function is associated with an individual channel function, 'A' or 'B'. User programmable bits 1-2 of the Alternate Function Register (AFR), selects a signal function or output on these pins. $\overline{\text{OP2}}$ (interrupt enable), $\overline{\text{BAUDOUT}}$ , and $\overline{\text{RXRDY}}$ are signal functions that may be selected by the AFR. These signal functions are described as follows:<br><p><b><math>\overline{\text{OP2}}</math>.</b> When <math>\overline{\text{OP2}}</math> is selected, the MF pin is a logic 0 when MCR[3] is set to a logic 1. A logic 1 is the default signal condition that is available following a master reset or power-up.</p> <p><b><math>\overline{\text{BAUDOUT}}</math>.</b> When <math>\overline{\text{BAUDOUT}}</math> function is selected, the 16x baud rate clock output is available at this pin.</p> <p><b><math>\overline{\text{RXRDY}}</math>.</b> <math>\overline{\text{RXRDY}}</math> is primarily intended for monitoring DMA mode 1 transfers for the receive data FIFOs. A logic 0 indicates there is receive data to read/unload, i.e., receive ready status with one or more RX characters available in the FIFO/RHR. This pin is a logic 1 when the FIFO/RHR is empty or when the programmed trigger level has not been reached. This signal can also be used for single mode transfers (DMA mode 0).</p> |
| RESET  | 21     | I    | <b>Reset (Active-HIGH).</b> A logic 1 on this pin will reset the internal registers and all the outputs. The UART transmitter output and the receiver input will be disabled during reset time. (See Section 7.11 "SC16C2552B external reset conditions" for initialization details.)  |
| $\overline{\text{TXRDYA}}$ ,<br>$\overline{\text{TXRDYB}}$ | 1, 32  | O    | <b>Transmit Ready A, B (Active-LOW).</b> These outputs provide the TX FIFO/THR status for individual transmit channels (A-B). $\overline{\text{TXRDYn}}$ is primarily intended for monitoring DMA mode 1 transfers for the transmit data FIFOs. An individual channel's $\overline{\text{TXRDYA}}$ , $\overline{\text{TXRDYB}}$ buffer ready status is indicated by logic 0, i.e., at least one location is empty and available in the FIFO or THR. This pin goes to a logic 1 when there are no more empty locations in the FIFO or THR. This signal can also be used for single mode transfers (DMA mode 0).   |
| V <sub>cc</sub>  | 33, 44 | I    | <b>Power supply input.</b>   |
| XTAL1  | 11     | I    | <b>Crystal or external clock input.</b> Functions as a crystal input or as an external clock input. A crystal can be connected between this pin and XTAL2 to form an internal oscillator circuit. Alternatively, an external clock can be connected to this pin to provide custom data rates. (See Section 6.5 "Programmable baud rate generator".)  |
| XTAL2  | 13     | O    | <b>Output of the crystal oscillator or buffered clock.</b> (See also XTAL1.) Crystal oscillator output or buffered clock output. Should be left open if an external clock is connected to XTAL1.   |
| $\overline{\text{CDA}}$ , $\overline{\text{CDB}}$          | 42, 30 | I    | <b>Carrier Detect (Active-LOW).</b> These inputs are associated with individual UART channels A through B. A logic 0 on this pin indicates that a carrier has been detected by the modem for that channel.   |

Table 2: Pin description...continued

| Symbol  | Pin    | Type | Description   |
|---|--------|------|---|
| $\overline{\text{CTSA}}$ , $\overline{\text{CTSB}}$ | 40, 28 | I    | <b>Clear to Send (Active-LOW).</b> These inputs are associated with individual UART channels, A through B. A logic 0 on the $\overline{\text{CTS}}$ pin indicates the modem or data set is ready to accept transmit data from the SC16C2552B. Status can be tested by reading MSR[4].   |
| $\overline{\text{DSRA}}$ , $\overline{\text{DSRB}}$ | 41, 29 | I    | <b>Data Set Ready (Active-LOW).</b> These inputs are associated with individual UART channels, A through B. A logic 0 on this pin indicates the modem or data set is powered-on and is ready for data exchange with the UART.   |
| $\overline{\text{DTRA}}$ , $\overline{\text{DTRB}}$ | 37, 27 | O    | <b>Data Terminal Ready (Active-LOW).</b> These outputs are associated with individual UART channels, A through B. A logic 0 on this pin indicates that the SC16C2552B is powered-on and ready. This pin can be controlled via the modem control register. Writing a logic 1 to MCR[0] will set the $\overline{\text{DTR}}$ output to logic 0, enabling the modem. This pin will be a logic 1 after writing a logic 0 to MCR[0], or after a reset. |
| $\overline{\text{RIA}}$ , $\overline{\text{RIB}}$   | 43, 31 | I    | <b>Ring Indicator (Active-LOW).</b> These inputs are associated with individual UART channels, A through B. A logic 0 on this pin indicates the modem has received a ringing signal from the telephone line. A logic 1 transition on this input pin will generate an interrupt if modem status interrupt is enabled.  |
| $\overline{\text{RTSA}}$ , $\overline{\text{RTSB}}$ | 36, 23 | O    | <b>Request to Send (Active-LOW).</b> These outputs are associated with individual UART channels, A through B. A logic 0 on the $\overline{\text{RTS}}$ pin indicates the transmitter is ready to transmit data. Writing a logic 1 in the modem control register MCR[1] will set this pin to a logic 0, indicating that the transmitter is ready to transmit data. After a reset this pin will be set to a logic 1.                                |
| RXA, RXB  | 39, 25 | I    | <b>Receive data A, B.</b> These inputs are associated with individual serial channel data to the SC16C2552B receive input circuits, A-B. The RX signal will be a logic 1 during reset, idle (no data). During the local loop-back mode, the RX input pin is disabled and TX data is connected to the UART RX input, internally.   |
| TXA, TXB  | 38, 26 | O    | <b>Transmit data A, B.</b> These outputs are associated with individual serial transmit channel data from the SC16C2552B. The TX signal will be a logic 1 during reset, idle (no data), or when the transmitter is disabled. During the local loop-back mode, the TX output pin is disabled and TX data is internally connected to the UART RX input.   |

## 6. Functional description

The SC16C2552B provides serial asynchronous receive data synchronization, parallel-to-serial and serial-to-parallel data conversions for both the transmitter and receiver sections. These functions are necessary for converting the serial data stream into parallel data that is required with digital data systems. Synchronization for the serial data stream is accomplished by adding start and stop bits to the transmit data to form a data character. Data integrity is insured by attaching a parity bit to the data character. The parity bit is checked by the receiver for any transmission bit errors. The SC16C2552B is fabricated with an advanced CMOS process.

The SC16C2552B is an upward solution that provides a dual UART capability with 16 bytes of transmit and receive FIFO memory, instead of none in the 16C450. The SC16C2552B is designed to work with high speed modems and shared network environments that require fast data processing time. Increased performance is realized in the SC16C2552B by the transmit and receive FIFOs. This allows the external processor to handle more networking tasks within a given time. In addition, the four selectable receive FIFO trigger interrupt levels are uniquely provided for maximum data throughput performance especially when operating in a multi-channel environment. The FIFO memory greatly reduces the bandwidth requirement of the external controlling CPU, increases performance, and reduces power consumption.

The SC16C2552B is capable of operation to 1.5 Mbit/s with a 24 MHz crystal. With a crystal or external clock input of 7.3728 MHz, the user can select data rates up to 460.8 kbits/s.

The rich feature set of the SC16C2552B is available through internal registers. Selectable receive FIFO trigger levels, selectable TX and RX baud rates, and modem interface controls are all standard features.

### 6.1 UART A-B functions

The UART provides the user with the capability to bi-directionally transfer information between an external CPU, the SC16C2552B package, and an external serial device. A logic 0 on chip select pin  $\overline{CS}$ , and a logic 1 on CHSEL allows the user to configure, send data, and/or receive data via UART channel A. A logic 0 on chip select pin  $\overline{CS}$  and a logic 0 on CHSEL allows the user to configure, send data, and/or receive data via UART channel B. Individual channel select functions are shown in [Table 3](#).

**Table 3: Serial port selection**

| Chip Select         | Function  |
|---------------------|---|
| $\overline{CS} = 1$ | none  |
| $\overline{CS} = 0$ | UART channel selected as follows:<br>CHSEL = 1: UART Channel A<br>CHSEL = 0: UART Channel B |

During a write mode cycle, the setting of AFR[0] to a logic 1 will override the CHSEL selection and allow a simultaneous write to both UART channel sections. This functional capability allow the registers in both UART channels to be modified concurrently, saving individual channel initialization time. Caution should be considered, however, when using this capability. Any in-process serial data transfer may be disrupted by changing an active channel's mode.

## 6.2 Internal registers

The SC16C2552B provides two sets of internal registers (A and B) consisting of 13 registers each for monitoring and controlling the functions of each channel of the UART. These registers are shown in Table 4. The UART registers function as data holding registers (THR/RHR), interrupt status and control registers (IER/ISR), a FIFO control register (FCR), line status and control registers (LCR/LSR), modem status and control registers (MCR/MSR), programmable data rate (clock) control registers (DLL/DLM), a user accessible scratchpad register (SPR), and an Alternate Function Register (AFR).

**Table 4: Internal registers decoding**

| A2   | A1 | A0 | READ mode                   | WRITE mode                  |
|--|----|----|-----------------------------|-----------------------------|
| <b>General register set (THR/RHR, IER/ISR, MCR/MSR, FCR, LSR, SPR)</b> |    |    |                             |                             |
| 0  | 0  | 0  | Receive Holding Register    | Transmit Holding Register   |
| 0  | 0  | 1  | Interrupt Enable Register   | Interrupt Enable Register   |
| 0  | 1  | 0  | Interrupt Status Register   | FIFO Control Register       |
| 0  | 1  | 1  | Line Control Register       | Line Control Register       |
| 1  | 0  | 0  | Modem Control Register      | Modem Control Register      |
| 1  | 0  | 1  | Line Status Register        | n/a                         |
| 1  | 1  | 0  | Modem Status Register       | n/a                         |
| 1  | 1  | 1  | Scratchpad Register         | Scratchpad Register         |
| <b>Register set 2 (DLL/DLM/AFR)<sup>[1]</sup></b>                      |    |    |                             |                             |
| 0  | 0  | 0  | LSB of Divisor Latch        | LSB of Divisor Latch        |
| 0  | 0  | 1  | MSB of Divisor Latch        | MSB of Divisor Latch        |
| 0  | 1  | 0  | Alternate Function Register | Alternate Function Register |

[1] The Baud Rate register and AFR register sets are accessible only when  $\overline{CS}$  is a logic 0 and LCR[7] is a logic 1 for the register set (A/B) being accessed.

### 6.3 FIFO operation

The 16 byte transmit and receive data FIFOs are enabled by the FIFO Control Register (FCR) bit 0. The user can set the receive trigger level via FCR bits 6-7, but not the transmit trigger level. The receiver FIFO section includes a time-out function to ensure data is delivered to the external CPU. A time-out interrupt is generated whenever the Receive Holding Register (RHR) has not been read following the loading of a character, or a receive trigger interrupt is generated when Rx FIFO level is equal to the program Rx trigger value.

### 6.4 Time-out interrupts

The interrupts are enabled by IER[0-3]. Care must be taken when handling these interrupts. Following a reset if the transmitter interrupt is enabled, the SC16C2552B will issue an interrupt to indicate that Transmit Holding Register is empty. The ISR register provides the current singular highest priority interrupt only. It could be noted that a condition can exist where a higher priority interrupt may mask the lower priority interrupt(s). Only after servicing the higher pending interrupt will the lower priority interrupt(s) be reflected in the status register. Servicing the interrupt without investigating further interrupt conditions can result in data errors.

When two interrupt conditions have the same priority, it is important to service these interrupts correctly. Receive Data Ready and Receive Time Out have the same interrupt priority (when enabled by IER[0]). The receiver issues an interrupt after the number of characters have reached the programmed trigger level. In this case, the SC16C2552B FIFO may hold more characters than the programmed trigger level. Following the removal of a data byte, the user should re-check LSR[0] for additional characters. A Receive Time Out will not occur if the receive FIFO is empty. The time-out counter is reset at the center of each stop bit received or each time the receive holding register (RHR) is read. The actual time-out value is 4 character time.

### 6.5 Programmable baud rate generator

The SC16C2552B supports high speed modem technologies that have increased input data rates by employing data compression schemes. For example, a 33.6 kbit/s modem that employs data compression may require a 115.2 kbit/s input data rate. A 128.0 kbit/s ISDN modem that supports data compression may need an input data rate of 460.8 kbit/s.

A baud rate generator is provided for each UART channel, allowing independent TX/RX channel control. The programmable Baud Rate Generator is capable of accepting an input clock up to 80 MHz, as required for supporting a 5 Mbit/s data rate. The SC16C2552B can be configured for internal or external clock operation. For internal clock oscillator operation, an industry standard microprocessor crystal is connected externally between the XTAL1 and XTAL2 pins. Alternatively, an external clock can be connected to the XTAL1 pin to clock the internal baud rate generator for standard or custom rates (see [Table 5](#)).

The generator divides the input  $16\times$  clock by any divisor from 1 to  $2^{16} - 1$ . The SC16C2552B divides the basic external clock by 16. The basic  $16\times$  clock provides table rates to support standard and custom applications using the same system



design. The rate table is configured via the DLL and DLM internal register functions. Customized Baud Rates can be achieved by selecting the proper divisor values for the MSB and LSB sections of baud rate generator.

Programming the Baud Rate Generator Registers DLM (MSB) and DLL (LSB) provides a user capability for selecting the desired final baud rate. The example in Table 5 shows the selectable baud rate table available when using a 1.8432 MHz external clock input.

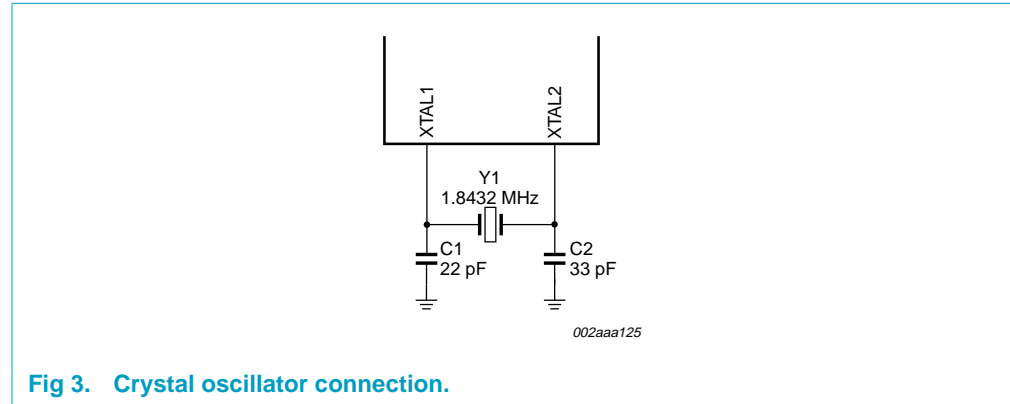


Fig 3. Crystal oscillator connection.

Table 5: Baud rate generator programming table using a 1.8432 MHz clock

| Output baud rate | Output 16× clock divisor (decimal) | User 16× clock divisor (HEX) | DLM program value (HEX) | DLL program value (HEX) |
|------------------|------------------------------------|------------------------------|-------------------------|-------------------------|
| 50               | 2304                               | 900                          | 09                      | 00                      |
| 75               | 1536                               | 600                          | 06                      | 00                      |
| 150              | 768                                | 300                          | 03                      | 00                      |
| 300              | 384                                | 180                          | 01                      | 80                      |
| 600              | 192                                | C0                           | 00                      | C0                      |
| 1200             | 96                                 | 60                           | 00                      | 60                      |
| 2400             | 48                                 | 30                           | 00                      | 30                      |
| 4800             | 24                                 | 18                           | 00                      | 18                      |
| 7200             | 16                                 | 10                           | 00                      | 10                      |
| 9600             | 12                                 | 0C                           | 00                      | 0C                      |
| 19.2 k           | 6                                  | 06                           | 00                      | 06                      |
| 38.4 k           | 3                                  | 03                           | 00                      | 03                      |
| 57.6 k           | 2                                  | 02                           | 00                      | 02                      |
| 115.2 k          | 1                                  | 01                           | 00                      | 01                      |

## 6.6 DMA operation

The SC16C2552B FIFO trigger level provides additional flexibility to the user for block mode operation. LSR[5,6] provide an indication when the transmitter is empty or has an empty location(s). The user can optionally operate the transmit and receive FIFOs in the DMA mode (FCR[3]). When the transmit and receive FIFOs are enabled and the DMA mode is de-activated (DMA Mode 0), the SC16C2552B activates the interrupt output pin for each data transmit or receive operation. When DMA mode is activated (DMA Mode 1), the user takes the advantage of block mode operation by loading or unloading the FIFO in a block sequence determined by the receive trigger level and the transmit FIFO. In this mode, the SC16C2552B sets the interrupt output pin when characters in the transmit FIFO is below 16, or the characters in the receive FIFOs are above the receive trigger level.

## 6.7 Loop-back mode

The internal loop-back capability allows on-board diagnostics. In the loop-back mode, the normal modem interface pins are disconnected and reconfigured for loop-back internally. MCR[0-3] register bits are used for controlling loop-back diagnostic testing. In the loop-back mode, INT enable and MCR[2] in the MCR register (bits 2-3) control the modem  $\overline{RI}$  and  $\overline{CD}$  inputs, respectively. MCR signals  $\overline{DTR}$  and  $\overline{RTS}$  (bits 0-1) are used to control the modem  $\overline{DSR}$  and  $\overline{CTS}$  inputs, respectively. The transmitter output (TX) and the receiver input (RX) are disconnected from their associated interface pins, and instead are connected together internally (see [Figure 4](#)). The  $\overline{CTS}$ ,  $\overline{DSR}$ ,  $\overline{CD}$ , and  $\overline{RI}$  are disconnected from their normal modem control inputs pins, and instead are connected internally to  $\overline{RTS}$ ,  $\overline{DTR}$ ,  $\overline{OP2}$ , and  $\overline{OP1}$ . Loop-back test data is entered into the transmit holding register via the user data bus interface, D0-D7. The transmit UART serializes the data and passes the serial data to the receive UART via the internal loop-back connection. The receive UART converts the serial data back into parallel data that is then made available at the user data interface D0-D7. The user optionally compares the received data to the initial transmitted data for verifying error-free operation of the UART TX/RX circuits.

In this mode, the receiver and transmitter interrupts are fully operational. The Modem Control Interrupts are also operational. However, the interrupts can only be read using lower four bits of the Modem Status Register (MSR[0-3]) instead of the four Modem Status Register bits 4-7. The interrupts are still controlled by the IER.

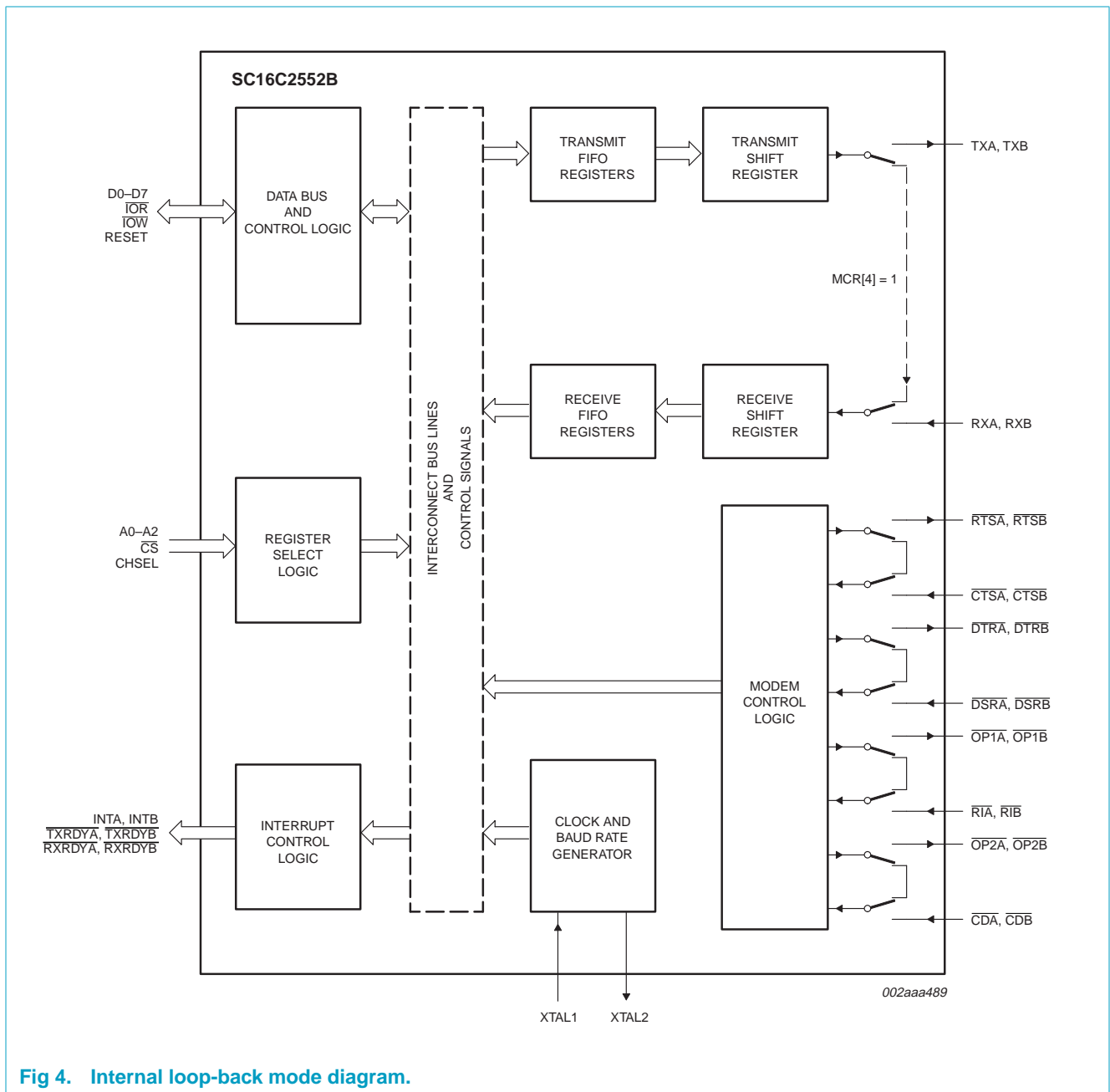


Fig 4. Internal loop-back mode diagram.

## 7. Register descriptions

**Table 6** details the assigned bit functions for the SC16C2552B internal registers. The assigned bit functions are further defined in [Section 7.1](#) through [Section 7.11](#).

**Table 6:** SC16C2552B internal registers

| A2  | A1 | A0 | Register | Default <sup>[1]</sup> | Bit 7                | Bit 6              | Bit 5      | Bit 4           | Bit 3                       | Bit 2                         | Bit 1                               | Bit 0                    |
|---|----|----|----------|------------------------|----------------------|--------------------|------------|-----------------|-----------------------------|-------------------------------|-------------------------------------|--------------------------|
| <b>General Register Set<sup>[2]</sup></b> |    |    |          |                        |                      |                    |            |                 |                             |                               |                                     |                          |
| 0   | 0  | 0  | RHR      | XX                     | bit 7                | bit 6              | bit 5      | bit 4           | bit 3                       | bit 2                         | bit 1                               | bit 0                    |
| 0   | 0  | 0  | THR      | XX                     | bit 7                | bit 6              | bit 5      | bit 4           | bit 3                       | bit 2                         | bit 1                               | bit 0                    |
| 0   | 0  | 1  | IER      | 00                     | 0                    | 0                  | 0          | 0               | modem status interrupt      | receive line status interrupt | transmit holding register interrupt | receive holding register |
| 0   | 1  | 0  | FCR      | 00                     | RCVR trigger (MSB)   | RCVR trigger (LSB) | 0          | 0               | DMA mode select             | XMIT FIFO reset               | RCVR FIFO reset                     | FIFO enable              |
| 0   | 1  | 0  | ISR      | 01                     | FIFOs enabled        | FIFOs enabled      | 0          | 0               | INT priority bit 2          | INT priority bit 1            | INT priority bit 0                  | INT status               |
| 0   | 1  | 1  | LCR      | 00                     | divisor latch enable | set break          | set parity | even parity     | parity enable               | stop bits                     | word length bit 1                   | word length bit 0        |
| 1   | 0  | 0  | MCR      | 00                     | 0                    | 0                  | 0          | loop back       | OP $\bar{2}$ output control | OP $\bar{1}$                  | RTS                                 | DTR                      |
| 1   | 0  | 1  | LSR      | 60                     | FIFO data error      | THR and TSR empty  | THR empty  | break interrupt | framing error               | parity error                  | overrun error                       | receive data ready       |
| 1   | 1  | 0  | MSR      | X0                     | CD                   | RI                 | DSR        | CTS             | $\Delta$ CD                 | $\Delta$ RI                   | $\Delta$ DSR                        | $\Delta$ CTS             |
| 1   | 1  | 1  | SPR      | FF                     | bit 7                | bit 6              | bit 5      | bit 4           | bit 3                       | bit 2                         | bit 1                               | bit 0                    |
| <b>Special Register Set<sup>[3]</sup></b> |    |    |          |                        |                      |                    |            |                 |                             |                               |                                     |                          |
| 0   | 0  | 0  | DLL      | XX                     | bit 7                | bit 6              | bit 5      | bit 4           | bit 3                       | bit 2                         | bit 1                               | bit 0                    |
| 0   | 0  | 1  | DLM      | XX                     | bit 15               | bit 14             | bit 13     | bit 12          | bit 11                      | bit 10                        | bit 9                               | bit 8                    |
| 0   | 1  | 0  | AFR      | 00                     | bit 7                | bit 6              | bit 5      | bit 4           | bit 3                       | bit 2                         | bit 1                               | bit 0                    |

[1] The value shown in represents the register's initialized HEX value; X = n/a.

[2] The General Register sets are accessible only when CS is a logic 0 and LCR[7] is a logic 0.

[3] The Baud Rate register and AFR register sets are accessible only when CS is a logic 0 and LCR[7] is a logic 1. Set A is accessible when CHSEL is a logic 1, and Set B is accessible when CHSEL is a logic 0.

## 7.1 Transmit (THR) and Receive (RHR) Holding Registers

The serial transmitter section consists of an 8-bit Transmit Hold Register (THR) and Transmit Shift Register (TSR). The status of the THR is provided in the Line Status Register (LSR). Writing to the THR transfers the contents of the data bus (D7-D0) to the TSR and UART via the THR, providing that the THR is empty. The THR empty flag in the LSR[5] register will be set to a logic 1 when the transmitter is empty or when data is transferred to the TSR.

The serial receive section also contains an 8-bit Receive Holding Register (RHR) and a Receive Serial Shift Register (RSR). Receive data is removed from the SC16C2552B and receive FIFO by reading the RHR register. The receive section provides a mechanism to prevent false starts. On the falling edge of a start or false start bit, an internal receiver counter starts counting clocks at the 16× clock rate. After 7-1/2 clocks, the start bit time should be shifted to the center of the start bit. At this time the start bit is sampled, and if it is still a logic 0 it is validated. Evaluating the start bit in this manner prevents the receiver from assembling a false character. Receiver status codes will be posted in the LSR.

## 7.2 Interrupt Enable Register (IER)

The Interrupt Enable Register (IER) masks the interrupts from receiver ready, transmitter empty, line status and modem status registers. These interrupts would normally be seen on the INTA, INTB output pins.

**Table 7:** Interrupt Enable Register bits description

| Bit | Symbol   | Description  |
|-----|----------|--|
| 7-4 | IER[7-4] | Not used; initialized to logic 0.  |
| 3   | IER[3]   | Modem Status Interrupt. This interrupt will be issued whenever there is a modem status change as reflected in MSR[0-3].<br>Logic 0 = Disable the modem status register interrupt (normal default condition).<br>Logic 1 = Enable the modem status register interrupt.  |
| 2   | IER[2]   | Receive Line Status interrupt. This interrupt will be issued whenever a receive data error condition exists as reflected in LSR[1-4].<br>Logic 0 = Disable the receiver line status interrupt (normal default condition).<br>Logic 1 = Enable the receiver line status interrupt.  |
| 1   | IER[1]   | Transmit Holding Register interrupt. In the 16C450 mode, this interrupt will be issued whenever the THR is empty, and is associated with LSR[5]. In the FIFO modes, this interrupt will be issued whenever the FIFO and THR are empty.<br>Logic 0 = Disable the Transmit Holding Register Empty (TXRDY) interrupt (normal default condition).<br>Logic 1 = Enable the TXRDY (ISR level 3) interrupt. |

**Table 7:** Interrupt Enable Register bits description...continued

| Bit | Symbol | Description  |
|-----|--------|--|
| 0   | IER[0] | <p>Receive Holding Register. In the 16C450 mode, this interrupt will be issued when the RHR has data, or is cleared when the RHR is empty. In the FIFO mode, this interrupt will be issued when the FIFO has reached the programmed trigger level or is cleared when the FIFO drops below the trigger level.</p> <p>Logic 0 = Disable the receiver ready (ISR level 2, RXRDY) interrupt (normal default condition).</p> <p>Logic 1 = Enable the RXRDY (ISR level 2) interrupt.</p> |

### 7.2.1 IER versus Transmit/Receive FIFO interrupt mode operation

When the receive FIFO (FCR[0] = logic 1), and receive interrupts (IER[0] = logic 1) are enabled, the receive interrupts and register status will reflect the following:

- The receive RXRDY interrupt (Level 2 ISR interrupt) is issued to the external CPU when the receive FIFO has reached the programmed trigger level. It will be cleared when the receive FIFO drops below the programmed trigger level.
- Receive FIFO status will also be reflected in the user accessible ISR register when the receive FIFO trigger level is reached. Both the ISR register receive status bit and the interrupt will be cleared when the FIFO drops below the trigger level.
- The receive data ready bit (LSR[0]) is set as soon as a character is transferred from the shift register (RSR) to the receive FIFO. It is reset when the FIFO is empty.
- When the Transmit FIFO and interrupts are enabled, an interrupt is generated when the transmit FIFO is empty due to the unloading of the data by the TSR and UART for transmission via the transmission media. The interrupt is cleared either by reading the ISR register, or by loading the THR with new data characters.

### 7.2.2 IER versus Receive/Transmit FIFO polled mode operation

When FCR[0] = logic 1, resetting IER[0-3] enables the SC16C2552B in the FIFO polled mode of operation. In this mode, interrupts are not generated and the user must poll the LSR register for TX and/or RX data status. Since the receiver and transmitter have separate bits in the LSR either or both can be used in the polled mode by selecting respective transmit or receive control bit(s).

- LSR[0] will be a logic 1 as long as there is one byte in the receive FIFO.
- LSR[1-4] will provide the type of receive errors, or a receive break, if encountered.
- LSR[5] will indicate when the transmit FIFO is empty.
- LSR[6] will indicate when both the transmit FIFO and transmit shift register are empty.
- LSR[7] will show if any FIFO data errors occurred.

### 7.3 FIFO Control Register (FCR)

This register is used to enable the FIFOs, clear the FIFOs, set the receive FIFO trigger levels, and select the DMA mode.

#### 7.3.1 DMA mode

**Mode 0 (FCR bit 3 = 0):** Set and enable the interrupt for each single transmit or receive operation, and is similar to the 16C450 mode. Transmit Ready ( $\overline{\text{TXRDY}}$ ) will go to a logic 0 whenever an empty transmit space is available in the Transmit Holding Register (THR). Receive Ready ( $\overline{\text{RXRDY}}$ ) at the MF pin will go to a logic 0 whenever the Receive Holding Register (RHR) is loaded with a character and the MF register is set to the RXRDY mode.

**Mode 1 (FCR bit 3 = 1):** Set and enable the interrupt in a block mode operation. The transmit interrupt is set when the transmit FIFO has at least one empty location.  $\overline{\text{TXRDY}}$  remains a logic 0 as long as one empty FIFO location is available. The receive interrupt is set when the receive FIFO fills to the programmed trigger level. However, the FIFO continues to fill regardless of the programmed level until the FIFO is full.  $\overline{\text{RXRDY}}$  at the MF pin remains a logic 0 as long as the FIFO fill level is above the programmed trigger level, and the MF register is set to the RXRDY mode.

#### 7.3.2 FIFO mode

**Table 8: FIFO Control Register bits description**

| Bit | Symbol   | Description   |
|-----|----------|---|
| 7-6 | FCR[7-6] | RCVR trigger. These bits are used to set the trigger level for the receive FIFO interrupt.<br><br>An interrupt is generated when the number of characters in the FIFO equals the programmed trigger level. However, the FIFO will continue to be loaded until it is full. Refer to <a href="#">Table 9</a> .  |
| 5-4 | FCR[5-4] | Not used; initialized to logic 0.   |
| 3   | FCR[3]   | DMA mode select.<br><br>Logic 0 = Set DMA mode '0' (normal default condition).<br>Logic 1 = Set DMA mode '1'<br><br><b>Transmit operation in mode '0':</b> When the SC16C2552B is in the 16C450 mode (FIFOs disabled; FCR[0] = logic 0) or in the FIFO mode (FIFOs enabled; FCR[0] = logic 1; FCR[3] = logic 0), and when there are no characters in the transmit FIFO or transmit holding register, the $\overline{\text{TXRDY}}$ pin will be a logic 0. Once active, the $\overline{\text{TXRDY}}$ pin will go to a logic 1 after the first character is loaded into the transmit holding register.<br><br><b>Receive operation in mode '0':</b> When the SC16C2552B is in 16C450 mode, or in the FIFO mode (FCR[0] = logic 1; FCR[3] = logic 0) and there is at least one character in the receive FIFO, the $\overline{\text{RXRDY}}$ signal at the MF pin will be a logic 0. Once active, the $\overline{\text{RXRDY}}$ signal at the MF pin will go to a logic 1 when there are no more characters in the receiver. NOTE: The AFR register must be set to the RXRDY mode prior to any possible reading of the $\overline{\text{RXRDY}}$ signal. |

Table 8: FIFO Control Register bits description...continued

| Bit              | Symbol | Description  |
|------------------|--------|--|
| 3<br>(continued) |        | <p><b>Transmit operation in mode '1':</b> When the SC16C2552B is in FIFO mode (FCR[0] = logic 1; FCR[3] = logic 1), the <math>\overline{\text{TXRDY}}</math> pin will be a logic 1 when the transmit FIFO is completely full. It will be a logic 0 if one or more FIFO locations are empty.</p> <p><b>Receive operation in mode '1':</b> When the SC16C2552B is in FIFO mode (FCR[0] = logic 1; FCR[3] = logic 1) and the trigger level has been reached, or a Receive Time-Out has occurred, the <math>\overline{\text{RXRDY}}</math> signal at the MF pin will go to a logic 0. Once activated, it will go to a logic 1 after there are no more characters in the FIFO. NOTE: The AFR register must be set to the RXRDY mode prior to any possible reading of the <math>\overline{\text{RXRDY}}</math> signal.</p> |
| 2                | FCR[2] | <p>XMIT FIFO reset.</p> <p>Logic 0 = No FIFO transmit reset (normal default condition).</p> <p>Logic 1 = Clears the contents of the transmit FIFO and resets the FIFO counter logic (the transmit shift register is not cleared or altered). This bit will return to a logic 0 after clearing the FIFO.</p>  |
| 1                | FCR[1] | <p>RCVR FIFO reset.</p> <p>Logic 0 = No FIFO receive reset (normal default condition).</p> <p>Logic 1 = Clears the contents of the receive FIFO and resets the FIFO counter logic (the receive shift register is not cleared or altered). This bit will return to a logic 0 after clearing the FIFO.</p>   |
| 0                | FCR[0] | <p>FIFOs enabled.</p> <p>Logic 0 = Disable the transmit and receive FIFO (normal default condition).</p> <p>Logic 1 = Enable the transmit and receive FIFO. <b>This bit must be a '1' when other FCR bits are written to, or they will not be programmed.</b></p>  |

Table 9: RCVR trigger levels

| FCR[7] | FCR[6] | RX FIFO trigger level |
|--------|--------|-----------------------|
| 0      | 0      | 01                    |
| 0      | 1      | 04                    |
| 1      | 0      | 08                    |
| 1      | 1      | 14                    |



## 7.4 Interrupt Status Register (ISR)

The SC16C2552B provides four levels of prioritized interrupts to minimize external software interaction. The Interrupt Status Register (ISR) provides the user with four interrupt status bits. Performing a read cycle on the ISR will provide the user with the highest pending interrupt level to be serviced. No other interrupts are acknowledged until the pending interrupt is serviced. Whenever the interrupt status register is read, the interrupt status is cleared. However, it should be noted that only the current pending interrupt is cleared by the read. A lower level interrupt may be seen after re-reading the interrupt status bits. [Table 10](#) "Interrupt source" shows the data values (bits 0-3) for the four prioritized interrupt levels and the interrupt sources associated with each of these interrupt levels.

**Table 10: Interrupt source**

| Priority level | ISR[3] | ISR[2] | ISR[1] | ISR[0] | Source of the interrupt                    |
|----------------|--------|--------|--------|--------|--|
| 1              | 0      | 1      | 1      | 0      | LSR (Receiver Line Status Register)        |
| 2              | 0      | 1      | 0      | 0      | RXRDY (Received Data Ready)                |
| 2              | 1      | 1      | 0      | 0      | RXRDY (Receive Data time-out)              |
| 3              | 0      | 0      | 1      | 0      | TXRDY (Transmitter Holding Register Empty) |
| 4              | 0      | 0      | 0      | 0      | MSR (Modem Status Register)                |

**Table 11: Interrupt Status Register bits description**

| Bit | Symbol   | Description  |
|-----|----------|--|
| 7-6 | ISR[7-6] | FIFOs enabled. These bits are set to a logic 0 when the FIFOs are not being used in the 16C450 mode. They are set to a logic 1 when the FIFOs are enabled in the SC16C2552B mode.<br>Logic 0 or cleared = default condition. |
| 5-4 | ISR[5-4] | Not used; initialized to a logic 0.  |
| 3-1 | ISR[3-1] | INT priority bits. These bits indicate the source for a pending interrupt at interrupt priority levels 1, 2, and 3 (see <a href="#">Table 10</a> ).  |
| 0   | ISR[0]   | INT status.<br>Logic 0 = An interrupt is pending and the ISR contents may be used as a pointer to the appropriate interrupt service routine.<br>Logic 1 = No interrupt pending (normal default condition).                   |

## 7.5 Line Control Register (LCR)

The Line Control Register is used to specify the asynchronous data communication format. The word length, the number of stop bits, and the parity are selected by writing the appropriate bits in this register.

**Table 12: Line Control Register bits description**

| Bit | Symbol   | Description   |
|-----|----------|---|
| 7   | LCR[7]   | Divisor latch enable. The internal baud rate counter latch and Enhance Feature mode enable.<br>Logic 0 = Divisor latch disabled (normal default condition).<br>Logic 1 = Divisor latch enabled.   |
| 6   | LCR[6]   | Set break. When enabled, the Break control bit causes a break condition to be transmitted (the TX output is forced to a logic 0 state). This condition exists until disabled by setting LCR[6] to a logic 0.<br>Logic 0 = no TX break condition (normal default condition)<br>Logic 1 = forces the transmitter output (TX) to a logic 0 for alerting the remote receiver to a line break condition. |
| 5-3 | LCR[5-3] | Programs the parity conditions (see <a href="#">Table 13</a> ).   |
| 2   | LCR[2]   | Stop bits. The length of stop bit is specified by this bit in conjunction with the programmed word length (see <a href="#">Table 14</a> ).<br>Logic 0 or cleared = default condition.   |
| 1-0 | LCR[1-0] | Word length bits 1, 0. These two bits specify the word length to be transmitted or received (see <a href="#">Table 15</a> ).<br>Logic 0 or cleared = default condition.   |

**Table 13: LCR[5] parity selection**

| LCR[5] | LCR[4] | LCR[3] | Parity selection  |
|--------|--------|--------|-------------------|
| X      | X      | 0      | no parity         |
| X      | 0      | 1      | ODD parity        |
| 0      | 1      | 1      | EVEN parity       |
| 0      | 0      | 1      | force parity '1'  |
| 1      | 1      | 1      | forced parity '0' |

**Table 14: LCR[2] stop bit length**

| LCR[2] | Word length | Stop bit length (bit times) |
|--------|-------------|-----------------------------|
| 0      | 5, 6, 7, 8  | 1                           |
| 1      | 5           | 1-1/2                       |
| 1      | 6, 7, 8     | 2                           |

**Table 15: LCR[1-0] word length**

| LCR[1] | LCR[0] | Word length |
|--------|--------|-------------|
| 0      | 0      | 5           |
| 0      | 1      | 6           |
| 1      | 0      | 7           |
| 1      | 1      | 8           |

## 7.6 Modem Control Register (MCR)

This register controls the interface with the modem or a peripheral device.

**Table 16: Modem Control Register bits description**

| Bit | Symbol   | Description  |
|-----|----------|--|
| 7-5 | MCR[7-5] | Not used; initialized to a logic 0.  |
| 4   | MCR[4]   | <p>Loop-back. Enable the local loop-back mode (diagnostics). In this mode the transmitter output TX and the receiver input RX, <math>\overline{\text{CTS}}</math>, <math>\overline{\text{DSR}}</math>, <math>\overline{\text{CD}}</math>, and <math>\overline{\text{RI}}</math> are disconnected from the SC16C2552B I/O pins. Internally the modem data and control pins are connected into a loop-back data configuration (see Figure 4). In this mode, the receiver and transmitter interrupts remain fully operational. The Modem Control Interrupts are also operational, but the interrupts' sources are switched to the lower four bits of the Modem Control. Interrupts continue to be controlled by the IER register.</p> <p>Logic 0 = Disable loop-back mode (normal default condition).<br/>           Logic 1 = Enable local loop-back mode (diagnostics).</p> |
| 3   | MCR[3]   | <p><math>\overline{\text{OP2}}</math>. Used to control the modem <math>\overline{\text{CD}}</math> signal in the loop-back mode.</p> <p>Logic 0 = Sets <math>\overline{\text{OP2}}</math> to a logic 1 (normal default condition). In the loop-back mode, sets <math>\overline{\text{CD}}</math> internally to a logic 1.<br/>           Logic 1 = Sets <math>\overline{\text{OP2}}</math> to a logic 0. In the loop-back mode, sets <math>\overline{\text{CD}}</math> internally to a logic 0.</p>  |
| 2   | MCR[2]   | <p><math>\overline{\text{OP1}}</math>. This bit is used in the Loop-back mode only. In the loop-back mode, this bit is used to write the state of the modem <math>\overline{\text{RI}}</math> interface signal.</p>  |
| 1   | MCR[1]   | <p><math>\overline{\text{RTS}}</math></p> <p>Logic 0 = Force <math>\overline{\text{RTS}}</math> output to a logic 1 (normal default condition).<br/>           Logic 1 = Force <math>\overline{\text{RTS}}</math> output to a logic 0.</p>   |
| 0   | MCR[0]   | <p><math>\overline{\text{DTR}}</math></p> <p>Logic 0 = Force <math>\overline{\text{DTR}}</math> output to a logic 1 (normal default condition).<br/>           Logic 1 = Force <math>\overline{\text{DTR}}</math> output to a logic 0.</p>   |

## 7.7 Line Status Register (LSR)

This register provides the status of data transfers between the SC16C2552B and the CPU.

**Table 17: Line Status Register bits description**

| Bit | Symbol | Description   |
|-----|--------|---|
| 7   | LSR[7] | FIFO data error.<br>Logic 0 = No error (normal default condition).<br>Logic 1 = At least one parity error, framing error or break indication is in the current FIFO data. This bit is cleared when RHR register is read.  |
| 6   | LSR[6] | THR and TSR empty. This bit is the Transmit Empty indicator. This bit is set to a logic 1 whenever the transmit holding register and the transmit shift register are both empty. It is reset to logic 0 whenever either the THR or TSR contains a data character. In the FIFO mode, this bit is set to '1' whenever the transmit FIFO and transmit shift register are both empty.   |
| 5   | LSR[5] | THR empty. This bit is the Transmit Holding Register Empty indicator. This bit indicates that the UART is ready to accept a new character for transmission. In addition, this bit causes the UART to issue an interrupt to CPU when the THR interrupt enable is set. The THR bit is set to a logic 1 when a character is transferred from the transmit holding register into the transmitter shift register. The bit is reset to a logic 0 concurrently with the loading of the transmitter holding register by the CPU. In the FIFO mode, this bit is set when the transmit FIFO is empty; it is cleared when at least 1 byte is written to the transmit FIFO. |
| 4   | LSR[4] | Break interrupt.<br>Logic 0 = No break condition (normal default condition).<br>Logic 1 = The receiver received a break signal (RX was a logic 0 for one character frame time). In the FIFO mode, only one break character is loaded into the FIFO.   |
| 3   | LSR[3] | Framing error.<br>Logic 0 = No framing error (normal default condition).<br>Logic 1 = Framing error. The receive character did not have a valid stop bit(s). In the FIFO mode, this error is associated with the character at the top of the FIFO.  |
| 2   | LSR[2] | Parity error.<br>Logic 0 = No parity error (normal default condition).<br>Logic 1 = Parity error. The receive character does not have correct parity information and is suspect. In the FIFO mode, this error is associated with the character at the top of the FIFO.  |
| 1   | LSR[1] | Overrun error.<br>Logic 0 = No overrun error (normal default condition).<br>Logic 1 = Overrun error. A data overrun error occurred in the receive shift register. This happens when additional data arrives while the FIFO is full. In this case, the previous data in the shift register is overwritten. Note that under this condition, the data byte in the receive shift register is not transferred into the FIFO, therefore the data in the FIFO is not corrupted by the error.   |

Table 17: Line Status Register bits description...continued

| Bit | Symbol | Description  |
|-----|--------|--|
| 0   | LSR[0] | Receive data ready.<br>Logic 0 = No data in receive holding register or FIFO (normal default condition).<br>Logic 1 = Data has been received and is saved in the receive holding register or FIFO. |

## 7.8 Modem Status Register (MSR)

This register provides the current state of the control interface signals from the modem, or other peripheral device to which the SC16C2552B is connected. Four bits of this register are used to indicate the changed information. These bits are set to a logic 1 whenever a control input from the modem changes state. These bits are set to a logic 0 whenever the CPU reads this register.

Table 18: Modem Status Register bits description

| Bit | Symbol | Description   |
|-----|--------|---|
| 7   | MSR[7] | Carrier Detect, CD. During normal operation, this bit is the complement of the $\overline{CD}$ input. Reading this bit in the loop-back mode produces the state of MCR[3] ( $\overline{OPA}/OPB$ ).   |
| 6   | MSR[6] | Ring Indicator, RI. During normal operation, this bit is the complement of the $\overline{RI}$ input. Reading this bit in the loop-back mode produces the state of MCR[2] ( $\overline{OP1}$ ).   |
| 5   | MSR[5] | Data Set Ready, DSR. During normal operation, this bit is the complement of the $\overline{DSR}$ input. During the loop-back mode, this bit is equivalent to MCR[0] ( $\overline{DTR}$ ).   |
| 4   | MSR[4] | Clear To Send, CTS. During normal operation, this bit is the complement of the $\overline{CTS}$ input. During the loop-back mode, this bit is equivalent to MCR[1] ( $\overline{RTS}$ ).  |
| 3   | MSR[3] | $\Delta\overline{CD}$ [1]<br>Logic 0 = No $\overline{CD}$ change (normal default condition).<br>Logic 1 = The $\overline{CD}$ input to the SC16C2552B has changed state since the last time it was read. A modem Status Interrupt will be generated.    |
| 2   | MSR[2] | $\Delta\overline{RI}$ [1]<br>Logic 0 = No $\overline{RI}$ change (normal default condition).<br>Logic 1 = The $\overline{RI}$ input to the SC16C2552B has changed from a logic 0 to a logic 1. A modem Status Interrupt will be generated.              |
| 1   | MSR[1] | $\Delta\overline{DSR}$ [1]<br>Logic 0 = No $\overline{DSR}$ change (normal default condition).<br>Logic 1 = The $\overline{DSR}$ input to the SC16C2552B has changed state since the last time it was read. A modem Status Interrupt will be generated. |
| 0   | MSR[0] | $\Delta\overline{CTS}$ [1]<br>Logic 0 = No $\overline{CTS}$ change (normal default condition).<br>Logic 1 = The $\overline{CTS}$ input to the SC16C2552B has changed state since the last time it was read. A modem Status Interrupt will be generated. |

[1] Whenever any MSR bit 0-3 is set to logic 1, a Modem Status Interrupt will be generated.

## 7.9 Scratchpad Register (SPR)

The SC16C2552B provides a temporary data register to store 8 bits of user information.

## 7.10 Alternate Function Register (AFR)

This is a read/write register used to select specific modes of  $\overline{MF}$  operation and to allow both UART register's sets to be written concurrently.

**Table 19: Alternate Function Register bits description**

| Bit | Symbol   | Description  |
|-----|----------|--|
| 7-3 | AFR[7-3] | Not used. All are initialized to logic 0.  |
| 2-1 | AFR[2-1] | Selects a signal function for output on the $\overline{MFA}$ , $\overline{MFB}$ pins. These signal functions are described as: $\overline{OP2}$ (interrupt enable), $\overline{BAUDOUT}$ , or $\overline{RXRDY}$ . Only one signal function can be selected at a time. See <a href="#">Table 20</a> .  |
| 0   | AFR[0]   | When this bit is set, CPU can write concurrently to the same register in both UARTs. This function is intended to reduce the dual UART initialization time. It can be used by CPU when both channels are initialized to the same state. The external CPU can set or clear this bit by accessing either register set. When this bit is set, the Channel Select pin still selects the channel to be accessed during read operation. Setting or clearing this bit has no effect on read operations. The user should ensure that LCR[7] of both channels are in the same state before executing a concurrent write to the registers at address 0, 1, or 2.<br><br>Logic 0 = No concurrent write (normal default condition).<br>Logic 1 = Register set A and B are written concurrently with a single external CPU I/O write operation. |

**Table 20:  $\overline{MFA}$ ,  $\overline{MFB}$  function selection**

| AFR[2] | AFR[1] | MF function          |
|--------|--------|----------------------|
| 0      | 0      | $\overline{OP2}$     |
| 0      | 1      | $\overline{BAUDOUT}$ |
| 1      | 0      | $\overline{RXRDY}$   |
| 1      | 1      | reserved             |

## 7.11 SC16C2552B external reset conditions

Table 21: Reset state for registers

| Register | Reset state                            |
|----------|--|
| IER      | IER[7-0] = 0                           |
| ISR      | ISR[7-1] = 0; ISR[0] = 1               |
| LCR      | LCR[7-0] = 0                           |
| MCR      | MCR[7-0] = 0                           |
| LSR      | LSR[7] = 0; LSR[6-5] = 1; LSR[4-0] = 0 |
| MSR      | MSR[7-4] = input signals; MSR[3-0] = 0 |
| FCR      | FCR[7-0] = 0                           |
| AFR      | AFR[7-0] = 0                           |

Table 22: Reset state for outputs

| Output  | Reset state |
|---|-------------|
| TXA, TXB  | HIGH        |
| $\overline{\text{OP2A}}$ , $\overline{\text{OP2B}}$     | HIGH        |
| $\overline{\text{RTSA}}$ , $\overline{\text{RTSB}}$     | HIGH        |
| $\overline{\text{DTRA}}$ , $\overline{\text{DTRB}}$     | HIGH        |
| INTA, INTB  | LOW         |
| $\overline{\text{TXRDYA}}$ , $\overline{\text{TXRDYB}}$ | LOW         |

## 8. Limiting values

Table 23: Limiting values

In accordance with the Absolute Maximum Rating System (IEC 60134).

| Symbol          | Parameter                           | Conditions | Min       | Max            | Unit |
|-----------------|-------------------------------------|------------|-----------|----------------|------|
| $V_{CC}$        | supply voltage                      |            | -         | 7              | V    |
| $V_n$           | voltage at any pin                  |            | GND - 0.3 | $V_{CC} + 0.3$ | V    |
| $T_{amb}$       | operating temperature               |            | -40       | +85            | °C   |
| $T_{stg}$       | storage temperature                 |            | -65       | +150           | °C   |
| $P_{tot(pack)}$ | total power dissipation per package |            | -         | 500            | mW   |

## 9. Static characteristics

**Table 24: DC electrical characteristics**

$T_{amb} = -40^{\circ}\text{C}$  to  $+85^{\circ}\text{C}$ ;  $V_{CC} = 2.5\text{ V}$ ,  $3.3\text{ V}$  or  $5.0\text{ V} \pm 10\%$ , unless otherwise specified.

| Symbol       | Parameter   | Conditions  | 2.5 V |          | 3.3 V |          | 5.0 V |          | Unit          |
|--------------|---|---|-------|----------|-------|----------|-------|----------|---------------|
|              |   |   | Min   | Max      | Min   | Max      | Min   | Max      |               |
| $V_{IL(CK)}$ | LOW-level clock input voltage                             |   | -0.3  | 0.45     | -0.3  | 0.6      | -0.5  | 0.6      | V             |
| $V_{IH(CK)}$ | HIGH-level clock input voltage                            |   | 1.8   | $V_{CC}$ | 2.4   | $V_{CC}$ | 3.0   | $V_{CC}$ | V             |
| $V_{IL}$     | LOW-level input voltage<br>(except X1 clock)              |   | -0.3  | 0.65     | -0.3  | 0.8      | -0.5  | 0.8      | V             |
| $V_{IH}$     | HIGH-level input voltage<br>(except X1 clock)             |   | 1.6   | -        | 2.0   | -        | 2.2   | -        | V             |
| $V_{OL}$     | LOW-level output voltage<br>on all outputs <sup>[1]</sup> | $I_{OL} = 5\text{ mA}$<br>(databus)                   | -     | -        | -     | -        | -     | 0.4      | V             |
|              |   | $I_{OL} = 4\text{ mA}$<br>(other outputs)             | -     | -        | -     | 0.4      | -     | -        | V             |
|              |   | $I_{OL} = 2\text{ mA}$<br>(databus)                   | -     | 0.4      | -     | -        | -     | -        | V             |
|              |   | $I_{OL} = 1.6\text{ mA}$<br>(other outputs)           | -     | 0.4      | -     | -        | -     | -        | V             |
| $V_{OH}$     | HIGH-level output voltage                                 | $I_{OH} = -5\text{ mA}$<br>(databus)                  | -     | -        | -     | -        | 2.4   | -        | V             |
|              |   | $I_{OH} = -1\text{ mA}$<br>(other outputs)            | -     | -        | 2.0   | -        | -     | -        | V             |
|              |   | $I_{OH} = -800\text{ }\mu\text{A}$<br>(data bus)      | 1.85  | -        | -     | -        | -     | -        | V             |
|              |   | $I_{OH} = -400\text{ }\mu\text{A}$<br>(other outputs) | 1.85  | -        | -     | -        | -     | -        | V             |
| $I_{LIL}$    | LOW-level input leakage<br>current                        |   | -     | $\pm 10$ | -     | $\pm 10$ | -     | $\pm 10$ | $\mu\text{A}$ |
| $I_{CL}$     | clock leakage   |   | -     | $\pm 30$ | -     | $\pm 30$ | -     | $\pm 30$ | $\mu\text{A}$ |
| $I_{CC}$     | supply current  | $f = 5\text{ MHz}$                                    | -     | 3.5      | -     | 4.5      | -     | 4.5      | mA            |
| $C_i$        | input capacitance   |   | -     | 5        | -     | 5        | -     | 5        | pF            |

[1] Except  $x_2$ ,  $V_{OL} = 1\text{ V}$  typical.



## 10. Dynamic characteristics

**Table 25: AC electrical characteristics**
 $T_{amb} = -40^{\circ}\text{C to } +85^{\circ}\text{C}; V_{CC} = 2.5\text{ V, } 3.3\text{ V or } 5.0\text{ V} \pm 10\%$ , unless otherwise specified.

| Symbol             | Parameter   | Conditions | 2.5 V |              | 3.3 V |              | 5.0 V |              | Unit      |
|--------------------|---|------------|-------|--------------|-------|--------------|-------|--------------|-----------|
|                    |   |            | Min   | Max          | Min   | Max          | Min   | Max          |           |
| $t_{1w}, t_{2w}$   | clock pulse duration  |            | 10    | -            | 6     | -            | 6     | -            | ns        |
| $t_{3w}$           | clock frequency   | [1]        | -     | 48           | -     | 80           | -     | 80           | MHz       |
| $t_{6s}$           | address set-up time   |            | 0     | -            | 0     | -            | 0     | -            | ns        |
| $t_{6h}$           | address hold time   |            | 0     | -            | 0     | -            | 0     | -            | ns        |
| $t_{7d}$           | $\overline{\text{IOR}}$ delay from chip select                        |            | 10    | -            | 10    | -            | 10    | -            | ns        |
| $t_{7w}$           | $\overline{\text{IOR}}$ strobe width                                  | 25 pF load | 77    | -            | 26    | -            | 23    | -            | ns        |
| $t_{7h}$           | chip select hold time from $\overline{\text{IOR}}$                    |            | 0     | -            | 0     | -            | 0     | -            | ns        |
| $t_{9d}$           | read cycle delay  | 25 pF load | 20    | -            | 20    | -            | 20    | -            | ns        |
| $t_{12d}$          | delay from $\overline{\text{IOR}}$ to data                            | 25 pF load | -     | 77           | -     | 26           | -     | 23           | ns        |
| $t_{12h}$          | data disable time   | 25 pF load | -     | 15           | -     | 15           | -     | 15           | ns        |
| $t_{13d}$          | $\overline{\text{IOW}}$ delay from chip select                        |            | 10    | -            | 10    | -            | 10    | -            | ns        |
| $t_{13w}$          | $\overline{\text{IOW}}$ strobe width                                  |            | 20    | -            | 20    | -            | 15    | -            | ns        |
| $t_{13h}$          | chip select hold time from $\overline{\text{IOW}}$                    |            | 0     | -            | 0     | -            | 0     | -            | ns        |
| $t_{15d}$          | write cycle delay   |            | 25    | -            | 25    | -            | 20    | -            | ns        |
| $t_{16s}$          | data set-up time  |            | 20    | -            | 20    | -            | 15    | -            | ns        |
| $t_{16h}$          | data hold time  |            | 15    | -            | 5     | -            | 5     | -            | ns        |
| $t_{17d}$          | delay from $\overline{\text{IOW}}$ to output                          | 25 pF load | -     | 100          | -     | 33           | -     | 29           | ns        |
| $t_{18d}$          | delay to set interrupt from Modem input                               | 25 pF load | -     | 100          | -     | 24           | -     | 23           | ns        |
| $t_{19d}$          | delay to reset interrupt from $\overline{\text{IOR}}$                 | 25 pF load | -     | 100          | -     | 24           | -     | 23           | ns        |
| $t_{20d}$          | delay from stop to set interrupt                                      |            | -     | 1            | -     | 1            | -     | 1            | $R_{clk}$ |
| $t_{21d}$          | delay from $\overline{\text{IOR}}$ to reset interrupt                 | 25 pF load | -     | 100          | -     | 29           | -     | 28           | ns        |
| $t_{22d}$          | delay from start to set interrupt                                     |            | -     | 100          | -     | 45           | -     | 40           | ns        |
| $t_{23d}$          | delay from $\overline{\text{IOW}}$ to transmit start                  |            | 8     | 24           | 8     | 24           | 8     | 24           | $R_{clk}$ |
| $t_{24d}$          | delay from $\overline{\text{IOW}}$ to reset interrupt                 |            | -     | 100          | -     | 45           | -     | 40           | ns        |
| $t_{25d}$          | delay from stop to set $\overline{\text{RXRDY}}$                      |            | -     | 1            | -     | 1            | -     | 1            | $R_{clk}$ |
| $t_{26d}$          | delay from $\overline{\text{IOR}}$ to reset $\overline{\text{RXRDY}}$ |            | -     | 100          | -     | 45           | -     | 40           | ns        |
| $t_{27d}$          | delay from $\overline{\text{IOW}}$ to set $\overline{\text{TXRDY}}$   |            | -     | 100          | -     | 45           | -     | 40           | ns        |
| $t_{28d}$          | delay from start to reset $\overline{\text{TXRDY}}$                   |            | -     | 8            | -     | 8            | -     | 8            | $R_{clk}$ |
| $t_{\text{RESET}}$ | Reset pulse width   |            | 200   | -            | 40    | -            | 40    | -            | ns        |
| N                  | baud rate divisor   |            | 1     | $2^{16} - 1$ | 1     | $2^{16} - 1$ | 1     | $2^{16} - 1$ | $R_{clk}$ |

[1] Applies to external clock, crystal oscillator max 24 MHz.

10.1 Timing diagrams

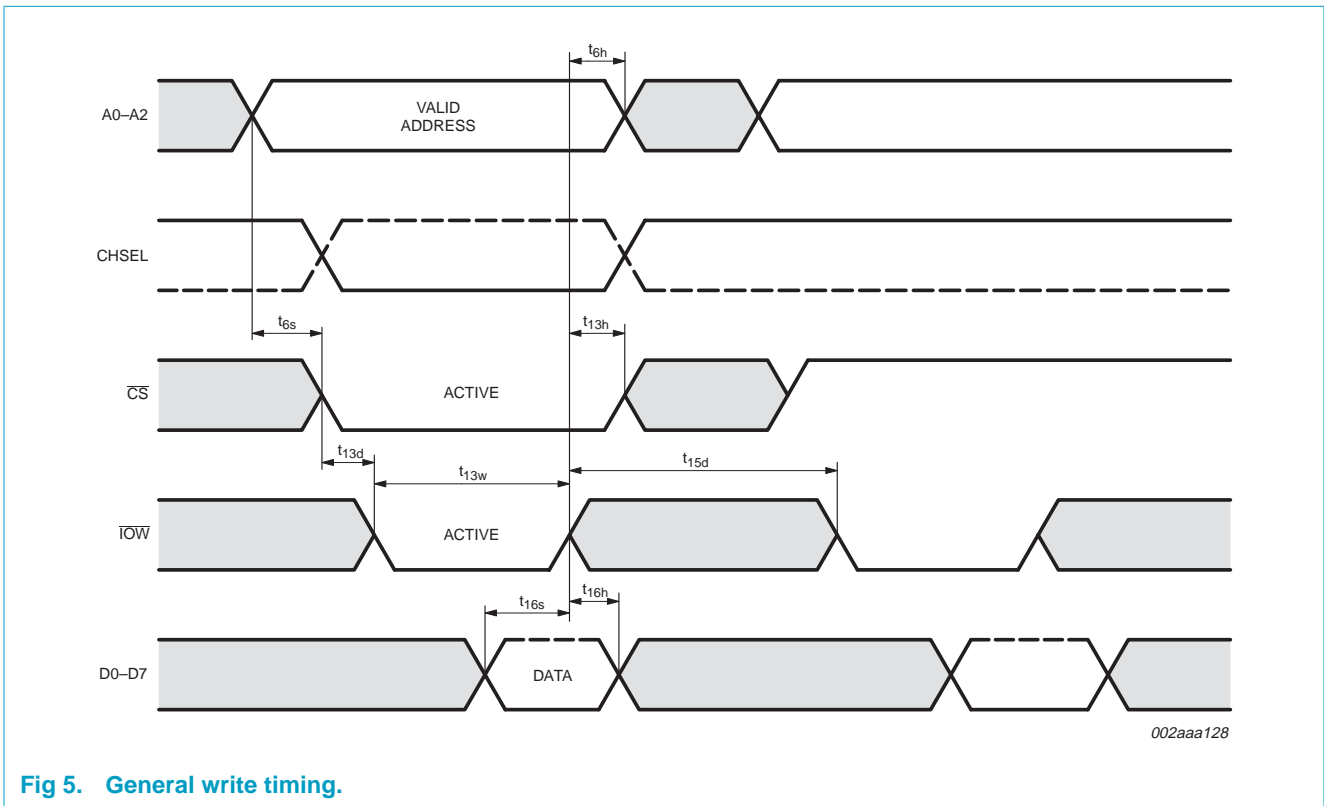


Fig 5. General write timing.

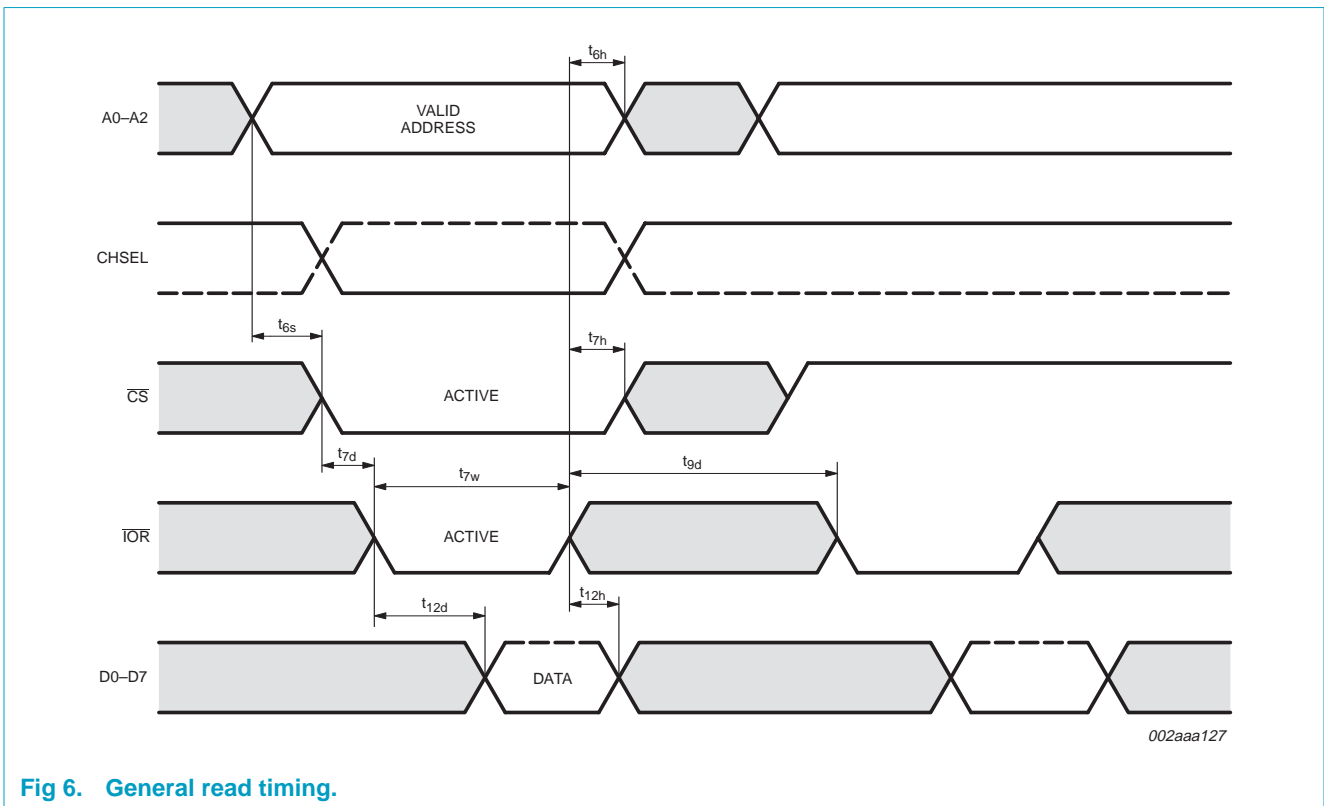


Fig 6. General read timing.

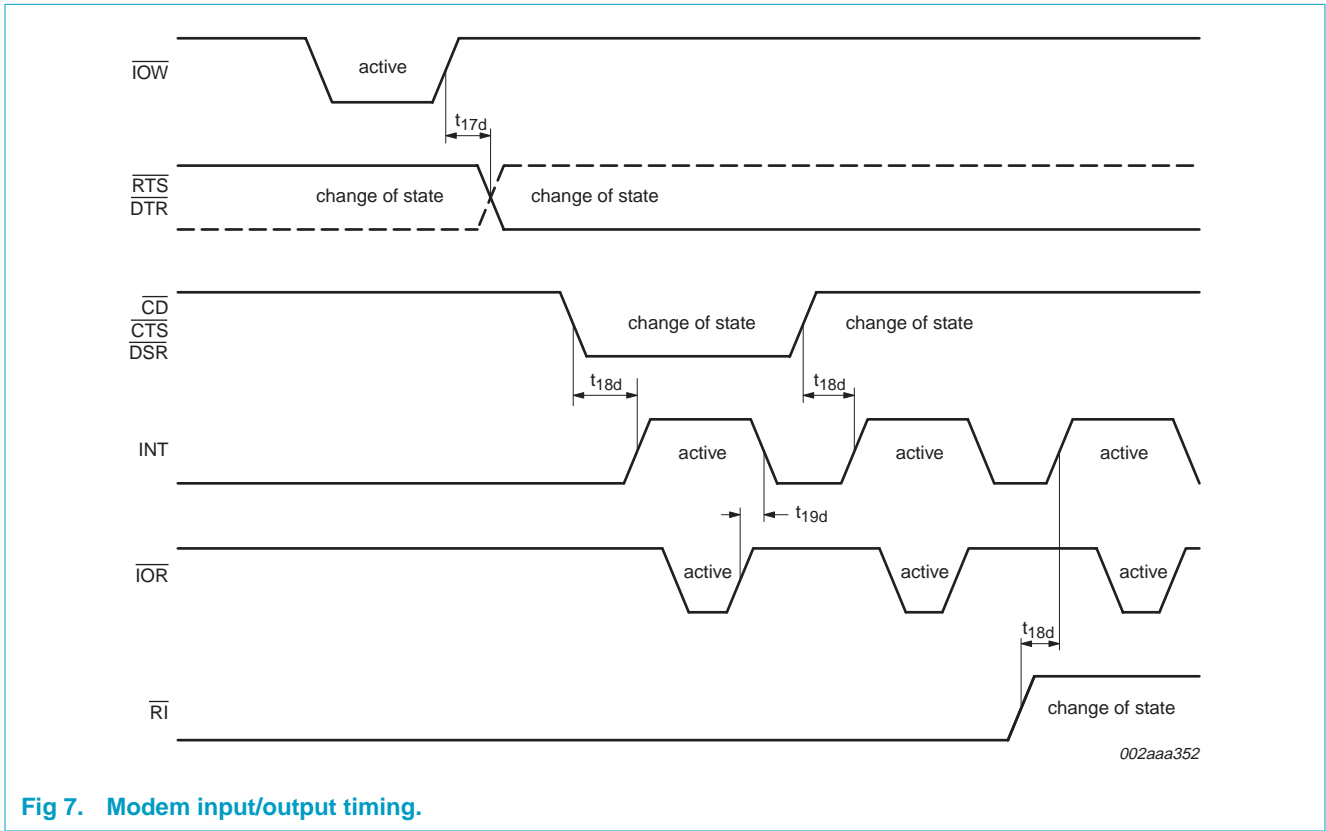


Fig 7. Modem input/output timing.

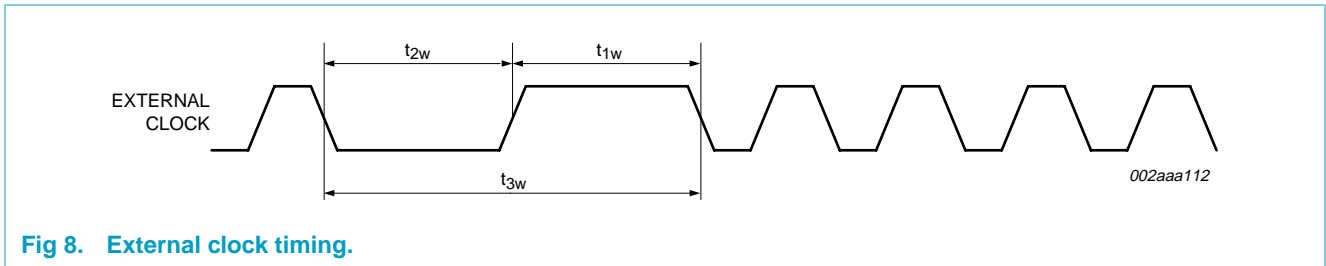


Fig 8. External clock timing.



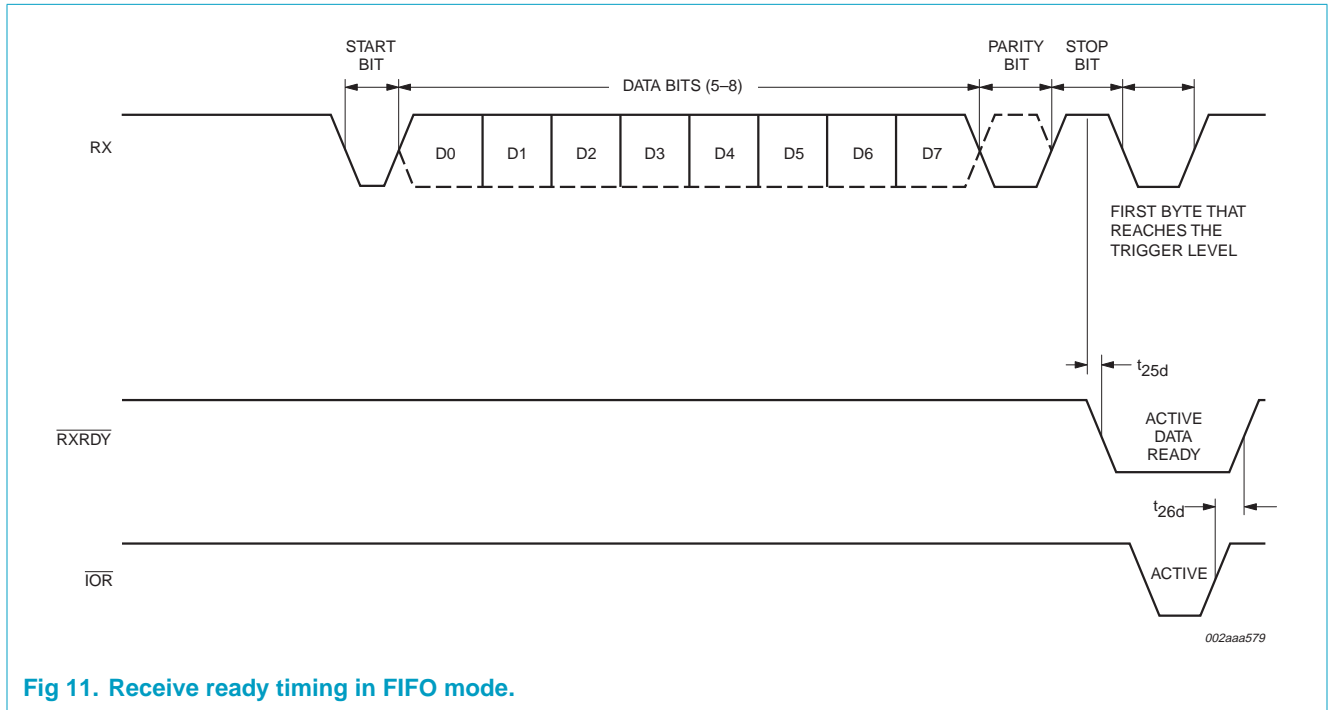


Fig 11. Receive ready timing in FIFO mode.

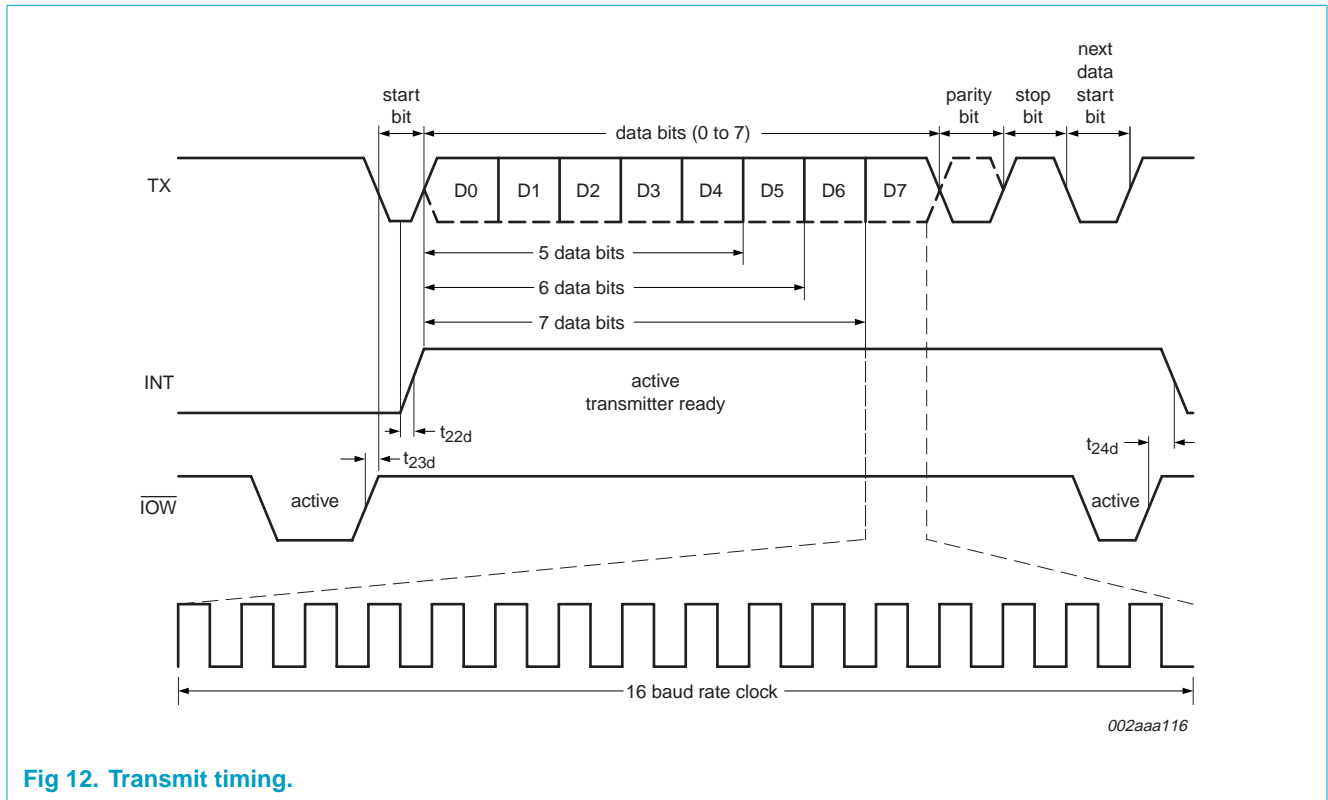


Fig 12. Transmit timing.

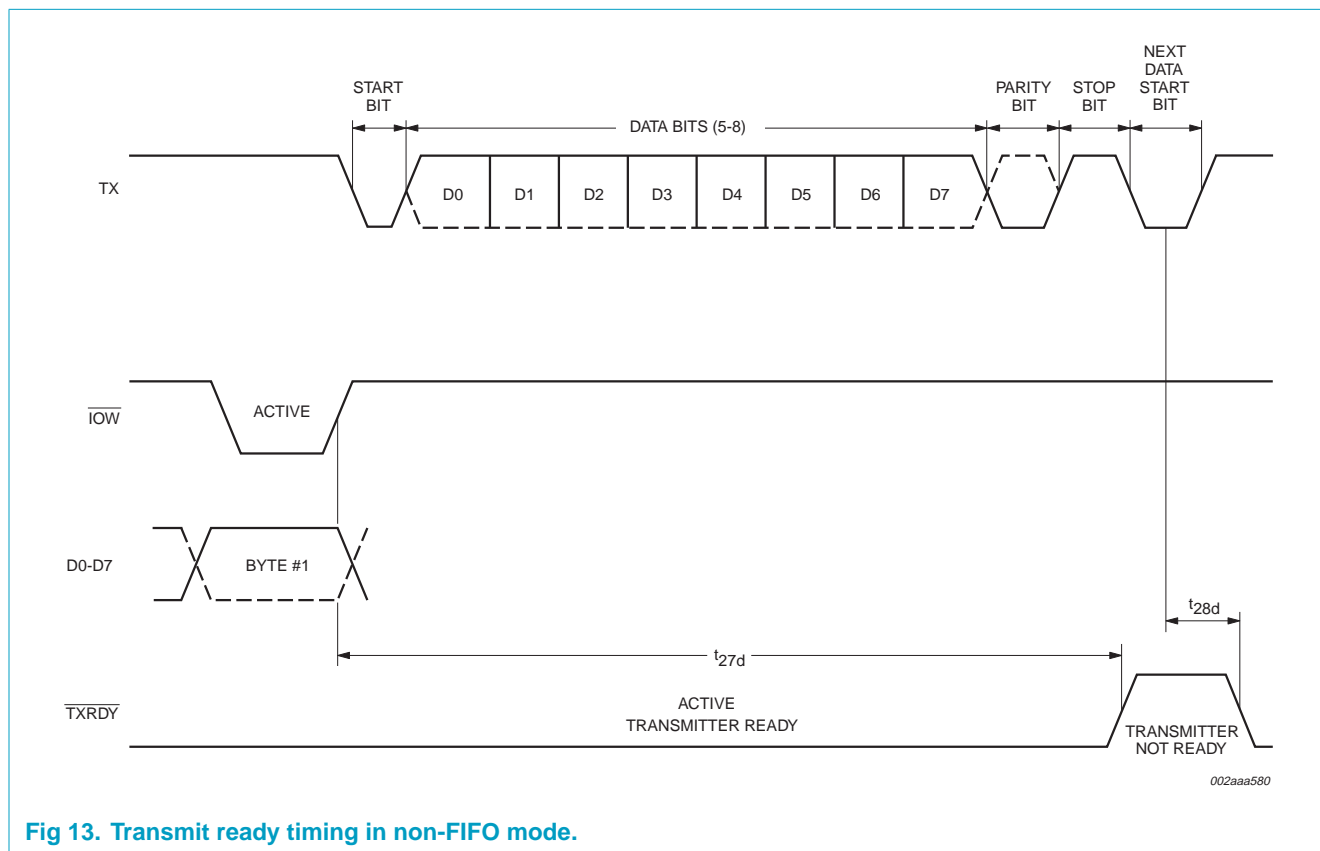


Fig 13. Transmit ready timing in non-FIFO mode.

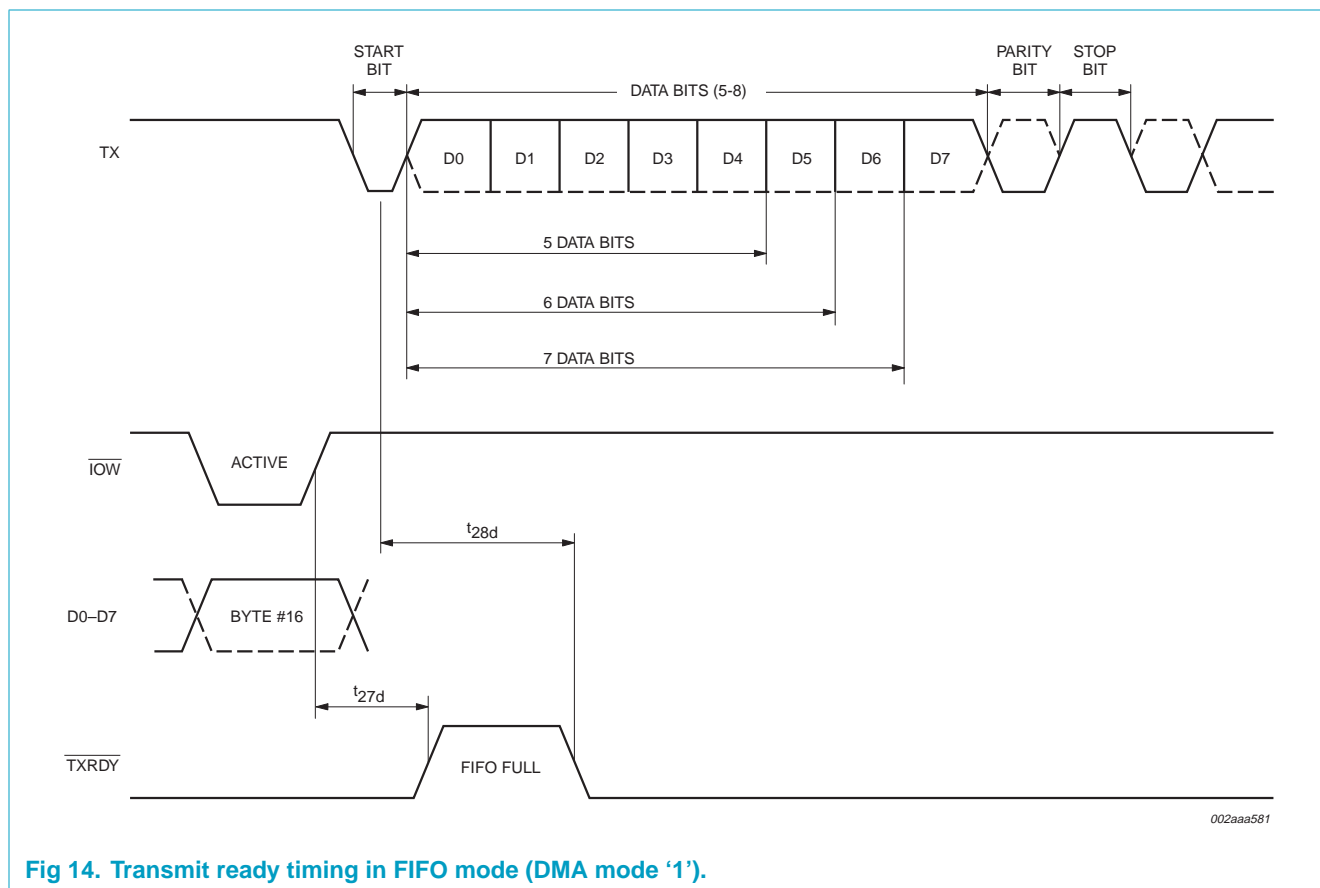


Fig 14. Transmit ready timing in FIFO mode (DMA mode '1').

### 11. Package outline

PLCC44: plastic leaded chip carrier; 44 leads

SOT187-2

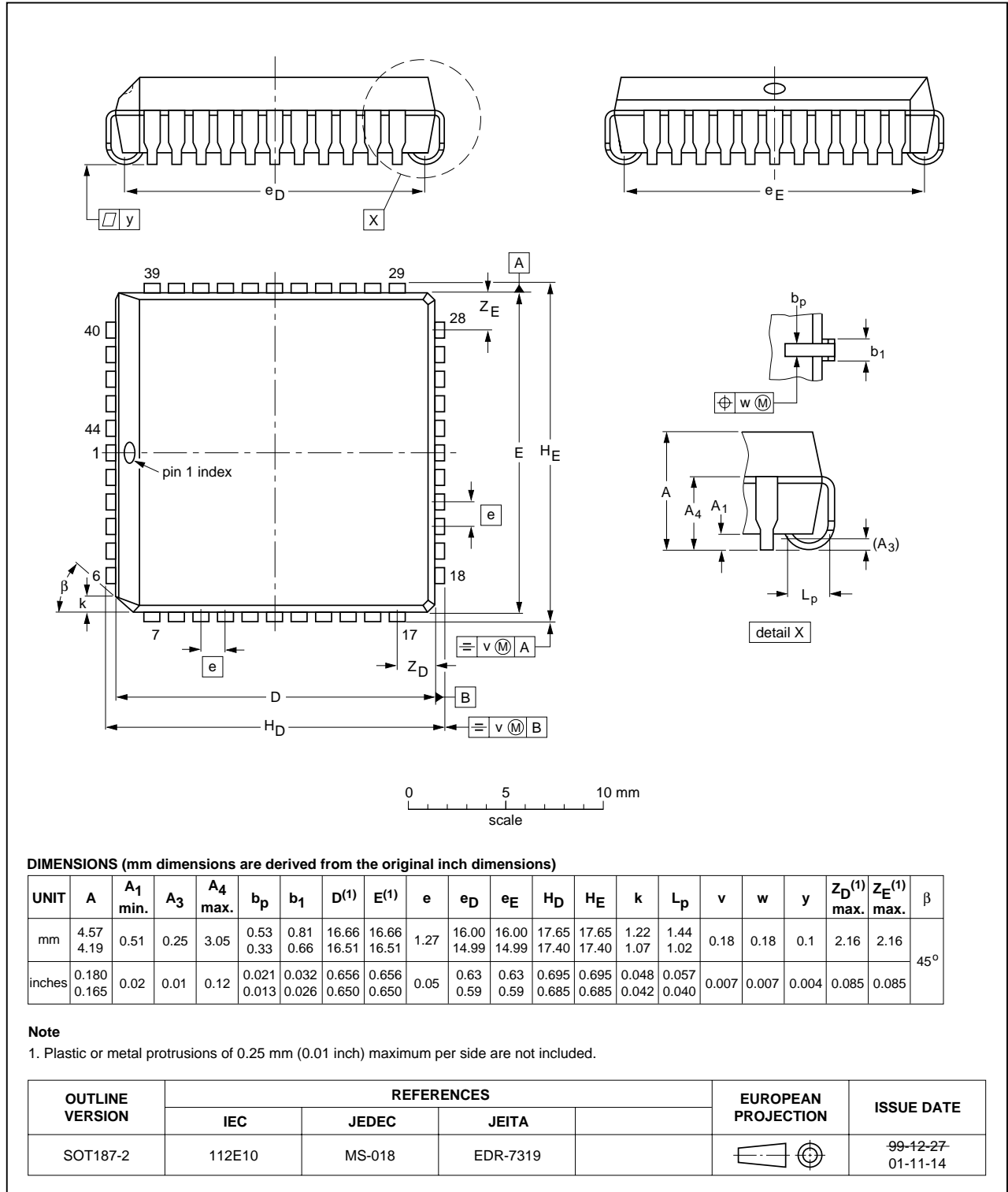


Fig 15. PLCC44 package outline (SOT187-2).



## 12. Soldering

### 12.1 Introduction to soldering surface mount packages

This text gives a very brief insight to a complex technology. A more in-depth account of soldering ICs can be found in our *Data Handbook IC26; Integrated Circuit Packages* (document order number 9398 652 90011).

There is no soldering method that is ideal for all surface mount IC packages. Wave soldering can still be used for certain surface mount ICs, but it is not suitable for fine pitch SMDs. In these situations reflow soldering is recommended. In these situations reflow soldering is recommended.

### 12.2 Reflow soldering

Reflow soldering requires solder paste (a suspension of fine solder particles, flux and binding agent) to be applied to the printed-circuit board by screen printing, stencilling or pressure-syringe dispensing before package placement. Driven by legislation and environmental forces the worldwide use of lead-free solder pastes is increasing.

Several methods exist for reflowing; for example, convection or convection/infrared heating in a conveyor type oven. Throughput times (preheating, soldering and cooling) vary between 100 and 200 seconds depending on heating method.

Typical reflow peak temperatures range from 215 to 270 °C depending on solder paste material. The top-surface temperature of the packages should preferably be kept:

- below 225 °C (SnPb process) or below 245 °C (Pb-free process)
  - for all BGA, HTSSON..T and SSOP..T packages
  - for packages with a thickness  $\geq 2.5$  mm
  - for packages with a thickness  $< 2.5$  mm and a volume  $\geq 350$  mm<sup>3</sup> so called thick/large packages.
- below 240 °C (SnPb process) or below 260 °C (Pb-free process) for packages with a thickness  $< 2.5$  mm and a volume  $< 350$  mm<sup>3</sup> so called small/thin packages.

Moisture sensitivity precautions, as indicated on packing, must be respected at all times.

### 12.3 Wave soldering

Conventional single wave soldering is not recommended for surface mount devices (SMDs) or printed-circuit boards with a high component density, as solder bridging and non-wetting can present major problems.

To overcome these problems the double-wave soldering method was specifically developed.

If wave soldering is used the following conditions must be observed for optimal results:

- Use a double-wave soldering method comprising a turbulent wave with high upward pressure followed by a smooth laminar wave.

- For packages with leads on two sides and a pitch (e):
  - larger than or equal to 1.27 mm, the footprint longitudinal axis is **preferred** to be parallel to the transport direction of the printed-circuit board;
  - smaller than 1.27 mm, the footprint longitudinal axis **must** be parallel to the transport direction of the printed-circuit board.

The footprint must incorporate solder thieves at the downstream end.

- For packages with leads on four sides, the footprint must be placed at a 45° angle to the transport direction of the printed-circuit board. The footprint must incorporate solder thieves downstream and at the side corners.

During placement and before soldering, the package must be fixed with a droplet of adhesive. The adhesive can be applied by screen printing, pin transfer or syringe dispensing. The package can be soldered after the adhesive is cured.

Typical dwell time of the leads in the wave ranges from 3 to 4 seconds at 250 °C or 265 °C, depending on solder material applied, SnPb or Pb-free respectively.

A mildly-activated flux will eliminate the need for removal of corrosive residues in most applications.

## 12.4 Manual soldering

Fix the component by first soldering two diagonally-opposite end leads. Use a low voltage (24 V or less) soldering iron applied to the flat part of the lead. Contact time must be limited to 10 seconds at up to 300 °C.

When using a dedicated tool, all other leads can be soldered in one operation within 2 to 5 seconds between 270 and 320 °C.

## 12.5 Package related soldering information

**Table 26: Suitability of surface mount IC packages for wave and reflow soldering methods**

| Package <sup>[1]</sup>   | Soldering method                  |                       |
|--|-----------------------------------|-----------------------|
|  | Wave                              | Reflow <sup>[2]</sup> |
| BGA, HTSSON..T <sup>[3]</sup> , LBGA, LFBGA, SQFP, SSOP..T <sup>[3]</sup> , TFBGA, USON, VFBGA | not suitable                      | suitable              |
| DHVQFN, HBCC, HBGA, HLQFP, HSO, HSOP, HSQFP, HSSON, HTQFP, HTSSOP, HVQFN, HVSON, SMS           | not suitable <sup>[4]</sup>       | suitable              |
| PLCC <sup>[5]</sup> , SO, SOJ  | suitable                          | suitable              |
| LQFP, QFP, TQFP  | not recommended <sup>[5][6]</sup> | suitable              |
| SSOP, TSSOP, VSO, VSSOP  | not recommended <sup>[7]</sup>    | suitable              |
| CWQCCN..L <sup>[8]</sup> , PMFP <sup>[9]</sup> , WQCCN..L <sup>[8]</sup>                       | not suitable                      | not suitable          |

[1] For more detailed information on the BGA packages refer to the *(LF)BGA Application Note* (AN01026); order a copy from your Philips Semiconductors sales office.

[2] All surface mount (SMD) packages are moisture sensitive. Depending upon the moisture content, the maximum temperature (with respect to time) and body size of the package, there is a risk that internal or external package cracks may occur due to vaporization of the moisture in them (the so called popcorn effect). For details, refer to the Drypack information in the *Data Handbook IC26; Integrated Circuit Packages; Section: Packing Methods*.

- [3] These transparent plastic packages are extremely sensitive to reflow soldering conditions and must on no account be processed through more than one soldering cycle or subjected to infrared reflow soldering with peak temperature exceeding  $217\text{ }^{\circ}\text{C} \pm 10\text{ }^{\circ}\text{C}$  measured in the atmosphere of the reflow oven. The package body peak temperature must be kept as low as possible.
- [4] These packages are not suitable for wave soldering. On versions with the heatsink on the bottom side, the solder cannot penetrate between the printed-circuit board and the heatsink. On versions with the heatsink on the top side, the solder might be deposited on the heatsink surface.
- [5] If wave soldering is considered, then the package must be placed at a  $45^{\circ}$  angle to the solder wave direction. The package footprint must incorporate solder thieves downstream and at the side corners.
- [6] Wave soldering is suitable for LQFP, QFP and TQFP packages with a pitch (e) larger than 0.8 mm; it is definitely not suitable for packages with a pitch (e) equal to or smaller than 0.65 mm.
- [7] Wave soldering is suitable for SSOP, TSSOP, VSO and VSOP packages with a pitch (e) equal to or larger than 0.65 mm; it is definitely not suitable for packages with a pitch (e) equal to or smaller than 0.5 mm.
- [8] Image sensor packages in principle should not be soldered. They are mounted in sockets or delivered pre-mounted on flex foil. However, the image sensor package can be mounted by the client on a flex foil by using a hot bar soldering process. The appropriate soldering profile can be provided on request.
- [9] Hot bar soldering or manual soldering is suitable for PMFP packages.

## 13. Revision history

Table 27: Revision history

| Rev | Date     | CPCN | Description  |
|-----|----------|------|--|
| 02  | 20041213 | -    | <b>Product data (9397 750 14442)</b><br>Modifications: <ul style="list-style-type: none"> <li>• There is no modification to the data sheet. However, reader is advised to refer to <i>AN10333 (Rev. 02) "SC16CXXXB baud rate deviation tolerance" (9397 750 14411)</i> that was released together with this revision.</li> </ul> |
| 01  | 20040330 | -    | <b>Product data (9397 750 11966)</b>   |

## 14. Data sheet status

| Level | Data sheet status <sup>[1]</sup> | Product status <sup>[2][3]</sup> | Definition   |
|-------|----------------------------------|----------------------------------|--|
| I     | Objective data                   | Development                      | This data sheet contains data from the objective specification for product development. Philips Semiconductors reserves the right to change the specification in any manner without notice.  |
| II    | Preliminary data                 | Qualification                    | This data sheet contains data from the preliminary specification. Supplementary data will be published at a later date. Philips Semiconductors reserves the right to change the specification without notice, in order to improve the design and supply the best possible product.             |
| III   | Product data                     | Production                       | This data sheet contains data from the product specification. Philips Semiconductors reserves the right to make changes at any time in order to improve the design, manufacturing and supply. Relevant changes will be communicated via a Customer Product/Process Change Notification (CPCN). |

[1] Please consult the most recently issued data sheet before initiating or completing a design.

[2] The product status of the device(s) described in this data sheet may have changed since this data sheet was published. The latest information is available on the Internet at URL <http://www.semiconductors.philips.com>.

[3] For data sheets describing multiple type numbers, the highest-level product status determines the data sheet status.

## 15. Definitions

**Short-form specification** — The data in a short-form specification is extracted from a full data sheet with the same type number and title. For detailed information see the relevant data sheet or data handbook.

**Limiting values definition** — Limiting values given are in accordance with the Absolute Maximum Rating System (IEC 60134). Stress above one or more of the limiting values may cause permanent damage to the device. These are stress ratings only and operation of the device at these or at any other conditions above those given in the Characteristics sections of the specification is not implied. Exposure to limiting values for extended periods may affect device reliability.

**Application information** — Applications that are described herein for any of these products are for illustrative purposes only. Philips Semiconductors make no representation or warranty that such applications will be suitable for the specified use without further testing or modification.

## 16. Disclaimers

**Life support** — These products are not designed for use in life support appliances, devices, or systems where malfunction of these products can reasonably be expected to result in personal injury. Philips Semiconductors customers using or selling these products for use in such applications do so at their own risk and agree to fully indemnify Philips Semiconductors for any damages resulting from such application.

**Right to make changes** — Philips Semiconductors reserves the right to make changes in the products - including circuits, standard cells, and/or software - described or contained herein in order to improve design and/or performance. When the product is in full production (status 'Production'), relevant changes will be communicated via a Customer Product/Process Change Notification (CPCN). Philips Semiconductors assumes no responsibility or liability for the use of any of these products, conveys no licence or title under any patent, copyright, or mask work right to these products, and makes no representations or warranties that these products are free from patent, copyright, or mask work right infringement, unless otherwise specified.

## Contact information

For additional information, please visit <http://www.semiconductors.philips.com>.

For sales office addresses, send e-mail to: [sales.addresses@www.semiconductors.philips.com](mailto:sales.addresses@www.semiconductors.philips.com).

Fax: +31 40 27 24825

## Contents

|          |  |           |           |   |           |
|----------|--|-----------|-----------|---|-----------|
| <b>1</b> | <b>Description</b> . . . . .                   | <b>1</b>  | <b>8</b>  | <b>Limiting values</b> . . . . .                | <b>23</b> |
| <b>2</b> | <b>Features</b> . . . . .                      | <b>1</b>  | <b>9</b>  | <b>Static characteristics</b> . . . . .         | <b>24</b> |
| <b>3</b> | <b>Ordering information</b> . . . . .          | <b>2</b>  | <b>10</b> | <b>Dynamic characteristics</b> . . . . .        | <b>25</b> |
| <b>4</b> | <b>Block diagram</b> . . . . .                 | <b>2</b>  | 10.1      | Timing diagrams . . . . .                       | 26        |
| <b>5</b> | <b>Pinning information</b> . . . . .           | <b>3</b>  | <b>11</b> | <b>Package outline</b> . . . . .                | <b>32</b> |
| 5.1      | Pinning . . . . .                              | 3         | <b>12</b> | <b>Soldering</b> . . . . .                      | <b>33</b> |
| 5.2      | Pin description . . . . .                      | 3         | 12.1      | Introduction to soldering surface mount         |           |
| <b>6</b> | <b>Functional description</b> . . . . .        | <b>6</b>  | 12.2      | packages . . . . .                              | 33        |
| 6.1      | UART A-B functions . . . . .                   | 6         | 12.3      | Reflow soldering . . . . .                      | 33        |
| 6.2      | Internal registers . . . . .                   | 7         | 12.4      | Wave soldering . . . . .                        | 33        |
| 6.3      | FIFO operation . . . . .                       | 8         | 12.5      | Manual soldering . . . . .                      | 34        |
| 6.4      | Time-out interrupts . . . . .                  | 8         | <b>13</b> | Package related soldering information . . . . . | 34        |
| 6.5      | Programmable baud rate generator . . . . .     | 8         | <b>14</b> | <b>Revision history</b> . . . . .               | <b>35</b> |
| 6.6      | DMA operation . . . . .                        | 10        | <b>15</b> | <b>Data sheet status</b> . . . . .              | <b>36</b> |
| 6.7      | Loop-back mode . . . . .                       | 10        | <b>16</b> | <b>Definitions</b> . . . . .                    | <b>36</b> |
| <b>7</b> | <b>Register descriptions</b> . . . . .         | <b>12</b> |           | <b>Disclaimers</b> . . . . .                    | <b>36</b> |
| 7.1      | Transmit (THR) and Receive (RHR)               |           |           |   |           |
|          | Holding Registers . . . . .                    | 13        |           |   |           |
| 7.2      | Interrupt Enable Register (IER) . . . . .      | 13        |           |   |           |
| 7.2.1    | IER versus Transmit/Receive FIFO interrupt     |           |           |   |           |
|          | mode operation . . . . .                       | 14        |           |   |           |
| 7.2.2    | IER versus Receive/Transmit FIFO polled        |           |           |   |           |
|          | mode operation . . . . .                       | 14        |           |   |           |
| 7.3      | FIFO Control Register (FCR) . . . . .          | 15        |           |   |           |
| 7.3.1    | DMA mode . . . . .                             | 15        |           |   |           |
| 7.3.2    | FIFO mode . . . . .                            | 15        |           |   |           |
| 7.4      | Interrupt Status Register (ISR) . . . . .      | 17        |           |   |           |
| 7.5      | Line Control Register (LCR) . . . . .          | 18        |           |   |           |
| 7.6      | Modem Control Register (MCR) . . . . .         | 19        |           |   |           |
| 7.7      | Line Status Register (LSR) . . . . .           | 20        |           |   |           |
| 7.8      | Modem Status Register (MSR) . . . . .          | 21        |           |   |           |
| 7.9      | Scratchpad Register (SPR) . . . . .            | 22        |           |   |           |
| 7.10     | Alternate Function Register (AFR) . . . . .    | 22        |           |   |           |
| 7.11     | SC16C2552B external reset conditions . . . . . | 23        |           |   |           |



**PHILIPS**

*Let's make things better.*