



AK4395

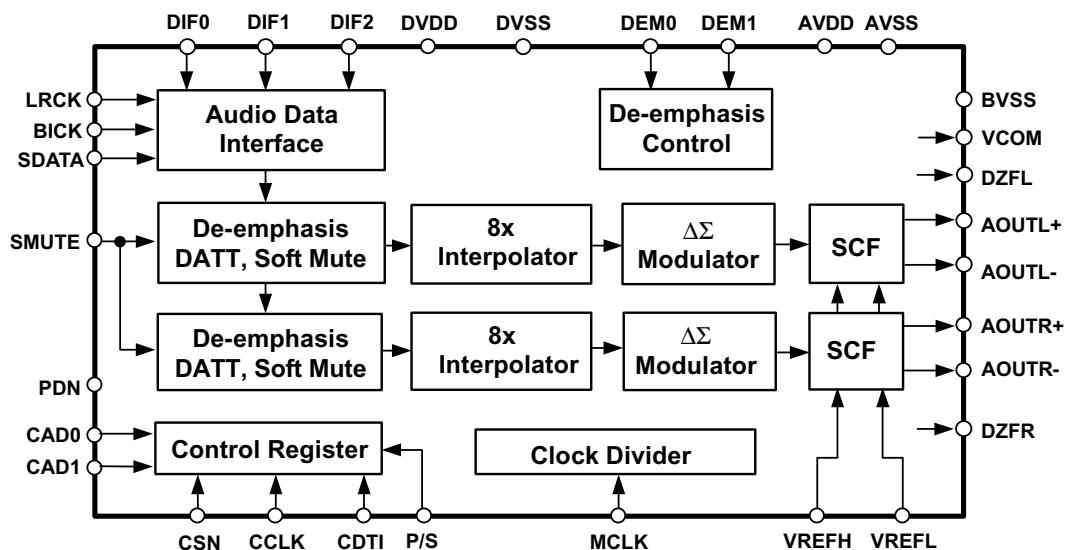
Advanced Multi-Bit 192kHz 24-Bit $\Delta\Sigma$ DAC

GENERAL DESCRIPTION

The AK4395 is a high performance stereo DAC for the 192kHz sampling mode of DVD-Audio including a 24bit digital filter. The digital filter has high stopband attenuation with 110dB or more that reduces wide band aliasing noise. The AK4395 introduces the advanced multi-bit system for $\Delta\Sigma$ modulator. This new architecture achieves the wider dynamic range, while keeping much the same superior distortion characteristics as conventional Single-Bit way. The analog outputs are filtered in the analog domain by switched-capacitor filter (SCF) with high tolerance to clock jitter. The AK4395 also includes digital volume, so the device is suitable for multi-channel audio system.

FEATURES

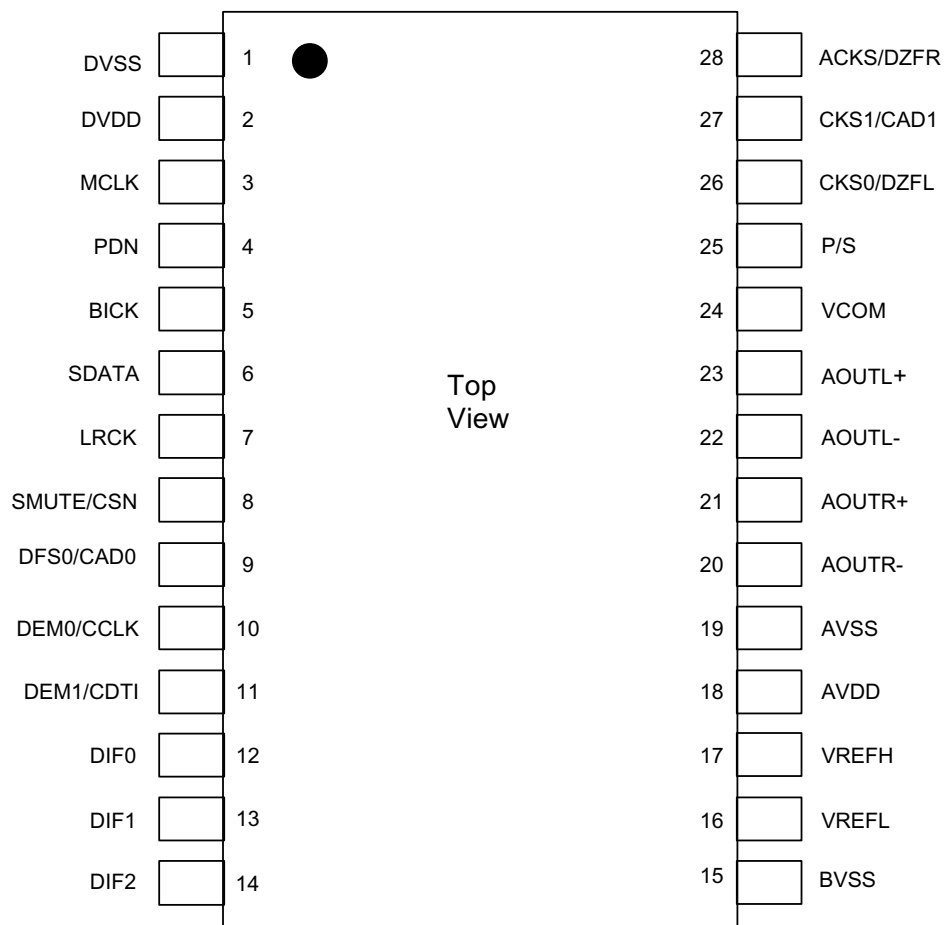
- 128x Oversampling
- Sampling Rate up to 192kHz
- High Performance 24Bit 8x Digital Filter (Slow Roll-off Option)
Ripple: $\pm 0.0002\text{dB}$, Attenuation: 110dB
- High Tolerance to Clock Jitter
- Low Distortion Differential Output
- Digital de-emphasis for 32, 44.1 & 48kHz sampling
- Channel Independent Digital Volume with Soft-transition
- Soft Mute
- THD+N: -100dB
- DR, S/N: 120dB
- I/F format: MSB justified, 16/20/24bit LSB justified, I^2S
- Master Clock: Normal Speed: 256fs, 384fs, 512fs or 768fs
Double Speed: 128fs, 192fs, 256fs or 384fs
Quad Speed: 128fs or 192fs
- Power Supply: $5V \pm 5\%$
- TTL Level Digital I/F
- Small Package: 28pin VSOP
- Pin Compatible with AK4393/4



■ Ordering Guide

AK4395VF -10 ~ +70 °C 28pin VSOP (0.65mm pitch)
 AKD4395 Evaluation Board

■ Pin Layout



■ Compatibility with AK4393/4

	AK4395	AK4394	AK4393
fs (max)	216kHz	216kHz	108kHz
DVDD	4.75~5.25V	4.75~5.25V	3~5.25V
Digital Filter Stopband Attenuation	110dB	75dB	75dB
Digital Volume	256 levels, 0.5dB	N/A	N/A
μP I/F Address Pin	CAD0/CAD1	N/A	N/A
De-emphasis filter	32k,44.1k,48k	32k,44.1k,48k,96k	32k,44.1k,48k,96k
Optional Filter	Slow Roll-off	Slow Roll-off	N/A
Zero Detection Pin	DZFL/DZFR	DZFL/DZFR	N/A

PIN/FUNCTION			
No.	Pin Name	I/O	Function
1	DVSS	-	Digital Ground Pin
2	DVDD	-	Digital Power Supply Pin, 5.0V
3	MCLK	I	Master Clock Input Pin
4	PDN	I	Power-Down Mode Pin When at "L", the AK4395 is in power-down mode and is held in reset. The AK4395 should always be reset upon power-up.
5	BICK	I	Audio Serial Data Clock Pin The clock of 64fs or more than is recommended to be input on this pin.
6	SDATA	I	Audio Serial Data Input Pin 2's complement MSB-first data is input on this pin.
7	LRCK	I	L/R Clock Pin
8	SMUTE	I	Soft Mute Pin in parallel mode When this pin goes "H", soft mute cycle is initiated. When returning "L", the output mute releases.
	CSN	I	Chip Select Pin in serial mode
9	DFS0	I	Sampling Speed Mode Select Pin in parallel mode (Internal pull-down pin) "L": Normal Speed, "H": Double Speed
	CAD0	I	Chip Address 0 Pin in serial mode (Internal pull-down pin)
10	DEM0	I	De-emphasis Enable Pin in parallel mode
	CCLK	I	Control Data Clock Pin in serial mode
11	DEM1	I	De-emphasis Enable Pin in parallel mode
	CDTI	I	Control Data Input Pin in serial mode
12	DIF0	I	Digital Input Format Pin
13	DIF1	I	Digital Input Format Pin
14	DIF2	I	Digital Input Format Pin
15	BVSS	-	Substrate Ground Pin, 0V
16	VREFL	I	Low Level Voltage Reference Input Pin
17	VREFH	I	High Level Voltage Reference Input Pin
18	AVDD	-	Analog Power Supply Pin, 5.0V
19	AVSS	-	Analog Ground Pin, 0V
20	AOUTR-	O	Rch Negative analog output Pin
21	AOUTR+	O	Rch Positive analog output Pin
22	AOUTL-	O	Lch Negative analog output Pin
23	AOUTL+	O	Lch Positive analog output Pin
24	VCOM	O	Common Voltage Output Pin, 2.6V
25	P/S	I	Parallel/Serial Select Pin (Internal pull-up pin) "L": Serial control mode, "H": Parallel control mode
26	CKS0	I	Master Clock Select Pin in parallel mode
	DZFL	O	Lch Zero Input Detect Pin in serial mode
27	CKS1	I	Master Clock Select Pin in parallel mode (Internal pull-down pin)
	CAD1	I	Chip Address 1 Pin in serial mode (Internal pull-down pin)
28	ACKS	I	Master Clock Auto Setting Mode Pin in parallel mode
	DZFR	O	Rch Zero Input Detect Pin in serial mode

Note: All input pins except internal pull-up/down pins should not be left floating.

ABSOLUTE MAXIMUM RATINGS

(AVSS, BVSS, DVSS = 0V; Note 1)

Parameter		Symbol	min	max	Units
Power Supplies:	Analog	AVDD	-0.3	6.0	V
	Digital	DVDD	-0.3	6.0	V
	BVSS-DVSS (Note 2)	Δ GND	-	0.3	V
Input Current , Any pin Except Supplies		IIN	-	\pm 10	mA
Input Voltage		VIND	-0.3	DVDD+0.3	V
Ambient Operating Temperature		Ta	-10	70	°C
Storage Temperature		Tstg	-65	150	°C

Notes: 1. All voltages with respect to ground.

2. AVSS, BVSS and DVSS must be connected to the same analog ground plane.

WARNING: Operation at or beyond these limits may result in permanent damage to the device.
Normal operation is not guaranteed at these extremes.

RECOMMENDED OPERATING CONDITIONS

(AVSS, BVSS, DVSS=0V; Note 1)

Parameter		Symbol	min	typ	max	Units
Power Supplies: (Note 3)	Analog	AVDD	4.75	5.0	5.25	V
	Digital	DVDD	4.75	5.0	5.25	V
Voltage Reference (Note 4)	“H” voltage reference	VREFH	AVDD-0.5	-	AVDD	V
	“L” voltage reference	VREFL	AVSS	-	-	V
	VREFH-VREFL	Δ VREF	3.0	-	AVDD	V

Notes: 3. The power up sequence between AVDD and DVDD is not critical.

4. Analog output voltage scales with the voltage of (VREFH-VREFL).

$$AOUT(\text{typ.}@0\text{dB}) = (AOUT+) - (AOUT-) = \pm 2.4V_{pp} \times (VREFH - VREFL) / 5.$$

* AKM assumes no responsibility for the usage beyond the conditions in this data sheet.

ANALOG CHARACTERISTICS

(Ta = 25°C; AVDD, DVDD = 5V; AVSS, BVSS, DVSS = 0V, VREFH = AVDD, VREFL = AVSS;
fs = 44.1kHz; BICK = 64fs; Signal Frequency = 1kHz; 24bit Input Data; Measurement Bandwidth = 20Hz~20kHz;
RL ≥ 600Ω; External circuit: Figure 12; unless otherwise specified)

Parameter	min	typ	max	Units	
Resolution			24	Bits	
Dynamic Characteristics (Note 5)					
THD+N	fs=44.1kHz	0dBFS	-100	-90	dB
	BW=20kHz	-60dBFS	-53	-	dB
	fs=96kHz	0dBFS	-97	-87	dB
	BW=40kHz	-60dBFS	-51	-	dB
Dynamic Range (-60dBFS with A-weighted)	(Note 6)	112	117	dB	
	(Note 7)	-	120	dB	
S/N (A-weighted)	(Note 8)	112	117	dB	
	(Note 7)	-	120	dB	
Interchannel Isolation (1kHz)	100	120		dB	
DC Accuracy					
Interchannel Gain Mismatch		0.15	0.3	dB	
Gain Drift (Note 9)		20	-	ppm/°C	
Output Voltage (Note 10)	±2.25	±2.4	±2.55	Vpp	
Load Resistance (Note 11)	600			Ω	
Output Current			3.5	mA	
Power Supplies					
Power Supply Current					
Normal Operation (PDN = "H")	AVDD	60	-	mA	
	DVDD(fs=44.1kHz)	7	-	mA	
	DVDD(fs=96kHz)	10	-	mA	
	DVDD(fs=192kHz)	17	-	mA	
	AVDD + DVDD			110	mA
Power-Down Mode (PDN = "L")	AVDD + DVDD (Note 12)	10	100	μA	
	Power Supply Rejection (Note 13)		50	dB	

Notes: 5. At 44.1kHz, measured by Audio Precision, System Two. Averaging mode.

At 96kHz and 192kHz, measured by ROHDE & SCHWARZ, UPD. Averaging mode.

Refer to the evaluation board manual.

6. 101dB at 16bit data and 116dB at 20bit data.

7. By Figure13. External LPF Circuit Example 2.

8. S/N does not depend on input bit length.

9. The voltage on (VREFH-VREFL) is held +5V externally.

10. Full-scale voltage(0dB). Output voltage scales with the voltage of (VREFH-VREFL).

AOOUT (typ.@0dB) = (AOOUT+) - (AOOUT-) = ±2.4Vpp×(VREFH-VREFL)/5.

11. For AC-load. 1kΩ for DC-load.

12. In the power-down mode. P/S = DVDD, and all other digital input pins including clock pins (MCLK, BICK and LRCK) are held DVSS.

13. PSR is applied to AVDD, DVDD with 1kHz, 100mVpp. VREFH pin is held +5V.

SHARP ROLL-OFF FILTER CHARACTERISTICS (fs = 44.1kHz)

(Ta = 25°C; AVDD, DVDD = 4.75~5.25V; fs = 44.1kHz; Normal Speed Mode; DEM = OFF; SLOW = "0")

Parameter	Symbol	min	typ	max	Units
Digital Filter					
Passband	±0.01dB (Note 14) -6.0dB	PB	0	22.05	20.0
			-		-
Stopband	(Note 14)	SB	24.1		kHz
Passband Ripple		PR		± 0.0002	dB
Stopband Attenuation		SA	110		dB
Group Delay	(Note 15)	GD	-	43.5	1/fs
Digital Filter + SCF					
Frequency Response	0 ~ 20.0kHz		-	± 0.1	dB

Note: 14. The passband and stopband frequencies scale with fs.

For example, PB = 0.4535×fs (@±0.01dB), SB = 0.546×fs.

15. The calculating delay time which occurred by digital filtering. This time is from setting the 16/20/24bit data of both channels to input register to the output of analog signal.

SHARP ROLL-OFF FILTER CHARACTERISTICS (fs = 96kHz)

(Ta = 25°C; AVDD, DVDD = 4.75~5.25V; fs = 96kHz; Double Speed Mode; DEM = OFF; SLOW = "0")

Parameter	Symbol	min	typ	max	Units
Digital Filter					
Passband	±0.01dB (Note 14) -6.0dB	PB	0	48.0	43.5
			-		-
Stopband	(Note 14)	SB	52.5		kHz
Passband Ripple		PR		± 0.0002	dB
Stopband Attenuation		SA	110		dB
Group Delay	(Note 15)	GD	-	43.5	1/fs
Digital Filter + SCF					
Frequency Response	0 ~ 40.0kHz		-	± 0.2	dB

SHARP ROLL-OFF FILTER CHARACTERISTICS (fs = 192kHz)

(Ta = 25°C; AVDD, DVDD = 4.75~5.25V; fs = 192kHz; Quad Speed Mode; DEM = OFF; SLOW = "0")

Parameter	symbol	min	typ	max	Units
Digital Filter					
Passband	±0.01dB (Note 14) -6.0dB	PB	0	96.0	87.0
			-		-
Stopband	(Note 14)	SB	105		kHz
Passband Ripple		PR		± 0.0002	dB
Stopband Attenuation		SA	110		dB
Group Delay	(Note 15)	GD	-	43.5	1/fs
Digital Filter + SCF					
Frequency Response	0 ~ 80.0kHz		-	+0/-0.5	dB

SLOW ROLL-OFF FILTER CHARACTERISTICS (fs = 44.1kHz)

(Ta = 25°C; AVDD, DVDD = 4.75~5.25V; fs = 44.1kHz; Normal Speed Mode; DEM = OFF; SLOW = "1")

Parameter	Symbol	min	typ	max	Units
Digital Filter					
Passband	±0.04dB (Note 16) -3.0dB	PB	0	18.2	8.1
			-		-
Stopband	(Note 16)	SB	39.2		kHz
Passband Ripple		PR		± 0.005	dB
Stopband Attenuation		SA	72		dB
Group Delay	(Note 15)	GD	-	43.5	1/fs
Digital Filter + SCF					
Frequency Response	0 ~ 20.0kHz		-	+0/-5	dB

Note: 16. The passband and stopband frequencies scale with fs.

For example, PB = 0.185×fs (@±0.04dB), SB = 0.888×fs.

SLOW ROLL-OFF FILTER CHARACTERISTICS (fs = 96kHz)

(Ta = 25°C; AVDD, DVDD = 4.75~5.25V; fs = 96kHz; Double Speed Mode; DEM0 = OFF; SLOW = "1")

Parameter	Symbol	min	typ	max	Units
Digital Filter					
Passband	±0.04dB (Note 16) -3.0dB	PB	0	39.6	17.7
			-		-
Stopband	(Note 16)	SB	85.3		kHz
Passband Ripple		PR		± 0.005	dB
Stopband Attenuation		SA	72		dB
Group Delay	(Note 15)	GD	-	43.5	1/fs
Digital Filter + SCF					
Frequency Response	0 ~ 40.0kHz		-	+0/-4	dB

SLOW ROLL-OFF FILTER CHARACTERISTICS (fs = 192kHz)

(Ta = 25°C; AVDD, DVDD = 4.75~5.25V; fs = 192kHz; Quad Speed Mode; DEM = OFF; SLOW = "1")

Parameter	Symbol	min	typ	max	Units
Digital Filter					
Passband	±0.04dB (Note 16) -3.0dB	PB	0	79.1	35.5
			-		-
Stopband	(Note 16)	SB	171		kHz
Passband Ripple		PR		± 0.005	dB
Stopband Attenuation		SA	72		dB
Group Delay	(Note 15)	GD	-	43.5	1/fs
Digital Filter + SCF					
Frequency Response	0 ~ 80.0kHz		-	+0/-5	dB

DC CHARACTERISTICS

(Ta = 25°C; AVDD, DVDD = 4.75~5.25V)

Parameter	Symbol	min	typ	max	Units
High-Level Input Voltage	VIH	2.2	-	-	V
Low-Level Input Voltage	VIL	-	-	0.8	V
High-Level Output Voltage (Iout = -100μA)	VOH	DVDD-0.5	-	-	V
Low-Level Output Voltage (Iout = 100μA)	VOL	-	-	0.5	V
Input Leakage Current (Note 17)	Iin	-	-	± 10	μA

Note: 17. DFS0/CAD0, CKS1/CAD1 and P/S pins have internal pull-down or pull-up devices, nominally 100kΩ.

SWITCHING CHARACTERISTICS

(Ta = 25°C; AVDD, DVDD = 4.75~5.25V; CL = 20pF)

Parameter	Symbol	min	typ	max	Units
Master Clock Timing					
Frequency	fCLK	7.7		41.472	MHz
Duty Cycle	dCLK	40		60	%
LRCK Frequency (Note 18)					
Normal Speed Mode	fsn	30		54	kHz
Double Speed Mode	fsd	60		108	kHz
Quad Speed Mode	fsq	120		216	kHz
Duty Cycle	Duty	45		55	%
Serial Interface Timing					
BICK Period					
Normal Speed Mode	tBCK	1/128fs			ns
Double Speed Mode	tBCK	1/64fs			ns
Quad Speed Mode	tBCK	1/64fs			ns
BICK Pulse Width Low	tBCKL	30			ns
Pulse Width High	tBCKH	30			ns
BICK “↑” to LRCK Edge (Note 19)	tBLR	20			ns
LRCK Edge to BICK “↑” (Note 19)	tLRB	20			ns
SDATA Hold Time	tSDH	20			ns
SDATA Setup Time	tSDS	20			ns
Control Interface Timing					
CCLK Period	tCCK	200			ns
CCLK Pulse Width Low	tCCKL	80			ns
Pulse Width High	tCCKH	80			ns
CDTI Setup Time	tCDS	50			ns
CDTI Hold Time	tCDH	50			ns
CSN High Time	tCSW	150			ns
CSN “↓” to CCLK “↑”	tCSS	50			ns
CCLK “↑” to CSN “↑”	tCSH	50			ns
Reset Timing					
PDN Pulse Width (Note 20)	tPD	150			ns

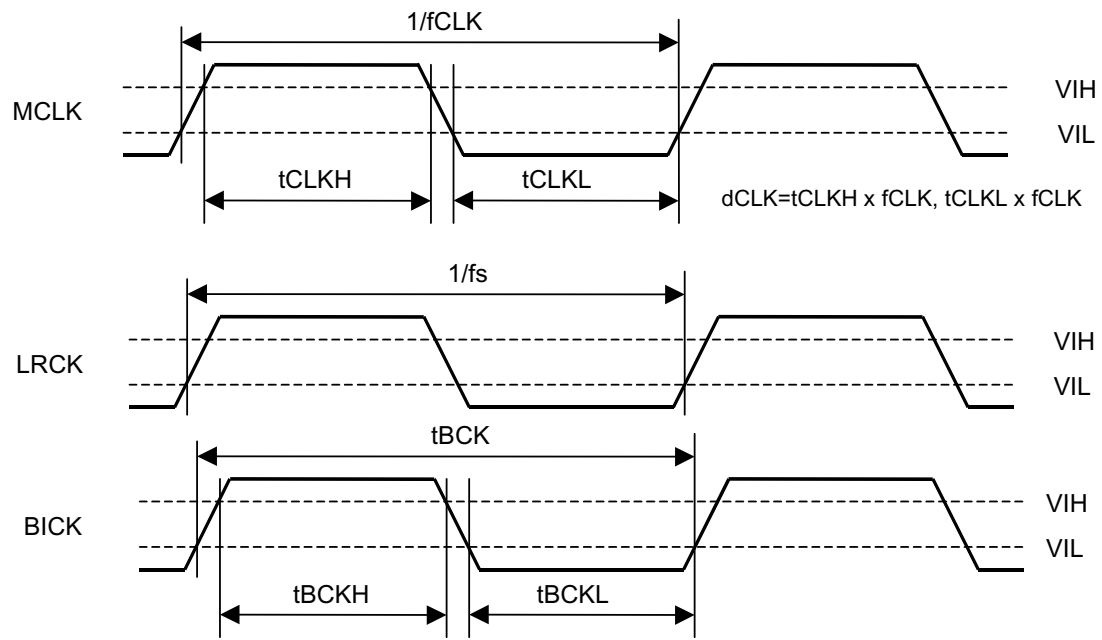
Notes: 18. When the normal/double/quad speed modes are switched, AK4395 should be reset by PDN pin or RSTN bit.

19. BICK rising edge must not occur at the same time as LRCK edge.

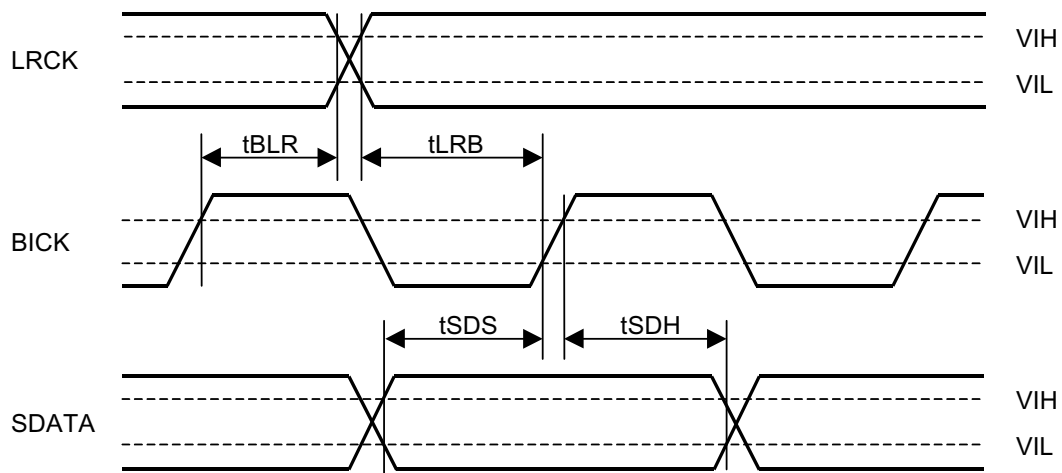
20. The AK4395 can be reset by bringing PDN “L” to “H”.

When the states of CKS2-0 or DFS1-0 change, the AK4395 should be reset by PDN pin or RSTN bit.

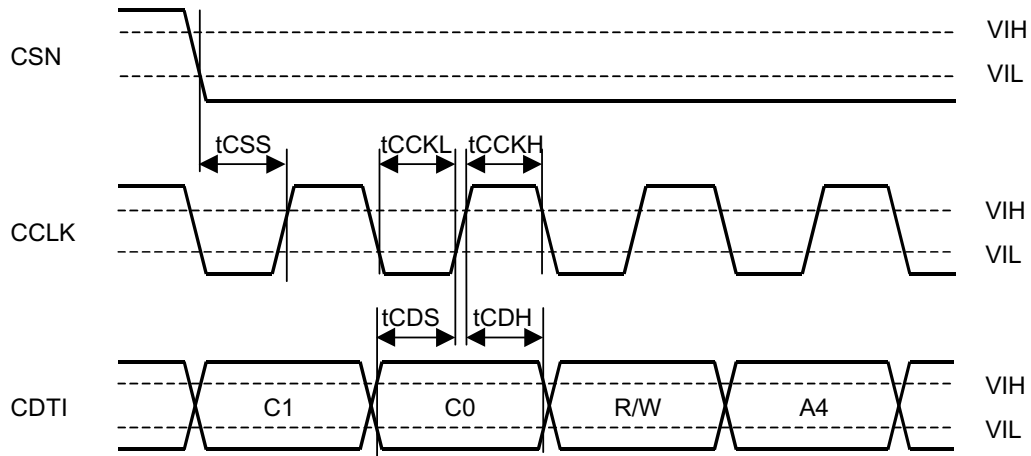
■ Timing Diagram



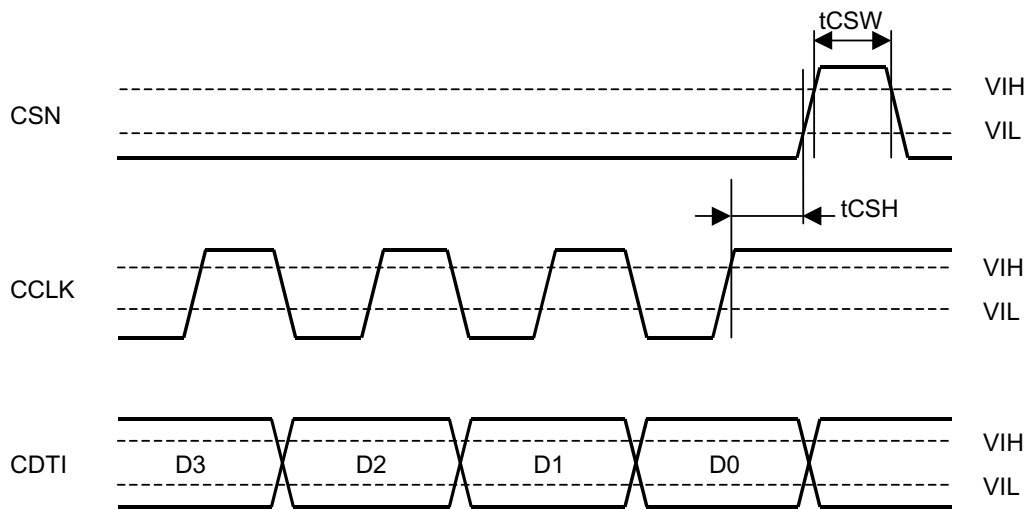
Clock Timing



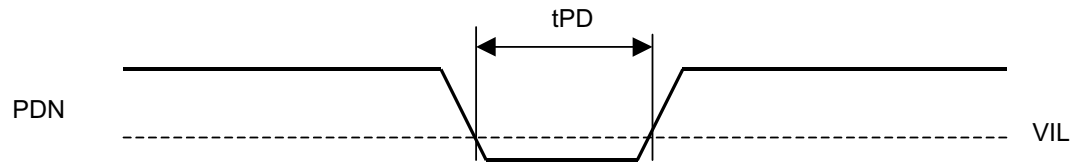
Audio Interface Timing



WRITE Command Input Timing



WRITE Data Input Timing



Power-down Timing

OPERATION OVERVIEW

■ System Clock

The external clocks, which are required to operate the AK4395, are MCLK, LRCK and BICK. The master clock (MCLK) should be synchronized with LRCK but the phase is not critical. The MCLK is used to operate the digital interpolation filter and the delta-sigma modulator. There are two methods to set MCLK frequency. In Manual Setting Mode (ACKS = "0": Register 00H), the sampling speed is set by DFS0/1 (Table 1). CKS0/1/2 set the frequency of MCLK at each sampling speed (Table 2). In Auto Setting Mode (ACKS = "1": Default), as MCLK frequency is detected automatically (Table 6), and the internal master clock becomes the appropriate frequency, it is not necessary to set DFS0/1 and CKS0/1/2. In parallel mode, CKS2 and DFS1 are fixed to "0".

All external clocks (MCLK, BICK and LRCK) should always be present whenever the AK4395 is in normal operation mode (PD = "H"). If these clocks are not provided, the AK4395 may draw excess current because the device utilizes dynamic refreshed logic internally. If the external clocks are not present, the AK4395 should be in the power-down mode (PDN = "L") or in the reset mode (RSTN = "0"). After exiting reset at power-up etc., the AK4395 is in power-down mode until MCLK and LRCK are input.

DFS1	DFS0	Sampling Rate (fs)		Default
0	0	Normal Speed Mode	30kHz~54kHz	
0	1	Double Speed Mode	60kHz~108kHz	
1	0	Quad Speed Mode	120kHz~216kHz	

Table 1. Sampling Speed (Manual Setting Mode)

Mode	CKS2	CKS1	CKS0	Normal	Double	Quad	Default
0	0	0	0	256fs	128fs	N/A	
1	0	0	1	256fs	256fs	N/A	
2	0	1	0	384fs	192fs	N/A	
3	0	1	1	384fs	384fs	N/A	
4	1	0	0	512fs	256fs	128fs	
5	1	0	1	512fs	N/A	N/A	
6	1	1	0	768fs	384fs	192fs	
7	1	1	1	768fs	N/A	N/A	

Table 2. System Clocks (Manual Setting Mode)

Note: The master clock at quad speed supports only 128fs or 192fs.

LRCK	MCLK				BICK
fs	256fs	384fs	512fs	768fs	64fs
32.0kHz	8.1920MHz	12.2880MHz	16.3840MHz	24.5760MHz	2.0480MHz
44.1kHz	11.2896MHz	16.9344MHz	22.5792MHz	33.8688MHz	2.8224MHz
48.0kHz	12.2880MHz	18.4320MHz	24.5760MHz	36.8640MHz	3.0720MHz

Table 3. System clock example (Normal Speed Mode @Manual Setting Mode)

LRCK fs	MCLK				BICK 64fs
	128fs	192fs	256fs	384fs	
88.2kHz	11.2896MHz	16.9344MHz	22.5792MHz	33.8688MHz	5.6448MHz
96.0kHz	12.2880MHz	18.4320MHz	24.5760MHz	36.8640MHz	6.1440MHz

Table 4. System clock example (Double Speed Mode @Manual Setting Mode)

LRCK fs	MCLK		BICK 64fs
	128fs	192fs	
176.4kHz	22.5792MHz	33.8688MHz	11.2896MHz
192.0kHz	24.5760MHz	36.8640MHz	12.2880MHz

Table 5. System clock example (Quad Speed Mode @Manual Setting Mode)

MCLK		Sampling Speed
512fs	768fs	Normal
256fs	384fs	Double
128fs	192fs	Quad

Table 6. Sampling Speed (Auto Setting Mode)

LRCK fs	MCLK (MHz)						Sampling Speed
	128fs	192fs	256fs	384fs	512fs	768fs	
32.0kHz	-	-	-	-	16.3840	24.5760	Normal
44.1kHz	-	-	-	-	22.5792	33.8688	
48.0kHz	-	-	-	-	24.5760	36.8640	
88.2kHz	-	-	22.5792	33.8688	-	-	Double
96.0kHz	-	-	24.5760	36.8640	-	-	
176.4kHz	22.5792	33.8688	-	-	-	-	Quad
192.0kHz	24.5760	36.8640	-	-	-	-	

Table 7. System clock example (Auto Setting Mode)

■ Audio Serial Interface Format

Data is shifted in via the SDATA pin using BICK and LRCK inputs. Five data formats are supported and selected by the DIF0-2 as shown in Table 8. In all formats the serial data is MSB-first, 2's complement format and is latched on the rising edge of BICK. Mode 2 can be used for 20 and 16 MSB justified formats by zeroing the unused LSBs.

Mode	DIF2	DIF1	DIF0	Mode	BICK	Figure
0	0	0	0	0: 16bit LSB Justified	≥32fs	Figure 1
1	0	0	1	1: 20bit LSB Justified	≥40fs	Figure 2
2	0	1	0	2: 24bit MSB Justified	≥48fs	Figure 3
3	0	1	1	3: I ² S Compatible	≥48fs	Figure 4
4	1	0	0	4: 24bit LSB Justified	≥48fs	Figure 2

Table 8. Audio Data Formats

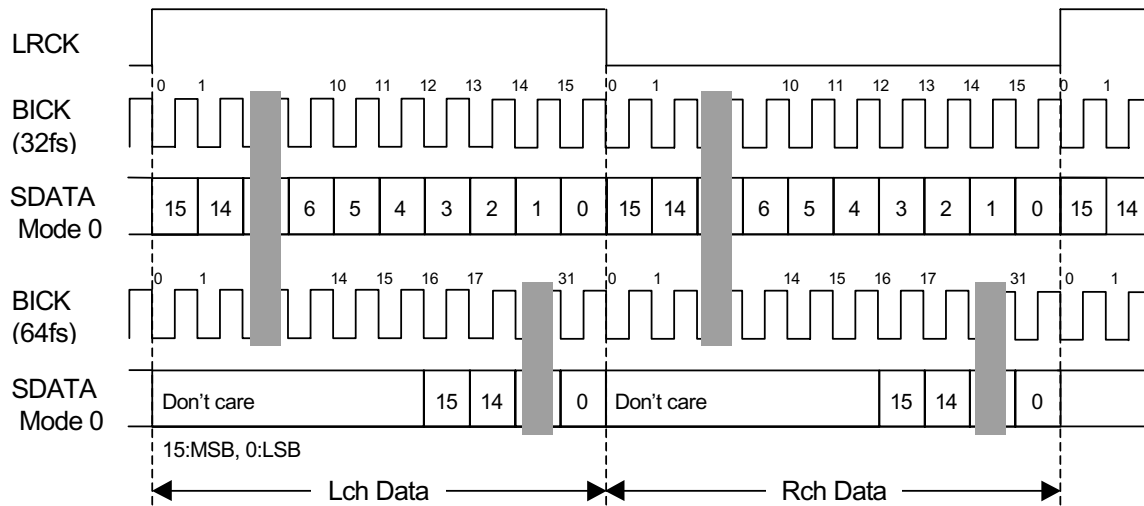


Figure 1. Mode 0 Timing

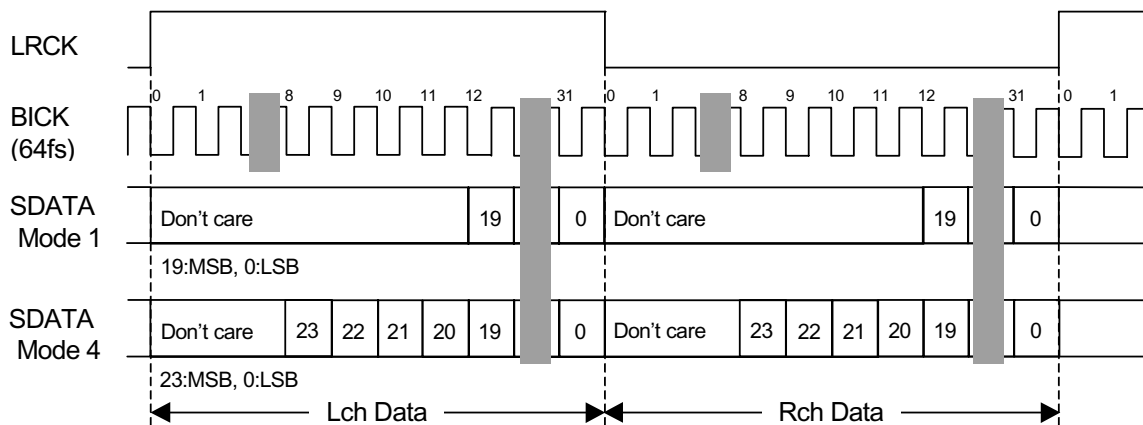


Figure 2. Mode 1,4 Timing

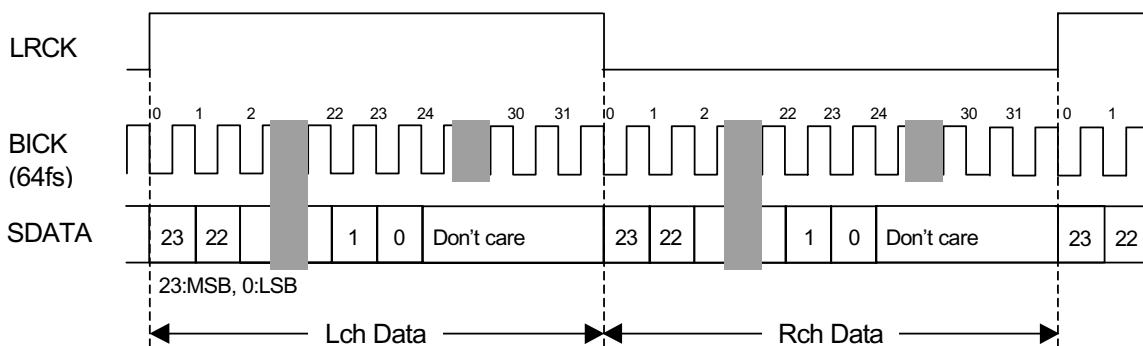


Figure 3. Mode 2 Timing

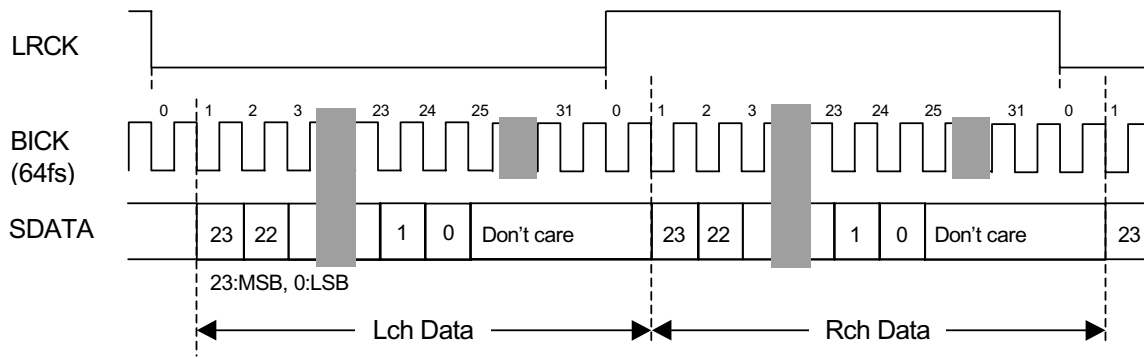


Figure 4. Mode 3 Timing

■ De-emphasis filter

A digital de-emphasis filter is available for 32, 44.1 or 48kHz sampling rates ($t_c = 50/15\mu s$) and is enabled or disabled with DEM0 and DEM1. In case of double speed and quad speed mode, the digital de-emphasis filter is always off.

DEM1	DEM0	Mode	
0	0	44.1kHz	Default
0	1	OFF	
1	0	48kHz	
1	1	32kHz	

Table 9. De-emphasis filter control (Normal Speed Mode)

■ Output Volume

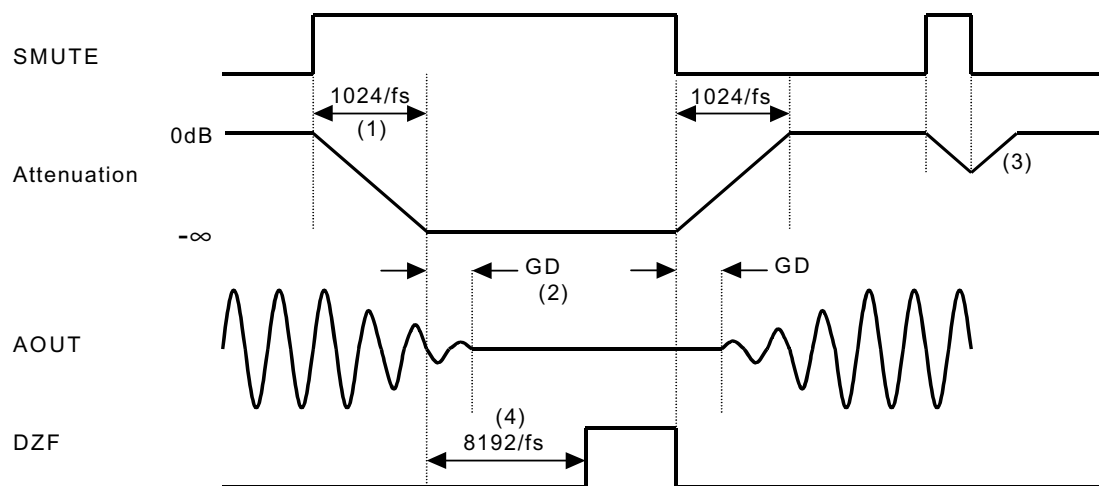
The AK4395 includes channel independent digital output volumes (ATT) with 256 levels at 0.5dB steps including MUTE. These volumes are in front of the DAC and can attenuate the input data from 0dB to -127dB and mute. When changing levels, transitions are executed via soft changes; thus no switching noise occurs during these transitions.

■ Zero detection

The AK4395 has channel-independent zeros detect function. When the input data at each channel is continuously zeros for 8192 LRCK cycles, DZF pin of each channel goes to “H”. DZF pin of each channel immediately goes to “L” if input data of each channel is not zero after going DZF “H”. If RSTN bit is “0”, DZF pins of both channels go to “H”. DZF pins of both channels go to “L” at $4\sim 5/f_s$ after RSTN bit returns to “1”. If DZFM bit is set to “1”, DZF pins of both channels go to “H” only when the input data at both channels are continuously zeros for 8192 LRCK cycles. Zero detect function can be disabled by DZFE bit. In this case, DZF pins of both channels are always “L”. DZFB bit can invert the polarity of DZF pin.

■ Soft mute operation

Soft mute operation is performed at digital domain. When SMUTE goes to “H”, the output signal is attenuated by $-\infty$ during 1024 LRCK cycles. When SMUTE is returned to “L”, the mute is cancelled and the output attenuation gradually changes to 0dB during 1024 LRCK cycles. If the soft mute is cancelled within 1024 LRCK cycles after starting the operation, the attenuation is discontinued and returned to 0dB. The soft mute is effective for changing the signal source without stopping the signal transmission.



Notes:

- (1) The output signal is attenuated by $-\infty$ during 1024 LRCK cycles ($1024/f_s$).
- (2) Analog output corresponding to digital input has the group delay (GD).
- (3) If the soft mute is cancelled within 1024 LRCK cycles, the attenuation is discontinued and returned to 0dB.
- (4) When the input data at each channel is continuously zeros for 8192 LRCK cycles, DZF pin of each channel goes to “H”. DZF pin immediately goes to “L” if input data are not zero after going DZF “H”.

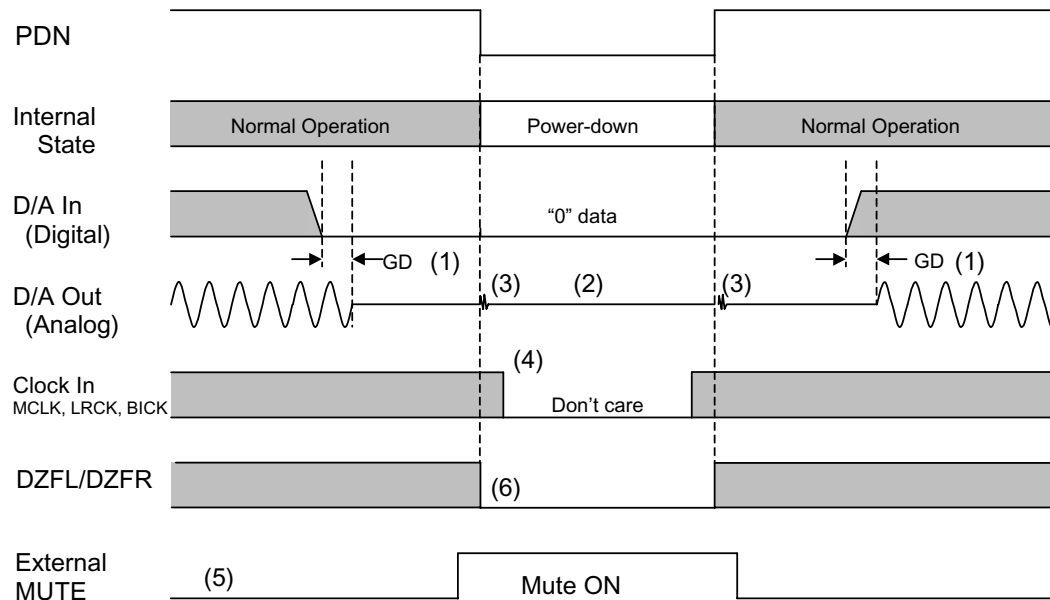
Figure 5. Soft mute and zero detection

■ System Reset

The AK4395 should be reset once by bringing PDN = "L" upon power-up. The AK4395 is powered up and the internal timing starts clocking by LRCK "↑" after exiting reset and power down state by MCLK. The AK4395 is in the power-down mode until MCLK and LRCK are input.

■ Power-Down

The AK4395 is placed in the power-down mode by bringing PDN pin "L" and the analog outputs are floating (Hi-Z). Figure 6 shows an example of the system timing at the power-down and power-up.



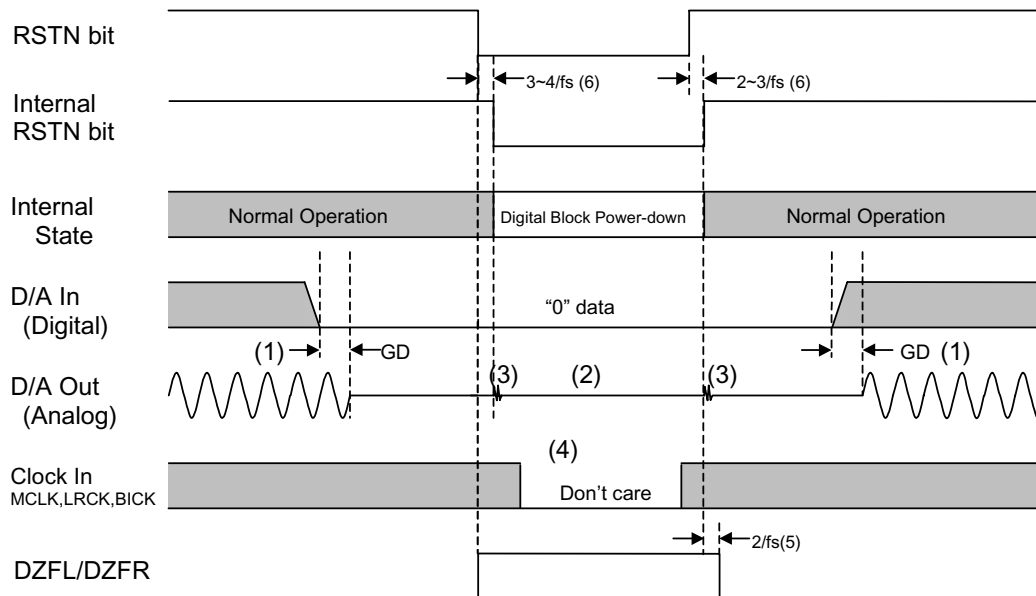
Notes:

- (1) The analog output corresponding to digital input has the group delay (GD).
- (2) Analog outputs are floating (Hi-Z) at the power-down mode.
- (3) Click noise occurs at the edge of PDN signal. This noise is output even if "0" data is input.
- (4) The external clocks (MCLK, BICK and LRCK) can be stopped in the power-down mode (PDN = "L").
- (5) Please mute the analog output externally if the click noise (3) influences system application.
The timing example is shown in this figure.
- (6) DZF pins are "L" in the power-down mode (PDN = "L").

Figure 6. Power-down/up sequence example

■ Reset Function

When RSTN = "0", the AK4395's digital section is powered down but the internal register values are not initialized. The analog outputs go to VCOM voltage and DZF pins of both channels go to "H". Figure 7 shows the example of reset by RSTN bit.



Notes:

- (1) The analog output corresponding to digital input has the group delay (GD).
- (2) Analog outputs go to VCOM voltage.
- (3) Click noise occurs at the edges ("↑ ↓") of the internal timing of RSTN bit. This noise is output even if "0" data is input.
- (4) The external clocks (MCLK, BICK and LRCK) can be stopped in the reset mode (RSTN = "L").
- (5) DZF pins go to "H" when the RSTN bit becomes "0", and go to "L" at $2/f_s$ after RSTN bit becomes "1".
- (6) There is a delay, $3 \sim 4/f_s$ from RSTN bit "0" to the internal RSTN bit "0", and $2 \sim 3/f_s$ from RSTN bit "1" to the internal RSTN "1".

Figure 7. Reset sequence example

■ Mode Control Interface

Pins (parallel control mode) or registers (serial control mode) can control each functions of the AK4395. For DIF0/1/2, the setting of pin and register are “ORed” internally. So, even serial control mode, these functions can be also controlled by pin setting.

The serial control interface is enabled by the P/S pin = “L”. In this mode, pin setting must be all “L”. Internal registers may be written by 3-wire μ P interface pins: CSN, CCLK and CDTI. The data on this interface consists of Chip address (2bits, CAD0/1), Read/Write (1bit; fixed to “1”), Register address (MSB first, 5bits) and Control data (MSB first, 8bits). The AK4395 latches the data on the rising edge of CCLK, so data should be clocked in on the falling edge. The writing of data becomes valid by CSN “ \uparrow ”. The clock speed of CCLK is 5MHz (max). The CSN and CCLK must be fixed to “H” when the register does not be accessed.

Function	Parallel mode	Serial mode
Auto Setting Mode	O	O
Manual Setting Mode	O (Partially)	O
De-emphasis	O	O
SMUTE	O	O
Zero Detection	X	O
Slow roll-off response	X	O
Digital Attenuator	X	O

Table 10. Function List (O: Available, X: Not available)

PDN = “L” resets the registers to their default values. When the state of P/S pin is changed, the AK4395 should be reset by PDN = “L”. In serial mode, the internal timing circuit is reset by RSTN bit, but the registers are not initialized.

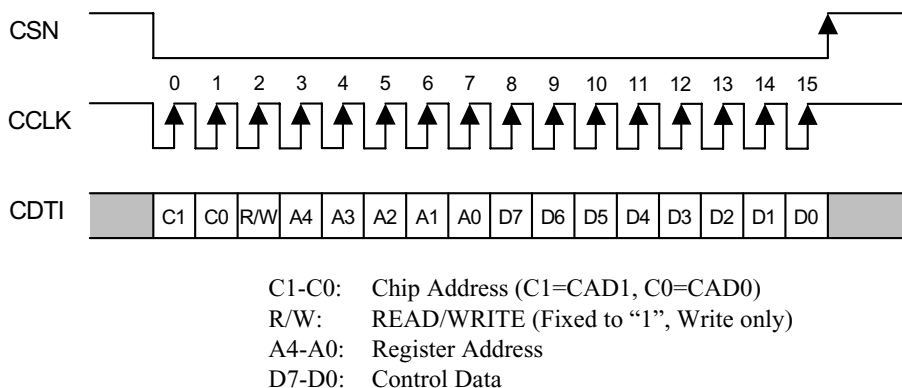


Figure 8. Control I/F Timing

*When the AK4395 is in the power down mode (PDN = “L”) or the MCLK is not provided, writing into the control register is inhibited.

*For setting the registers, the following sequence is recommended.

- Control 1 register
 - (1) Writing RSTN = “0” and other bits (D7-D1) to the register at the same time.
 - (2) Writing RSTN = “1” to the register. The other bits are no change.
- Control 2 register

This writing sequence has no limitation like control 1 register.
When setting DEM0/1 and SMUTE, RSTN is not needed.

■ Register Map

Addr	Register Name	D7	D6	D5	D4	D3	D2	D1	D0
00H	Control 1	ACKS	CKS2	CKS1	CKS0	DIF2	DIF1	DIF0	RSTN
01H	Control 2	DZFE	DZFM	SLOW	DFS1	DFS0	DEM1	DEM0	SMUTE
02H	Output Gain	GA1	GA0	0	0	0	DZFB	0	0
03H	AOUTL ATT Control	ATT7	ATT6	ATT5	ATT4	ATT3	ATT2	ATT1	ATT0
04H	AOUTR ATT Control	ATT7	ATT6	ATT5	ATT4	ATT3	ATT2	ATT1	ATT0

Notes:

For address from 05H to 1FH, data must not be written.

When PDN pin goes “L”, the registers are initialized to their default values.

When RSTN bit goes “0”, the only internal timing is reset and the registers are not initialized to their default values. DIF0-2 bits are ORed with pins respectively.

■ Register Definitions

Addr	Register Name	D7	D6	D5	D4	D3	D2	D1	D0
00H	Control 1	ACKS	CKS2	CKS1	CKS0	DIF2	DIF1	DIF0	RSTN
	default	1	0	0	0	0	0	0	1

RSTN: Internal timing reset

0: Reset. All registers are not initialized.

1: Normal Operation

When the states of CKS2-0 or DFS1-0 change, the AK4395 should be reset by PDN pin or RSTN bit.

DIF2-0: Audio data interface modes (see Table 8)

Initial: “000”, Mode 0

Register bits are ORed with DIF2-0 pins if P/S = “L”.

CKS2-0: Master Clock Frequency Select (see Table 2)

Initial: “000”, Mode 0

ACKS: Master Clock Frequency Auto Setting Mode Enable

0: Disable, Manual Setting Mode

1: Enable, Auto Setting Mode

Master clock frequency is detected automatically at ACKS bit “1”. In this case, the setting of CKS2-0 and DFS1-0 are ignored. When this bit is “0”, CKS2-0 and DFS1-0 set the master clock frequency.

Addr	Register Name	D7	D6	D5	D4	D3	D2	D1	D0
01H	Control 2	DZFE	DZFM	SLOW	DFS1	DFS0	DEM1	DEM0	SMUTE
	default	0	0	0	0	0	0	1	0

SMUTE: Soft Mute Enable

0: Normal operation

1: DAC outputs soft-muted

DEM1-0: De-emphasis response (see Table 9)

Initial: “01”, OFF

DFS1-0: Sampling Speed Control

00: Normal Speed Mode

01: Double Speed Mode

10: Quad Speed Mode

SLOW: Slow Roll-off Filter Enable
 0: Sharp Roll-off Filter
 1: Slow Roll-off Filter

DZFE: Data Zero Detect Enable
 0: Disable
 1: Enable

Zero detect function can be disabled by DZFE bit "0". In this case, the DZF pins of all channels are always "L".

DZFM: Data Zero Detect Mode

0: Channel Separated Mode
 1: Channel ANDED Mode

If the DZFM bit is set to "1", the DZF pins of all channels go to "H" only when the input data at all channels are continuously zeros for 8192 LRCK cycles.

Addr	Register Name	D7	D6	D5	D4	D3	D2	D1	D0
02H	Output Gain	GA1	GA0	0	0	0	DZFB	0	0
	default	1	1	0	0	0	0	0	0

DZFB: Inverting Enable of DZF

0: DZF goes "H" at Zero Detection
 1: DZF goes "L" at Zero Detection

GA1-0: Output Gain Control

00: -1.16dB
 01: -2.18dB
 10: +1.34dB
 11: 0dB

Addr	Register Name	D7	D6	D5	D4	D3	D2	D1	D0
03H	AOUTL ATT Control	ATT7	ATT6	ATT5	ATT4	ATT3	ATT2	ATT1	ATT0
04H	AOUTR ATT Control	ATT7	ATT6	ATT5	ATT4	ATT3	ATT2	ATT1	ATT0
	default	1	1	1	1	1	1	1	1

ATT7-0: Attenuation Level

256 levels, 0.5dB step

Data	Attenuation
FFH	0dB
FEH	-0.5dB
FDH	-1.0dB
:	:
:	:
02H	-126.5dB
01H	-127.0dB
00H	MUTE (-∞)

The transition between set values is soft transition of 7425 levels. It takes 7424/fs (168ms@fs=44.1kHz) from FFH (0dB) to 00H (MUTE). If PDN pin goes to "L", the ATTs are initialized to FFH. The ATTs are FFH when RSTN = "0". When RSTN return to "1", the ATTs fade to their current value. This digital attenuator is independent of soft mute function.

SYSTEM DESIGN

Figure 9 and 10 show the system connection diagram. The output filter circuits are shown in Figure 12 and Figure 13. An evaluation board (AKD4395) is available which demonstrates the optimum layout, power supply arrangements and measurement results.

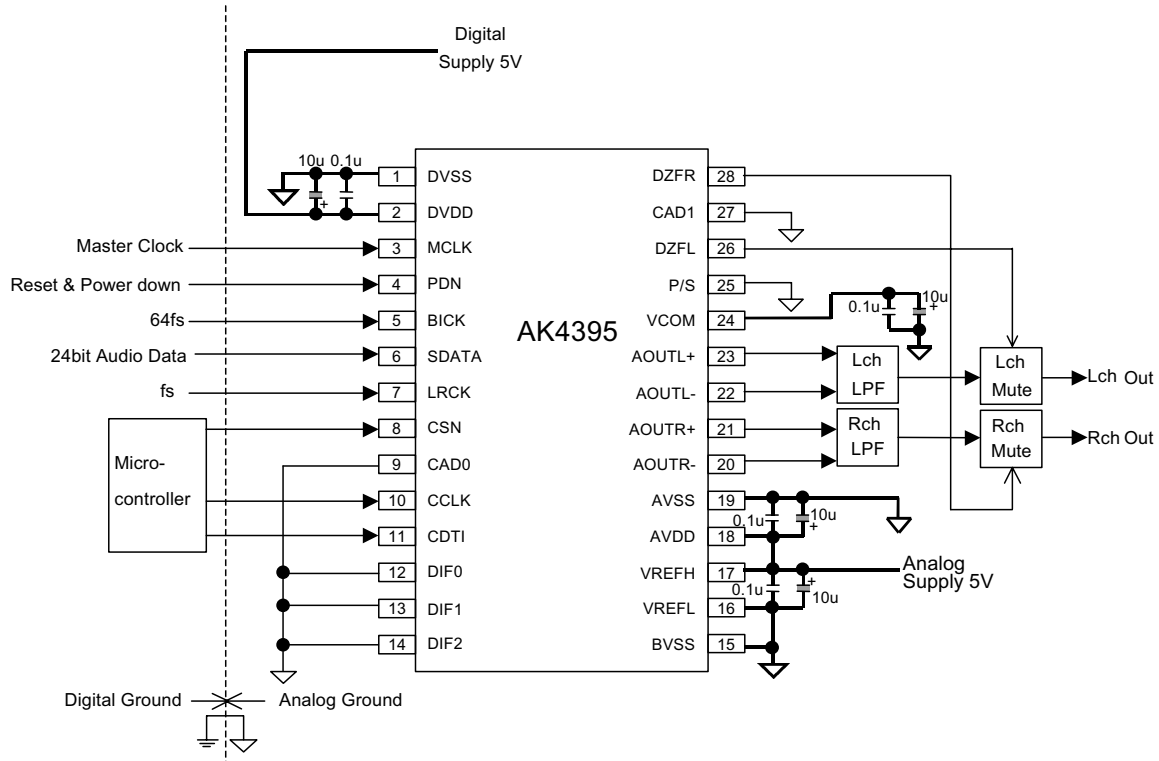


Figure 9. Typical Connection Diagram (Serial Mode, Chip Address = "00")

Notes:

- LRCK = fs, BICK = 64fs.
- Power lines of AVDD and DVDD should be distributed separately from the point with low impedance of regulator etc.
- AVSS, BVSS and DVSS must be connected to the same analog ground plane.
- When AOUT drives some capacitive load, some resistor should be added in series between AOUT and capacitive load.
- All input pins except pull-down/pull-up pins should not be left floating.

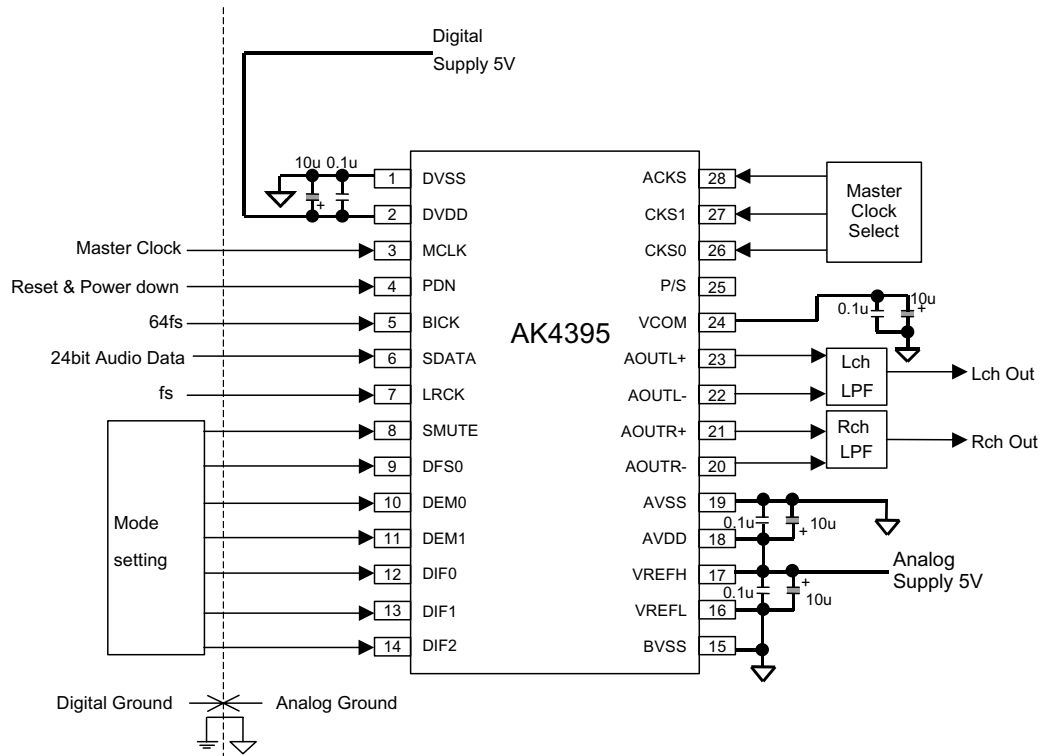


Figure 10. Typical Connection Diagram (Parallel mode)

Notes:

- LRCK = fs, BICK = 64fs.
- Power lines of AVDD and DVDD should be distributed separately from the point with low impedance of regulator etc.
- AVSS, BVSS and DVSS must be connected to the same analog ground plane.
- When AOUT drives some capacitive load, some resistor should be added in series between AOUT and capacitive load.
- All input pins except pull-down/pull-up pins should not be left floating.

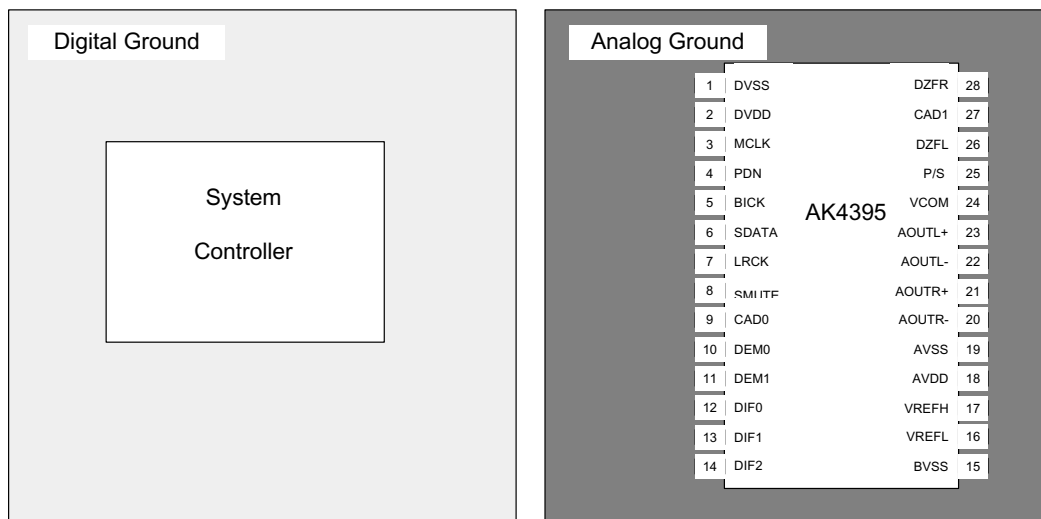


Figure 11. Ground Layout

1. Grounding and Power Supply Decoupling

To minimize coupling by digital noise, decoupling capacitors should be connected to AVDD and DVDD, respectively. AVDD is supplied from analog supply in system and DVDD is supplied from digital supply in system. If AVDD and DVDD are supplied separately, the power up sequence is not critical. **AVSS, BVSS and DVSS must be connected to analog ground plane.** System analog ground and digital ground should be connected together near to where the supplies are brought onto the printed circuit board. Decoupling capacitors for high frequency should be placed as near as possible.

2. Voltage Reference

The differential Voltage between VREFH and VREFL set the analog output range. VREFH pin is normally connected to AVDD and VREFL pin is normally connected to AVSS. VREFH and VREFL should be connected with a 0.1 μ F ceramic capacitor. VCOM is a signal ground of this chip. An electrolytic capacitor 10 μ F parallel with a 0.1 μ F ceramic capacitor attached to VCOM pin eliminates the effects of high frequency noise. No load current may be drawn from VCOM pin. All signals, especially clocks, should be kept away from the VREFH, VREFL and VCOM pins in order to avoid unwanted coupling into the AK4395.

3. Analog Outputs

The analog outputs are full differential outputs and 2.4Vpp (typ@VREF=5V) centered around VCOM. The differential outputs are summed externally, $V_{AOUT} = (AOUT+) - (AOUT-)$ between AOUT+ and AOUT-. If the summing gain is 1, the output range is 4.8Vpp (typ@VREF=5V). The bias voltage of the external summing circuit is supplied externally. The input data format is 2's complement. The output voltage (V_{AOUT}) is a positive full scale for 7FFFFFFH (@24bit) and a negative full scale for 800000H (@24bit). The ideal V_{AOUT} is 0V for 000000H (@24bit).

The internal switched-capacitor filters attenuate the noise generated by the delta-sigma modulator beyond the audio passband.

Figure 12 shows an example of external LPF circuit summing the differential outputs by an op-amp. Figure 13 shows an example of differential outputs and LPF circuit example by three op-amps.

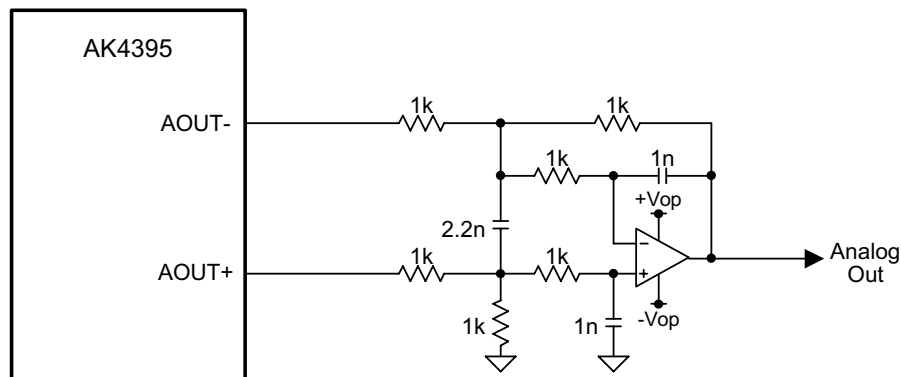


Figure 12. External LPF Circuit Example 1

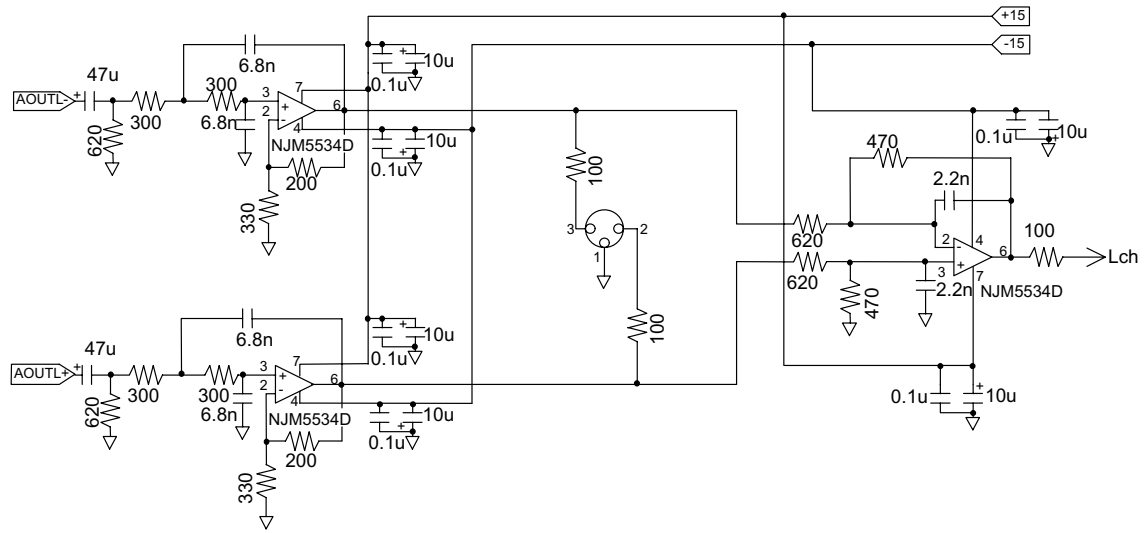
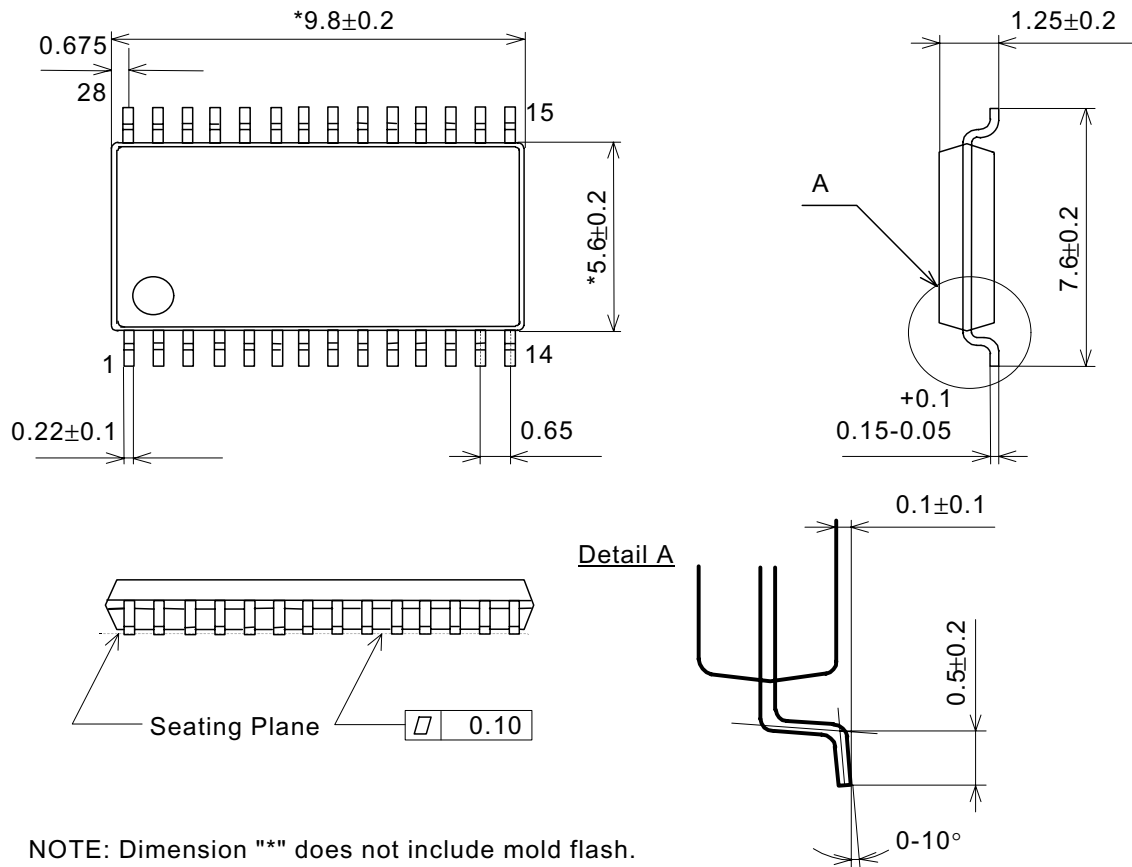


Figure 13. External LPF Circuit Example 2

PACKAGE

28pin VSOP (Unit: mm)

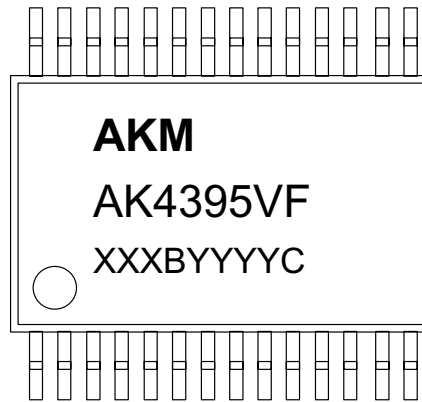


NOTE: Dimension "*" does not include mold flash.

■ **Material & Lead finish**

Package molding compound:	Epoxy
Lead frame material:	Cu
Lead frame surface treatment:	Solder plate

MARKING



XXXXBYYYYC data code identifier

XXXB: Lot number (X : Digit number, B : Alpha character)
 YYYYYC: Assembly date (Y : Digit number C : Alpha character)

IMPORTANT NOTICE

- These products and their specifications are subject to change without notice. Before considering any use or application, consult the Asahi Kasei Microsystems Co., Ltd. (AKM) sales office or authorized distributor concerning their current status.
- AKM assumes no liability for infringement of any patent, intellectual property, or other right in the application or use of any information contained herein.
- Any export of these products, or devices or systems containing them, may require an export license or other official approval under the law and regulations of the country of export pertaining to customs and tariffs, currency exchange, or strategic materials.
- AKM products are neither intended nor authorized for use as critical components in any safety, life support, or other hazard related device or system, and AKM assumes no responsibility relating to any such use, except with the express written consent of the Representative Director of AKM. As used here:
 - (a) A hazard related device or system is one designed or intended for life support or maintenance of safety or for applications in medicine, aerospace, nuclear energy, or other fields, in which its failure to function or perform may reasonably be expected to result in loss of life or in significant injury or damage to person or property.
 - (b) A critical component is one whose failure to function or perform may reasonably be expected to result, whether directly or indirectly, in the loss of the safety or effectiveness of the device or system containing it, and which must therefore meet very high standards of performance and reliability.
- It is the responsibility of the buyer or distributor of an AKM product who distributes, disposes of, or otherwise places the product with a third party to notify that party in advance of the above content and conditions, and the buyer or distributor agrees to assume any and all responsibility and liability for and hold AKM harmless from any and all claims arising from the use of said product in the absence of such notification.