

DESCRIPTION

The Accutek family of PGA Adapter Modules are designed to permit the soldering of surface mount PLCC, QFP, TQFP, PQFP devices into a standard PGA through-hole PC board. These PGA Adapter Modules are a pin compatible drop in replacement for end-of-life PGA devices. Standard pin counts include 28, 32, 44, 52, 68, 84 and 100 pins. Can accommodate square and rectangular PLCCs with 0.050" lead pitch and sizes from 0.600" to 1.500". They also accommodate Quad Flat Packs with 0,5mm and 0,65mm lead pitch. They feature 0.018" diameter machined pins with integral standoffs. Plating options are tin, solder or gold pins.

Accutek PGA Adapters were developed for users with motherboard designs that require PGA's, now obsoleted by manufacturers. These adapter modules are designed for soldering directly into a through-hole PC board and save costly motherboard redesigns.

Accutek PGA Adapter Modules are fully assembled and tested. They can be manufactured turnkey or from customer supplied surface mount chips.

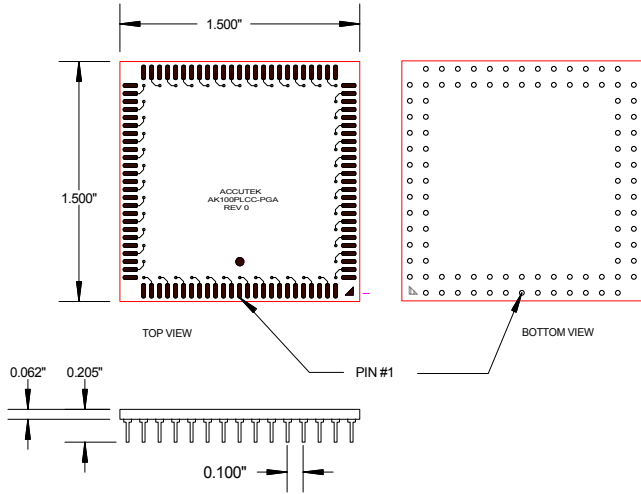
Custom multi-chip and double sided configurations are also available for special functions.

Features

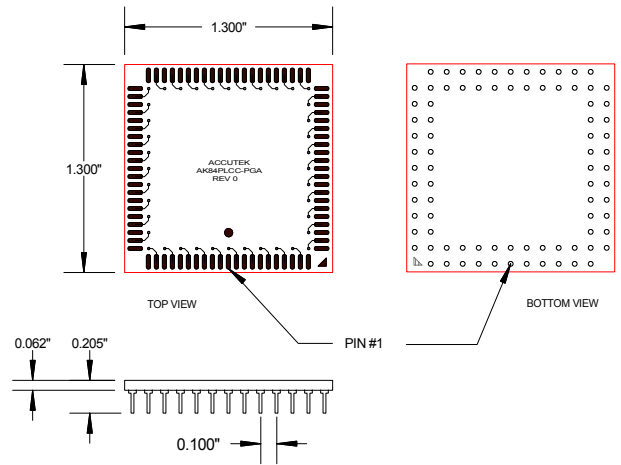
- Saves costly redesign of current motherboards
- Fully tested with life time limited warranty
- Standard pin counts include 28, 32, 44, 52, 68, 84 and 100
- Tin, solder or gold plated pins available
- 0.018" diameter machined PGA pins with integral standoffs, custom sizes available
- IC assembly and testing available
- EPROM and Flash programming available
- Custom multi-chip and double-sided modules available

Accutek reserves the right to make changes in specifications at any time and without notice. Accutek does not assume any responsibility for the use of any circuitry described; no circuit patent licenses are implied. Preliminary data sheets contain minimum and maximum limits based upon design objectives, which are subject to change upon full characterization over the specific operating conditions.

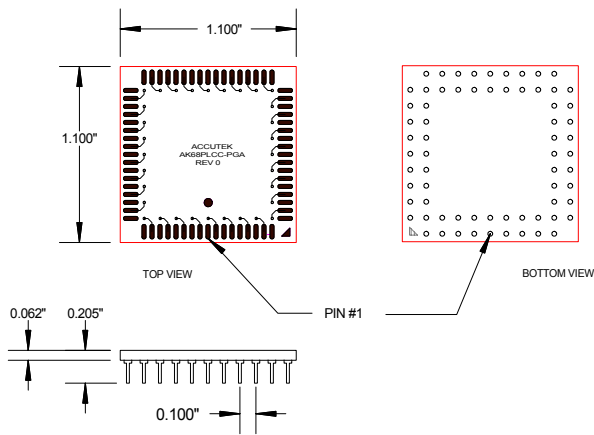
AK100PLCC-PGA
100 PIN PLCC TO PIN GRID ARRAY



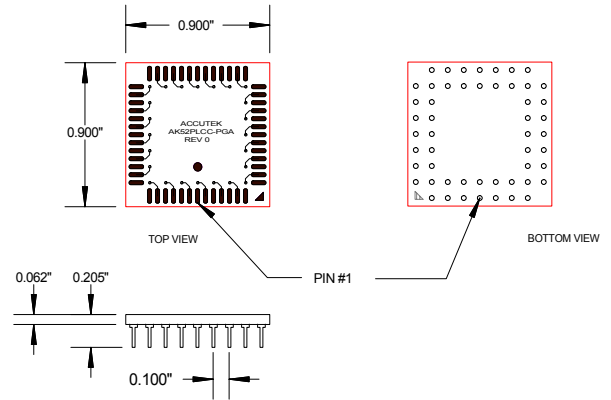
AK84PLCC-PGA
84 PIN PLCC TO PIN GRID ARRAY



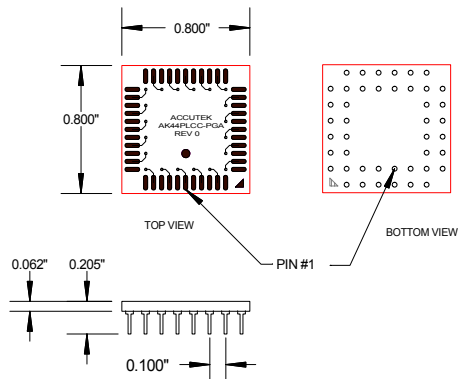
AK68PLCC-PGA
68 PIN PLCC TO PIN GRID ARRAY



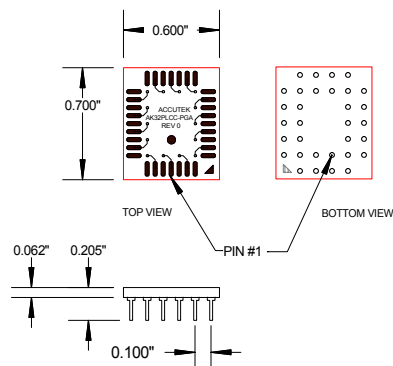
AK52PLCC-PGA
52 PIN PLCC TO PIN GRID ARRAY



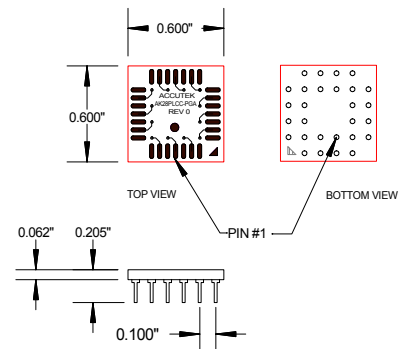
AK44PLCC-PGA
44 PIN PLCC TO PIN GRID ARRAY



AK32PLCC-PGA
32 PIN PLCC TO PIN GRID ARRAY

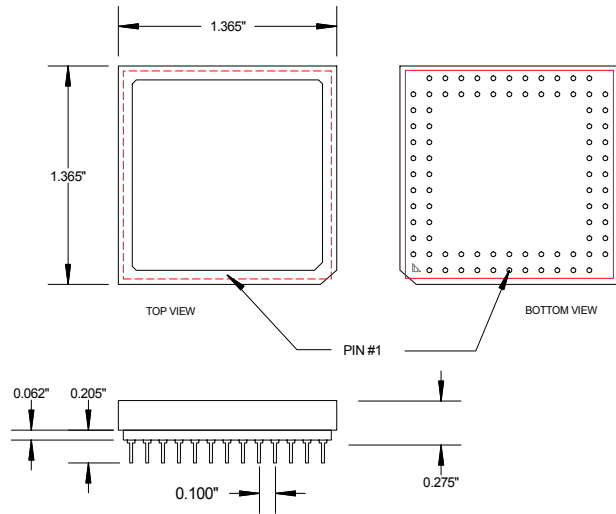


AK28PLCC-PGA
28 PIN PLCC TO PIN GRID ARRAY

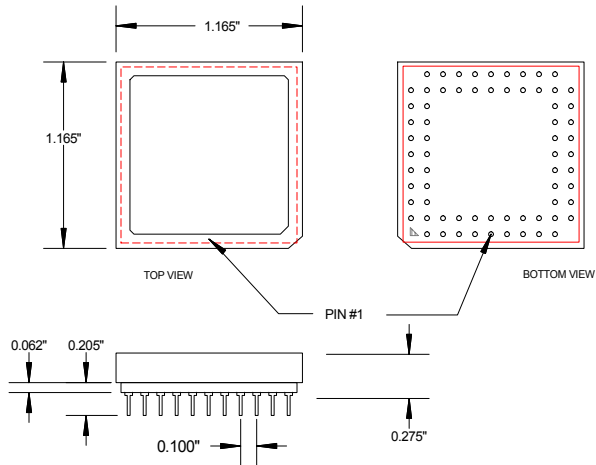


A PLCC SOCKET CAN BE ADDED TO MOST OF OUR PLCC TO PGA ADAPTERS

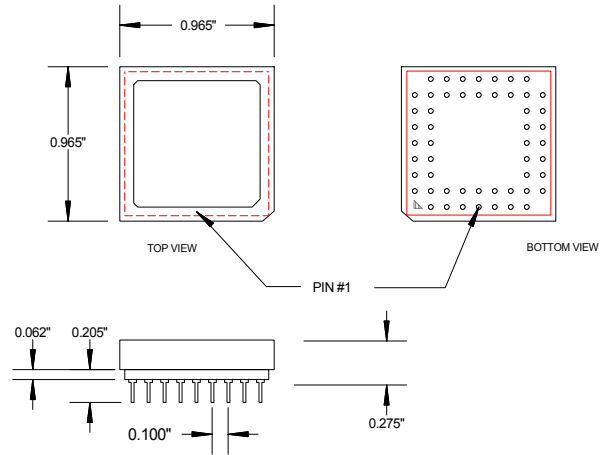
AK84PCS-PGA (with PLCC Socket included) 84 PIN PLCC SOCKET TO PIN GRID ARRAY



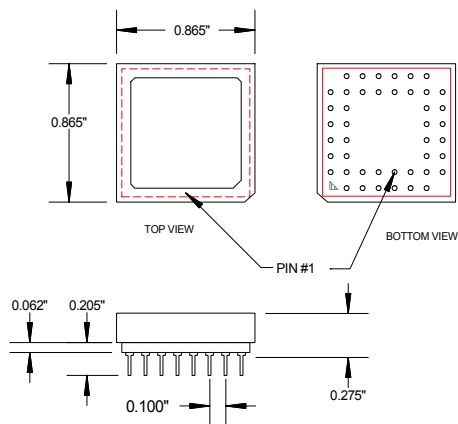
AK68PCS-PGA (with PLCC Socket included) 68 PIN PLCC SOCKET TO PIN GRID ARRAY



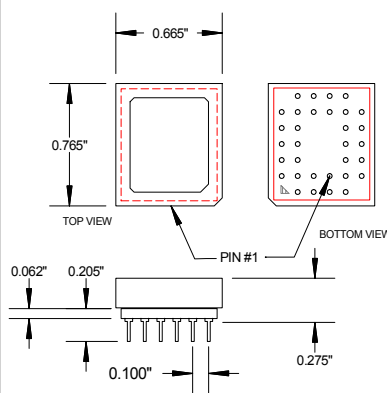
AK52PCS-PGA (with PLCC Socket included) 52 PIN PLCC SOCKET TO PIN GRID ARRAY



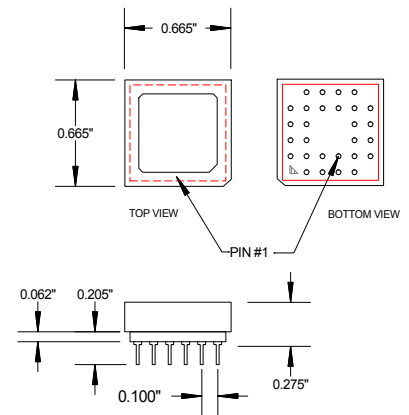
AK44PCS-PGA (with PLCC Socket included) 44 PIN PLCC SOCKET TO PIN GRID ARRAY



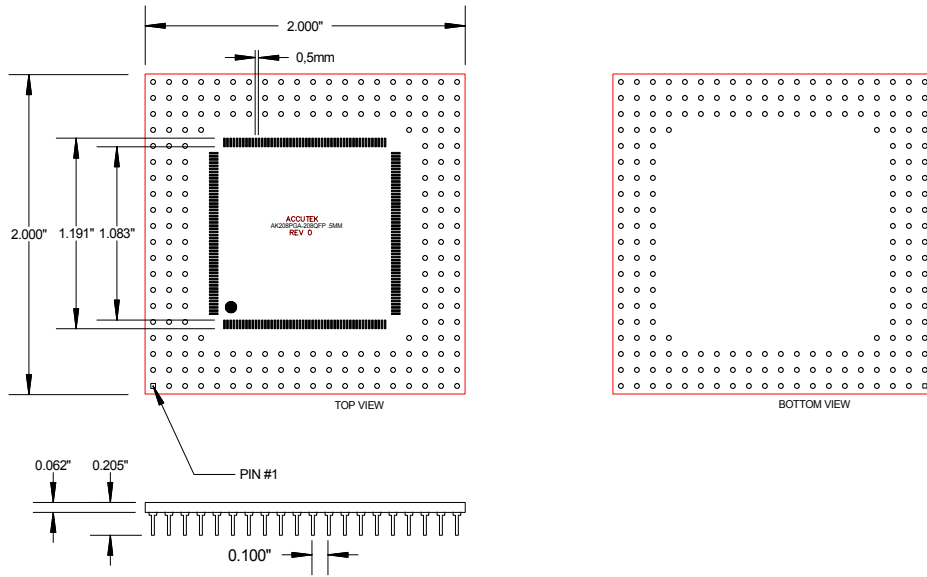
AK32PCS-PGA (with PLCC Socket included) 32 PIN PLCC SOCKET TO PIN GRID ARRAY



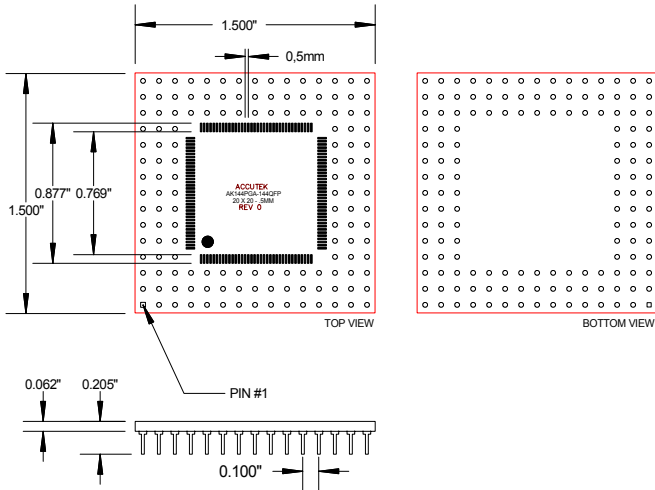
AK28PCS-PGA (with PLCC Socket included) 28 PIN PLCC SOCKET TO PIN GRID ARRAY



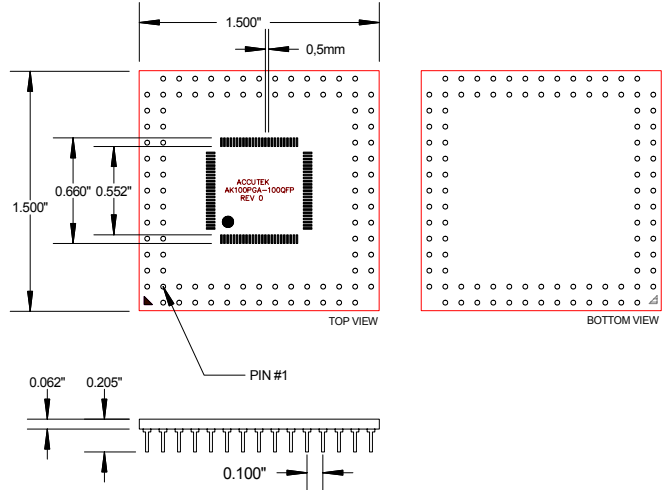
AK208PGA-208QFP.5MM
208 PIN .5MM QFP TO PIN GRID ARRAY



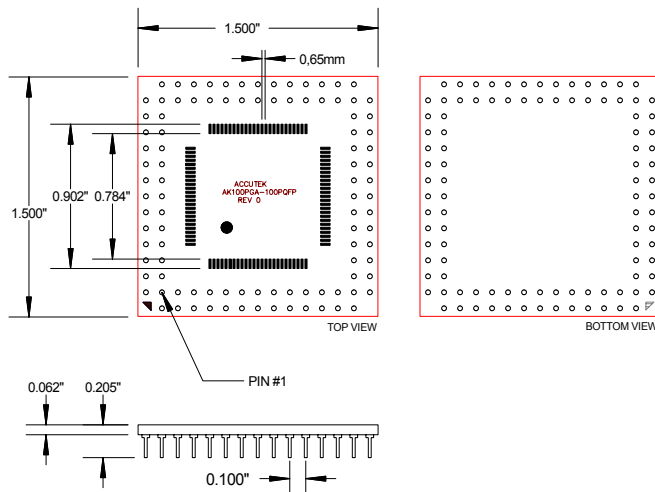
AK144PGA-144QFP.5MM
144 PIN .5MM QFP TO PIN GRID ARRAY



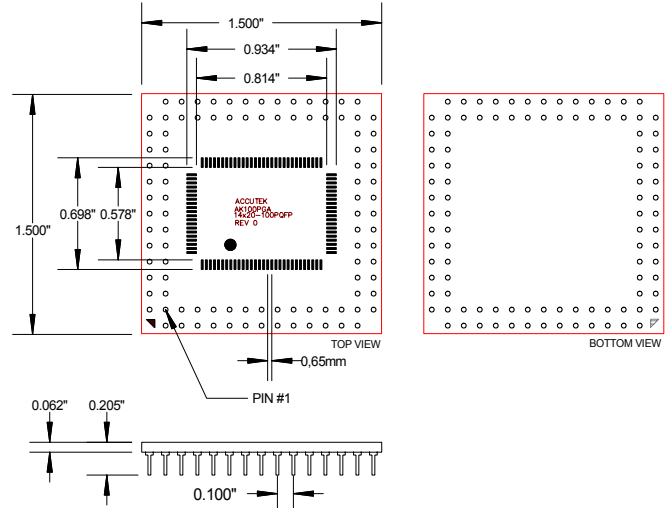
AK100PGA-100QFP
100 PIN .5MM QFP TO PIN GRID ARRAY



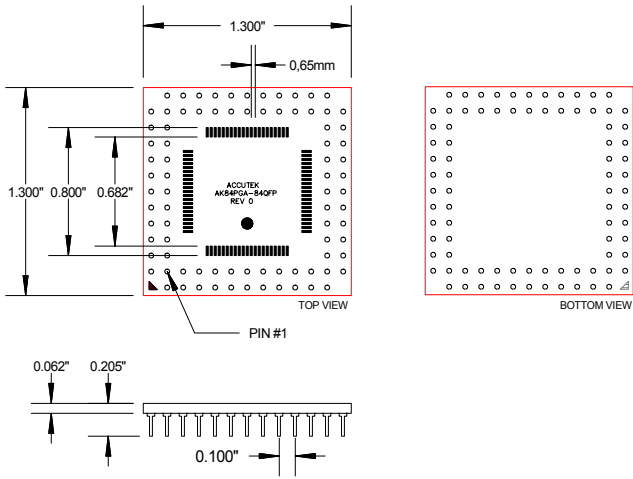
AK100PGA-100PQFP
100 PIN .65MM PQFP TO PIN GRID ARRAY



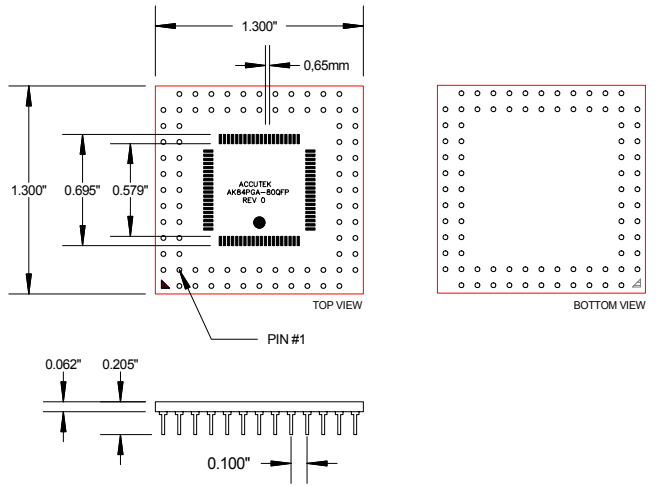
AK100PGA-14x20-100PQFP
100 PIN .65MM 14x20 PQFP TO PIN GRID ARRAY



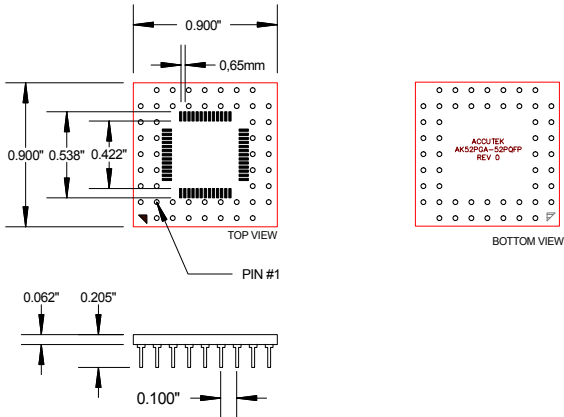
AK84PGA-84QFP
84 PIN QFP TO 84 PIN GRID ARRAY



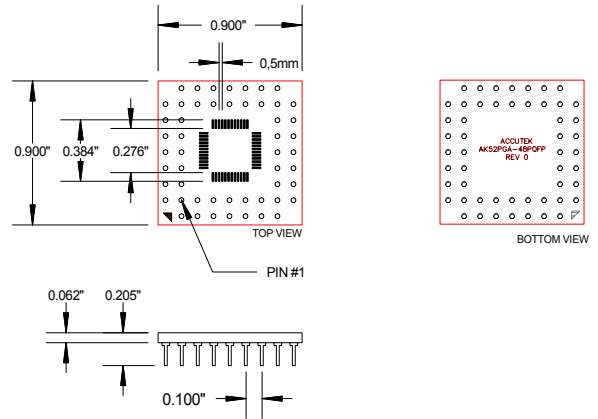
AK84PGA-80QFP
80 PIN QFP TO 84 PIN GRID ARRAY



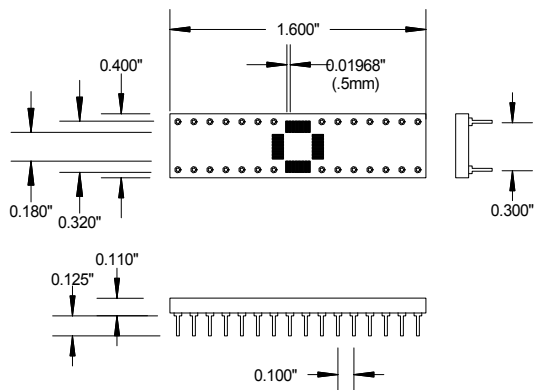
AK52PGA-52PQFP
52 PIN PQFP TO PIN GRID ARRAY



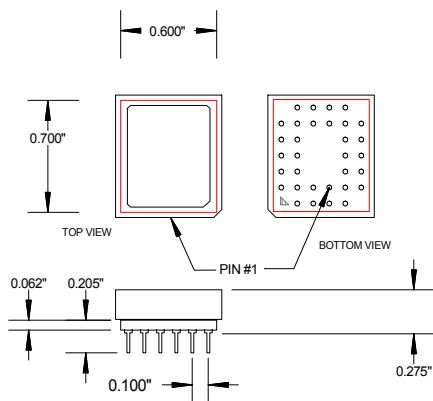
AK52PGA-48PQFP
48 PIN PQFP TO 52 PIN GRID ARRAY



AK32D-QFP5X5
32 PIN QFP 5 x 5mm TO DIP

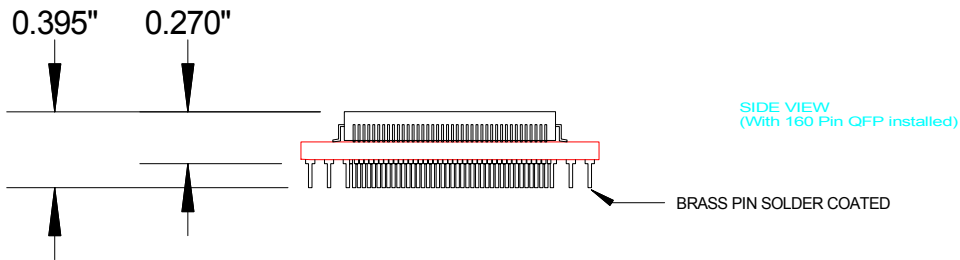
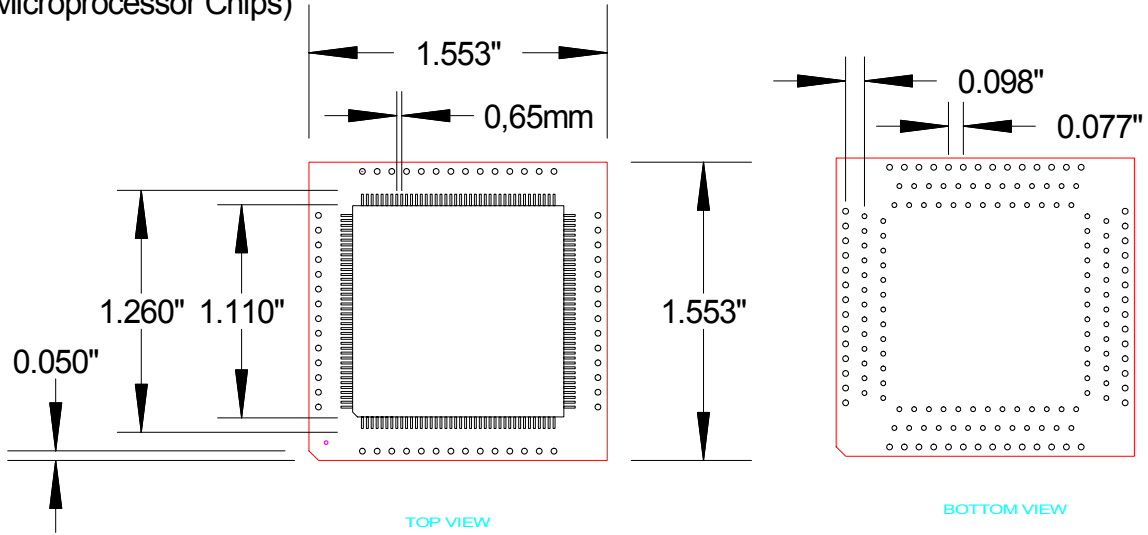


AK32PCS-PGA
(with PLCC Socket included)
32 PIN PLCC SOCKET TO PIN GRID ARRAY



SPECIAL APPLICATION ADAPTERS

160 PIN PGA BOARD
 (for attachment of 160 Pin PQFP
 Microprocessor Chips)



AK48TSOP-DIP
48 PIN DIP ADAPTER
FOR FLASH CHIPS

