

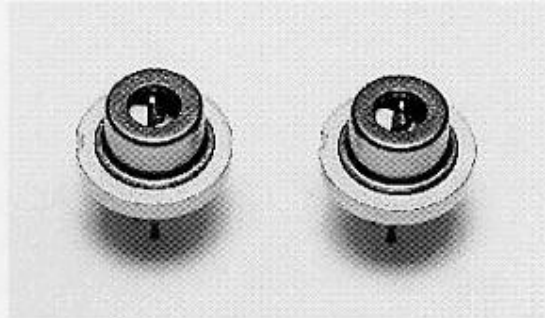
HAMAMATSU

preliminary data

755nm CW Laser Diode L7910

■ Applications

Laser Beam Printer
Medical Instruments



■ Optical & Electrical Characteristics

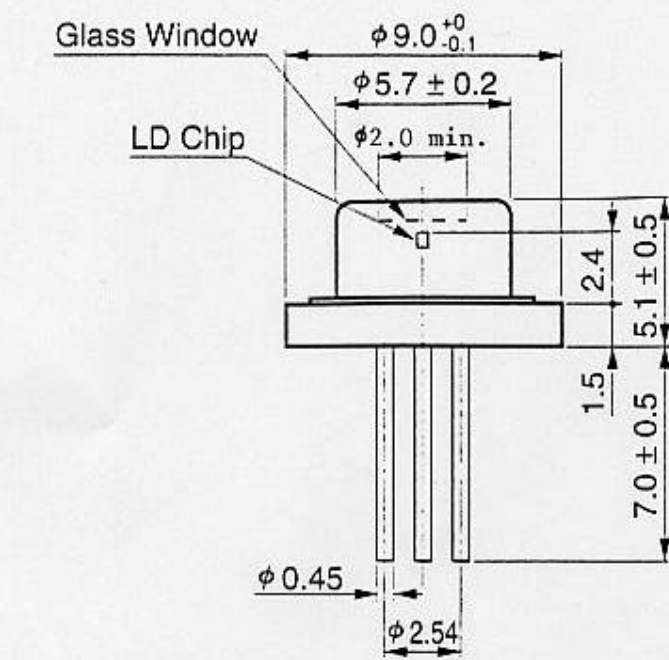
Radiant Power :	4mW typ. 6mW max.
Peak Emission Wavelength :	755nm (Single Mode) at 25°C
Emission Area :	1 x 5µm
Beam Spread Angle / element :	Parallel 7° typ. Vertical 36° typ.
Forward Current :	60mA at 4mW
Threshold Current :	35mA typical
Monitor PD Current :	1.5mA at 4mW

■ **Package** 9.0mm Dia. Flange CD Package (9.0CD)

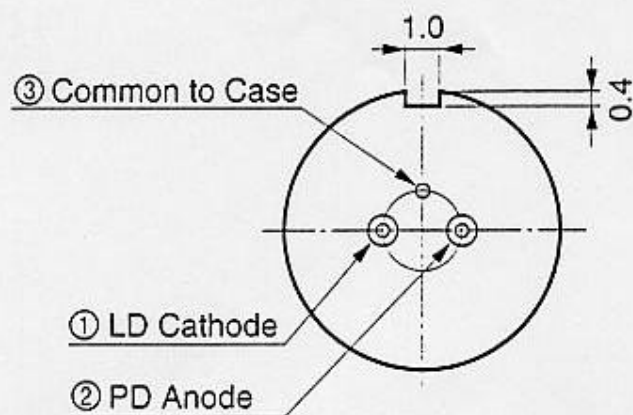
■ Temperature Characteristics

Operating Temperature :	-10 to +70°C
Storage Temperature :	-25 to +80°C

■ DIMENSIONAL OUTLINE (Unit:mm)

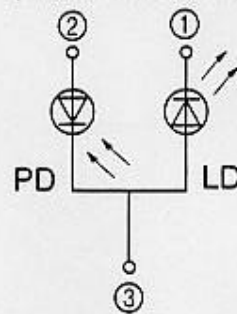


Side View



Bottom View

(Pin Connection)



- ① LD Cathode
- ② PD Anode
- ③ Common to Case