

## *Micro Commercial Components Corp.*

### Products End of Life Notification

Issue date: Sept-1<sup>st</sup>-2009

EOL No#: 122209-E

Last Buy Date :N/A

Description and Purpose:

MCC has undergone a review of its core business and products , and  
determined to discontinue below products:

Discontinued Devices	Possible Replacements
MC78L15BP	N/A



Micro Commercial Components

Micro Commercial Components  
 20736 Marilla Street Chatsworth  
 CA 91311  
 Phone: (818) 701-4933  
 Fax: (818) 701-4939

# MC78L15BP

## Features

- Case Material: Molded Plastic. UL Flammability Classification Rating 94-0 and MSL Rating 1
- Internal Short Circuit Current Limiting
- Internal Thermal Overload Protection
- No External Components Required
- Lead Free Finish/RoHS Compliant ("P" Suffix designates RoHS Compliant. See ordering information)

## Absolute Maximum Ratings

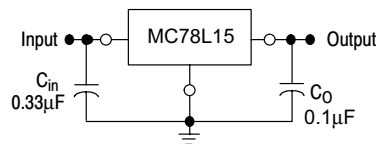
Parameter	Symbol	Value	Unit
Input Voltage	$V_{in}$	35	V
Operating Junction Temperature	$T_{OPR}$	0---+125	°C
Storage Temperature Range	$T_{STG}$	-55---+150	°C

## Electrical Characteristics ( $V_i=23V, I_o=40mA, 0^\circ C < T_j < 125^\circ C, C_1=0.33\mu F, C_o=0.1\mu F$ , unless otherwise specified)

Parameter	Sym	Min	Typ	Max	Test conditions
Output Voltage	$V_o$	14.4V	15.0V	15.6V	
Load Regulation	$V_o - I_o$		25mV	150mV	$I_o=1mA-100mA, V_i=23V$
Line regulation	$V_o - V_i$		65mV	300mV	$17.5V \leq V_i \leq 30V, I_o=40mA$
Quiescent Current	$I_q$		4.6mA	6.5mA	
Output Noise Voltage	$V_N$		82 $\mu$ V		$10Hz \leq f \leq 100KHz$
Ripple Rejection	RR	34dB	39dB		$18.5V \leq V_i \leq 28.5V, f=120Hz$

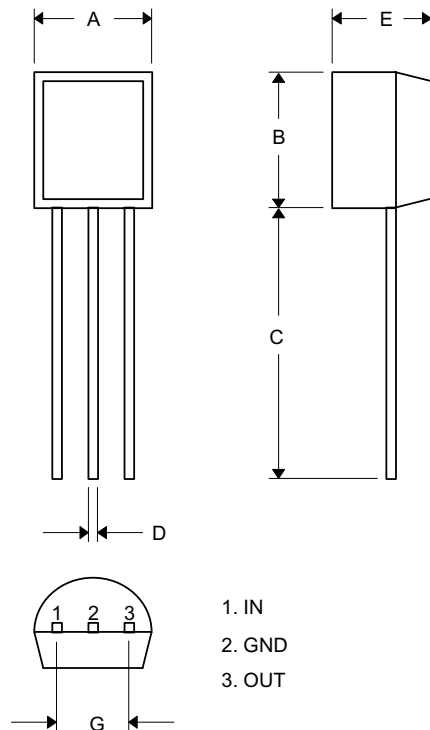
\*Note: Bypass Capacitors are recommended for optimum stability and transient response and should be located as close as possible to the regulators

### Typical Application:



## Three-Terminal Low Current Negative Voltage Regulator

### TO-92



DIM	DIMENSIONS				NOTE
	INCHES		MM		
A	.175	.185	4.45	4.70	
B	.175	.185	4.46	4.70	
C	.500	---	12.7	---	
D	.016	.020	0.41	0.63	
E	.135	.145	3.43	3.68	
G	.095	.105	2.42	2.67	



Micro Commercial Components

## Ordering Information

Device	Packing
(Part Number)-AP	Ammo Packing;2Kpcs/AmmoBox
(Part Number)-BP	Bulk;1Kpcs/Bag

**\*\*\*IMPORTANT NOTICE\*\*\***

*Micro Commercial Components Corp.* reserves the right to make changes without further notice to any product herein to make corrections, modifications, enhancements, improvements, or other changes. *Micro Commercial Components Corp.* does not assume any liability arising out of the application or use of any product described herein; neither does it convey any license under its patent rights, nor the rights of others. The user of products in such applications shall assume all risks of such use and will agree to hold *Micro Commercial Components Corp.* and all the companies whose products are represented on our website, harmless against all damages.

**\*\*\*APPLICATIONS DISCLAIMER\*\*\***

Products offer by *Micro Commercial Components Corp.* are not intended for use in Medical, Aerospace or Military Applications.

[www.mccsemi.com](http://www.mccsemi.com)