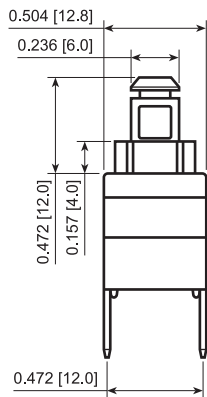
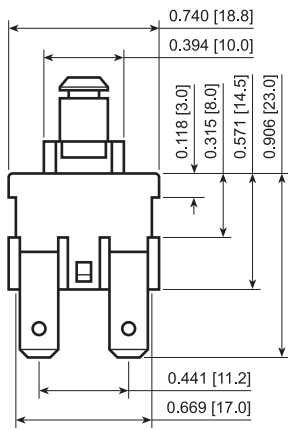
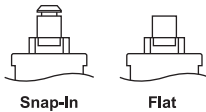


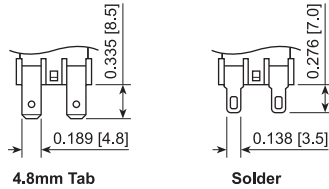
PA5 Series



Actuator Options



Terminal Options



FEATURES:

- Durable, Robust and Economical
- Easily Customized Actuator
- High Power Ratings
- Engineered For Use as a Foot Switch
- Popular Industry Design

SPECIFICATIONS:

RATING: RATING OPTION C:
16A 125/250VAC [UL, cUL]
16(4)A 250V~ 1E4 T125/55 [ENEC]

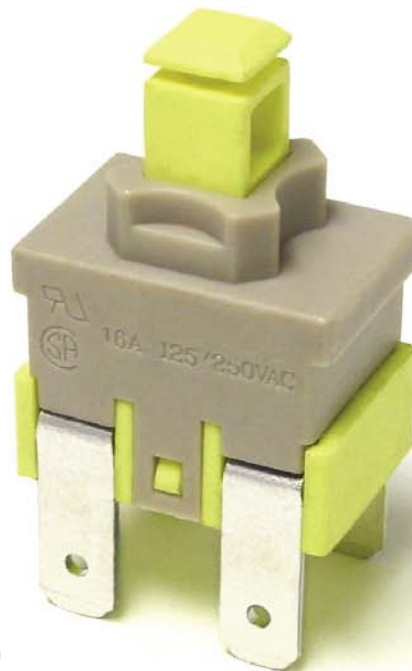
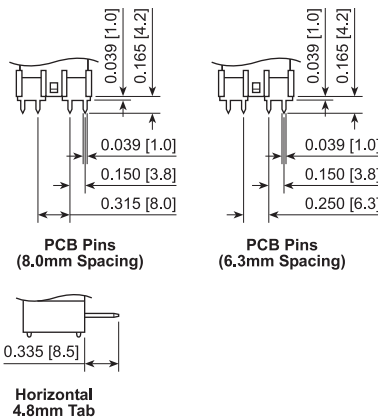
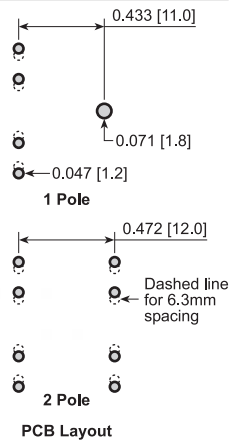
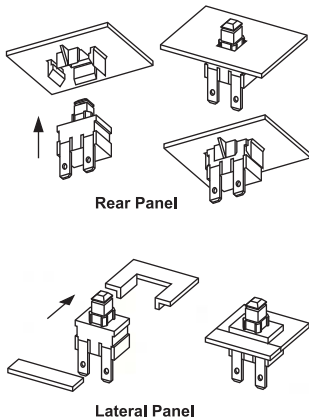
RATING OPTION J:
16A 125/250VAC [UL, cUL]
16(8)A 250V~ 1E4 T125/55 [ENEC]

TEMPERATURE: -20°C to 125°C
ELECTRICAL LIFE: 10,000 Cycles
CONTACT RESISTANCE: 20mΩ Max. at 1A 5VDC
INSULATION RESISTANCE: 100MΩ Min. at 500VDC
DIELECTRIC STRENGTH: 1,000VAC for 1 Minute

MATERIALS:

UPPER BODY: Polyamide 6/6, UL94 V-2
LOWER BODY: PBT, UL94 V-2
ACTUATOR: PBT, UL94 V-2
CONTACTS: Silver Alloy
TERMINALS: Silver Plated Copper

Mounting Options



Series	Terminal	Function	Rating
PA5 - Snap-in Actuator	1 - 4.8mm Tab	1 Pole:	C - 16A 125/250AC [UL, CSA]
PA5F - Flat Actuator	2 - Solder	1 - Off-On	16(4)A 250V~ 1E4 [ENEC]
	3 - PCB Pins (8.0mm Spacing)	4 - Off-(On)	J - 16A 125/250AC [UL, CSA]
	4 - PCB Pins (6.3mm Spacing)	2 Pole:	16(8)A 250V~ 1E4 [ENEC]
	5 - Horizontal 4.8mm Tab	2 - Off-On	
		E - Off-(On)	

EXAMPLE PART NUMBERS:

PA511C 1P Off-On
4.8mm Tab Terminals, Snap-In Actuator

PA512C 2P Off-On
4.8mm Tab Terminals, Snap-In Actuator

PA514C 1P Off-(On)
4.8mm Tab Terminals, Snap-In Actuator

PA51EC 2P Off-(On)
4.8mm Tab Terminals, Snap-In Actuator



PUSHBUTTON