

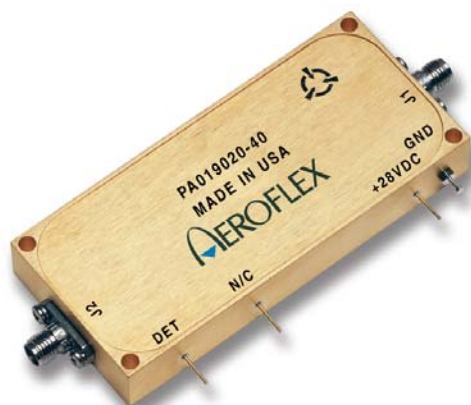
PA019020-40 High Power Amplifier

10 Watts from 1930 to 1990MHz

www.aeroflex.com/bband

February 18, 2009

AEROFLEX
A passion for performance.



DESCRIPTION

The PA019020-40 is a Narrow band high power amplifier and is ideal for use as output amplifier in a wireless transmit system. It provides 10W of PSAT power from 1930 MHz to 1990 MHz. It has a monitor TTL detect pin (DET) which is low (0V) when the output power is less than 22 dBm and high (+5V) for output power of over 23 dBm.

FEATURES

- ❑ PSAT > 40 dBm from 1930 to 1990 MHz
- ❑ 10 dB flat gain
- ❑ Operates from single +28V supply
- ❑ Unconditionally stable
- ❑ Provides TTL output power detect pin
- ❑ Packaging – Hermetic / Non-Hermetic

SPECIFICATIONS

Absolute Maximum Ratings¹

PARAMETER	SYMBOL	MIN	MAX	UNITS
Operating Temperature – Case	T _{MO}	-55	+85	°C
Storage Temperature – Case	T _{MS}	-55	+125	°C
Positive Supply Voltage	V _{+SS}	+27.5	+30	V

1. Stresses above those listed under "Absolute Maximums Rating" may cause permanent damage to the device. This is a stress rating only and functional operation of the device at these or any other conditions above those indicated in the operational sections of this specification is not implied. Exposure to absolute maximum rating conditions for extended periods may affect device reliability.

Nominal Operating Conditions

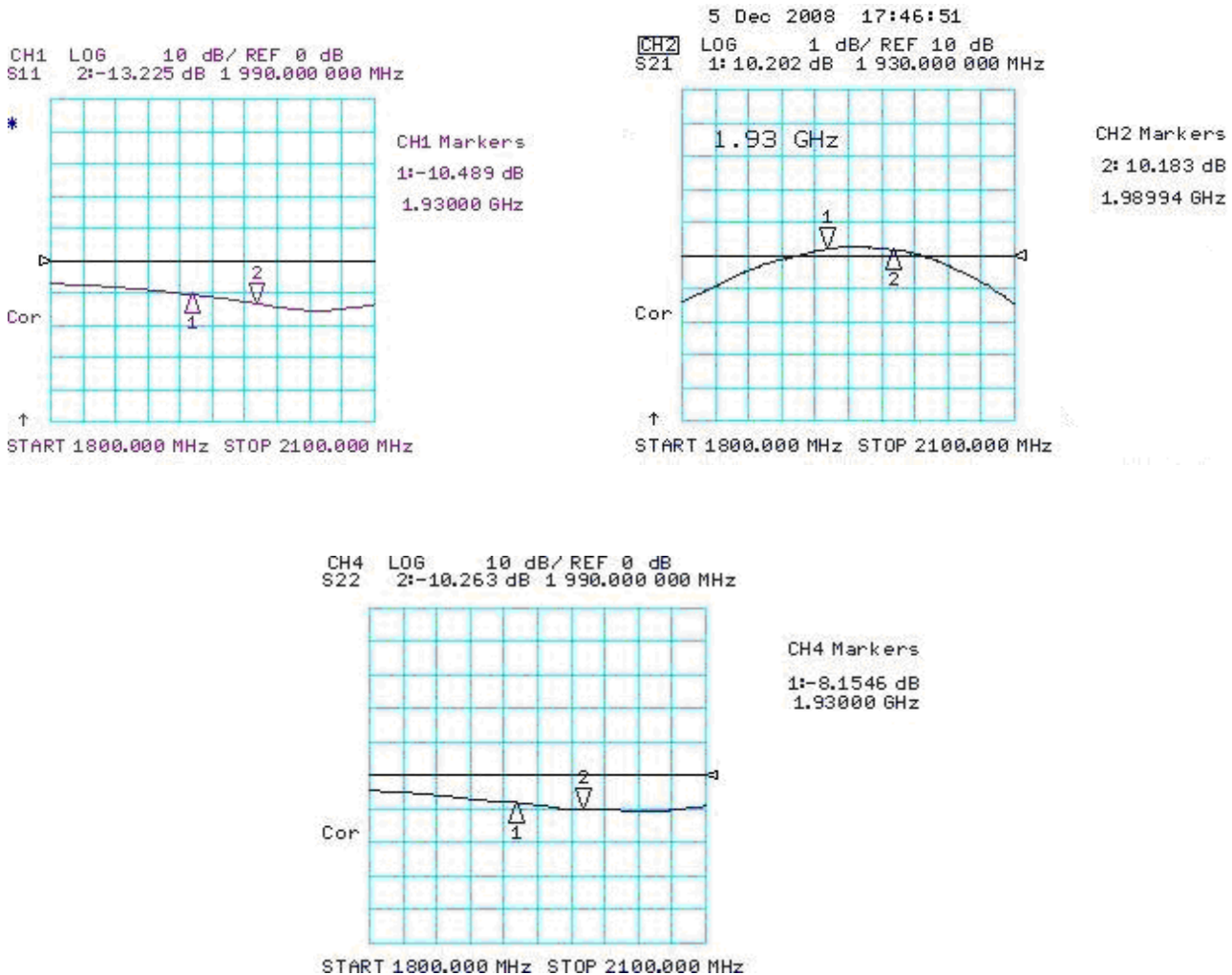
PARAMETER	CONDITIONS	MIN	MAX	UNITS
Temperature, T _O	Full Range	-55	+60	°C
Positive Supply Voltage, V _{PS}		+27.5	+30	V

SPECIFICATIONS

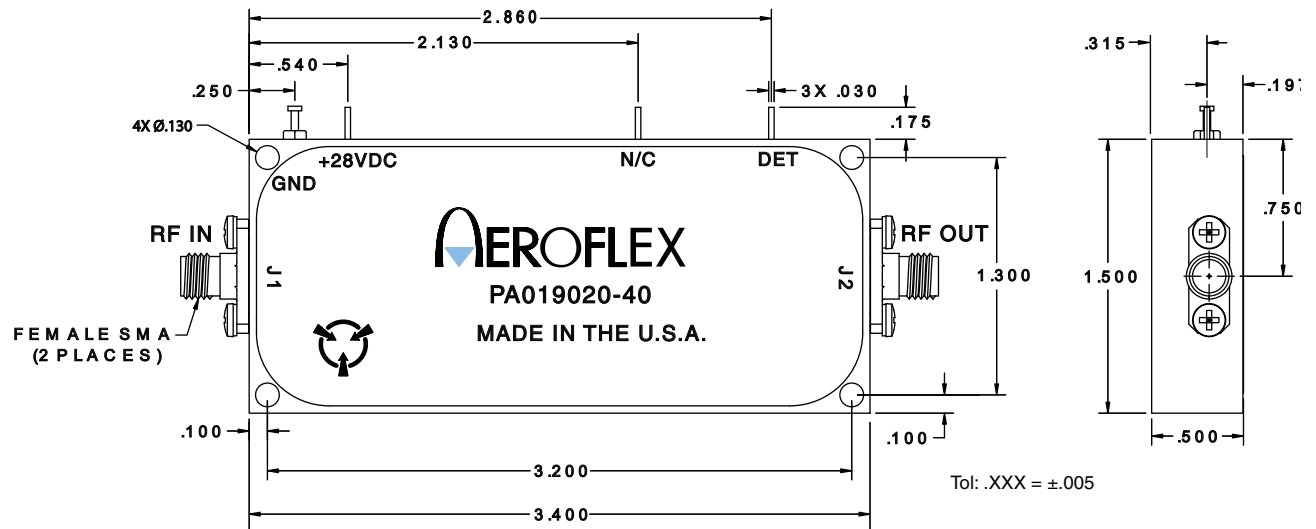
Electrical Characteristics

PARAMETER	CONDITIONS	MIN	TYP	MAX	UNIT
Frequency Range		1930	-	1990	MHz
Power Output	PSAT	-	+40	-	dBm
Gain		-	10	-	dB
Gain Flatness		-0.5	-	+0.5	dB
RF Input Impedance	Reference to 50 ohms	-	2.0:1	-	
RF Output Impedance	Reference to 50 ohms	-	1.3:1	-	
Fault Monitor Output (DET pin)					
TTL "0"	J2 < +22dBm	-	-	-	-
TTL "1" (5V)	J2 ≥ +23dBm	-	-	-	-
Supply Voltage		+27.5	28	+30	V
Supply Current		-	-	1.3	A

S-PARAMETERS



OUTLINE DRAWING



ORDERING INFORMATION

MODEL NUMBER	HERMETICITY	PACKAGE
PA019020-40H	Hermetic	3.4L x 1.5W x .50Ht
PA019020-40	Non Hermetic	

PLAINVIEW, NEW YORK
Toll Free: 800-THE-1553
Fax: 516-694-6715

INTERNATIONAL
Tel: 805-778-9229
Fax: 805-778-1980

NORTHEAST
Tel: 603-888-3975
Fax: 603-888-4585

SE AND MID-ATLANTIC
Tel: 321-951-4164
Fax: 321-951-4254

WEST COAST
Tel: 949-362-2260
Fax: 949-362-2266

CENTRAL
Tel: 719-594-8017
Fax: 719-594-8468

www.aeroflex.com info-ams@aeroflex.com

Aeroflex Microelectronic Solutions reserves the right to change at any time without notice the specifications, design, function, or form of its products described herein. All parameters must be validated for each customer's application by engineering. No liability is assumed as a result of use of this product. No patent licenses are implied.



Our passion for performance is defined by three attributes represented by these three icons: solution-minded, performance-driven and customer-focused